



US00D826430S

(12) **United States Design Patent** (10) **Patent No.:** **US D826,430 S**
Armon (45) **Date of Patent:** **** Aug. 21, 2018**

(54) **ARCHITECTURAL COMPONENT**
(71) Applicant: **Robert A. Armon**, Denver, CO (US)
(72) Inventor: **Robert A. Armon**, Denver, CO (US)
(**) Term: **15 Years**
(21) Appl. No.: **29/627,904**
(22) Filed: **Nov. 30, 2017**

D381,380 S 7/1997 Fireman et al.
D425,276 S 5/2000 George
6,641,453 B1 11/2003 Morales et al.
D519,588 S 4/2006 Carbonero
D532,113 S * 11/2006 Huang D24/214
D563,493 S 3/2008 Nelson et al.
D582,998 S * 12/2008 Chernick D21/398
D596,681 S * 7/2009 Chernick D21/398
D617,395 S * 6/2010 Colangelo D21/492
7,878,733 B2 * 2/2011 Atkinson E02B 3/14
405/25
D685,034 S 6/2013 Naum
8,608,600 B2 * 12/2013 Naum A63B 43/00
473/576
D722,389 S 2/2015 Armon et al.
D752,156 S 3/2016 Armon et al.

Related U.S. Application Data

(62) Division of application No. 29/559,353, filed on Mar. 28, 2016.
(51) **LOC (11) Cl.** **25-01**
(52) **U.S. Cl.**
USPC **D25/113**
(58) **Field of Classification Search**
USPC D25/106, 113; D21/484, 468, 483, 488,
D21/493, 494, 496, 498, 502, 503, 707,
D21/713, 714, 398; D32/35, 40
CPC A63H 33/00; A63H 33/04; A63H 33/048;
A63H 33/08; A63H 33/088; A63H
33/108; A63H 3/00; A63H 3/02
See application file for complete search history.

(Continued)

OTHER PUBLICATIONS

Official Action for U.S. Appl. No. 29/559,353, dated Oct. 4, 2017 6 pages Restriction Requirement.
(Continued)

Primary Examiner — David Muller
(74) *Attorney, Agent, or Firm* — Sheridan Ross P.C.

(57) **CLAIM**

The ornamental design for an architectural component, as shown and described.

(56) **References Cited**

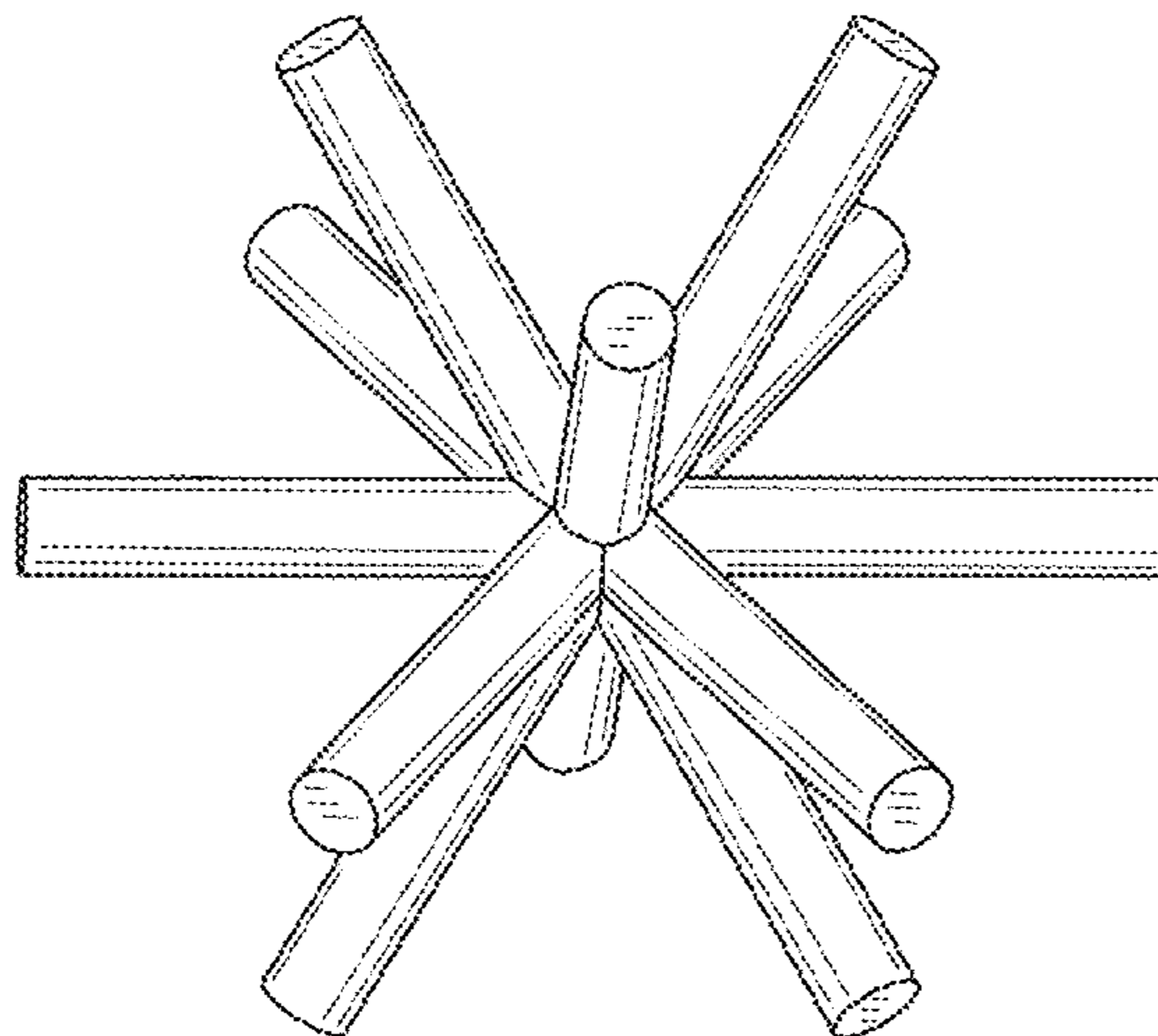
U.S. PATENT DOCUMENTS

3,380,253 A 4/1968 Vita
3,868,115 A * 2/1975 Faiferlick A63F 9/0415
273/146
4,309,038 A * 1/1982 Spoon A63B 65/00
273/146
D286,168 S 10/1986 Mazzoleni
4,819,402 A 4/1989 Schneider
D301,161 S 5/1989 Dunse
5,049,105 A 9/1991 Glickman
D362,874 S 10/1995 Widemon
D372,749 S 8/1996 Klundt
D378,536 S 3/1997 Fireman et al.

DESCRIPTION

FIG. 1 is a perspective view of an architectural component showing my new design;
FIG. 2 is a front elevation view thereof;
FIG. 3 is a right elevation view thereof;
FIG. 4 is a left elevation view thereof;
FIG. 5 is a rear elevation view thereof;
FIG. 6 is a top plan view thereof; and,
FIG. 7 is a bottom plan view thereof.

1 Claim, 7 Drawing Sheets



(56)

References Cited

U.S. PATENT DOCUMENTS

D779,136 S * 2/2017 Eisenbarth D30/160
9,566,520 B2 * 2/2017 Naum A63H 33/18
9,664,512 B2 * 5/2017 Srinivasan G01C 9/10
D792,915 S * 7/2017 Horowitz D15/138
2007/0270233 A1 * 11/2007 Ruston A63B 37/0003
473/280

OTHER PUBLICATIONS

Notice of Allowance for U.S. Appl. No. 29/559,353, dated Jan. 24,
2018 9 pages.

* cited by examiner

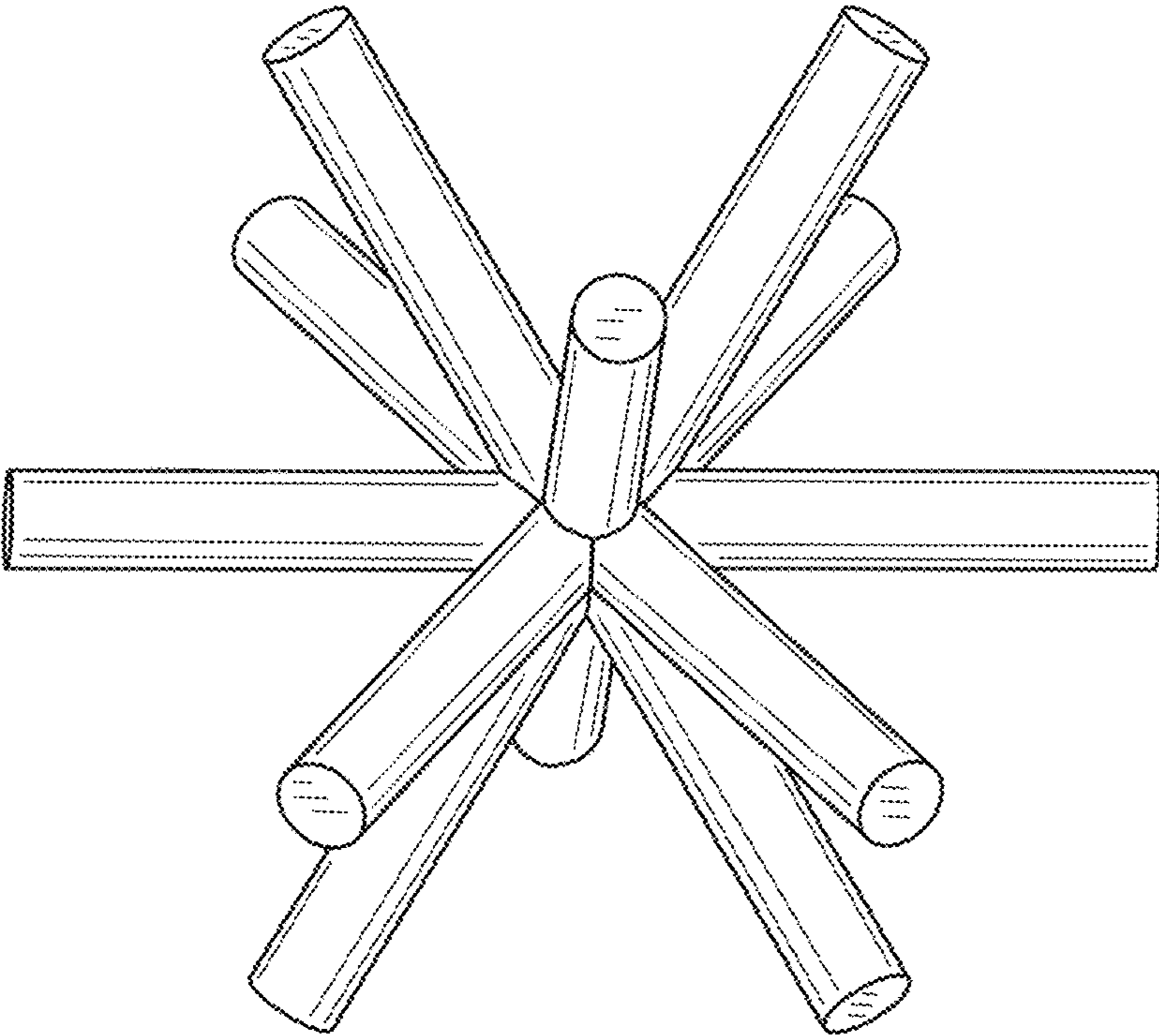


FIG. 1

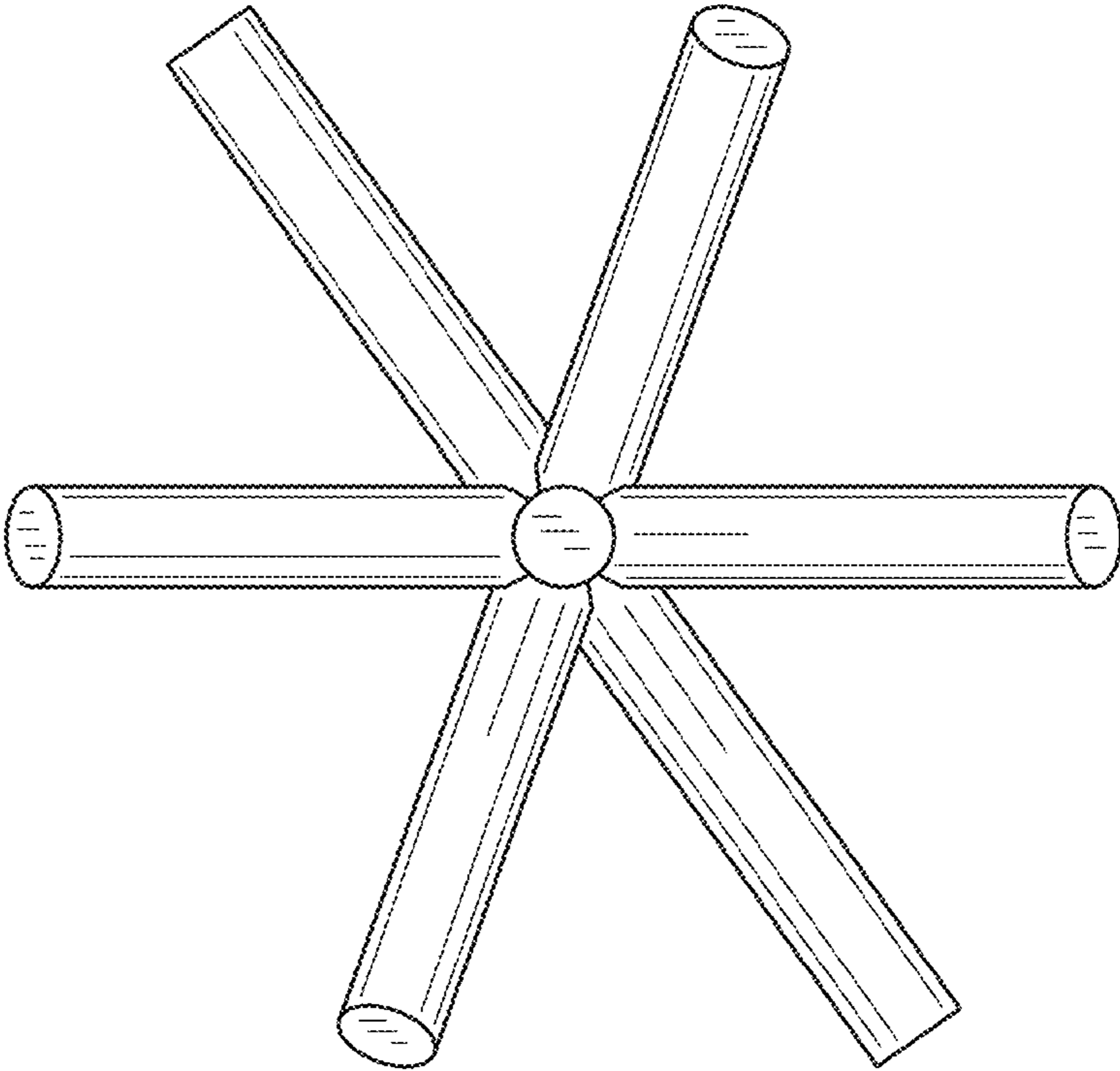


FIG. 2

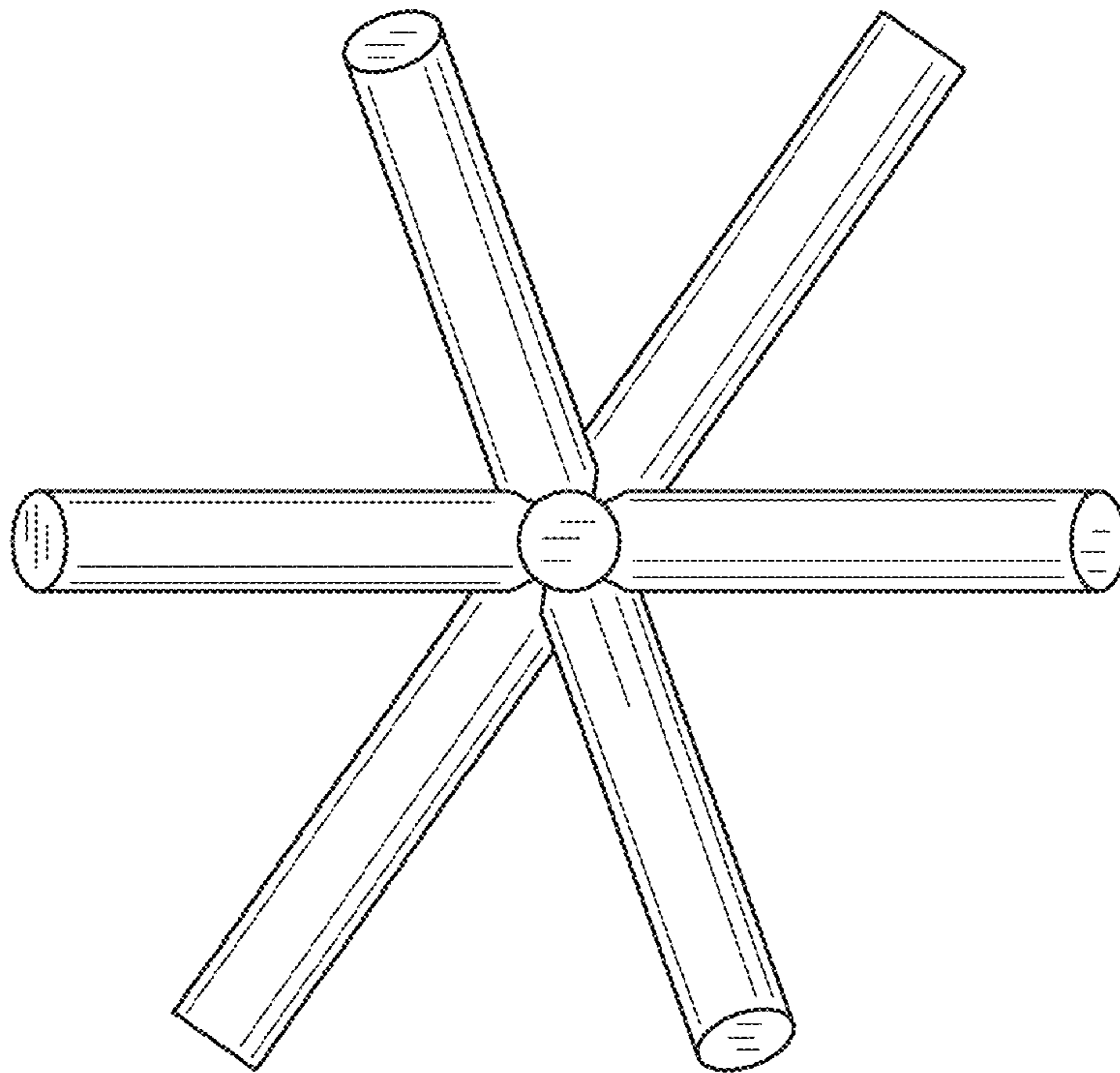


FIG. 3

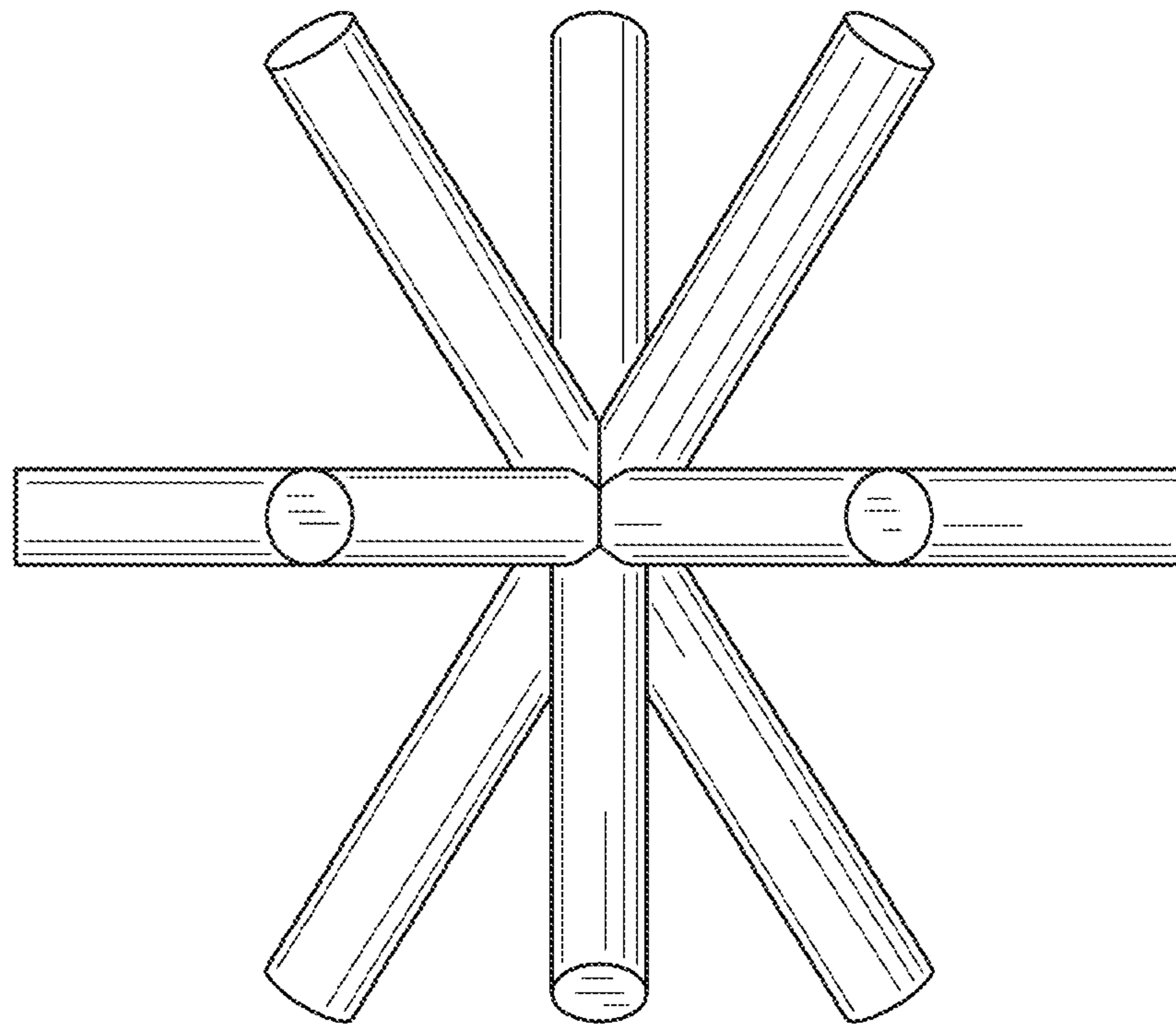


FIG. 4

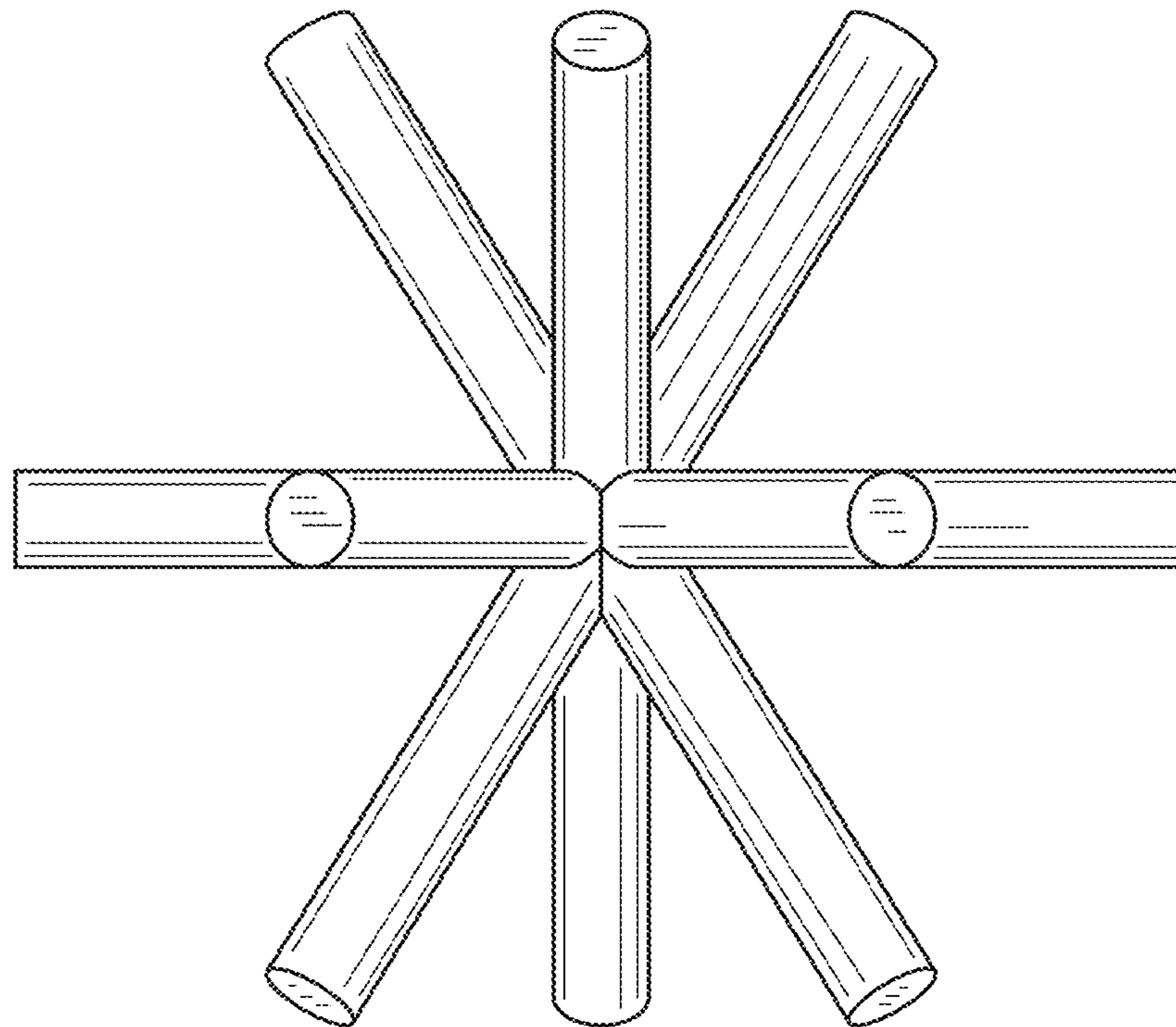


FIG. 5

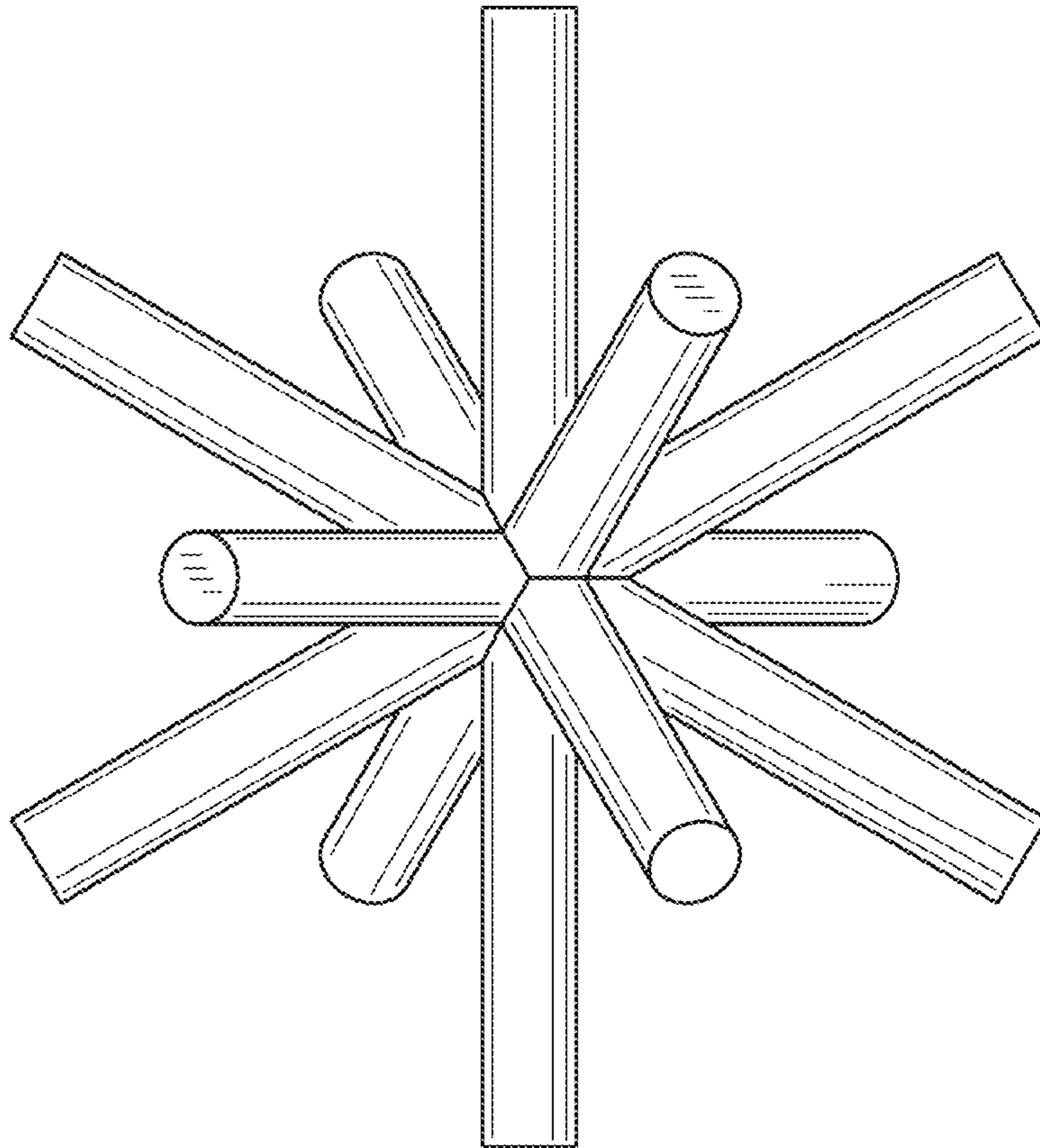


FIG. 6

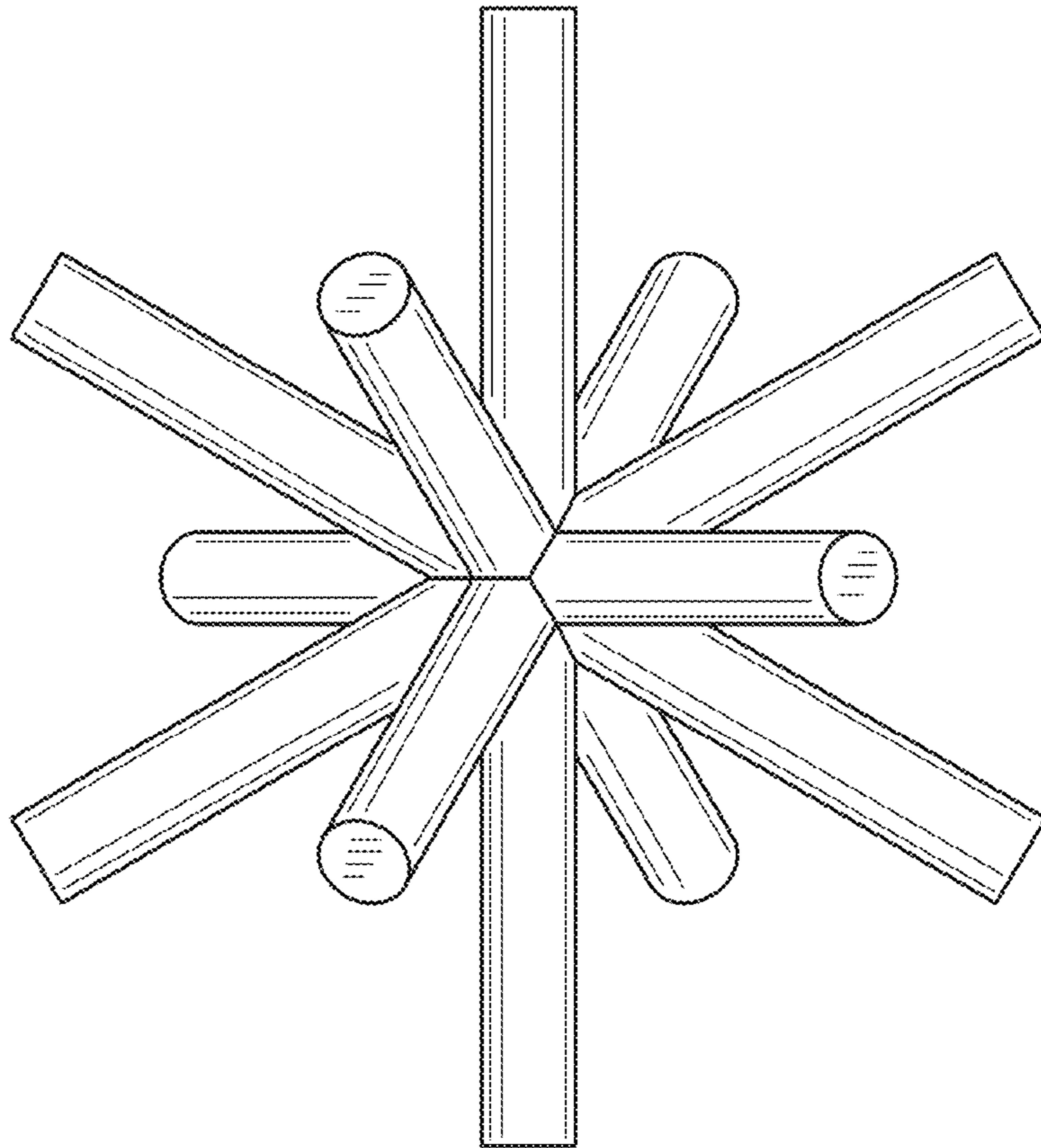


FIG. 7