



US00D826429S

(12) **United States Design Patent**  
**Champ et al.**

(10) **Patent No.:** **US D826,429 S**

(45) **Date of Patent:** **\*\* Aug. 21, 2018**

(54) **SNAP-ON TREAD FOR BOAT OR RECREATIONAL VEHICLE LADDER**

5,645,140 A 7/1997 Mouneimneh  
6,588,782 B2 \* 7/2003 Coomber ..... B60R 3/002  
280/163

(71) Applicant: **Bobo Ladders LLC**, Moberly, MO (US)

6,619,428 B2 9/2003 Ellis  
(Continued)

(72) Inventors: **Larry Brian Champ**, Cairo, MO (US);  
**Wayne Lawrence Soucie**, Columbia, MO (US); **Jeffrey Earl Tayon**, Moberly, MO (US)

OTHER PUBLICATIONS

“Overton’s Removable Telescoping Pontoon Boat Ladder, 4-Step,”  
www.overtons.com, Jul. 20, 2016, 1 page.  
(Continued)

(73) Assignee: **Bobo Ladders LLC**, Moberly, MO (US)

*Primary Examiner* — Cynthia Ramirez  
*Assistant Examiner* — Gino Colan

(\*\*) Term: **15 Years**

(74) *Attorney, Agent, or Firm* — Harness, Dickey and Pierce, P.L.C.

(21) Appl. No.: **29/574,027**

(57) **CLAIM**

The ornamental design for a snap-on tread for boat or recreational vehicle ladder, as shown and described.

(22) Filed: **Aug. 11, 2016**

(51) **LOC (11) Cl.** ..... **25-04**

(52) **U.S. Cl.**  
USPC ..... **D25/69**

(58) **Field of Classification Search**  
USPC ..... 52/179, 182, 741.2, 184, 188; D25/69,  
D25/119, 68; 280/169, 163; 182/188,  
182/177, 179, 182, 228.2; D12/317  
CPC ..... E04F 11/104; B60R 3/002  
See application file for complete search history.

**DESCRIPTION**

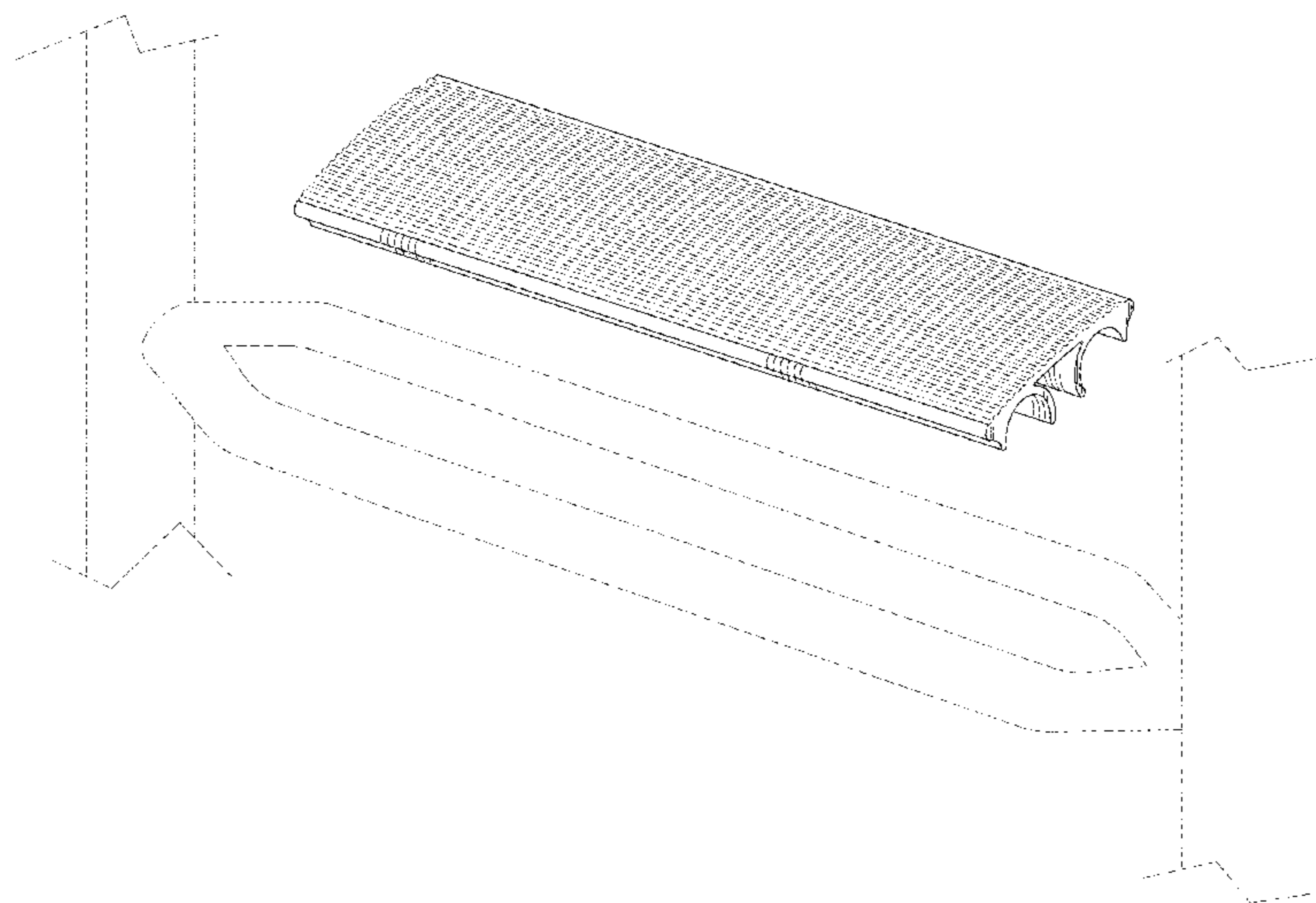
FIG. 1 is a perspective view of a snap-on tread for boat or recreational vehicle ladder showing our new design, with unclaimed environment;  
FIG. 2 is another perspective view thereof, with the scale or size enlarged as compared to FIG. 1;  
FIG. 3 is a side elevational view thereof, with unclaimed environment, and with the scale or size enlarged as compared to FIG. 1;  
FIG. 4 is a side elevational view thereof, with the scale or size enlarged as compared to FIG. 1;  
FIG. 5 is a top plan view thereof; and,  
FIG. 6 is a bottom plan view thereof.  
In the drawings, the claimed design is defined by the shaded surfaces; broken lines immediately adjacent shaded surfaces represent boundaries of the claim and form no part thereof. The broken lines showing a portion of the ladder in FIGS. 1 and 3 are included for the purpose of illustrating environment and form no part of the claimed design.

(56) **References Cited**

U.S. PATENT DOCUMENTS

2,265,735 A \* 12/1941 Lambert ..... E06C 7/08  
182/228.2  
2,876,047 A 3/1959 Plante  
3,804,200 A 4/1974 Sandberg  
4,002,223 A 1/1977 Bernkrant  
4,935,638 A \* 6/1990 Straka ..... B60R 3/00  
280/163  
D331,219 S 11/1992 Barbour et al.

**1 Claim, 4 Drawing Sheets**



(56)

**References Cited**

U.S. PATENT DOCUMENTS

7,168,721	B2 *	1/2007	Mulder	.....	B60R 3/002	
					280/163	
7,182,175	B1	2/2007	Schmitt et al.			
7,334,807	B2 *	2/2008	Mulder	.....	B60R 3/04	
					280/163	
D621,961	S *	8/2010	Gardner	.....	D25/119	
7,819,412	B2 *	10/2010	McPherson	.....	B60R 3/002	
					280/163	
8,002,299	B2 *	8/2011	Huang-Tsai	.....	B60R 3/00	
					280/163	
D701,484	S *	3/2014	Vaughn	.....	D12/317	
8,850,757	B2 *	10/2014	Gardner	.....	E04F 11/166	
					52/179	
9,067,647	B2	6/2015	Neese			
2005/0263974	A1 *	12/2005	Mulder	.....	B60R 3/002	
					280/163	
2006/0272895	A1	12/2006	Lavoie			

OTHER PUBLICATIONS

“EEz-In Outboard Transom Platform with Two-Step Telescoping Ladder,” [www.overtons.com](http://www.overtons.com), Jul. 20, 2016, 1 page.

“Telescoping Drop Ladder, 2-Step,” [www.overtons.com](http://www.overtons.com), Jul. 20, 2016, 1 page.  
 “Dockmate Telescoping Under-Platform Ladder, (3-Step),” [www.overtons.com](http://www.overtons.com), Jul. 20, 2016, 2 pages.  
 “Dockmate Telescoping Drop Ladder With Plastic Steps, 3-Step,” [www.overtons.com](http://www.overtons.com), Jul. 20, 2016, 2 pages.  
 “Over Platform Telescoping Boat Ladder (316—Stainless Steel)—J,” [www.everythingpontoon.com](http://www.everythingpontoon.com), Jul. 20, 2016, 1 page.  
 “Marine Dock Folding Ladder—J,” [www.everythingpontoon.com](http://www.everythingpontoon.com), Jul. 20, 2016, 1 page.  
 “Step Tread for Stainless Steel Ladders,” [windline.com](http://windline.com), Aug. 2, 2016, 5 pages.  
 “Interfab Zoomerang Slide Ladder Tread,” [www.interfab.com](http://www.interfab.com), published Jul. 20, 2016, 2 pages.  
 “Replacement Rubber Tread for Ladder Rung on Stromberg Carlson RV Ladder—Qty 1 Stromberg Carlson Accessories and Parts 8510-CP,” [www.etrailer.com](http://www.etrailer.com), Jul. 18, 2016, 6 pages.  
 “Boarding Ladder Collection,” [www.garelick.com](http://www.garelick.com), published Jul. 20, 2016, 14 pages.  
 “Portable Boat Boarding Ladders—3 & 4 Step Boat Boarding Ladders,” [www.discounttramps.com](http://www.discounttramps.com), Aug. 10, 2016, 2 pages.  
 “West Marine Portable Gunwale-Mount Boarding Ladders,” [www.westmarine.com](http://www.westmarine.com), Jul. 18, 2016, 1 page.  
 “Spray Rails, Toe Rails and Ladder Treads,” [www.barbourcorp.com](http://www.barbourcorp.com), Aug. 2, 2016, 8 pages.

\* cited by examiner

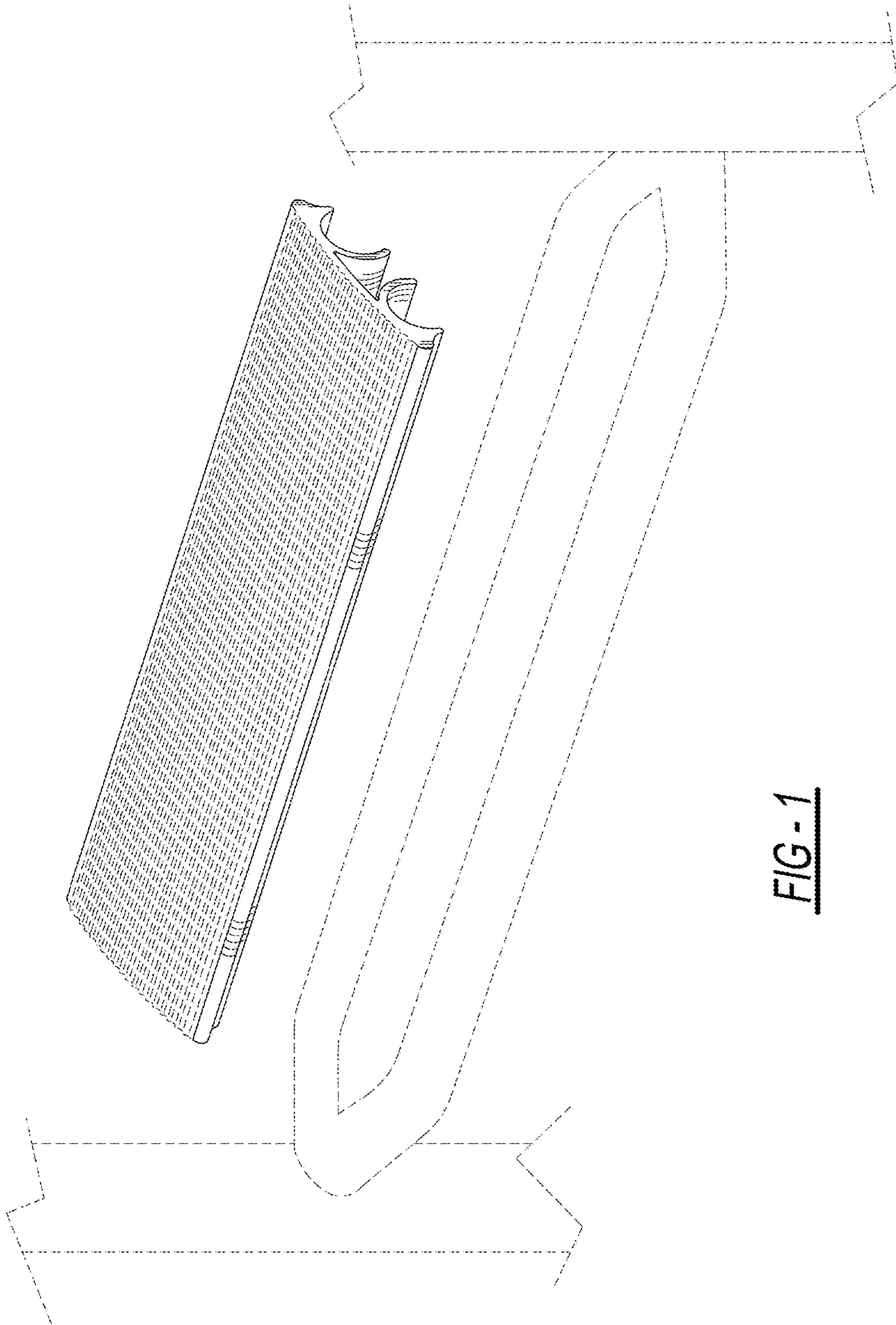


FIG - 1

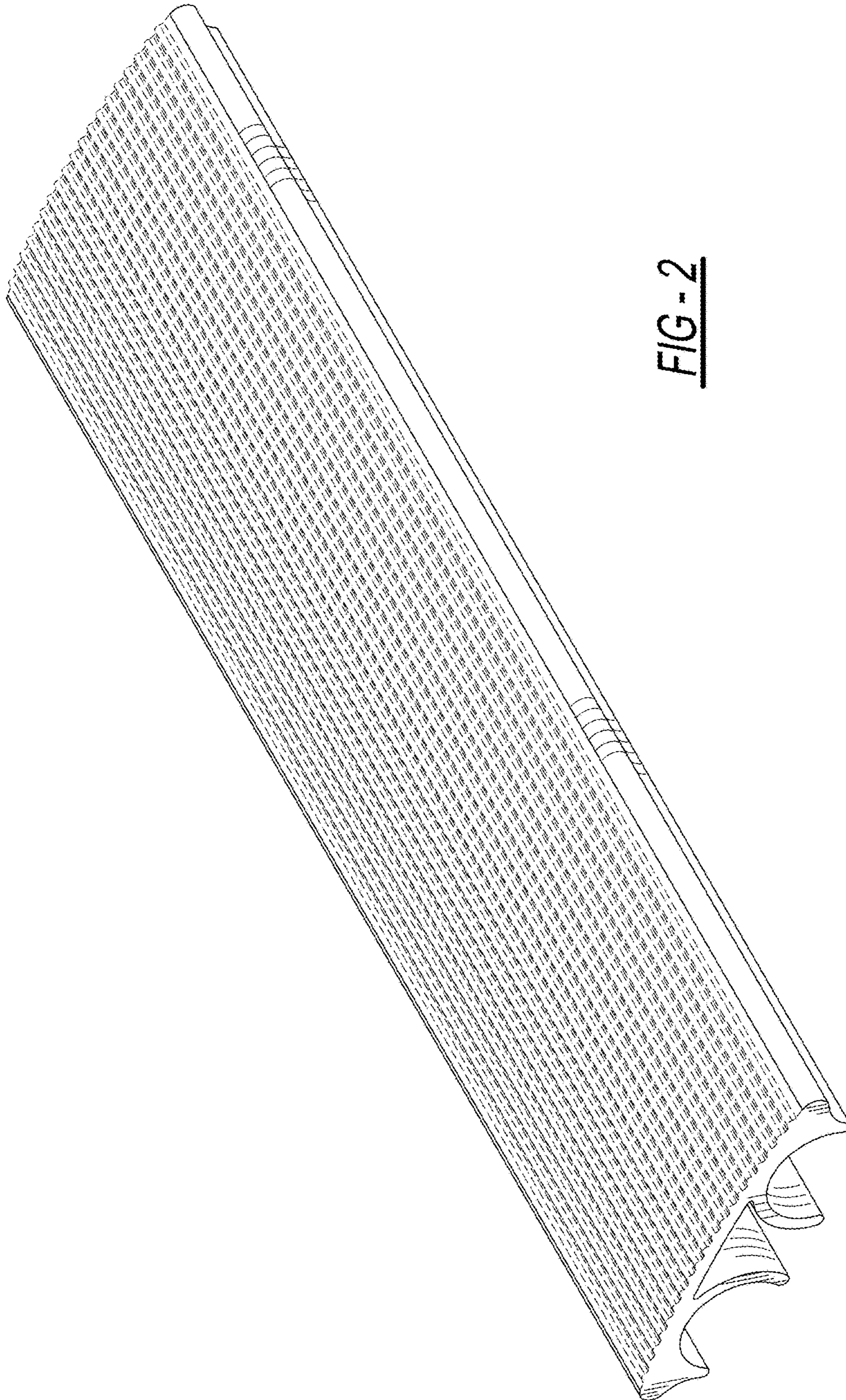


FIG-2

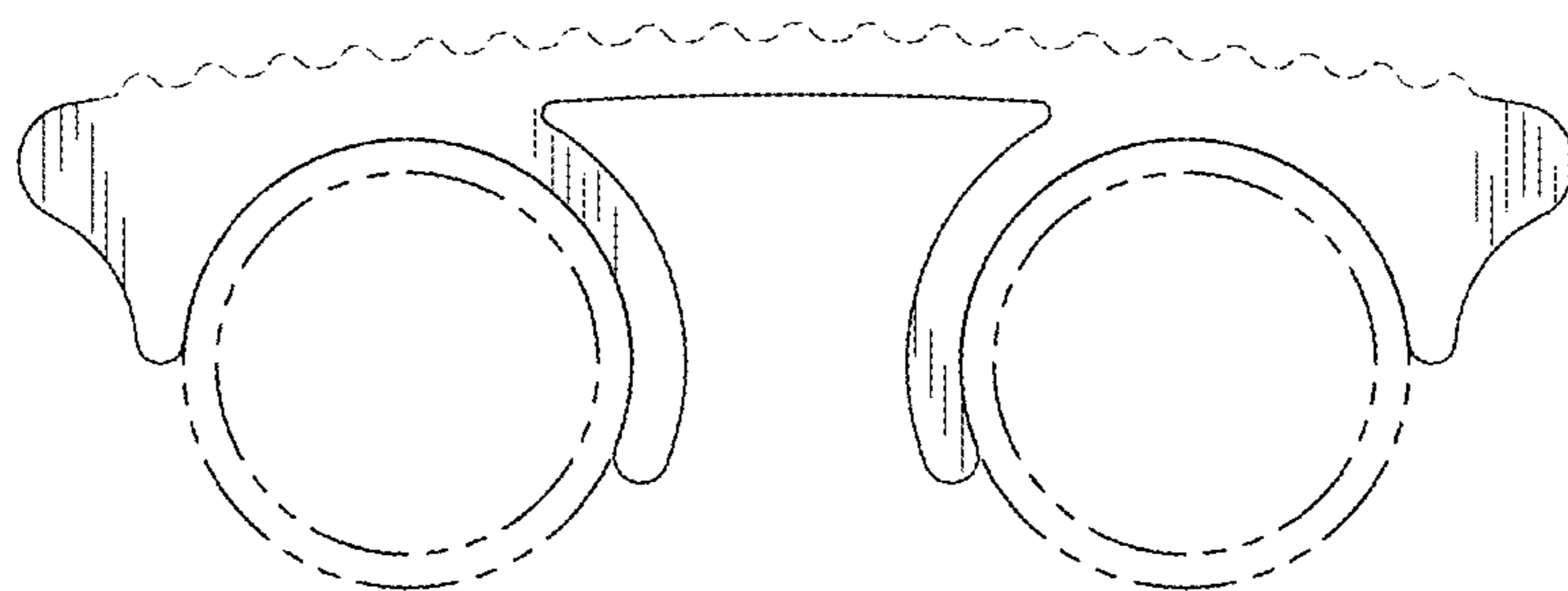


FIG - 3

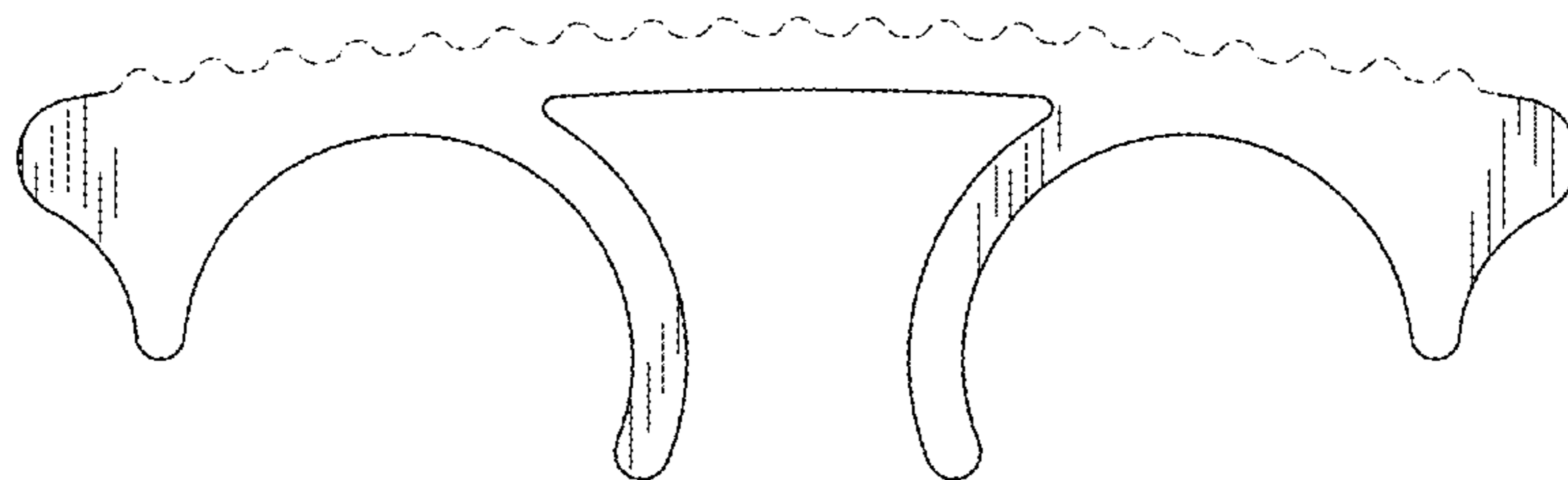


FIG - 4

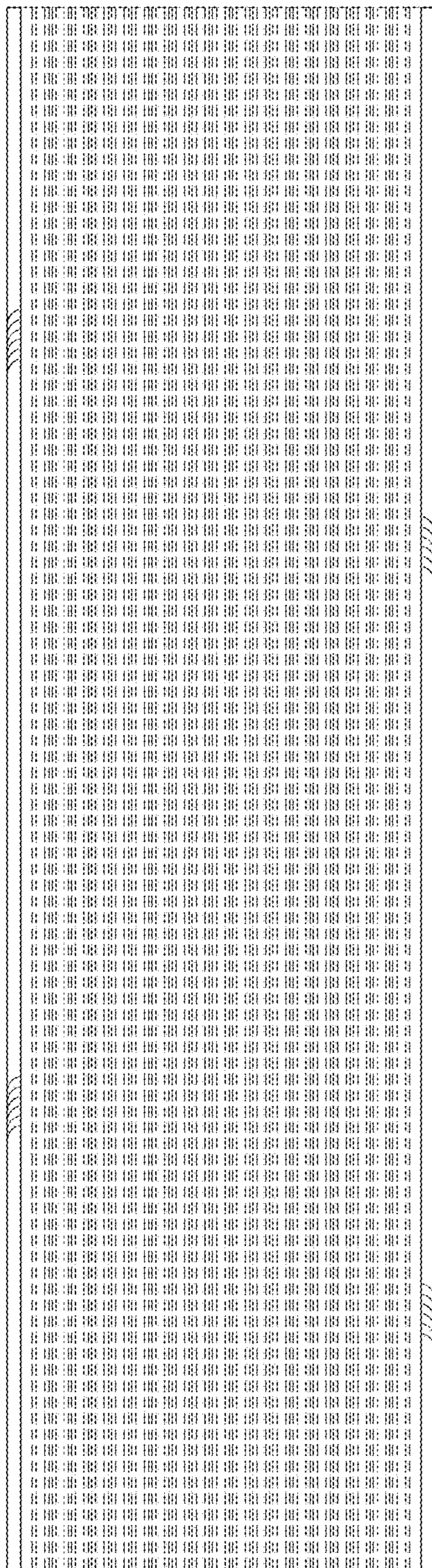


FIG - 5

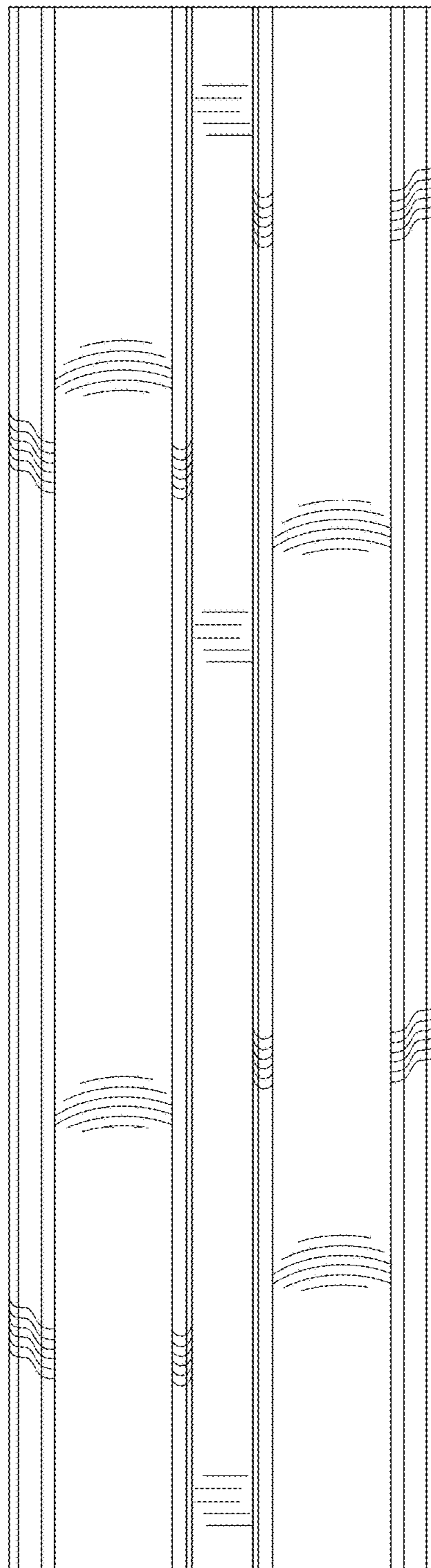


FIG - 6