



US00D826427S

(12) **United States Design Patent** (10) **Patent No.:** **US D826,427 S**  
**Filiba** (45) **Date of Patent:** **\*\* Aug. 21, 2018**

(54) **FENCE PANEL**

FOREIGN PATENT DOCUMENTS

(71) Applicant: **COCHRANE USA INC**, Washington, DC (US)

KR 300867217.0000 \* 8/2016

\* cited by examiner

(72) Inventor: **Lusio Filiba**, Washington, DC (US)

*Primary Examiner* — Susan Bennett Hattan

(73) Assignee: **Cochrane USA, Inc.**, Washington, DC (US)

*Assistant Examiner* — Leanne Was-Englehart

(74) *Attorney, Agent, or Firm* — Tutunjian & Bitetto, P.C.

(\*\*) Term: **15 Years**

(57) **CLAIM**

(21) Appl. No.: **29/580,577**

The ornamental design for a fence panel, as shown and described.

(22) Filed: **Oct. 11, 2016**

(30) **Foreign Application Priority Data**

**DESCRIPTION**

Apr. 12, 2016 (ZA) ..... F2016/00522

(51) **LOC (11) Cl.** ..... **25-01**

(52) **U.S. Cl.**  
USPC ..... **D25/45**

(58) **Field of Classification Search**  
USPC ..... D25/38.1, 39, 42, 43, 44, 45, 138  
CPC .. E04H 17/14; E04H 17/1408; E04H 17/1417  
See application file for complete search history.

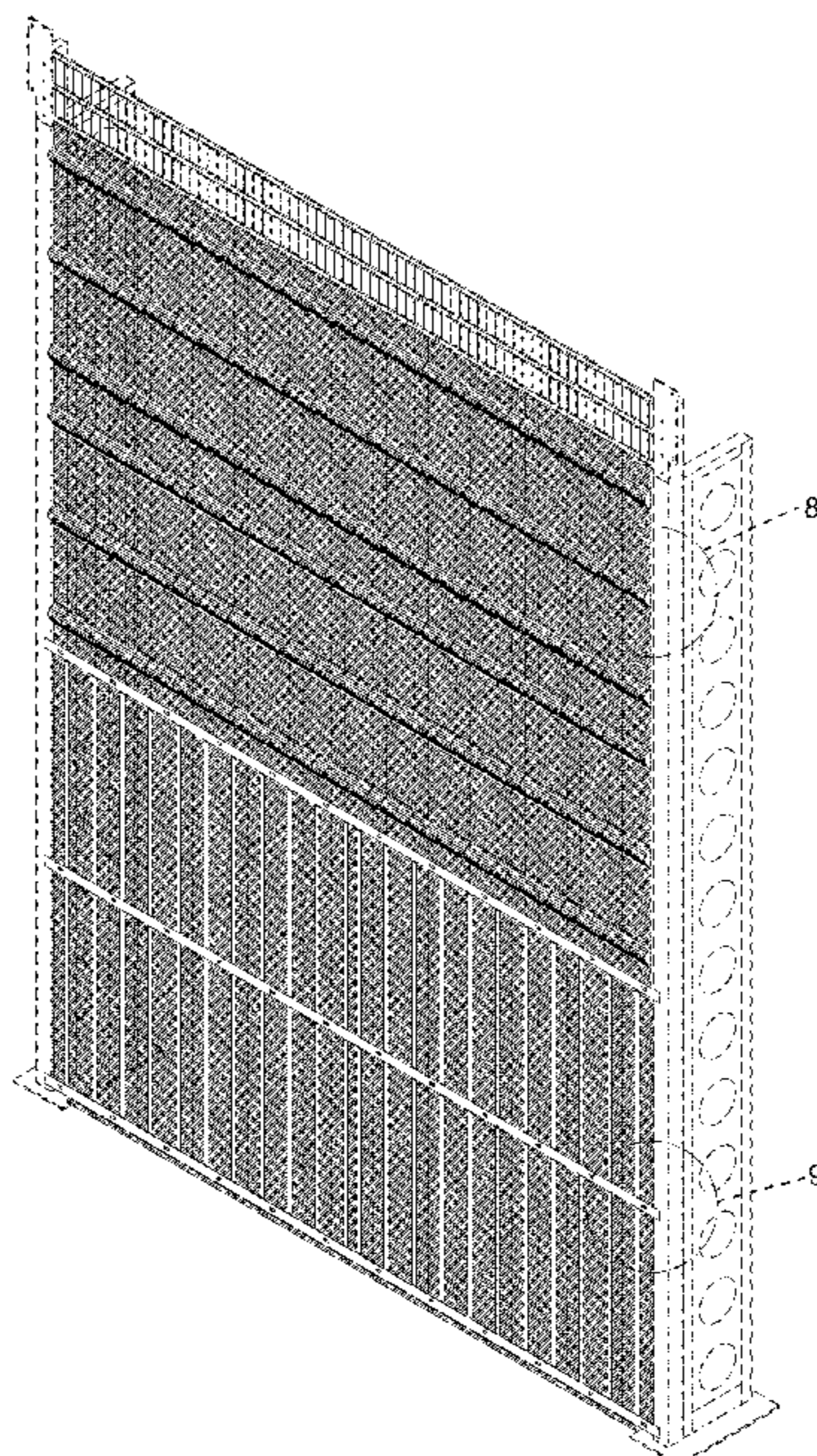
FIG. 1 is a perspective view of the fence panel showing my new design;  
FIG. 2 is a front view thereof;  
FIG. 3 is a rear view thereof;  
FIG. 4 is a top view thereof;  
FIG. 5 is a bottom side view thereof;  
FIG. 6 is a right side view thereof;  
FIG. 7 is a left side view thereof;  
FIG. 8 is an enlarged view of an upper section of the fence panel of FIG. 1;  
FIG. 9 is an enlarged view of a lower section of the fence panel of FIG. 1;  
FIG. 10 is an enlarged view of the fence panel of FIG. 4; and,  
FIG. 11 is an enlarged view of the fence panel of FIG. 5.  
The evenly spaced broken lines depict portions of the fence panel that form no part of the claimed design. The dash dot dash broken lines depict the limits of the enlarged view and form no part of the claimed design.

(56) **References Cited**

U.S. PATENT DOCUMENTS

D14,442 S \* 11/1883 Hunziker ..... 245/2  
D583,964 S \* 12/2008 Cochrane ..... D25/45  
D598,570 S \* 8/2009 Cochrane ..... D25/45  
D605,781 S \* 12/2009 Cochrane ..... D25/45  
D615,670 S \* 5/2010 Cochrane ..... D25/119  
D717,471 S \* 11/2014 Donnelly ..... D25/38.1  
D754,364 S \* 4/2016 Catteeuw ..... D25/119  
2015/0337558 A1 \* 11/2015 Shepherd ..... E04H 17/02  
256/24  
2017/0096835 A1 \* 4/2017 Messelis ..... E04H 17/04

**1 Claim, 6 Drawing Sheets**



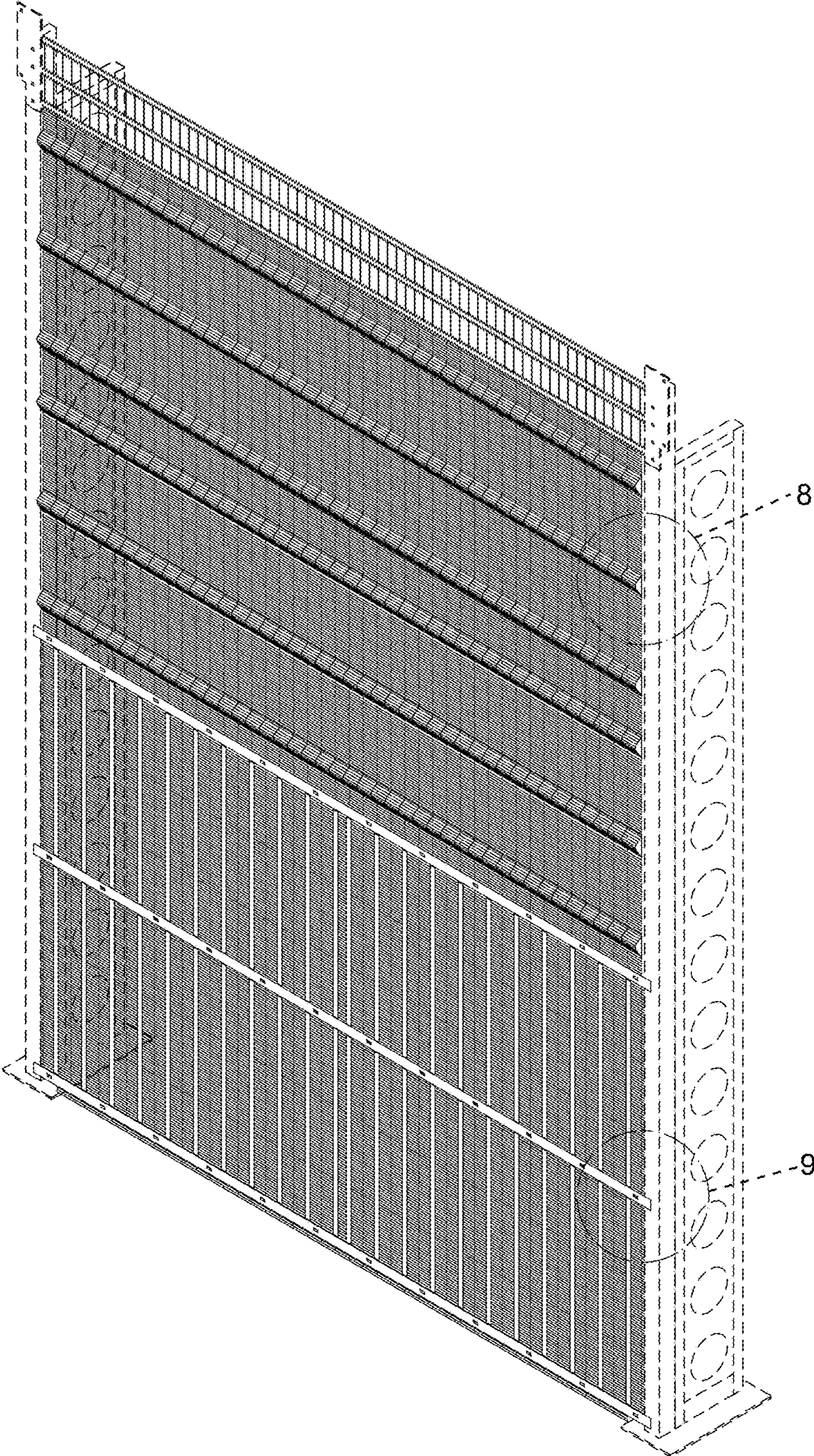


Fig. 1

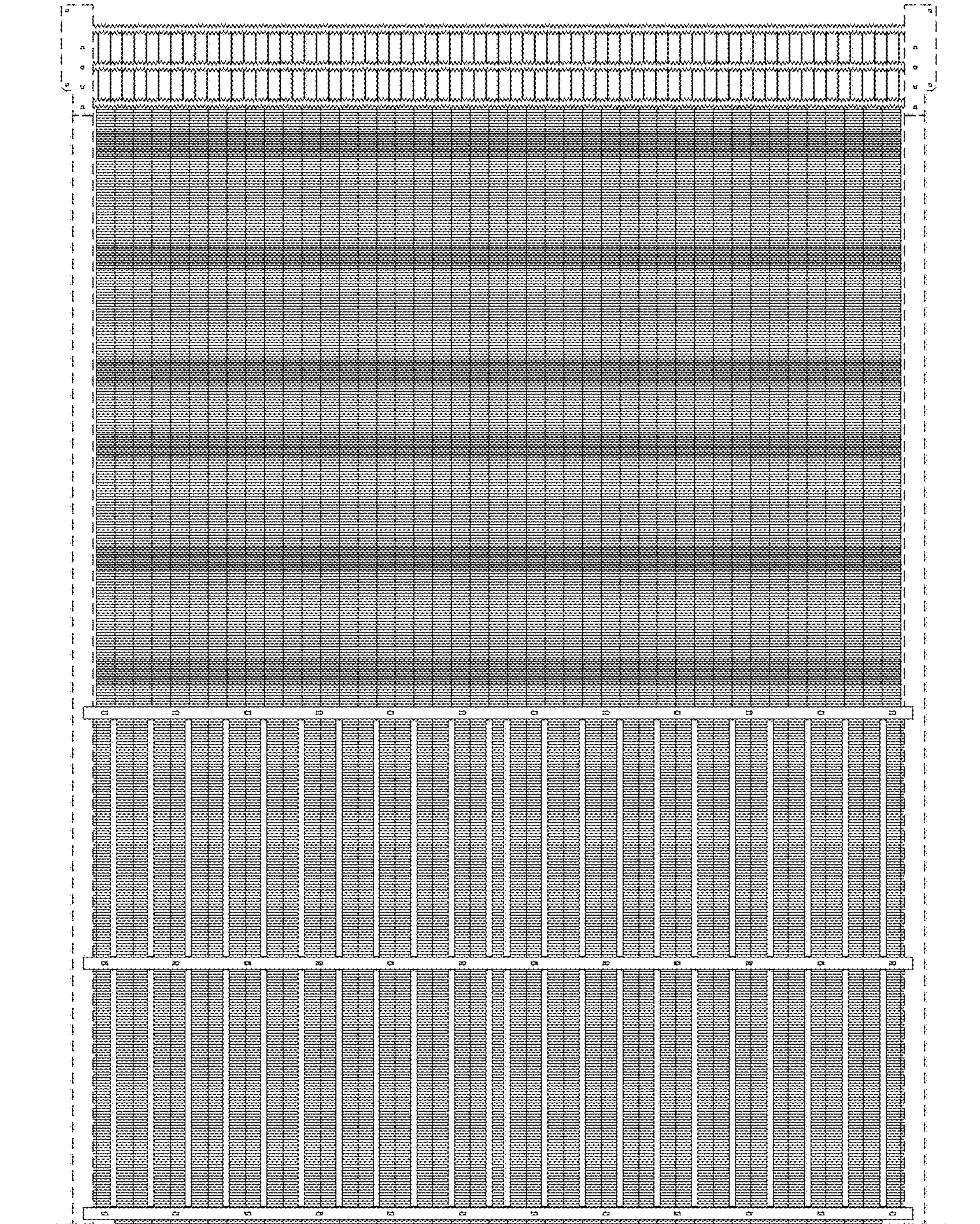


Fig. 2

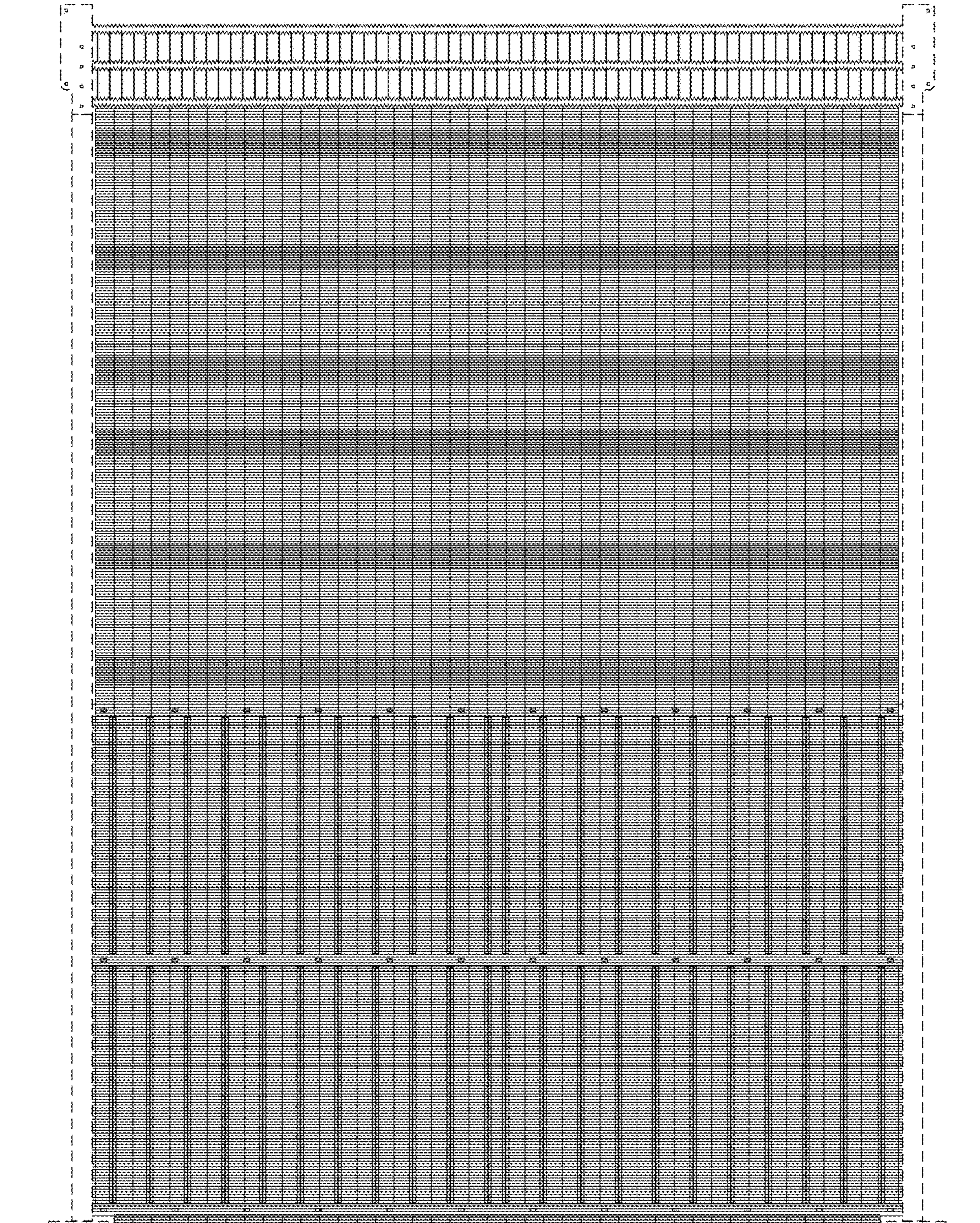


Fig. 3

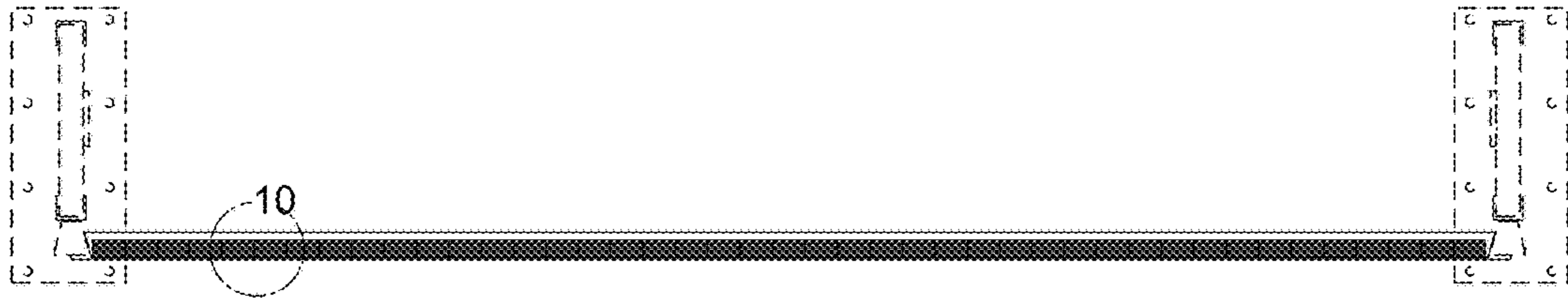


Fig. 4

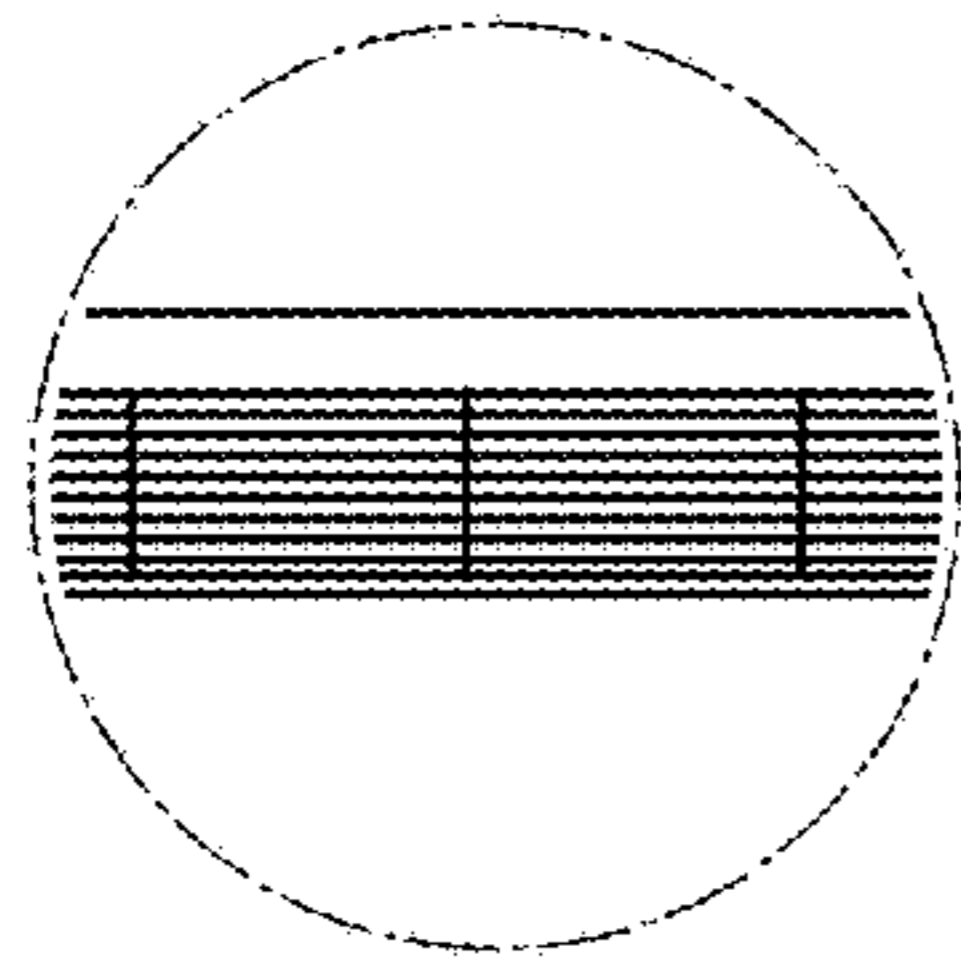


Fig. 10

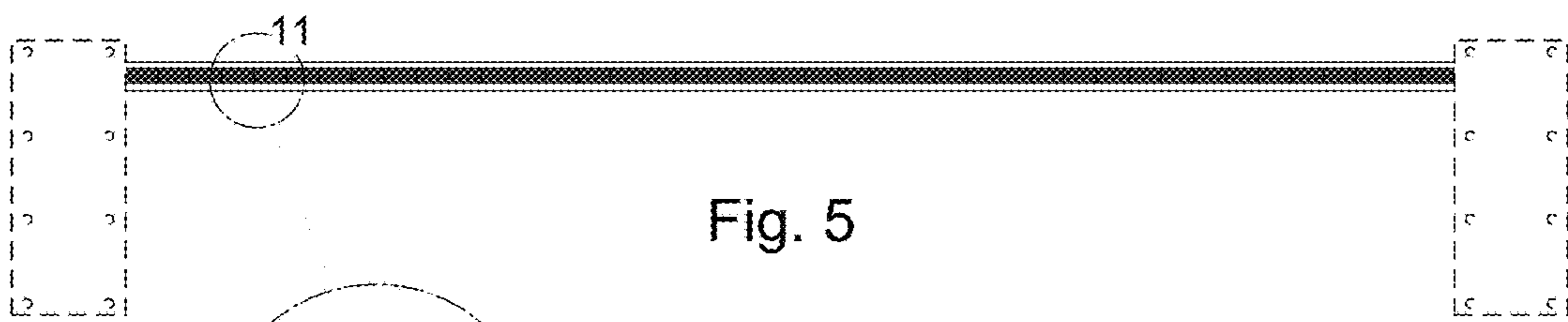


Fig. 5

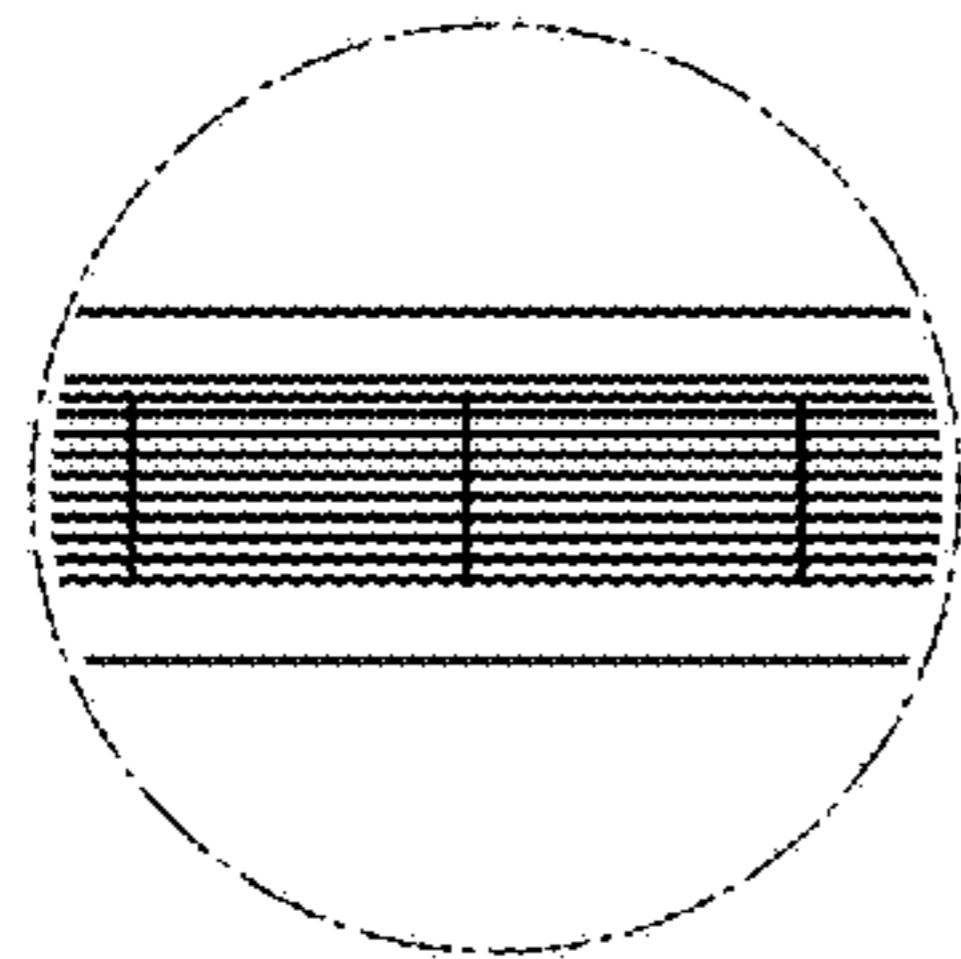


Fig. 11

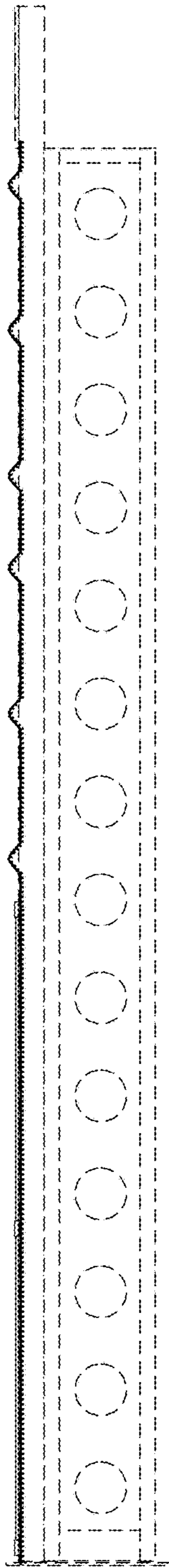


Fig. 6

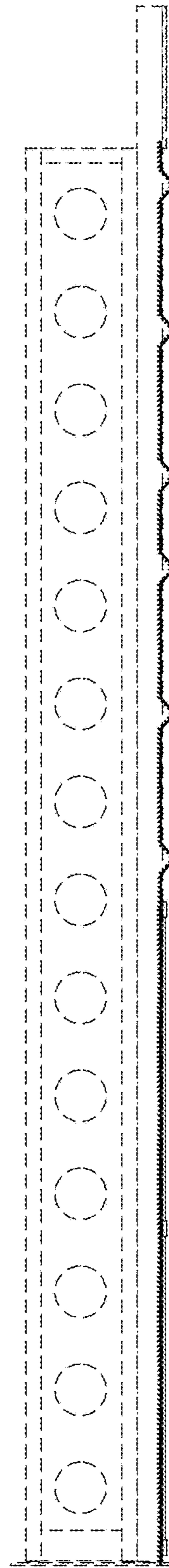


Fig. 7

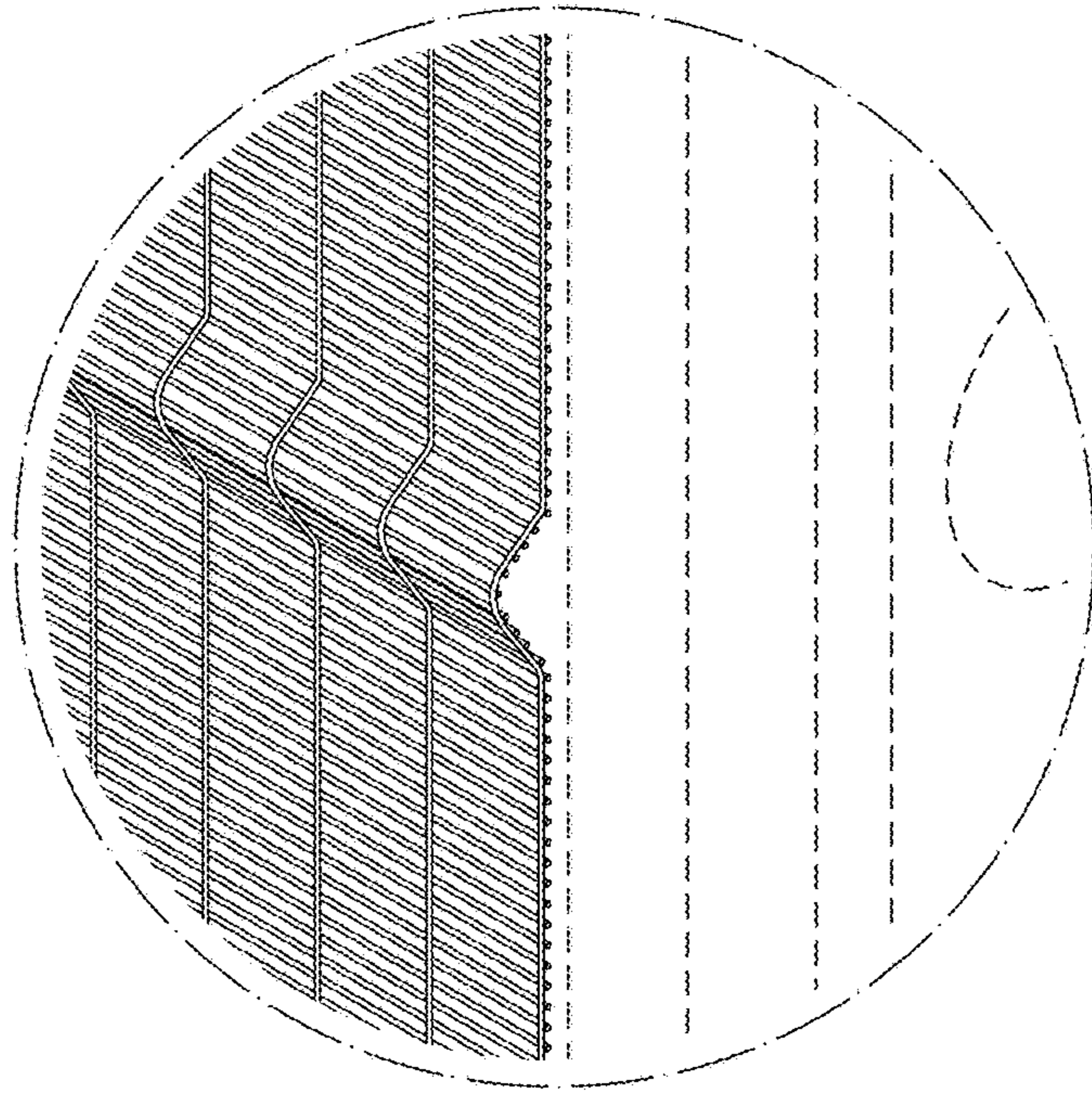


Fig. 8

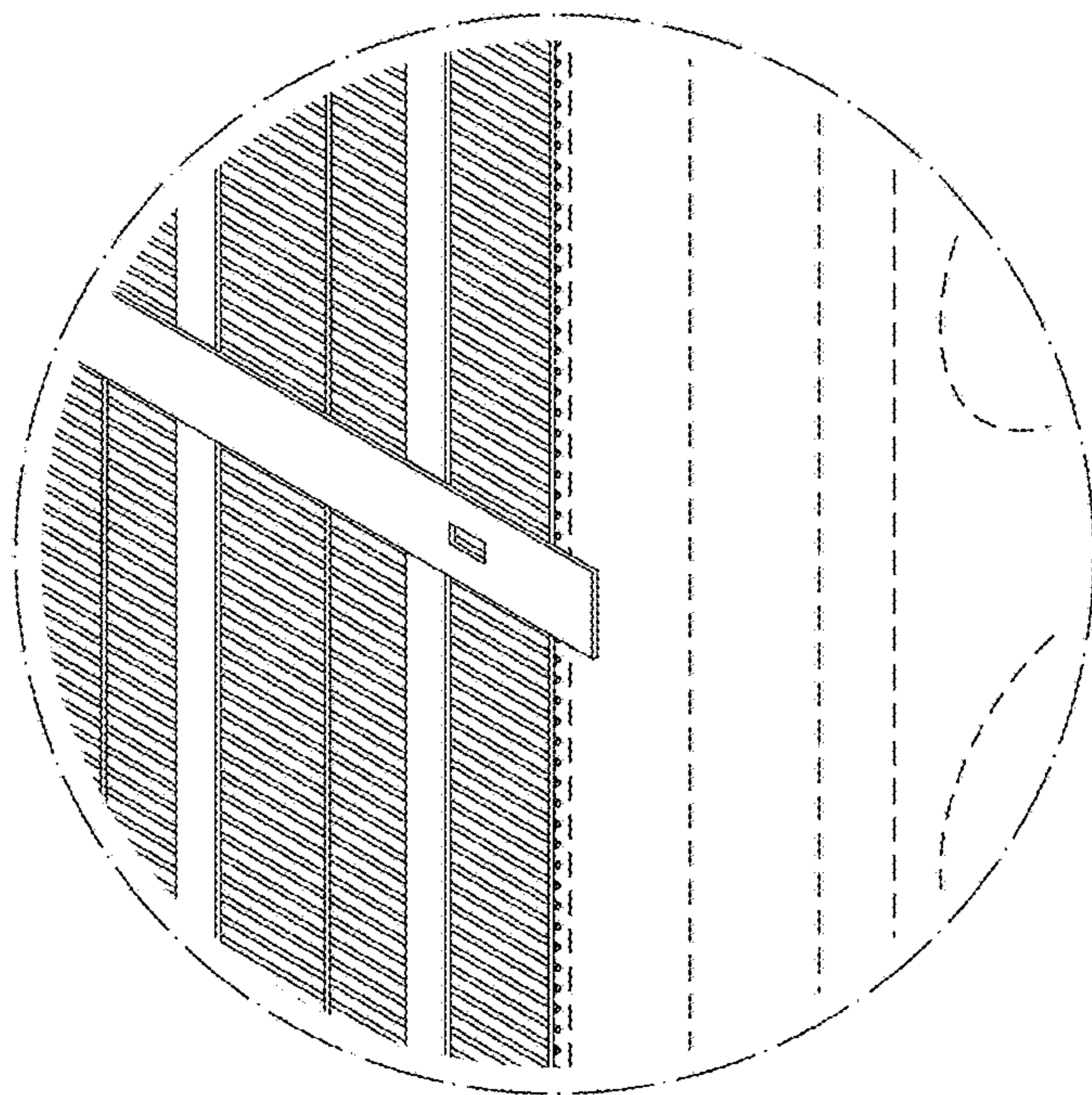


Fig. 9