



US00D826425S

(12) **United States Design Patent** (10) **Patent No.:** **US D826,425 S**  
**Muller et al.** (45) **Date of Patent:** **\*\* Aug. 21, 2018**

(54) **TUBE TRAY**

(71) Applicant: **Becton, Dickinson and Company**,  
Franklin Lakes, NJ (US)

(72) Inventors: **Charles D. Muller**, Glen Rock, PA  
(US); **Michael T. VanSickler**,  
Columbia, MD (US); **Dwight**  
**Livingston**, Fallston, MD (US);  
**Chandra Schaub**, Nottingham, MD  
(US)

(73) Assignee: **Becton, Dickinson and Company**,  
Franklin Lakes, NJ (US)

D390,458 S \* 2/1998 Kristoffersson ..... D3/311  
D420,743 S \* 2/2000 Monks ..... D24/224  
6,051,191 A \* 4/2000 Ireland ..... B01L 3/5085  
356/246  
D469,544 S \* 1/2003 Lafond ..... D24/224  
D533,948 S \* 12/2006 Schaub ..... D24/229  
D556,339 S \* 11/2007 Coulling ..... D24/230  
7,438,862 B2 \* 10/2008 Coyne ..... B01L 3/5025  
422/63  
D601,714 S \* 10/2009 Lohn ..... D24/226  
D673,294 S \* 12/2012 Motadel ..... D24/227  
D673,296 S \* 12/2012 Fry ..... D24/227  
D690,028 S \* 9/2013 Tsukiji ..... D24/227  
D699,371 S \* 2/2014 Williams ..... D24/230  
D702,854 S \* 4/2014 Nakahana ..... D24/227  
D724,236 S \* 3/2015 Motadel ..... D24/227

(Continued)

(\*\*) Term: **15 Years**

(21) Appl. No.: **29/581,207**

(22) Filed: **Oct. 17, 2016**

(51) **LOC (11) Cl.** ..... **24-02**

(52) **U.S. Cl.**  
USPC ..... **D24/230**

(58) **Field of Classification Search**  
USPC ..... D10/81; D24/107, 216, 217, 222,  
D24/224-232

CPC .. G01N 35/02; B65D 1/34; B65D 1/36; A61J  
1/06; A61L 2/06

See application file for complete search history.

(56) **References Cited**

**U.S. PATENT DOCUMENTS**

3,356,462 A \* 12/1967 Cooke ..... B01L 3/5085  
206/509  
D303,149 S \* 8/1989 Andersen ..... D24/226  
5,184,748 A \* 2/1993 Apps ..... B65D 21/0212  
206/201  
5,329,123 A \* 7/1994 Oikari ..... B01L 3/5085  
250/328  
5,650,323 A \* 7/1997 Root ..... B01L 3/5085  
210/238

*Primary Examiner* — Susan Bennett Hattan

*Assistant Examiner* — Leanne Was-Englehart

(74) *Attorney, Agent, or Firm* — Lerner, David,  
Littenberg, Krumholz & Mentlik, LLP

(57) **CLAIM**

The ornamental design for a tube tray, as shown and described.

**DESCRIPTION**

FIG. 1 is a front perspective view of a tube tray according to our design;

FIG. 2 is a front elevational view thereof;

FIG. 3 is a rear elevational view thereof;

FIG. 4 is a right side elevational view thereof;

FIG. 5 is a left side elevational view thereof;

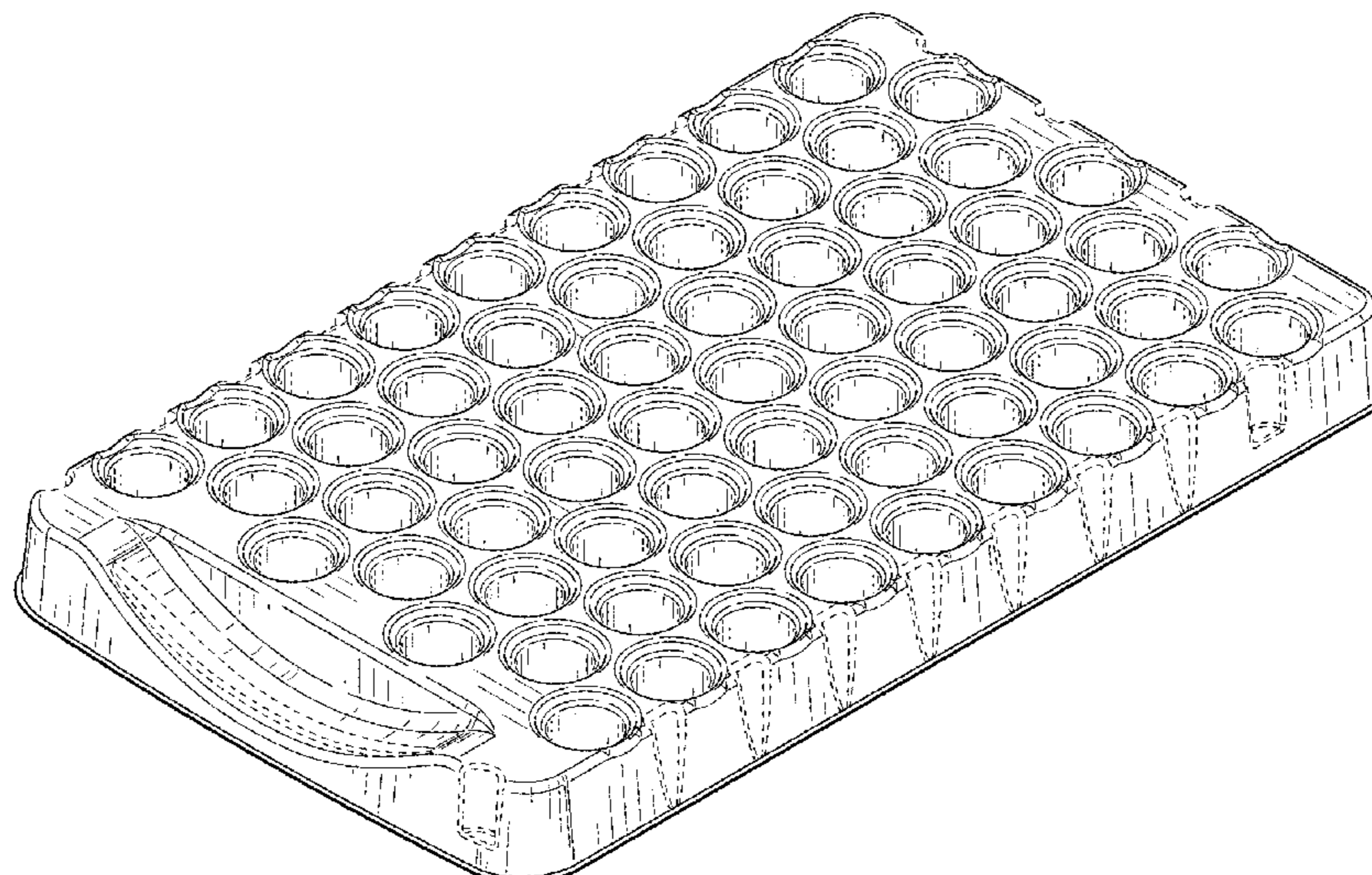
FIG. 6 is a top plan view thereof;

FIG. 7 is a bottom plan view thereof; and,

FIG. 8 is a perspective view thereof shown in connection with additional environmental features that can be associated therewith.

The broken lines illustrate unclaimed environmental structure and form no part of the claimed design.

**1 Claim, 6 Drawing Sheets**



(56)

**References Cited**

U.S. PATENT DOCUMENTS

D732,187 S *	6/2015	Houkal .....	D24/227
D736,403 S *	8/2015	Hudson .....	D24/216
D767,783 S *	9/2016	McClelland .....	D24/227
D768,873 S *	10/2016	Stedman .....	D24/227
D783,177 S *	4/2017	Kawamura .....	D24/227
D791,337 S *	7/2017	Taylor .....	D24/227
2011/0086778 A1 *	4/2011	Herrmann .....	B01L 3/5085 506/10
2011/0236278 A1 *	9/2011	Motadel .....	B01L 9/543 422/560
2014/0234182 A1 *	8/2014	Motadel .....	B01L 9/543 422/526
2015/0209786 A1 *	7/2015	Hage .....	B01L 3/5025 435/6.12

\* cited by examiner

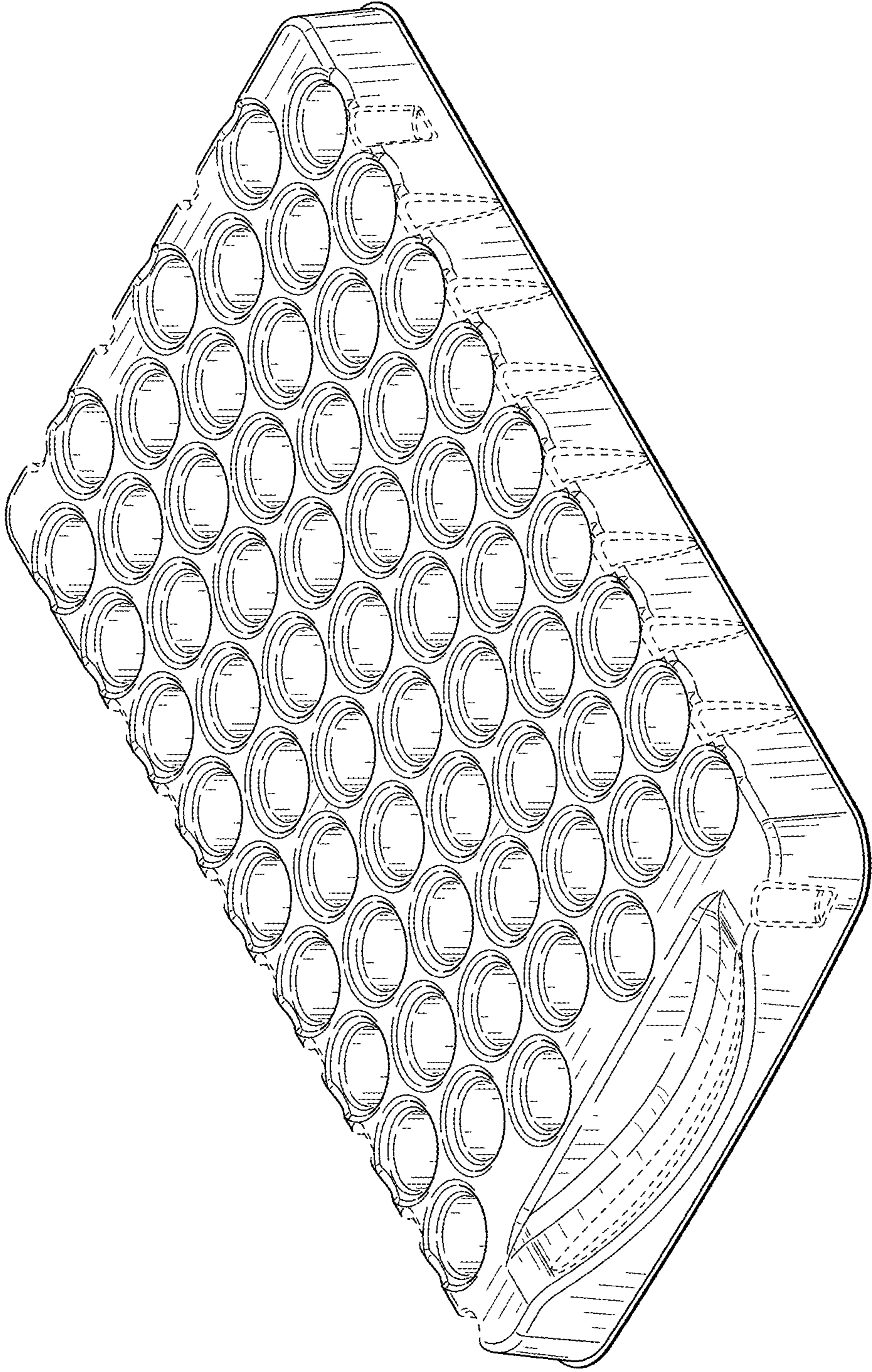


FIG. 1

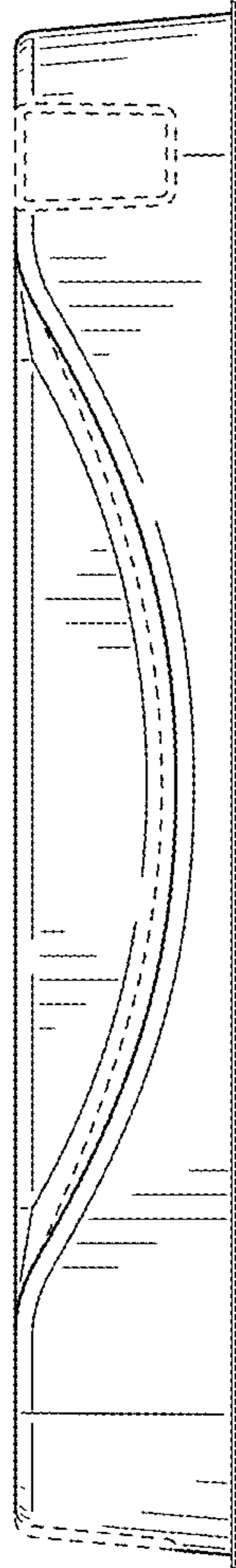


FIG. 2

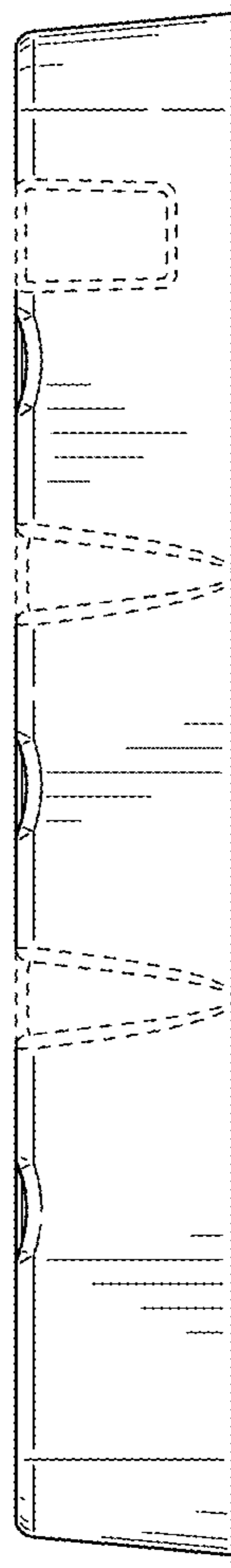


FIG. 3

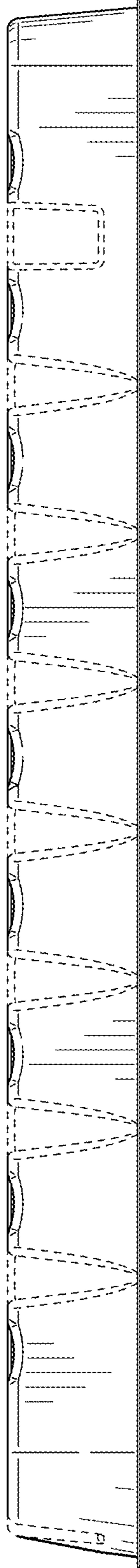


FIG. 4

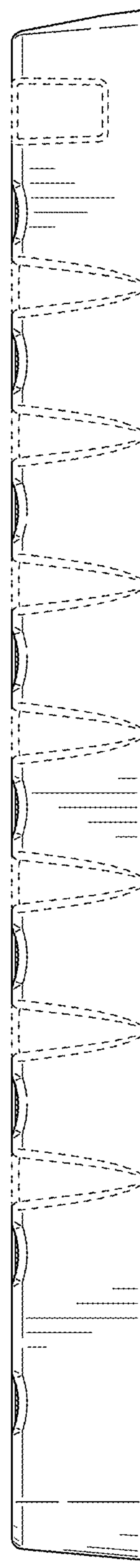


FIG. 5

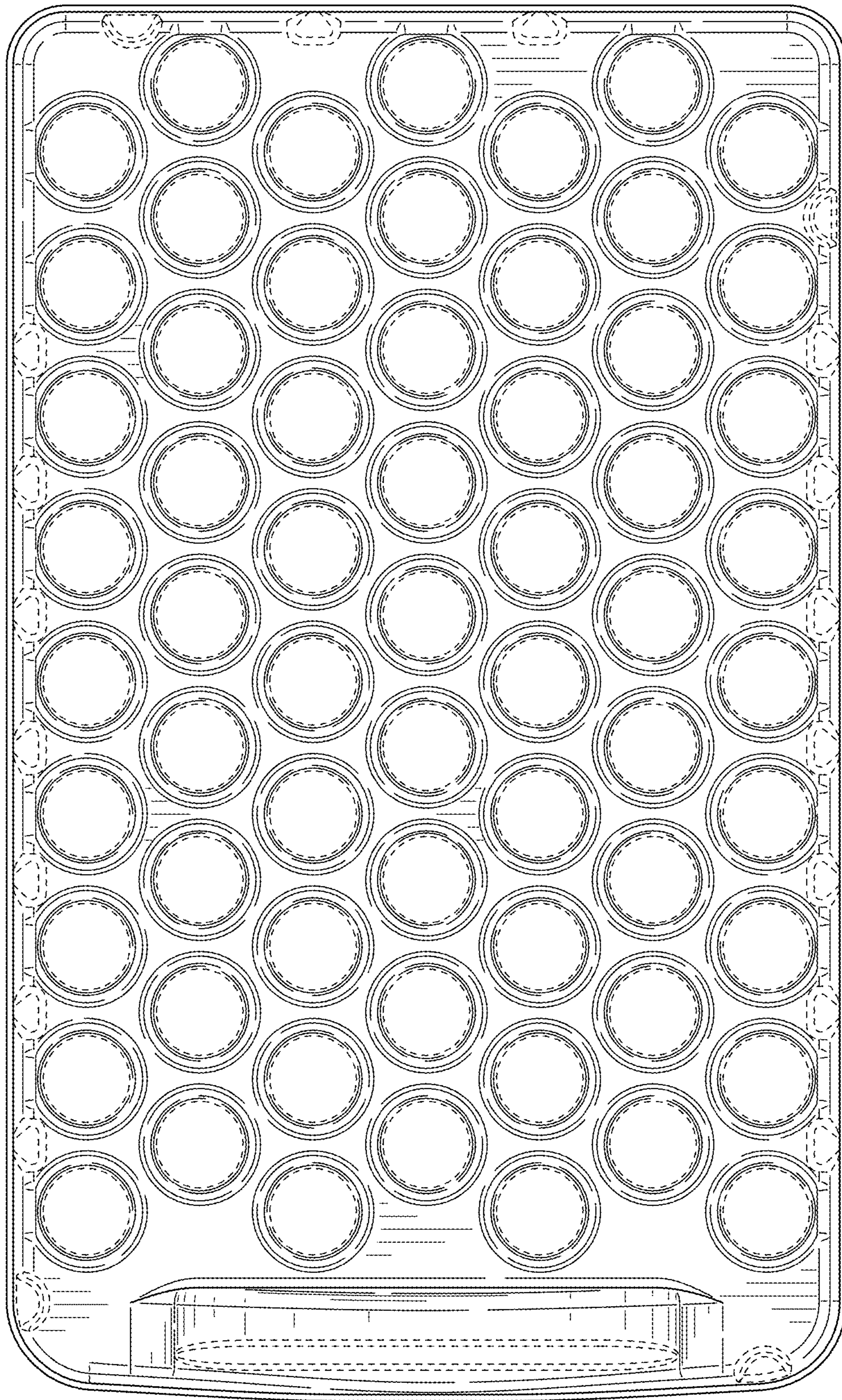


FIG. 6

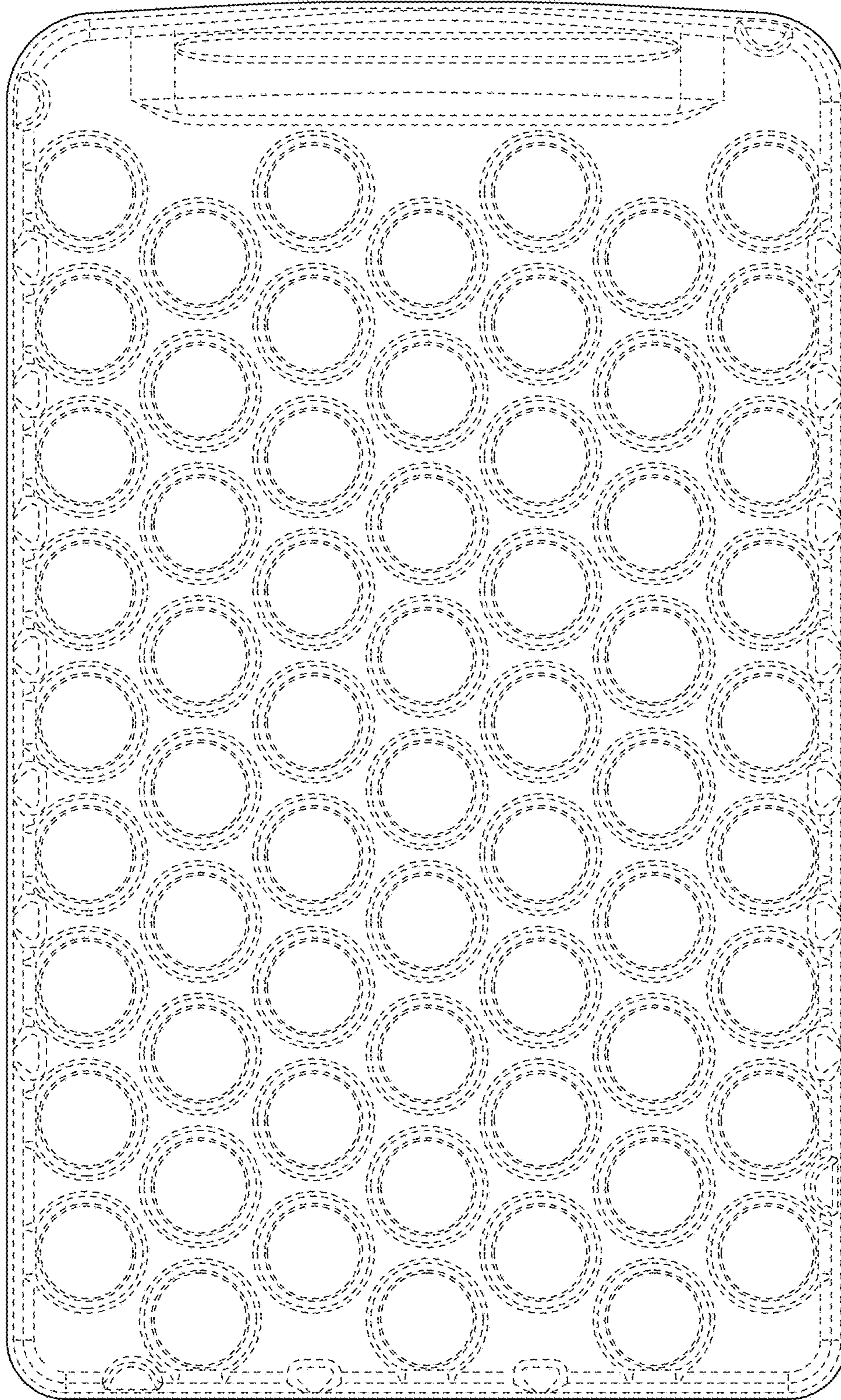


FIG. 7

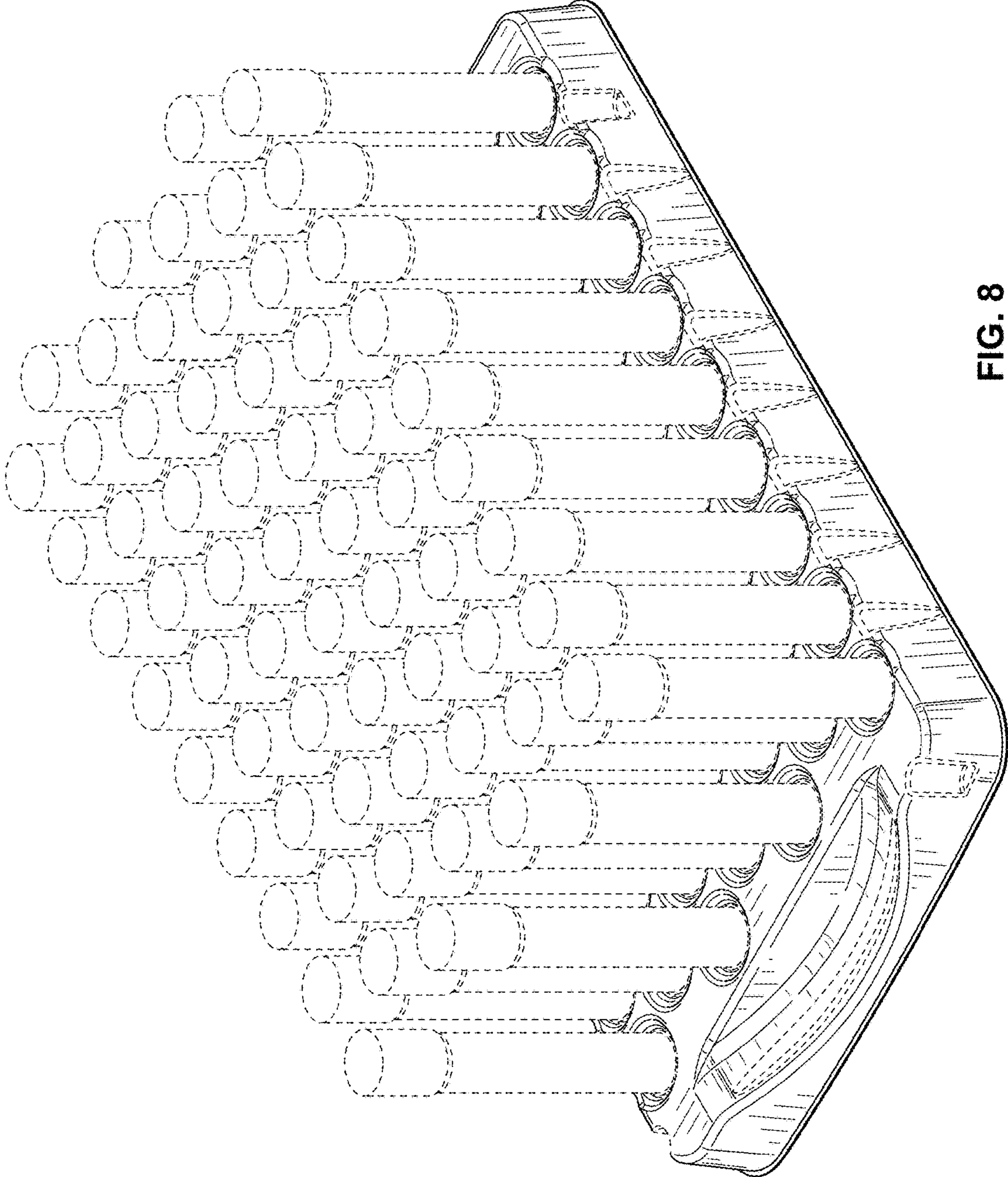


FIG. 8