



US00D826424S

(12) **United States Design Patent**  
**LiCalzi et al.**

(10) **Patent No.:** **US D826,424 S**  
(45) **Date of Patent:** **\*\* Aug. 21, 2018**

- (54) **INSTRUMENT MODULE**
- (71) Applicant: **Siemens Healthcare Diagnostics Inc.**,  
Tarrytown, NY (US)
- (72) Inventors: **Daniel LiCalzi**, New York, NY (US);  
**Youngsang Lee**, Flushing, NY (US)
- (73) Assignee: **Siemens Healthcare Diagnostics Inc.**,  
Tarrytown, NY (US)
- (\*\*) Term: **15 Years**
- (21) Appl. No.: **29/626,048**
- (22) Filed: **Nov. 14, 2017**

- D676,143 S \* 2/2013 Liu ..... D24/216
- D676,568 S \* 2/2013 Liu ..... D24/216
- D685,483 S \* 7/2013 LiCalzi ..... D24/216
- D735,878 S \* 8/2015 Chang ..... D24/216
- D738,243 S \* 9/2015 Selberg ..... D10/81
- D804,681 S \* 12/2017 LiCalzi ..... D24/216
- D806,259 S \* 12/2017 LiCalzi ..... D24/216
- D810,956 S \* 2/2018 LiCalzi ..... D24/216

(Continued)

*Primary Examiner* — Wan Laymon  
*Assistant Examiner* — Mark Booker

(57) **CLAIM**

We claim the ornamental design for an instrument module, as shown and described.

**DESCRIPTION**

FIG. 1 is a front perspective view of an instrument module in accordance with the claimed design;  
 FIG. 2 is a rear perspective view of an instrument module in accordance with the claimed design;  
 FIG. 3 is a front elevational view of an instrument module in accordance with the claimed design;  
 FIG. 4 is a rear elevational view of an instrument module in accordance with the claimed design;  
 FIG. 5 is a left side elevational view of an instrument module in accordance with the claimed design;  
 FIG. 6 is a right side elevational view of an instrument module in accordance with the claimed design;  
 FIG. 7 is a top view of an instrument module in accordance with the claimed design;  
 FIG. 8 is a bottom view of an instrument module in accordance with the claimed design; and,  
 FIG. 9 is a front elevational view of an instrument module in accordance with the claimed design showing additional environmental information.  
 The broken lines shown in the figures represent portions of the instrument module that form no part of the claimed design.

**Related U.S. Application Data**

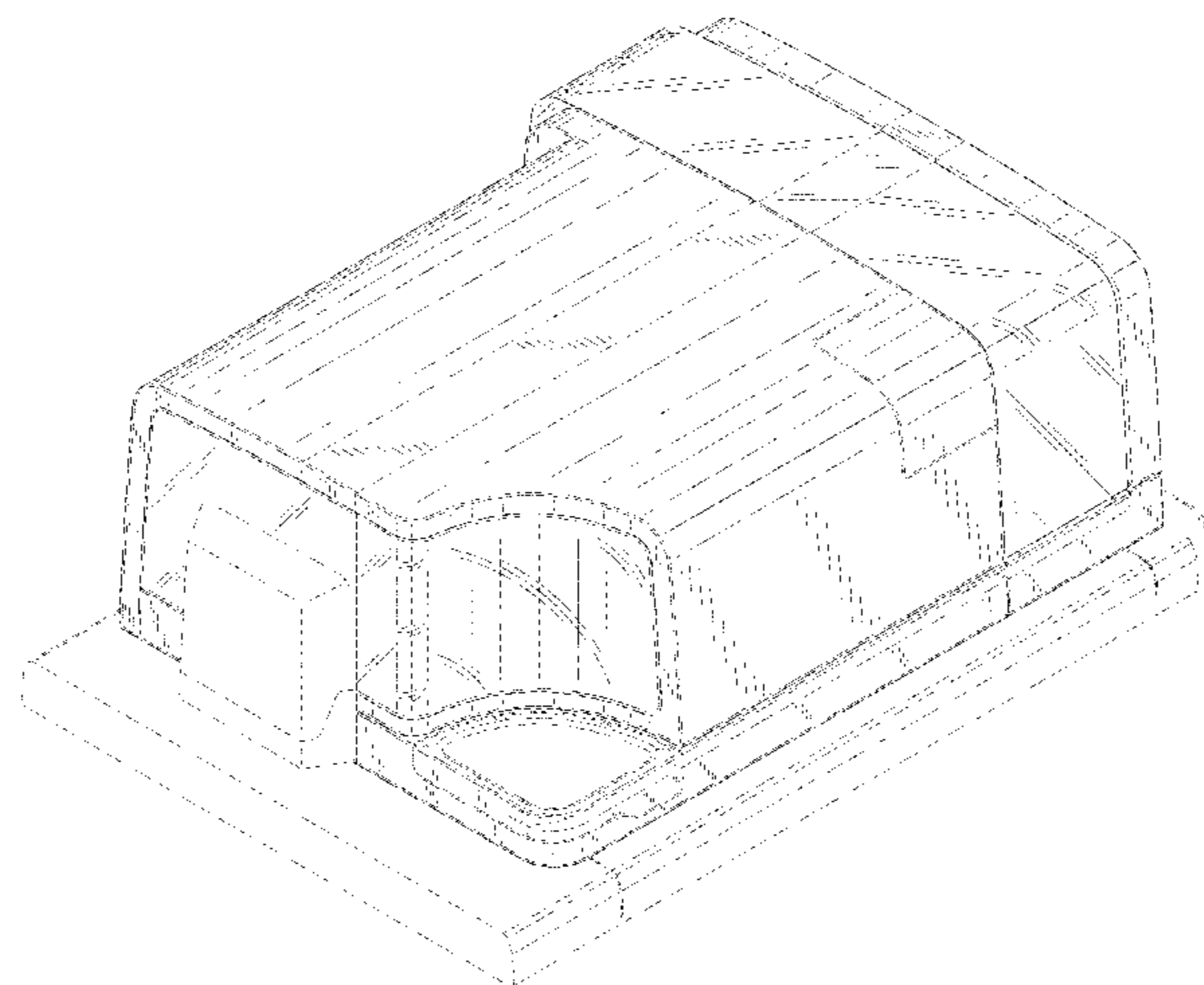
- (62) Division of application No. 29/569,384, filed on Jun. 27, 2016, now Pat. No. Des. 806,259.
- (51) **LOC (11) Cl.** ..... **24-01**
- (52) **U.S. Cl.**  
USPC ..... **D24/216**
- (58) **Field of Classification Search**  
USPC ..... D24/216, 111, 127, 107, 169, 186, 217, D24/219, 223–224, 231–234; D10/46, D10/70, 81, 97; 422/1, 62–65, 67, 68.1, 422/70, 81, 129, 500, 506, 561, 422/FOR. 106; 435/287.1, 287.3; 436/43, 45, 47; 600/300, 301, 368, 372, 600/481, 529, 544, 554, 561; 607/4, 5, 9, 607/30  
CPC ... G01R 31/31907; B04B 13/00; B04B 15/00; B04B 2005/0435; B04B 5/0421; A61B 5/157; G06F 19/366; B01D 21/262  
See application file for complete search history.

(56) **References Cited**

**U.S. PATENT DOCUMENTS**

- D645,367 S \* 9/2011 Hayashi ..... D10/81
- D669,189 S \* 10/2012 Liu ..... D24/216

**1 Claim, 9 Drawing Sheets**



(56)

**References Cited**

U.S. PATENT DOCUMENTS

D812,241 S	*	3/2018	LiCalzi .....	D24/216
D813,410 S	*	3/2018	LiCalzi .....	D24/216
D816,238 S	*	4/2018	LiCalzi .....	D24/216
D816,239 S	*	4/2018	LiCalzi .....	D24/216
D816,240 S	*	4/2018	LiCalzi .....	D24/216
D816,241 S	*	4/2018	LiCalzi .....	D24/216
D816,242 S	*	4/2018	LiCalzi .....	D24/216

\* cited by examiner

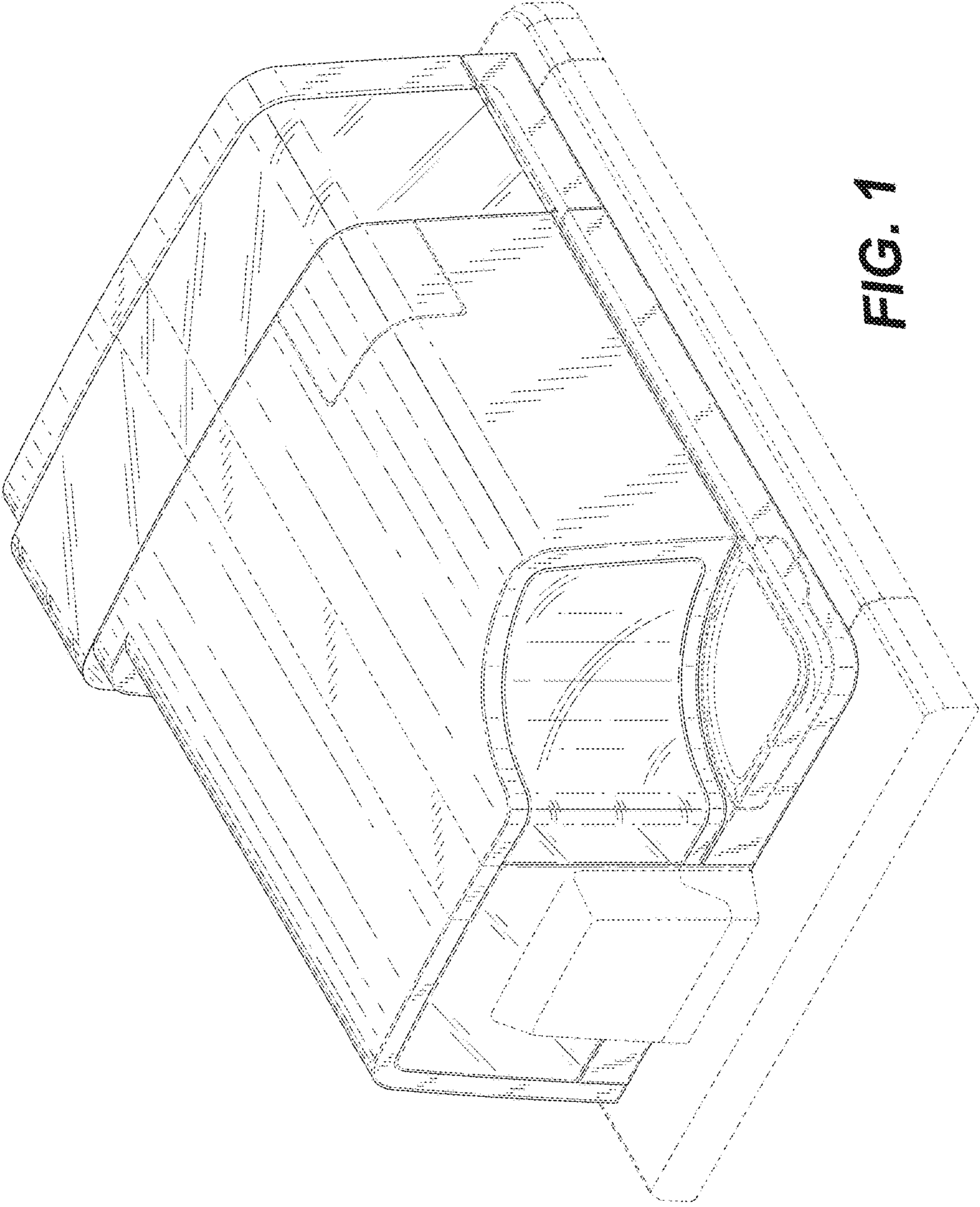


FIG. 1



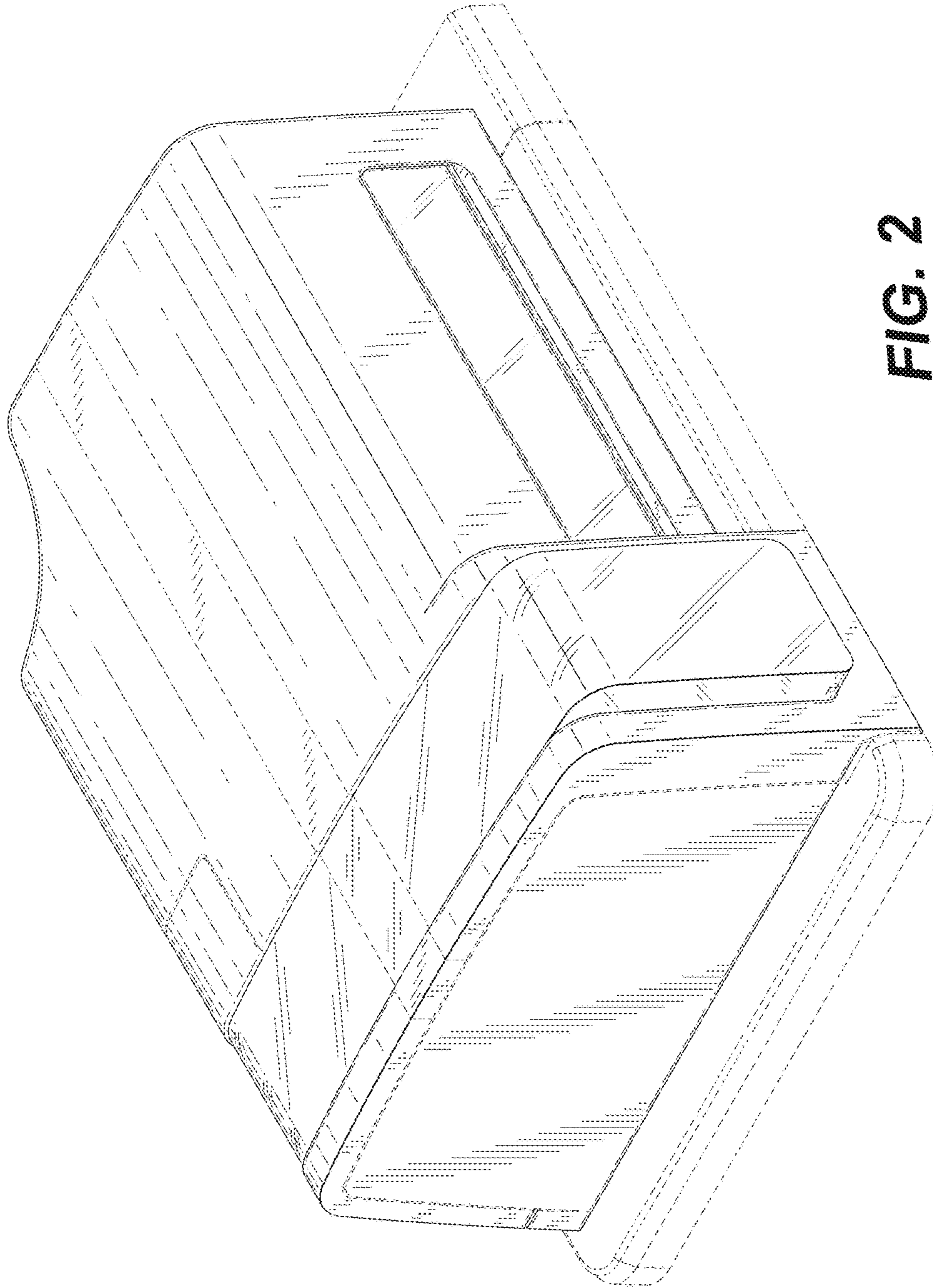


FIG. 2

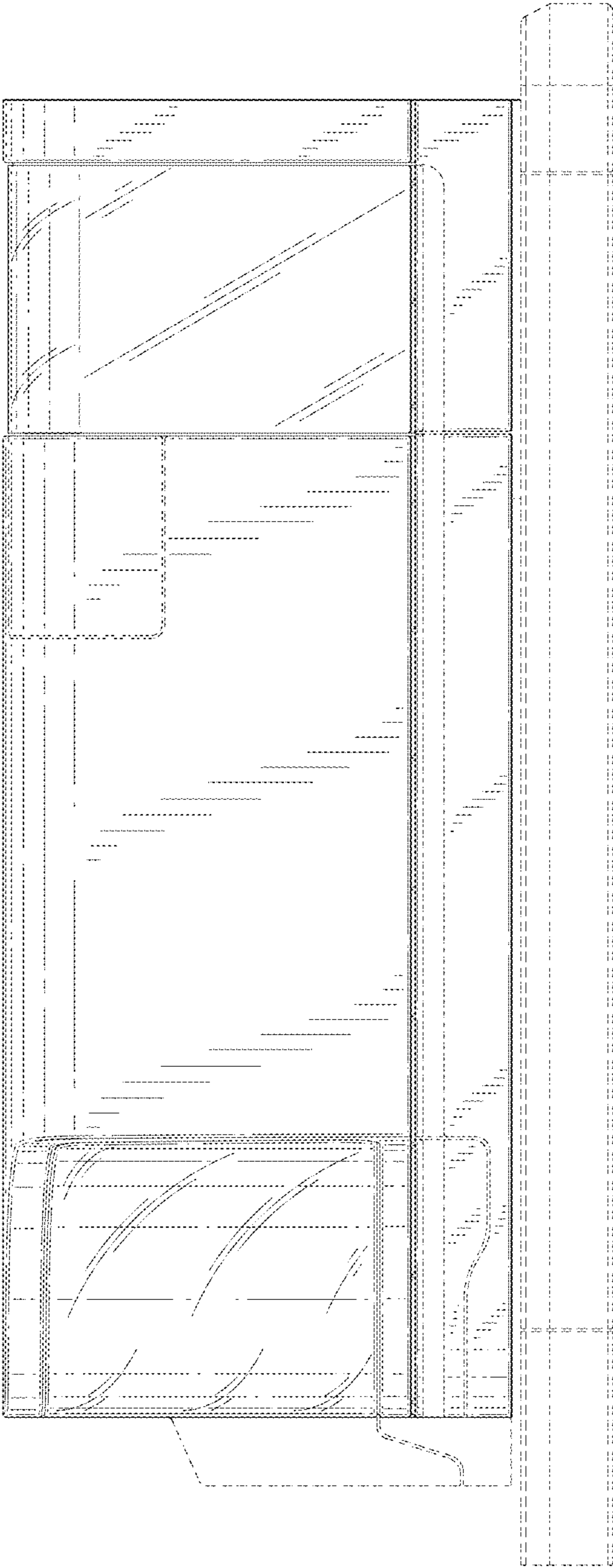


FIG. 3

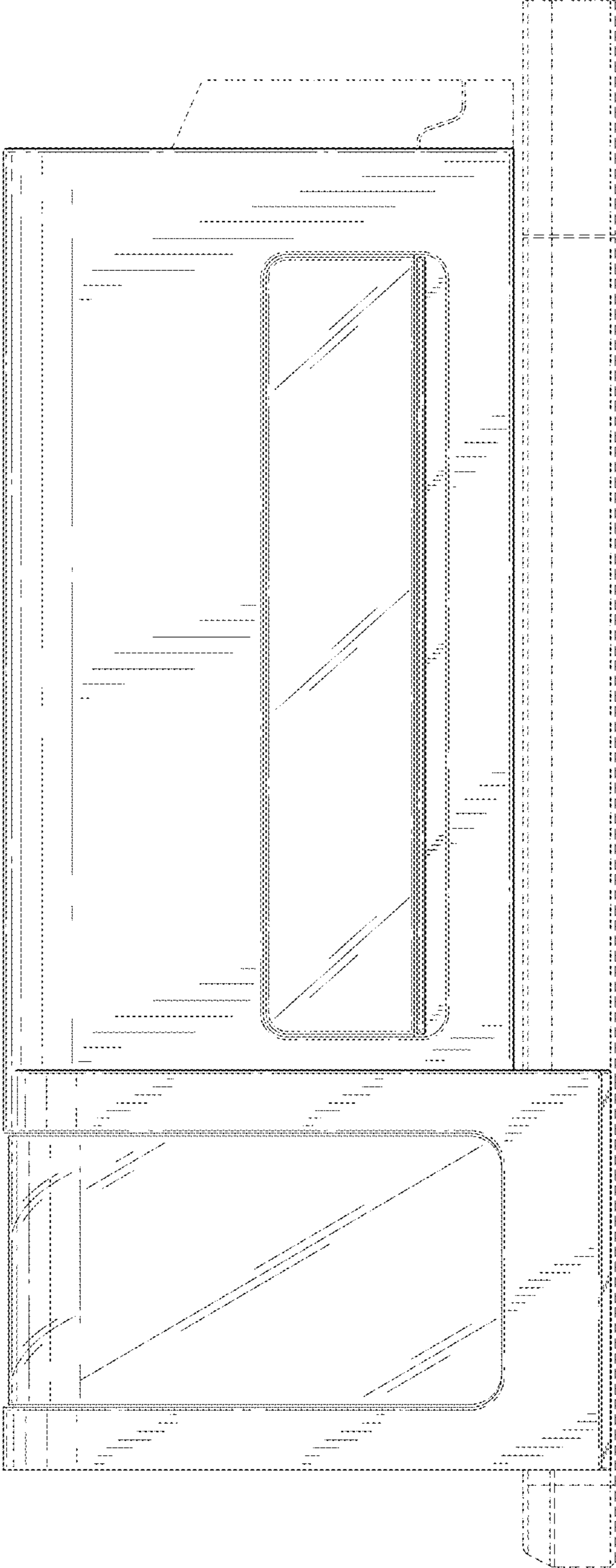


FIG. 4

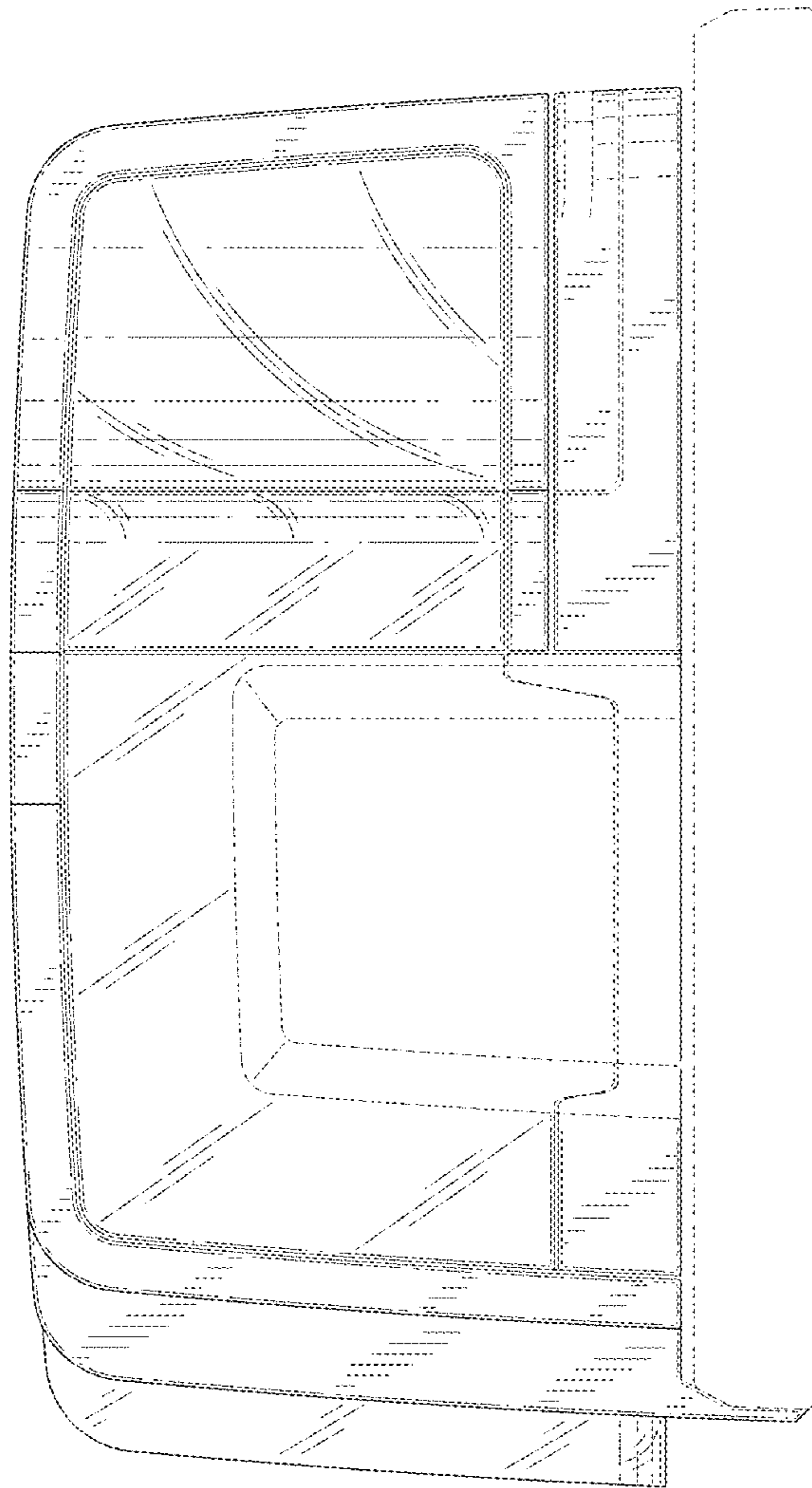


FIG. 5

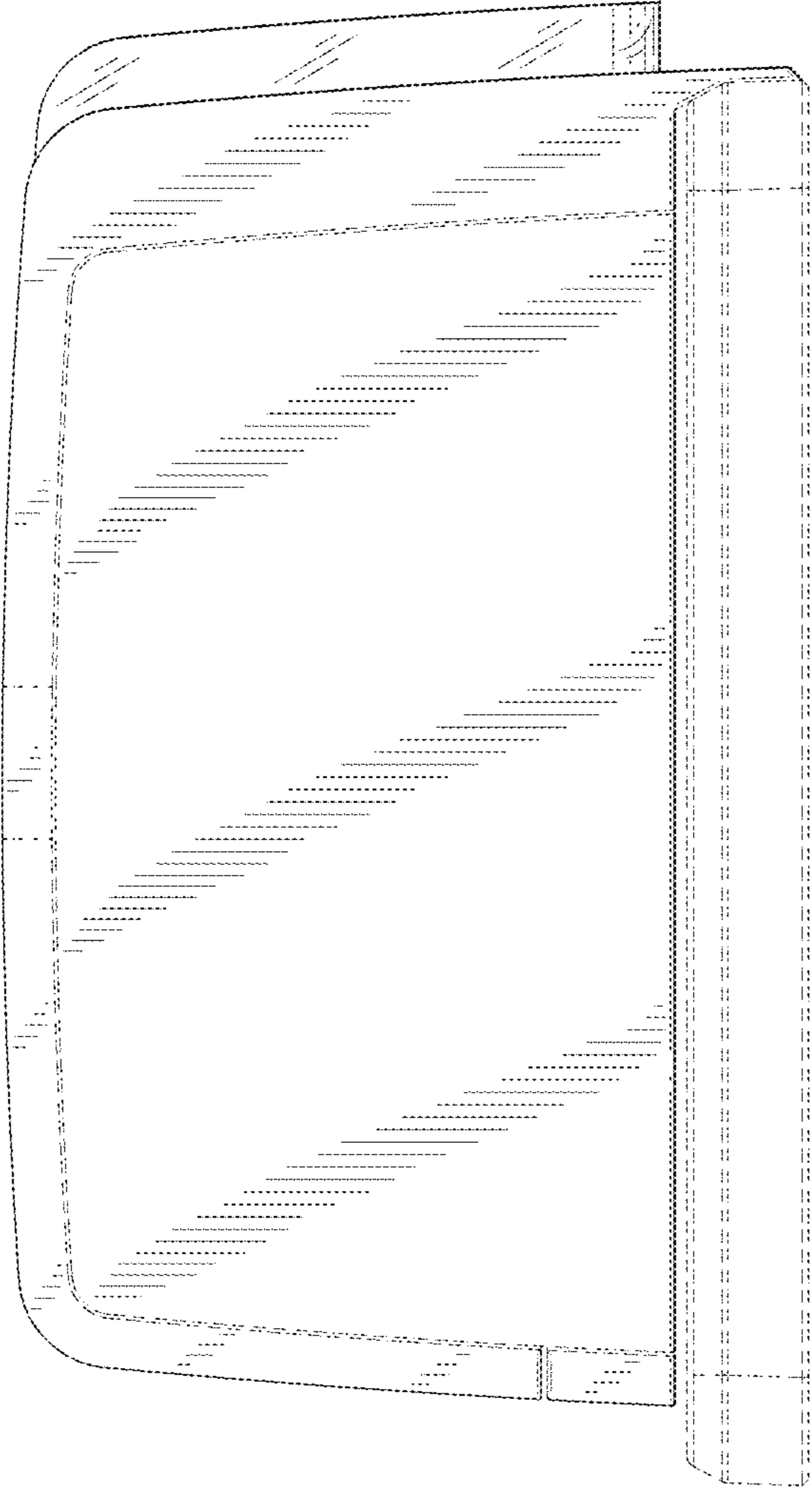


FIG. 6



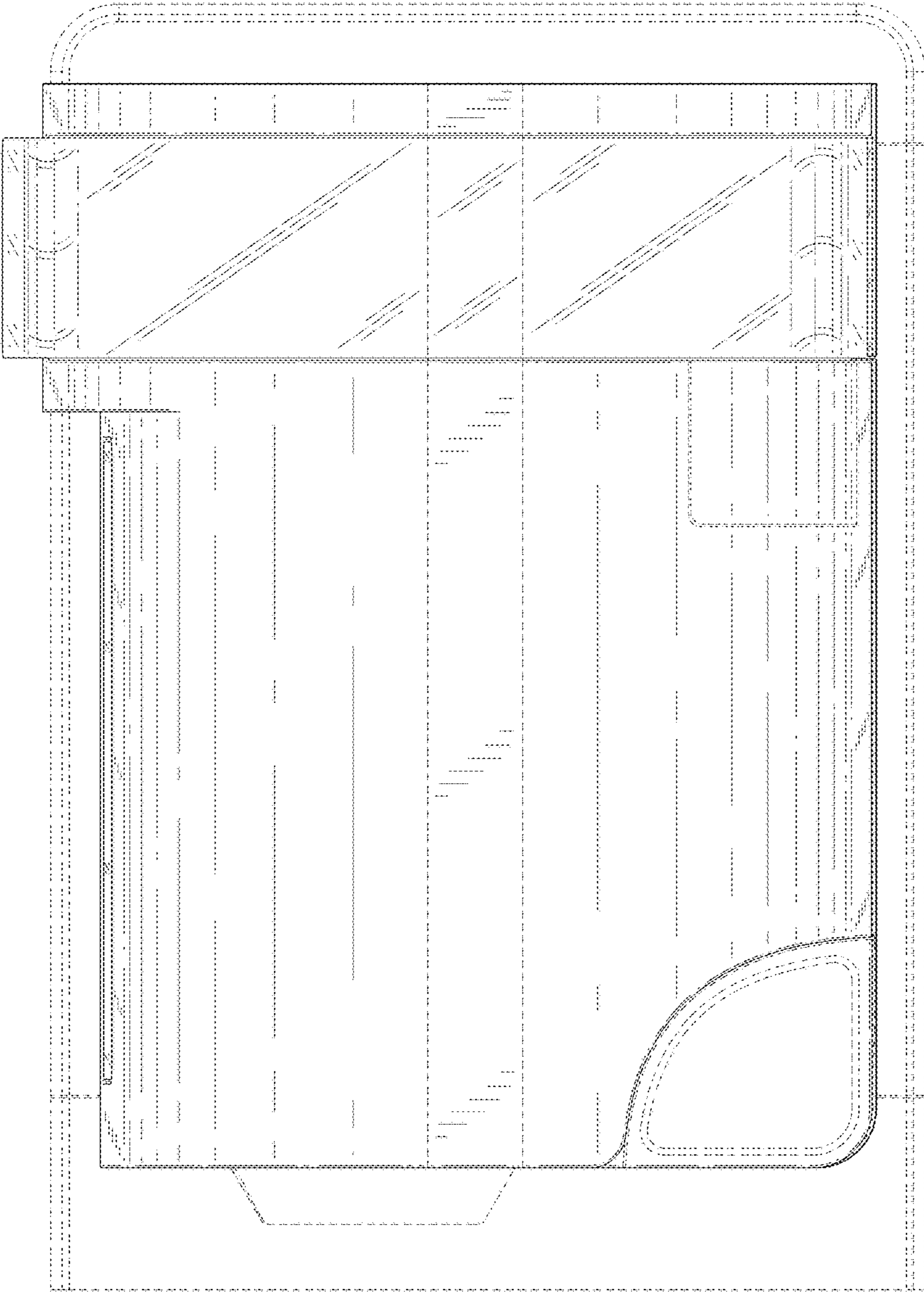


FIG. 7

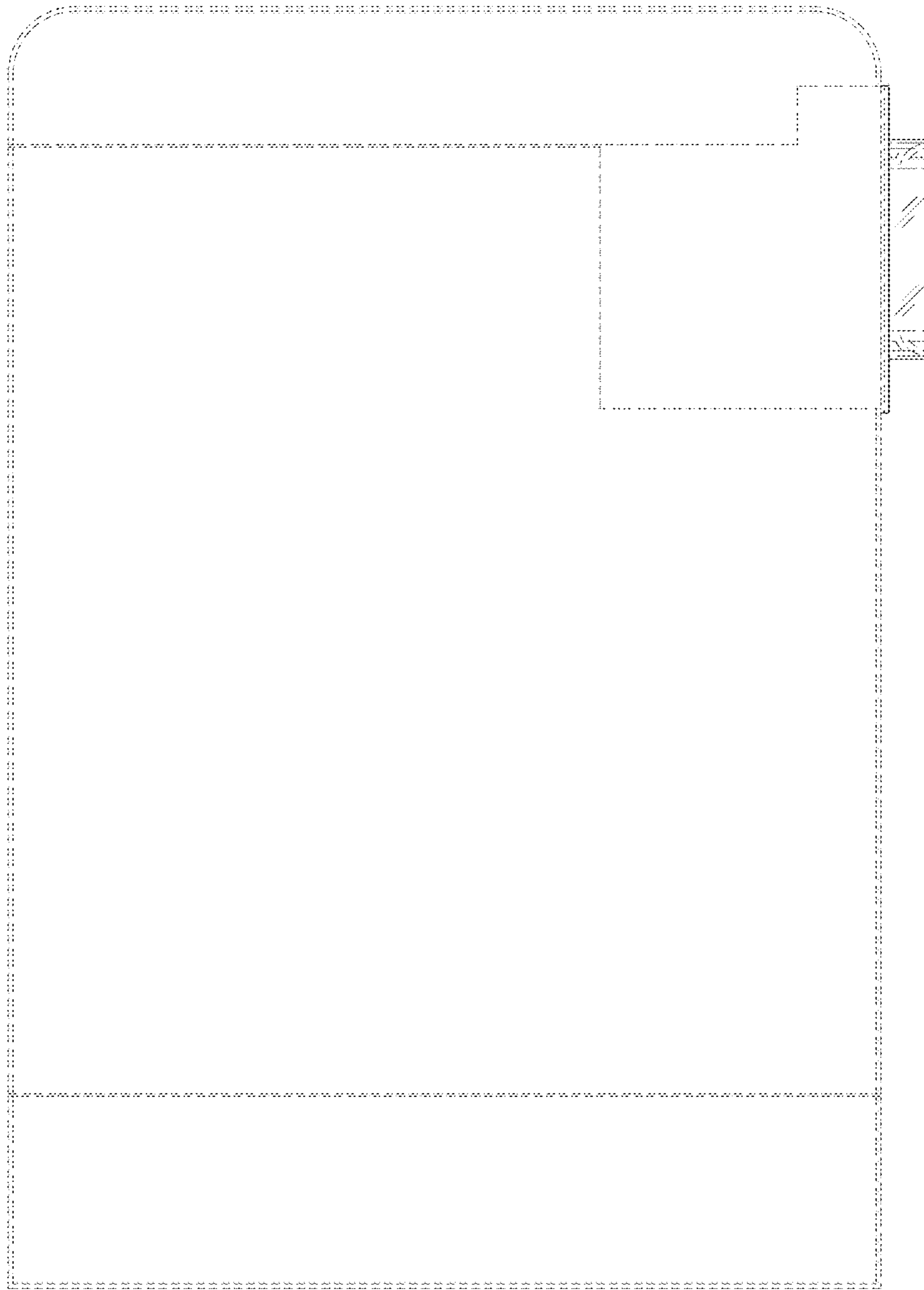


FIG. 8

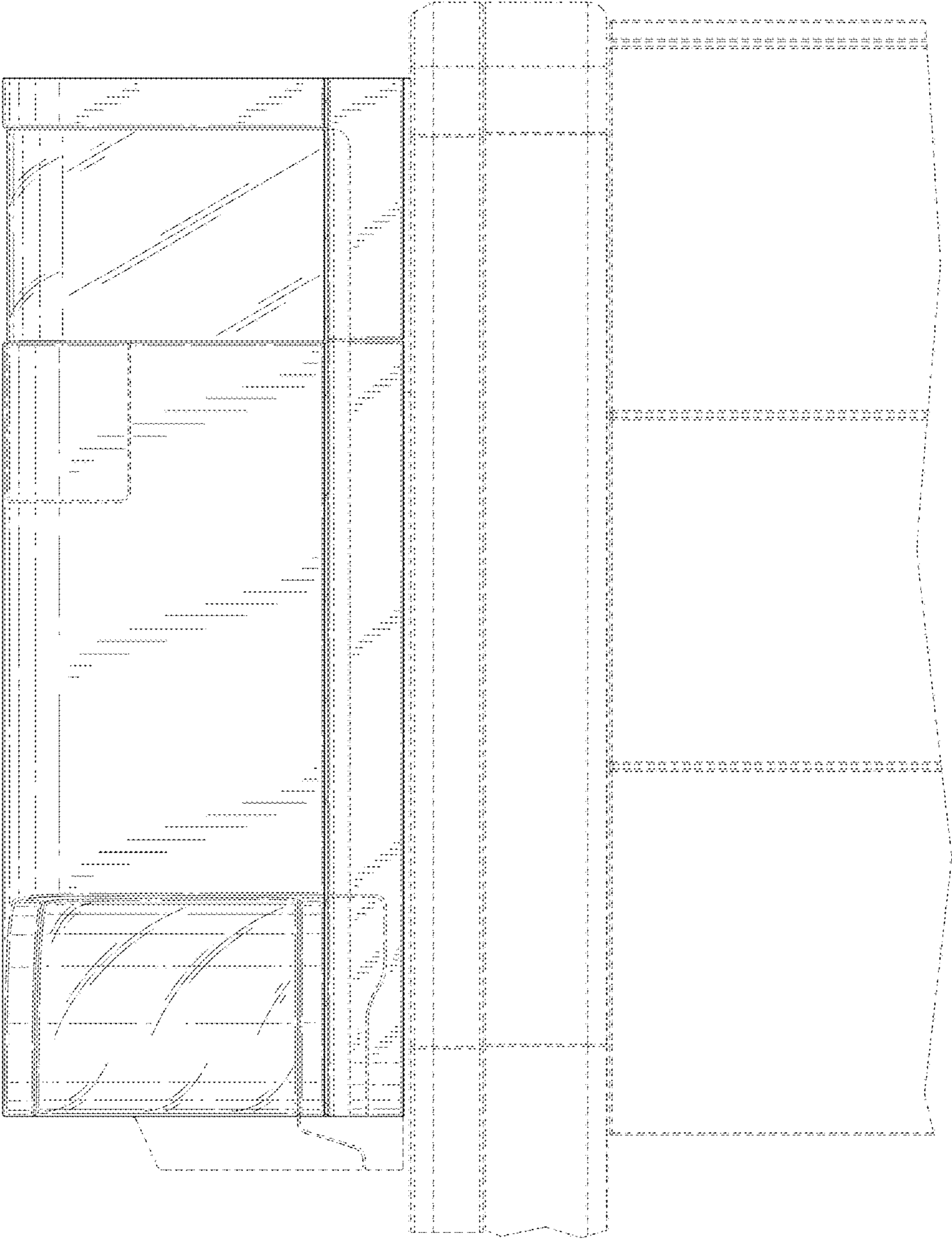


FIG. 9