



US00D826423S

(12) **United States Design Patent** (10) **Patent No.:** **US D826,423 S**  
**LiCalzi et al.** (45) **Date of Patent:** **\*\* Aug. 21, 2018**

(54) **INSTRUMENT MODULE**

(71) Applicant: **Siemens Healthcare Diagnostics Inc.**,  
Tarrytown, NY (US)

(72) Inventors: **Daniel LiCalzi**, New York, NY (US);  
**Mark Lloyd**, Townsend, DE (US);  
**Gregory Bange**, Newark, DE (US);  
**Richard Warwick**, Newark, DE (US)

(73) Assignee: **Siemens Healthcare Diagnostics Inc.**,  
Tarrytown, NY (US)

(\*\*) Term: **15 Years**

(21) Appl. No.: **29/623,783**

(22) Filed: **Oct. 26, 2017**

**Related U.S. Application Data**

(62) Division of application No. 29/569,385, filed on Jun.  
27, 2016, now Pat. No. Des. 804,681.

(51) **LOC (11) Cl.** ..... **24-01**

(52) **U.S. Cl.**  
USPC ..... **D24/216**

(58) **Field of Classification Search**

USPC ..... D24/216, 111, 127, 107, 169, 186, 217,  
D24/219, 223–224, 231–234; D10/46,  
D10/70, 81, 97; 422/1, 62–65, 67, 68.1,  
422/70, 81, 129, 500, 506, 561,  
422/FOR. 106; 435/287.1, 287.3;  
436/43, 45, 47; 600/300, 301, 368, 372,  
600/481, 529, 544, 554, 561; 607/4, 5, 9,  
607/30

CPC ... G01R 31/31907; B04B 13/00; B04B 15/00;  
B04B 2005/0435; B04B 5/0421; A61B  
5/157; G06F 19/366; B01D 21/262

See application file for complete search history.

(56) **References Cited**

U.S. PATENT DOCUMENTS

D645,367	S	*	9/2011	Hayashi	.....	D10/81
D669,189	S	*	10/2012	Liu	.....	D24/216
D676,143	S	*	2/2013	Liu	.....	D24/216
D676,568	S	*	2/2013	Liu	.....	D24/216
D685,483	S	*	7/2013	LiCalzi	.....	D24/216
D735,878	S	*	8/2015	Chang	.....	D24/216
D738,243	S	*	9/2015	Selberg	.....	D10/81
D804,681	S	*	12/2017	LiCalzi	.....	D24/216
D806,259	S	*	12/2017	LiCalzi	.....	D24/216
D810,956	S	*	2/2018	LiCalzi	.....	D24/216
D812,241	S	*	3/2018	LiCalzi	.....	D24/216

(Continued)

*Primary Examiner* — Wan Laymon  
*Assistant Examiner* — Mark Booker

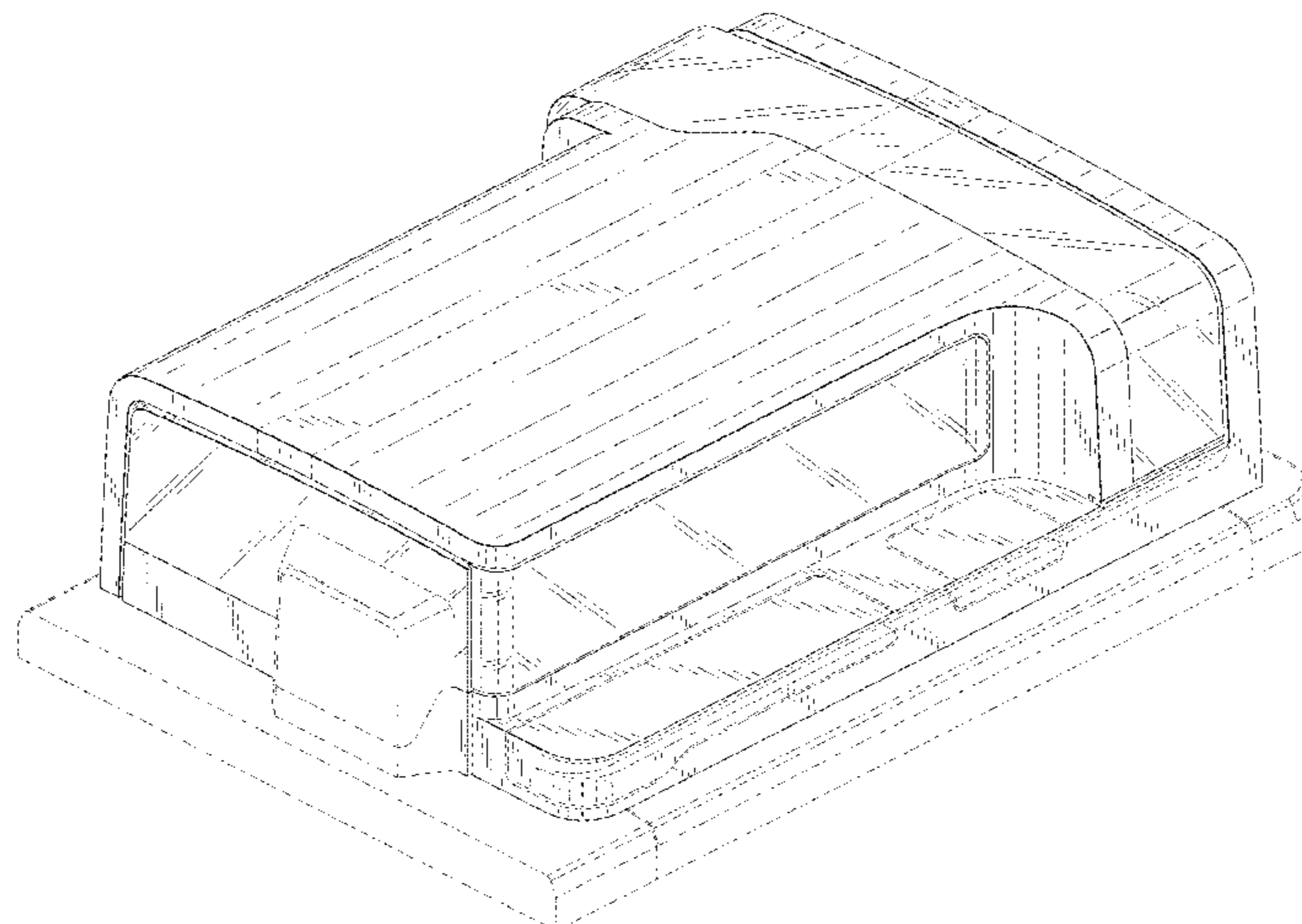
(57) **CLAIM**

The ornamental design for an instrument module, as shown and described.

**DESCRIPTION**

FIG. 1 is a front perspective view of an instrument module in accordance with the claimed design;  
FIG. 2 is a rear perspective view of an instrument module in accordance with the claimed design;  
FIG. 3 is a front elevational view of an instrument module in accordance with the claimed design;  
FIG. 4 is a rear elevational view of an instrument module in accordance with the claimed design;  
FIG. 5 is a left side elevational view of an instrument module in accordance with the claimed design;  
FIG. 6 is a right side elevational view of an instrument module in accordance with the claimed design;  
FIG. 7 is a top view of an instrument module in accordance with the claimed design; and,  
FIG. 8 is a bottom view of an instrument module in accordance with the claimed design.  
The broken lines shown in the figures represent portions of the instrument module that form no part of the claimed design.

**1 Claim, 8 Drawing Sheets**



(56)

**References Cited**

U.S. PATENT DOCUMENTS

D813,410 S *	3/2018	LiCalzi .....	D24/216
D816,238 S *	4/2018	LiCalzi .....	D24/216
D816,239 S *	4/2018	LiCalzi .....	D24/216
D816,240 S *	4/2018	LiCalzi .....	D24/216
D816,241 S *	4/2018	LiCalzi .....	D24/216
D816,242 S *	4/2018	LiCalzi .....	D24/216

\* cited by examiner

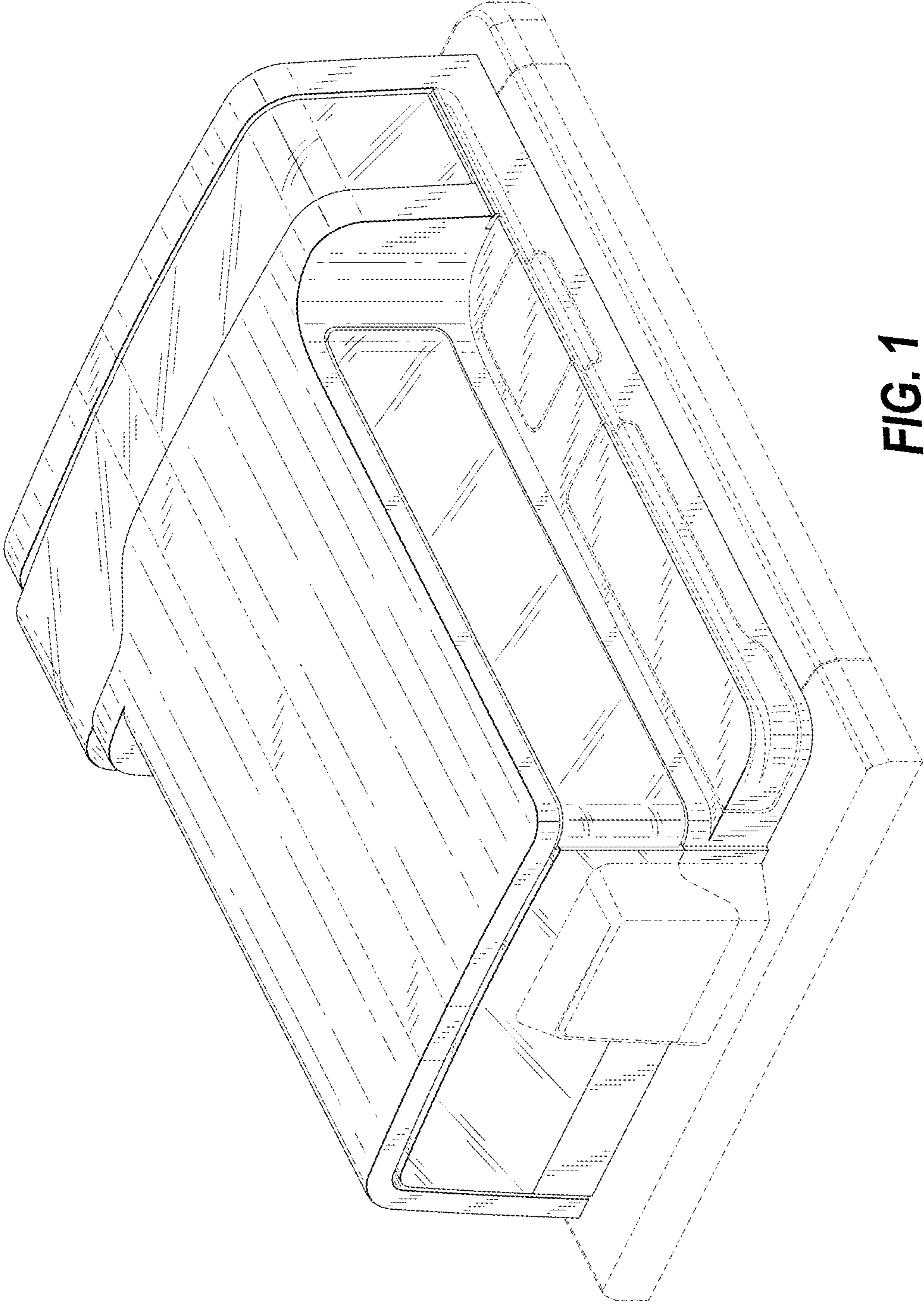


FIG. 1



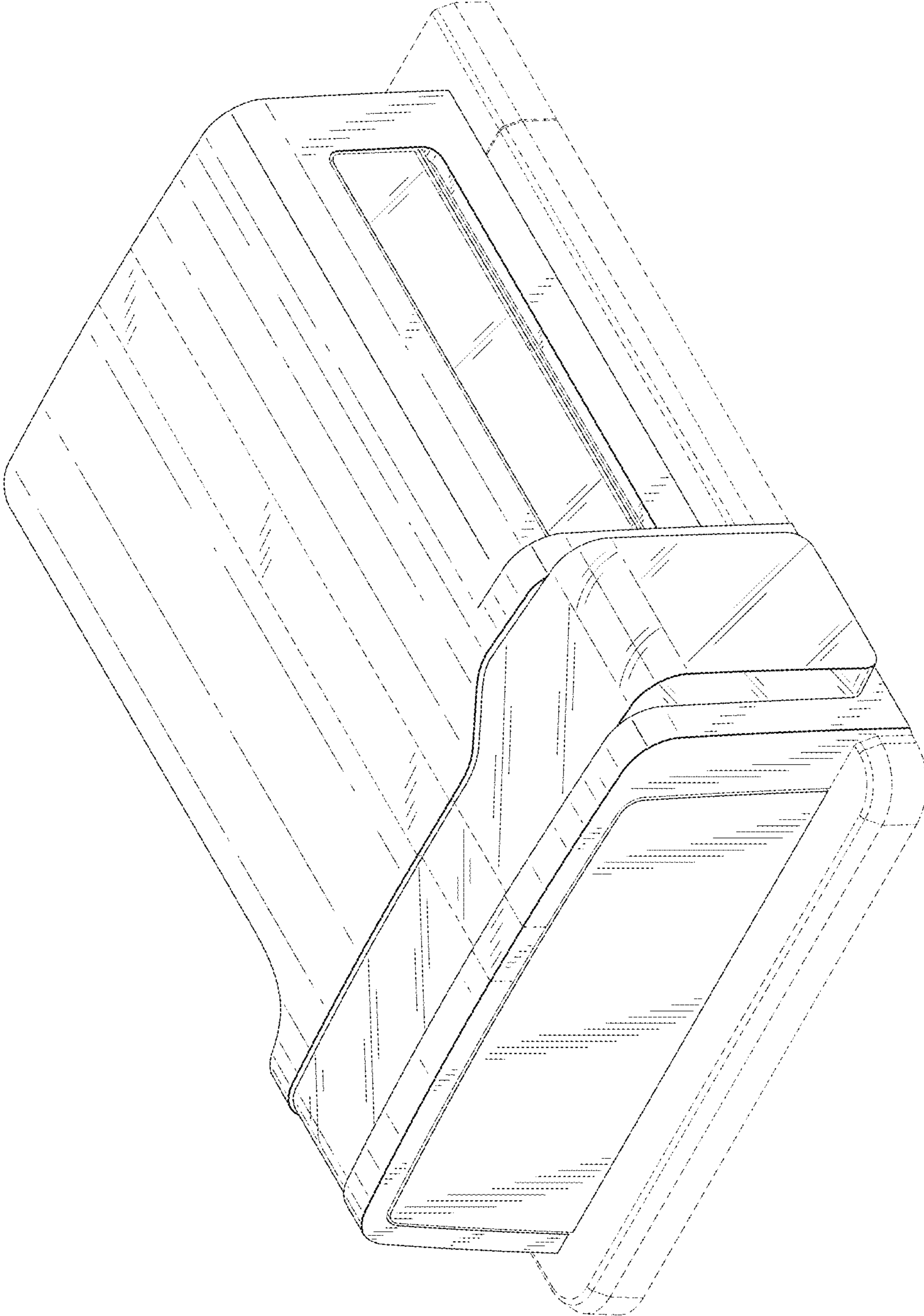


FIG. 2

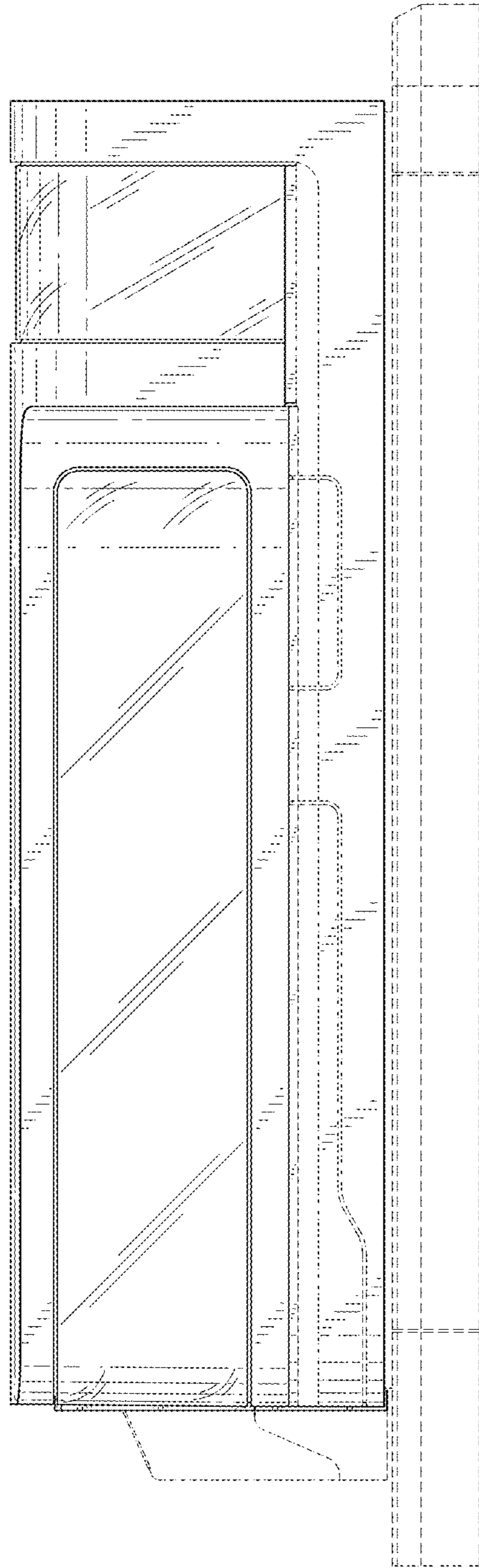
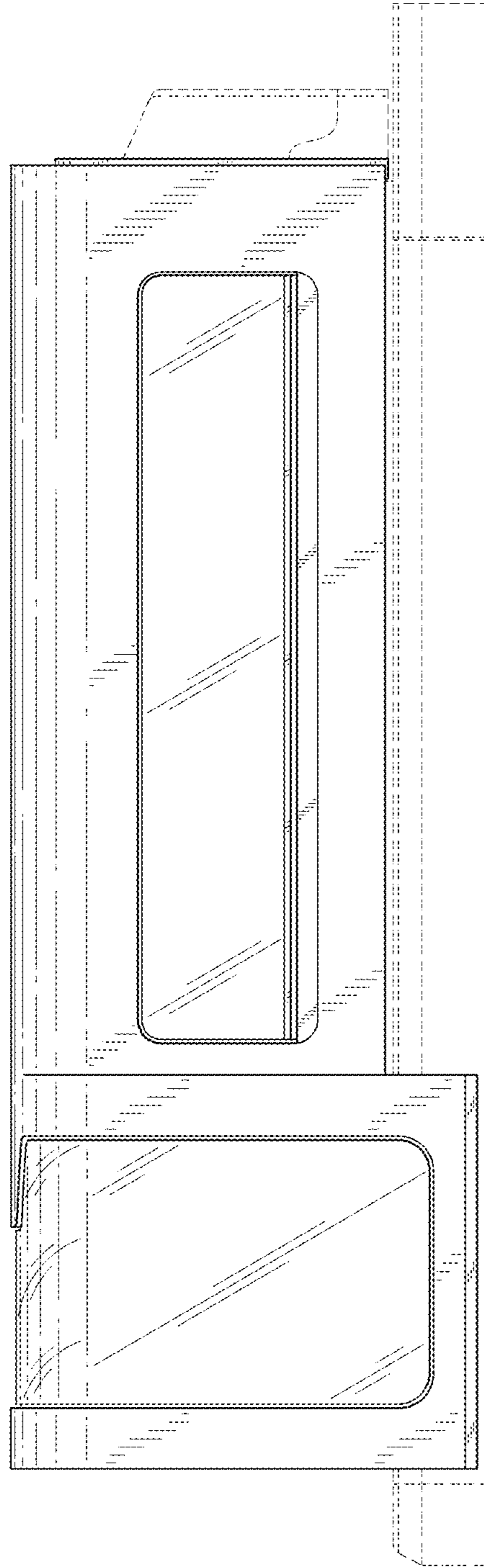
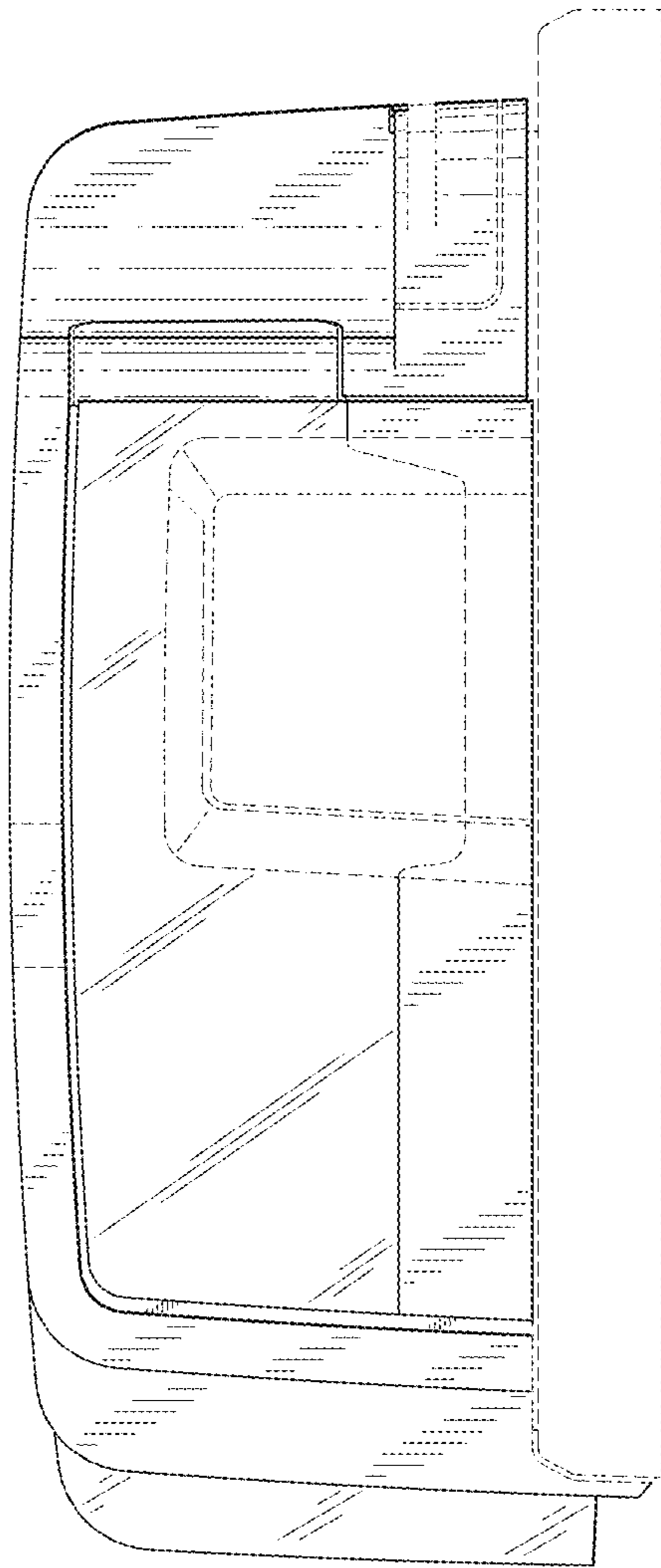


FIG. 3



**FIG. 4**



**FIG. 5**

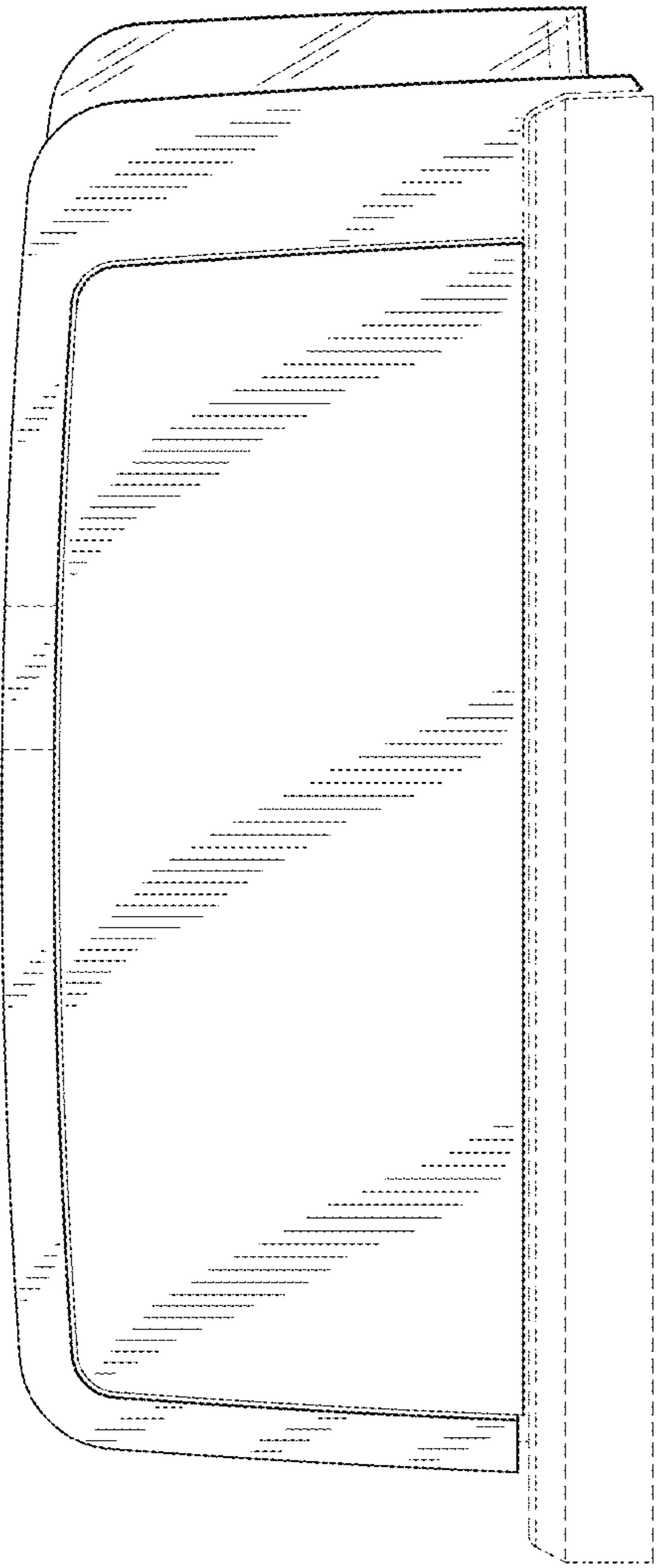


FIG. 6



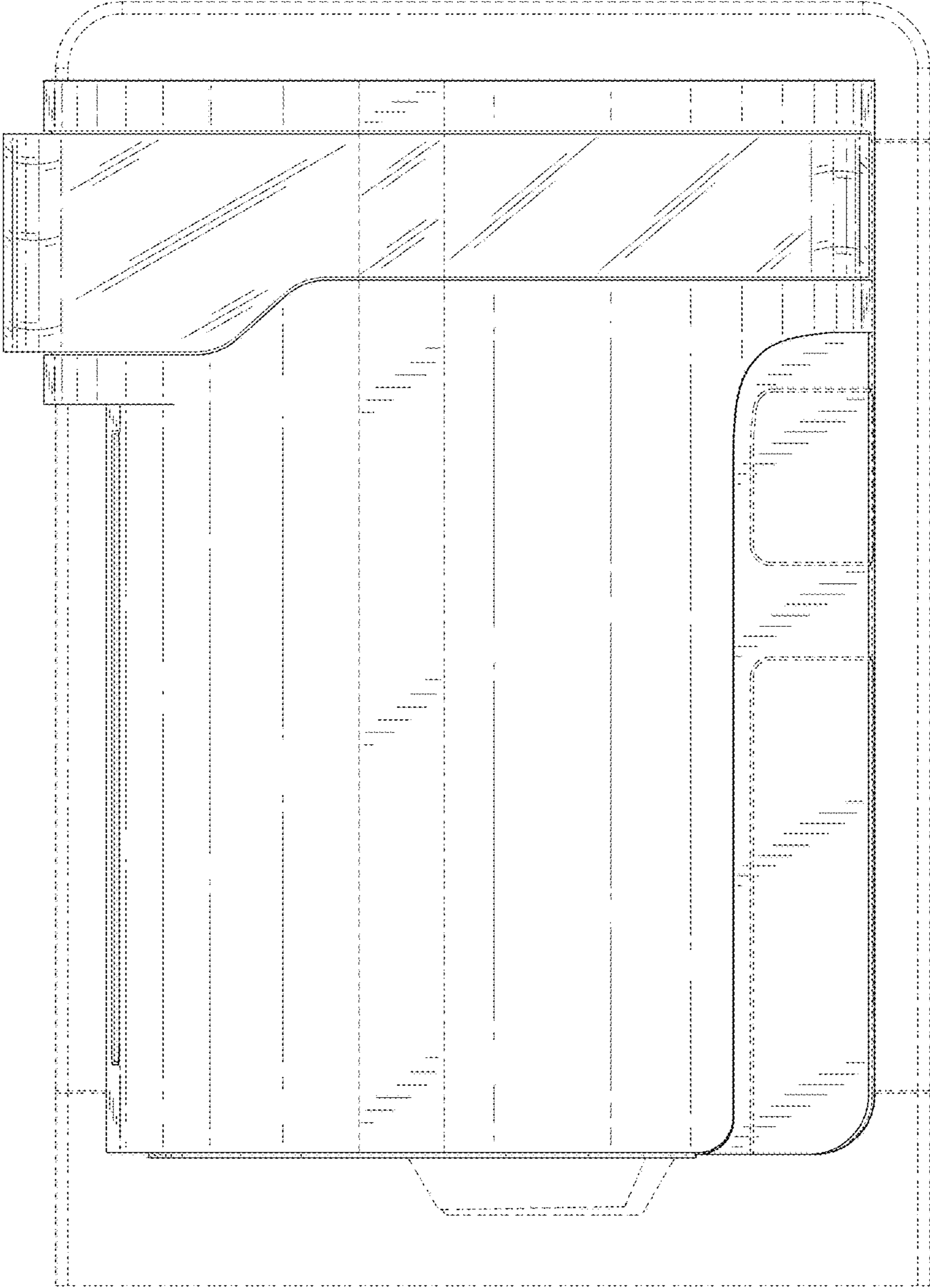


FIG. 7

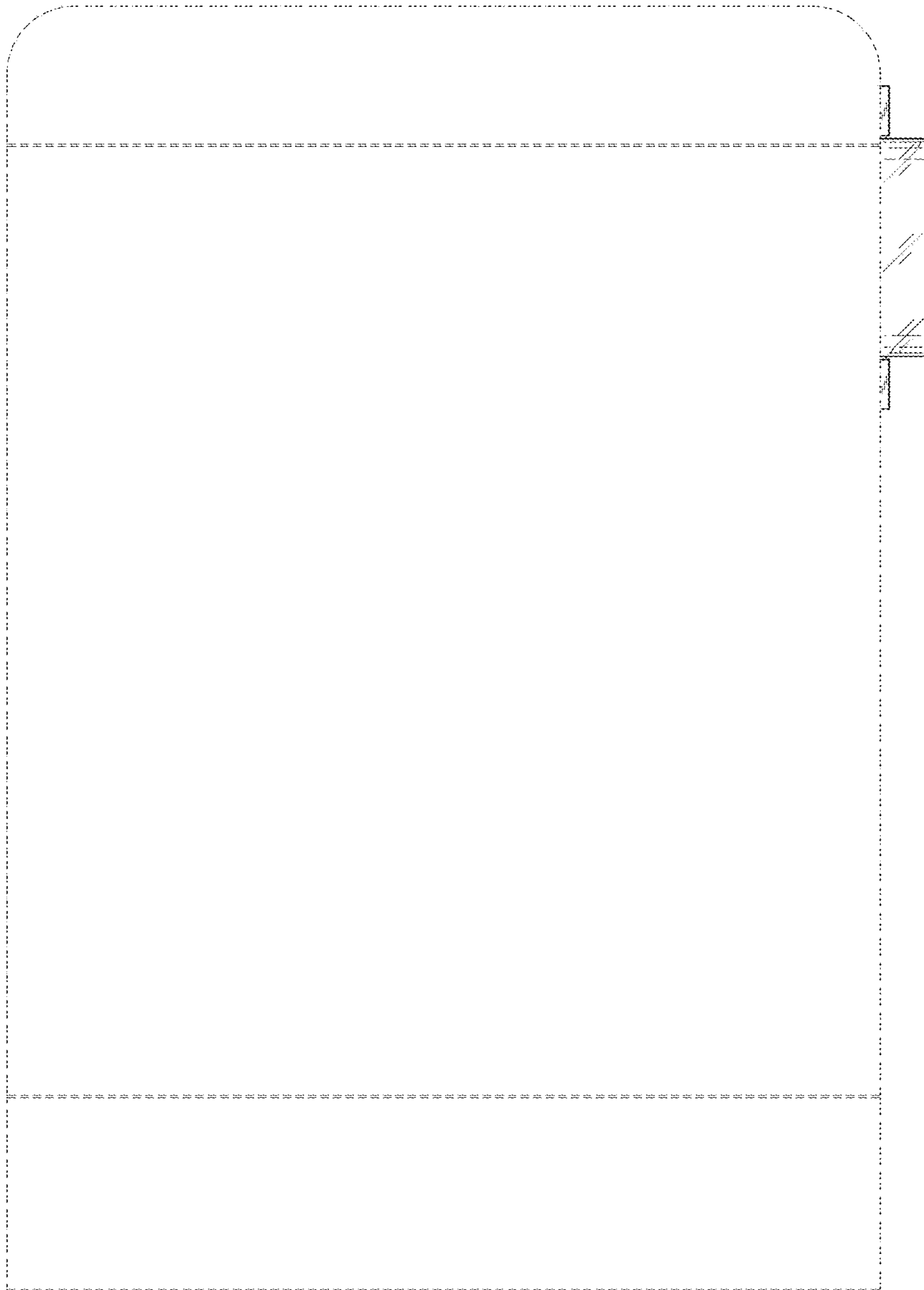


FIG. 8