



US00D826416S

(12) **United States Design Patent** (10) **Patent No.:** **US D826,416 S**
Lay et al. (45) **Date of Patent:** **** Aug. 21, 2018**

(54) **FLEXIBLE PRINTED CIRCUIT BOARD FOR PHOTOTHERAPY CAP**

(71) Applicant: **PhotonMD, Inc.**, Morrisville, NC (US)

(72) Inventors: **James Michael Lay**, Apex, NC (US); **Matthew Carl Reynolds**, Chapel Hill, NC (US); **Owen Lewis Joyce**, Cary, NC (US); **Ryan Goffrid Springer**, Garner, NC (US)

(73) Assignee: **PHOTONMD, INC.**, Morrisville, NC (US)

(**) Term: **15 Years**

(21) Appl. No.: **29/600,521**

(22) Filed: **Apr. 13, 2017**

Related U.S. Application Data

(63) Continuation-in-part of application No. PCT/US2016/044403, filed on Jul. 28, 2016.

(51) **LOC (11) Cl.** **28-03**

(52) **U.S. Cl.**
USPC **D24/209**

(58) **Field of Classification Search**
USPC D24/107, 186, 158, 231, 200, 209, 210,
D24/214, 215, 187; D26/37-39; D28/9;
D29/102, 103, 122

(Continued)

(56) **References Cited**

U.S. PATENT DOCUMENTS

D267,287 S * 12/1982 Gooding D29/122
5,228,431 A 7/1993 Giarretto

(Continued)

FOREIGN PATENT DOCUMENTS

AU 2016100390 A4 7/2016
EP 3069762 A1 9/2016
WO 2008144157 A1 11/2008

OTHER PUBLICATIONS

Author Unknown, "Theradome Laser Helmet Review—A 120 Day Continuous Journal," Prevent Hair Loss Products, Jan. 14, 2014, retrieved Jun. 27, 2017, <https://web.archive.org/web/20140610024017/http://preventhairlossproducts.com:80/theradome-laser-helmet-review-120-day-continuous-journal/>, pp. 1-4.

(Continued)

Primary Examiner — Anhdao Doan

(74) *Attorney, Agent, or Firm* — Withrow & Terranova, P.L.L.C.; Vincent K. Gustafson

(57) **CLAIM**

The ornamental design for a flexible printed circuit board for a phototherapy cap, as shown and described.

DESCRIPTION

FIG. 1 is a upper perspective view of a flexible printed circuit board for a phototherapy cap in a first configuration showing our new design;

FIG. 2 is a lower perspective view thereof;

FIG. 3 is a rear elevational view thereof;

FIG. 4 is a front elevational view thereof;

FIG. 5 is a left side elevational view thereof;

FIG. 6 is a right side elevational view thereof;

FIG. 7 is a top plan view thereof;

FIG. 8 is a bottom plan view thereof

FIG. 9 is an upper perspective view of the flexible printed circuit board for a phototherapy cap in a second configuration;

FIG. 10 is a top plan view thereof;

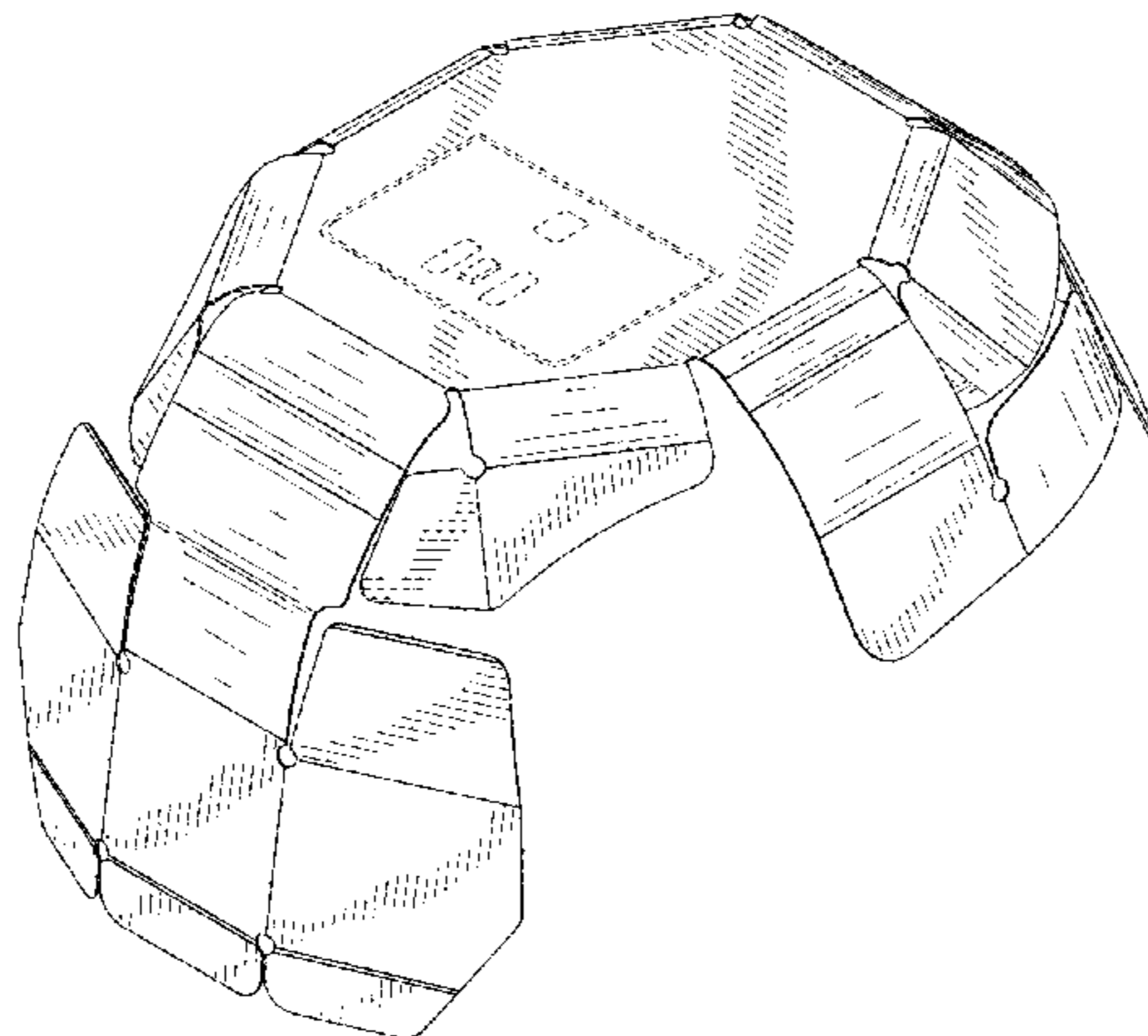
FIG. 11 is a bottom plan view thereof; and,

FIG. 12 is a left side elevational view thereof, the right side elevational view being a mirror image.

The right side elevation view of the flexible printed circuit board for a phototherapy cap according to FIGS. 1 to 12 in the second, flat position is a mirror image of the left side elevation view of FIG. 12.

The broken lines immediately adjacent the shaded areas represent the bounds of the claim, while all other broken

(Continued)



lines are directed to environment and are for illustrative purposes only; the broken lines form no part of the claimed design.

1 Claim, 12 Drawing Sheets

(58) Field of Classification Search

CPC A61N 5/0616; A61N 5/0617; A61N 5/062;
 A61N 5/0627; A61N 5/0625; A61N
 2005/0643; A61N 2005/0644; A61N
 2005/0645; A61N 2005/0647; A61N
 2005/0651; A61N 2005/0652; A61B
 2018/00452; A61B 2018/1807

See application file for complete search history.

(56) References Cited

U.S. PATENT DOCUMENTS

D348,520 S	7/1994	Wolf	
D369,668 S	5/1996	Stojanovic	
D382,671 S	8/1997	Shewchenko	
D536,814 S	2/2007	Choi	
D556,951 S	12/2007	Gath	
D631,971 S *	2/2011	Turtzo D24/209
D635,686 S	4/2011	Tucker et al.	
D640,793 S	6/2011	Britt	
8,146,607 B2 *	4/2012	Rabin A42B 1/24 132/202
8,192,473 B2	6/2012	Tucker et al.	
D669,638 S *	10/2012	Martinez D29/102
D670,869 S *	11/2012	Harris D29/122
D682,437 S *	5/2013	Olson D24/200
D695,966 S	12/2013	Futterer	

D704,338 S *	5/2014	Van Den Bergh D24/158
D724,232 S	3/2015	Bengochea et al.	
D754,897 S	4/2016	Michaels et al.	
D762,870 S	8/2016	Singh	
D763,461 S	8/2016	Ma	
D777,339 S	1/2017	Chen	
D778,456 S	2/2017	Knaus et al.	
D790,723 S	6/2017	Kennedy et al.	
D804,047 S	11/2017	Michaels et al.	
D812,308 S	3/2018	Hall et al.	
2003/0167080 A1	9/2003	Hart et al.	
2007/0233208 A1 *	10/2007	Kurtz A61N 5/0613 607/88
2010/0242155 A1	9/2010	Carullo, Jr.	
2011/0015707 A1	1/2011	Tucker et al.	
2011/0144727 A1	6/2011	Benedict	
2011/0160814 A2	6/2011	Tucker et al.	
2011/0301673 A1 *	12/2011	Hoffer A61N 5/0613 607/91
2012/0059440 A1	3/2012	Hamid	
2014/0148879 A1 *	5/2014	Mersch A61N 1/0476 607/90
2014/0350643 A1	11/2014	Pepitone et al.	
2015/0005854 A1	1/2015	Said	
2015/0297914 A1	10/2015	Hamid et al.	
2016/0051835 A1	2/2016	Tapper et al.	
2016/0106999 A1	4/2016	Michaels et al.	
2016/0271420 A1	9/2016	Pina	

OTHER PUBLICATIONS

Non-Final Office Action for U.S. Appl. No. 29/600,518, dated Apr. 6, 2018, 8 pages.
 Restriction Requirement for U.S. Appl. No. 29/600,523, dated Apr. 11, 2018, 6 pages.

* cited by examiner

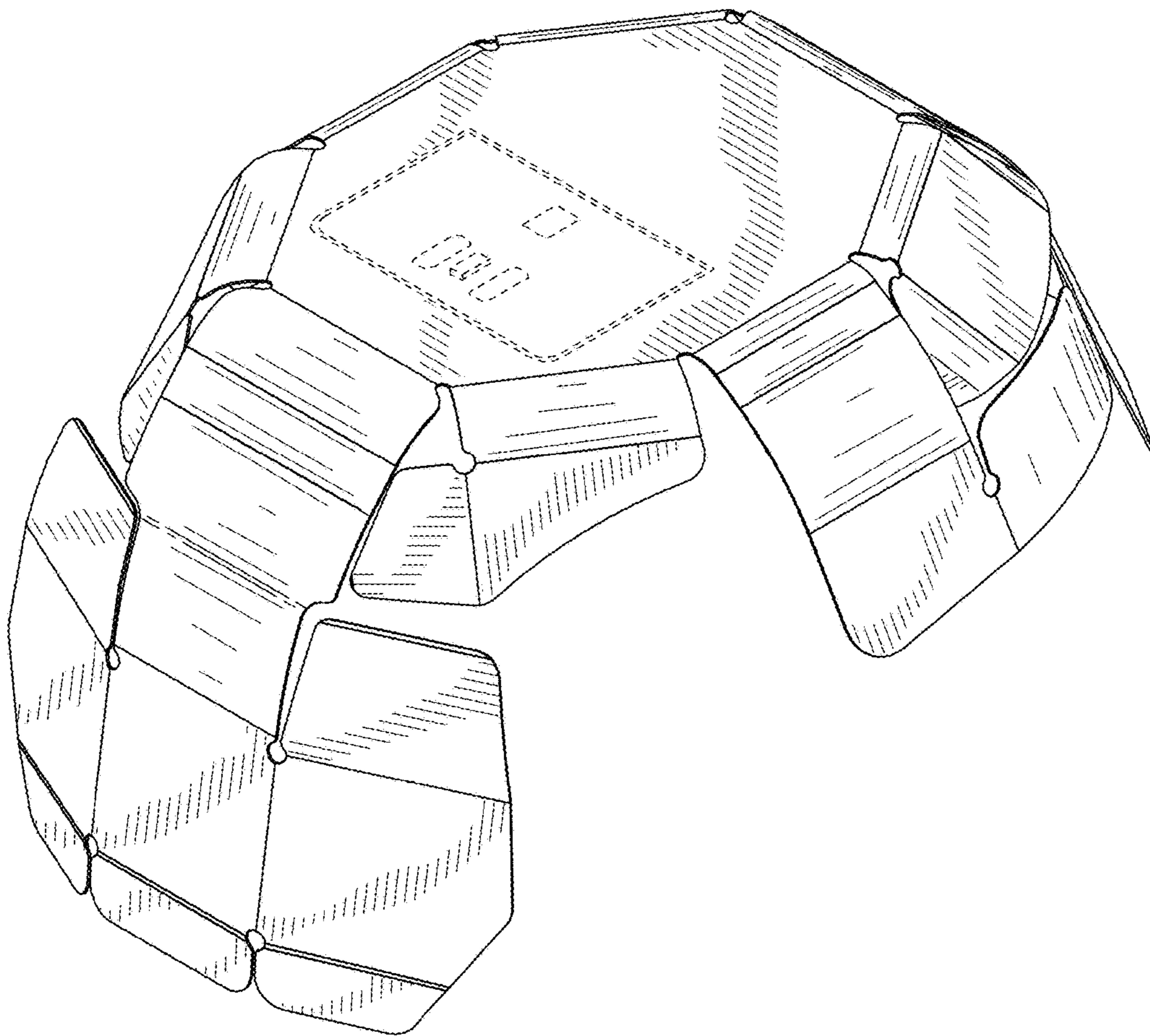


FIG. 1

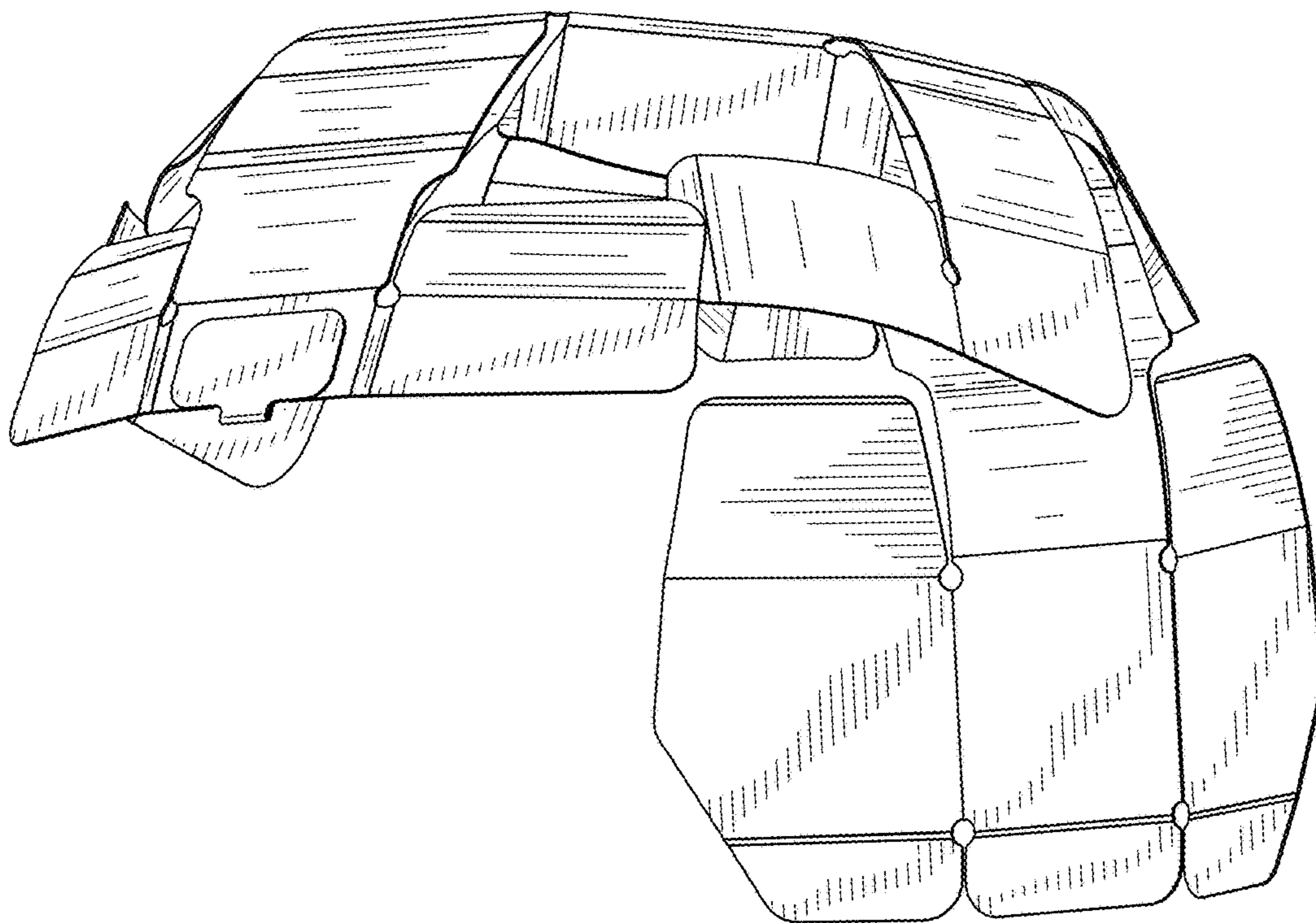


FIG. 2

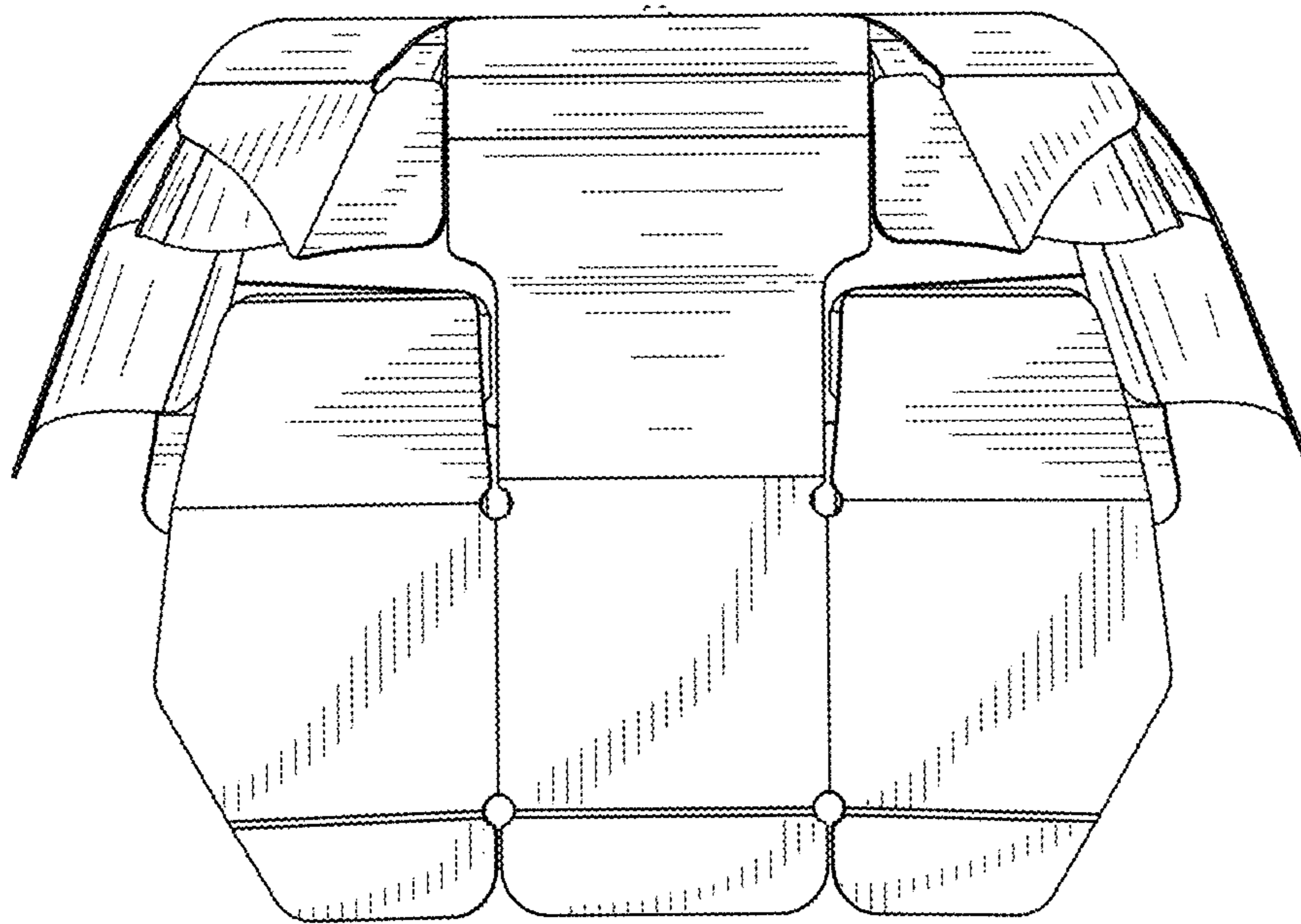


FIG. 3

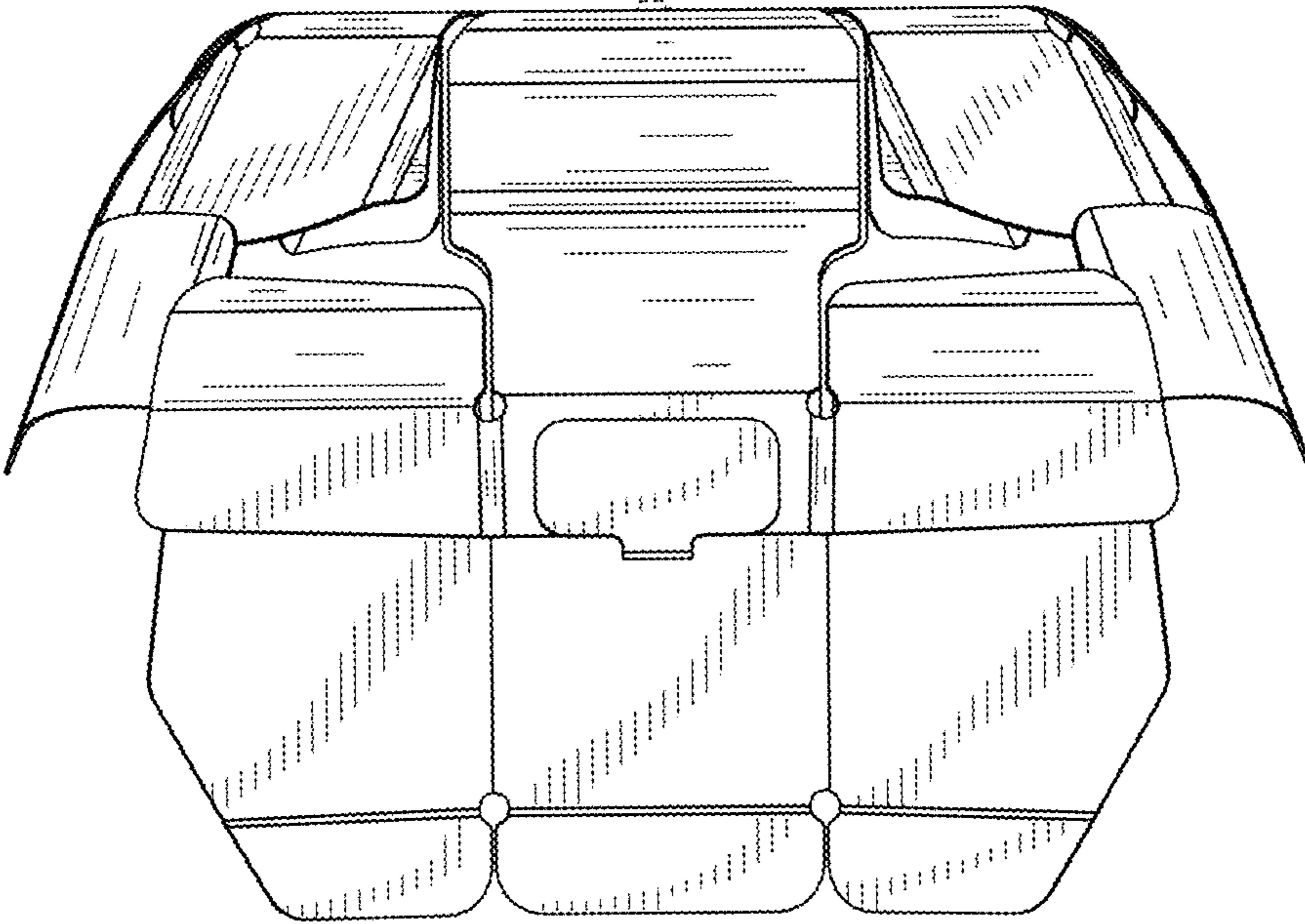


FIG. 4

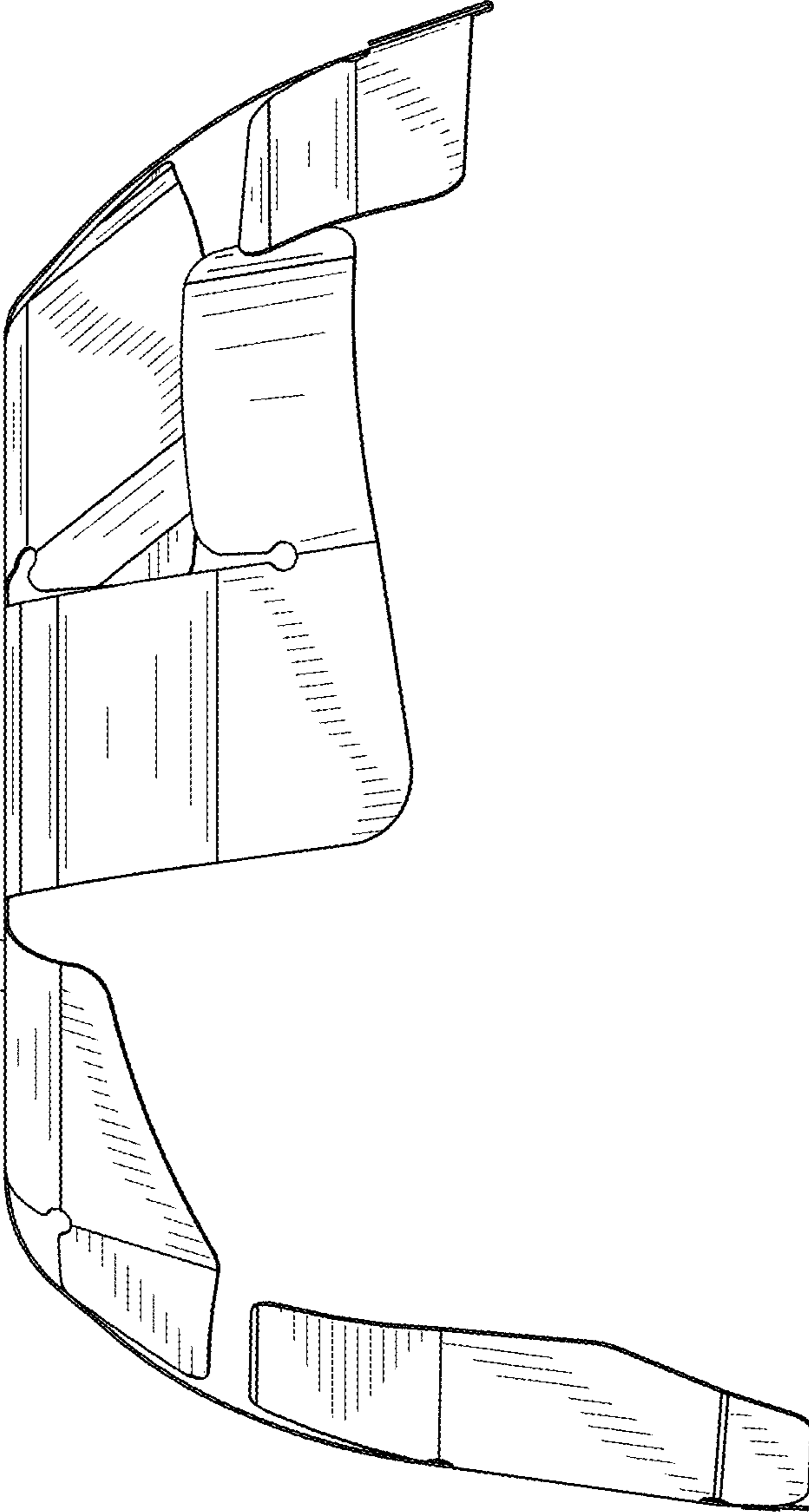


FIG. 5

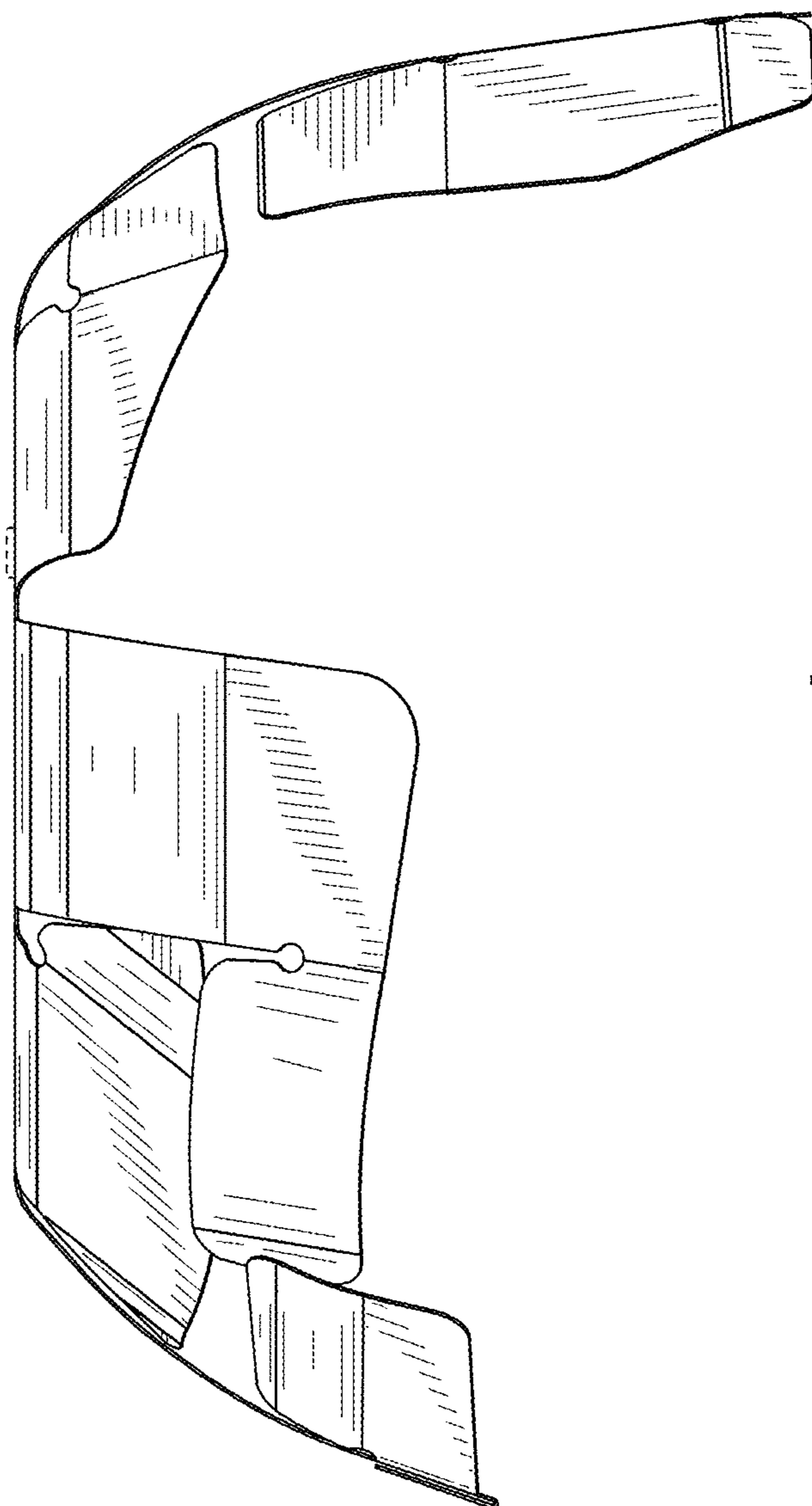


FIG. 6

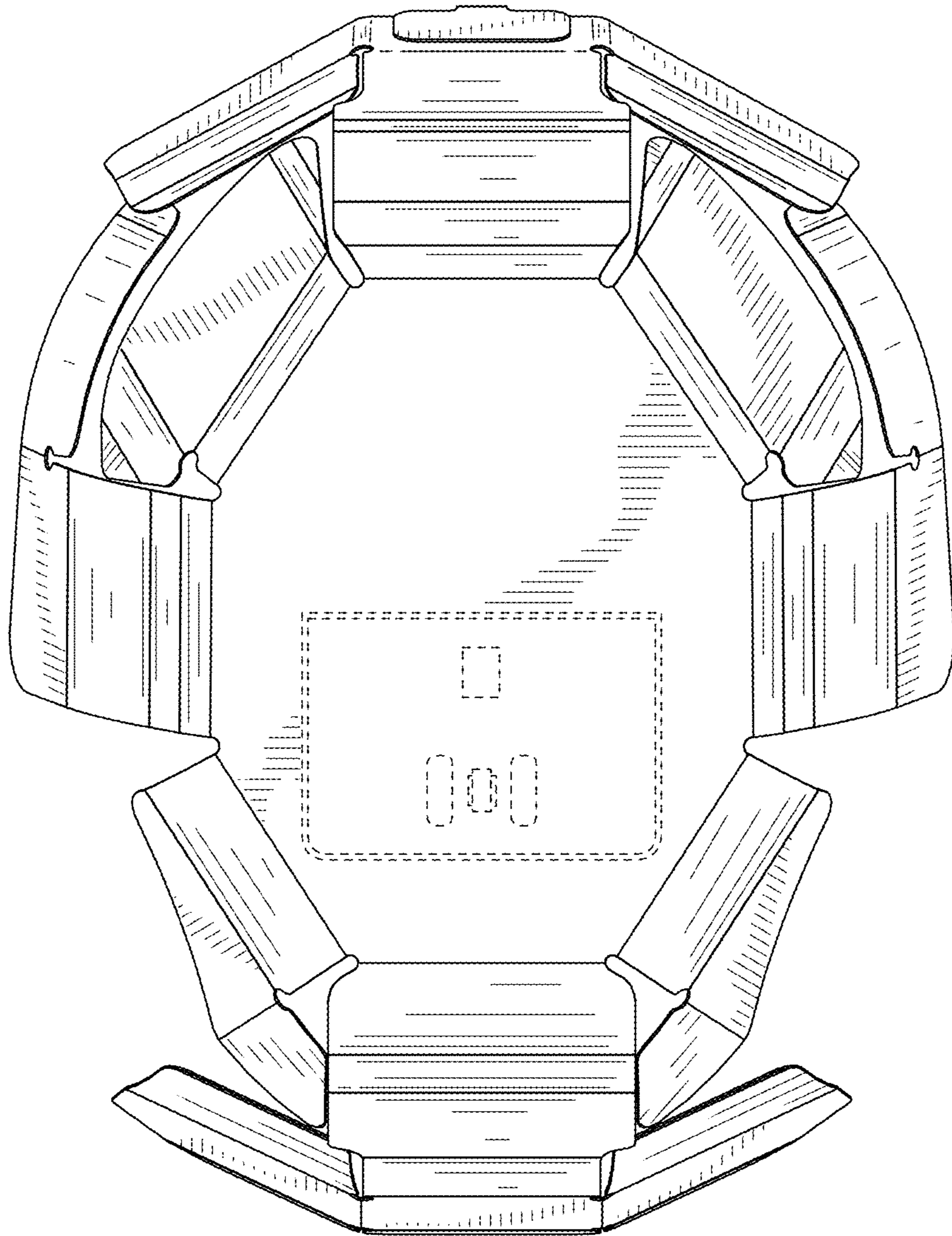


FIG. 7

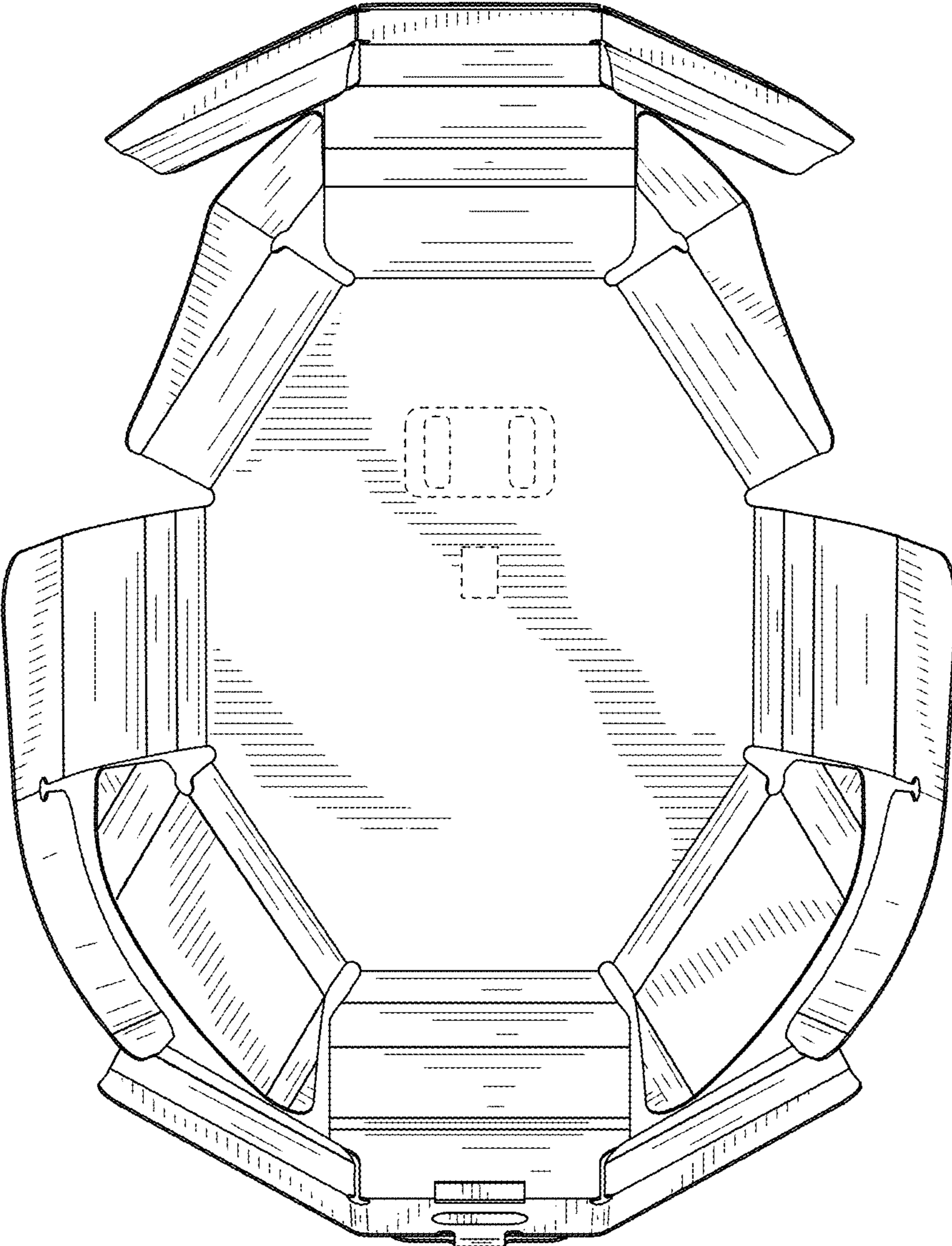


FIG. 8

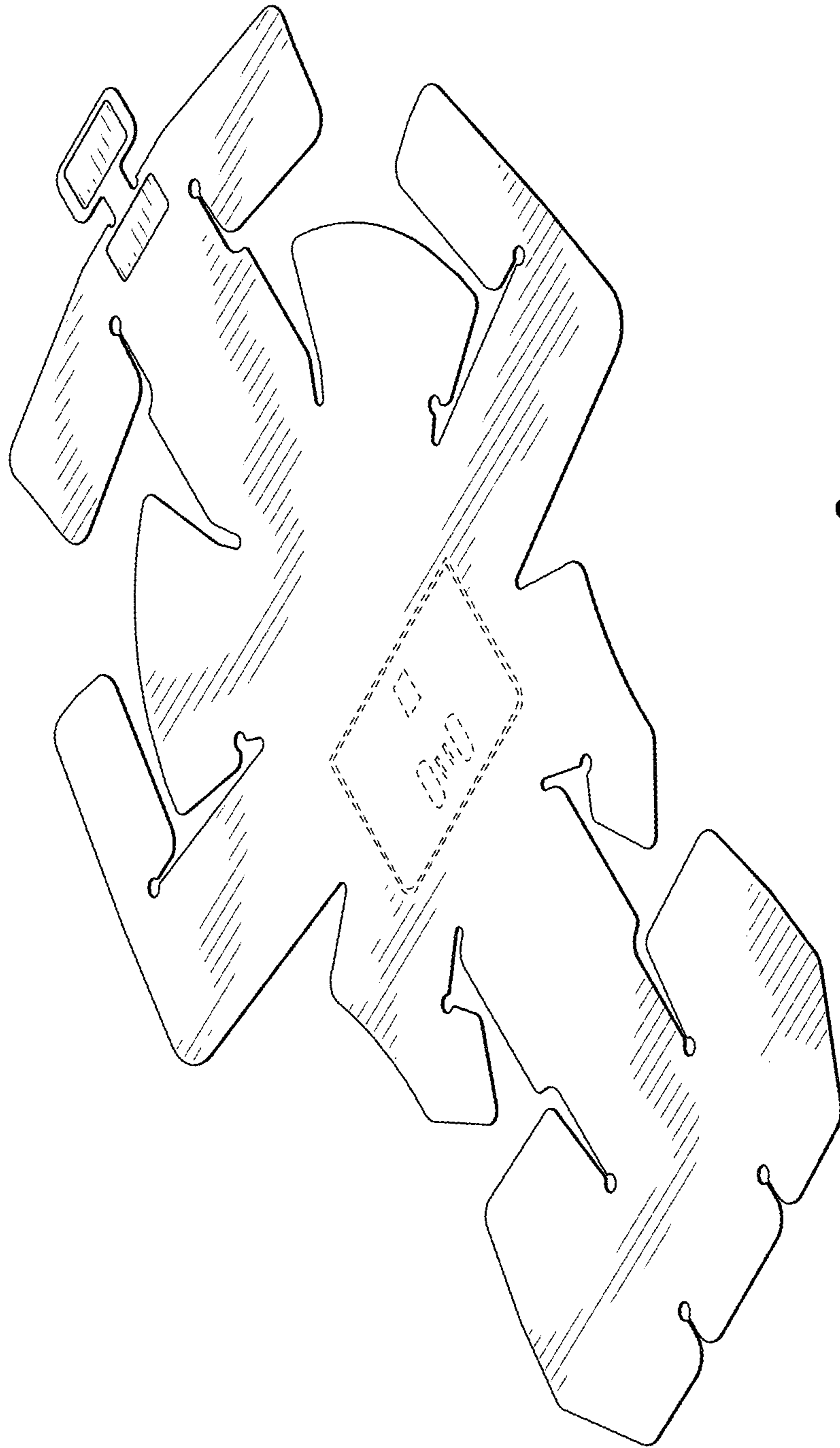


FIG. 9

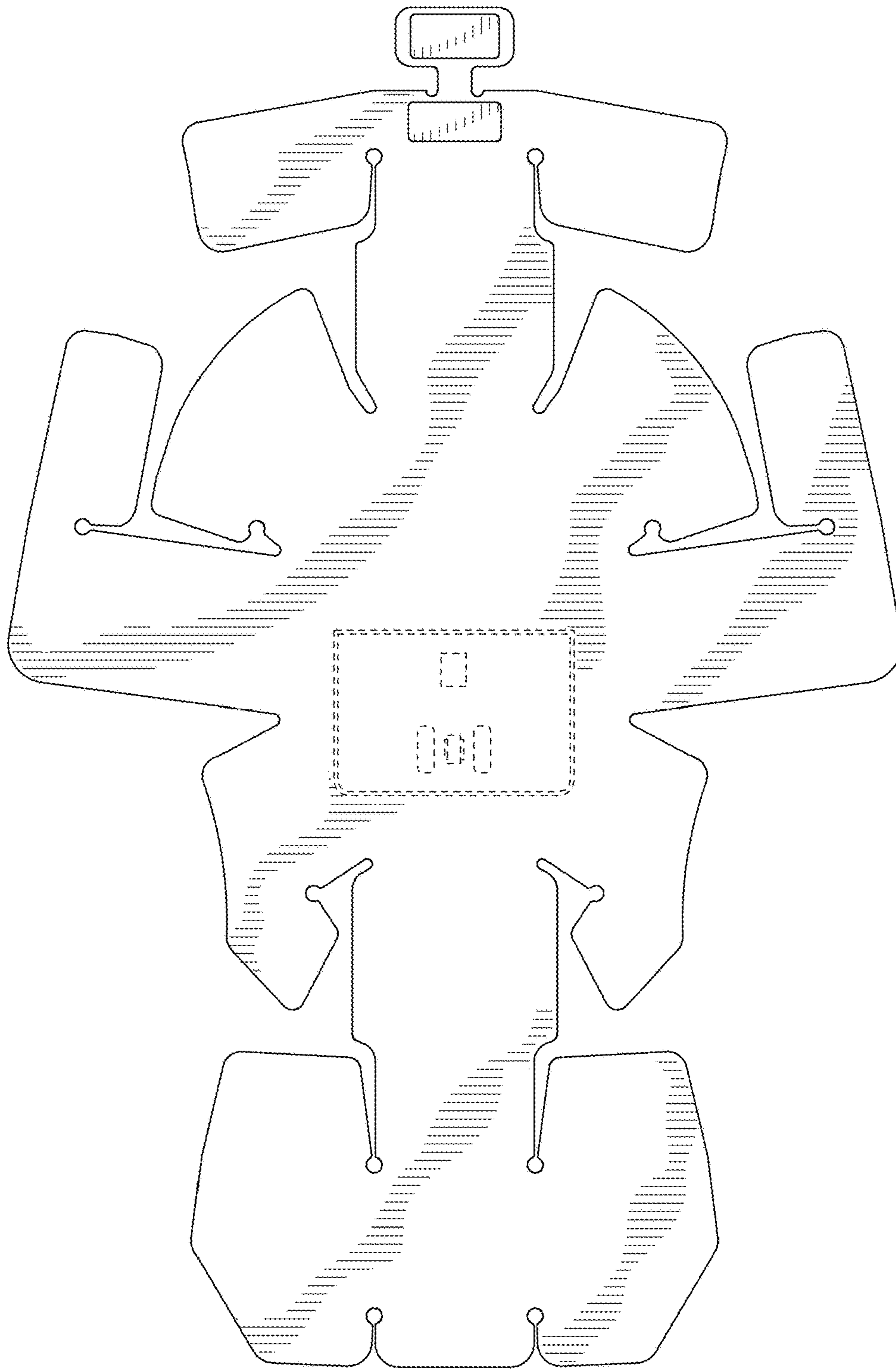


FIG. 10

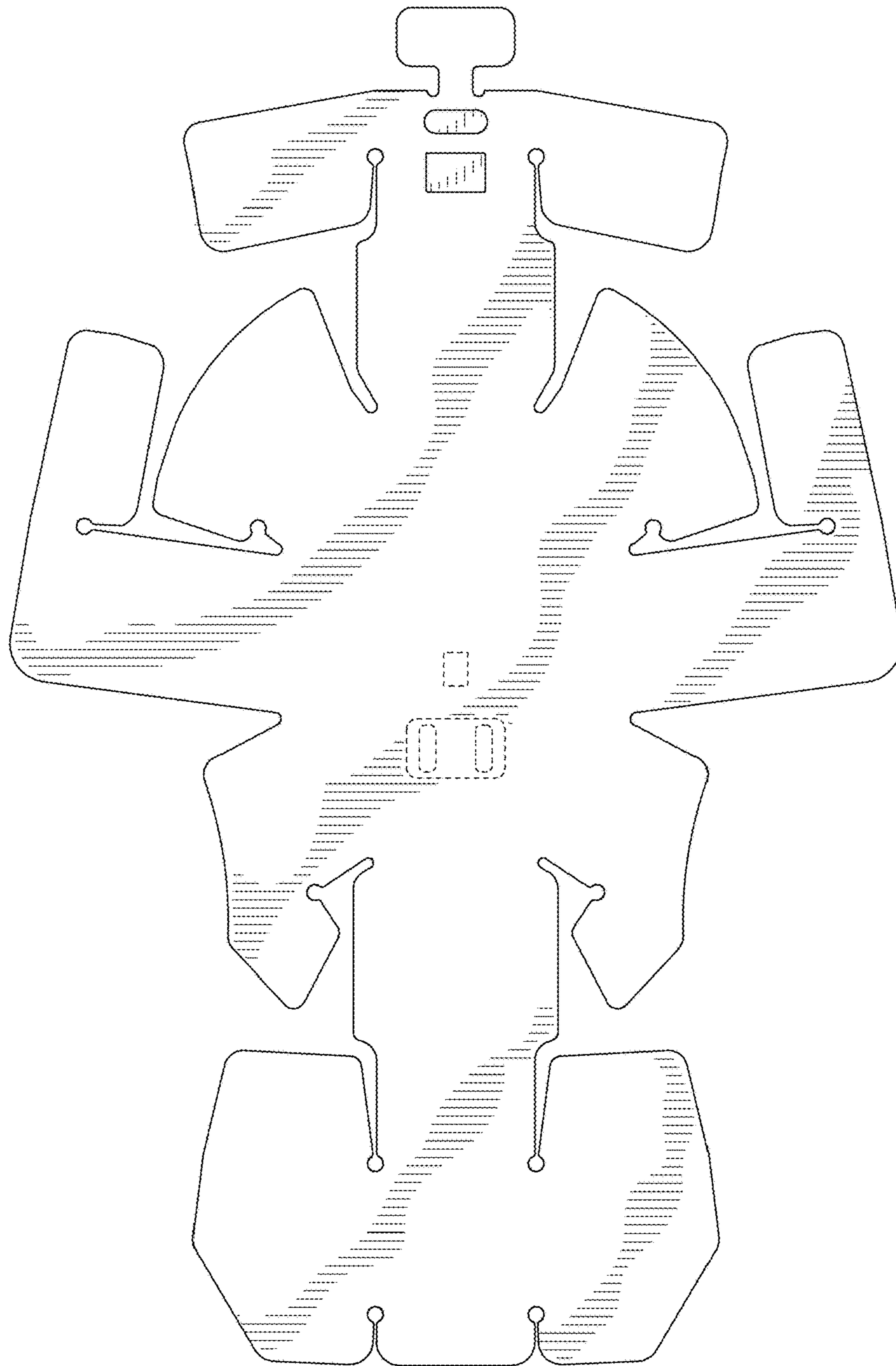


FIG. 11



FIG. 12