



US00D826415S

(12) **United States Design Patent**  
**Badita**

(10) **Patent No.:** **US D826,415 S**

(45) **Date of Patent:** **\*\* Aug. 21, 2018**

(54) **CONSTRUCTION PROFILE FOR A SPA TUB BASE**

(71) Applicant: **Nicolae Badita**, Brampton (CA)

(72) Inventor: **Nicolae Badita**, Brampton (CA)

(73) Assignee: **Hydropool Inc.**, Mississauga, Ontario

(\*\*) Term: **15 Years**

(21) Appl. No.: **29/562,902**

(22) Filed: **Apr. 29, 2016**

(51) **LOC (11) Cl.** ..... **23-02**

(52) **U.S. Cl.**

USPC ..... **D24/204**

(58) **Field of Classification Search**

USPC ..... D24/201–205, 213; D23/276–278,  
D23/280.1–280.3; D25/2, 119, 120, 125

CPC ..... A61H 33/6005; A61H 33/6021; A61H  
33/6089; A61H 33/6094; A61H 2035/004;  
A61H 35/006; A47K 3/022; A47K 3/062

See application file for complete search history.

(56) **References Cited**

**U.S. PATENT DOCUMENTS**

1,914,826 A \* 6/1933 Ford ..... A47K 3/16  
4/589  
2,427,375 A \* 9/1947 Walker ..... A47K 3/04  
4/584

D156,052 S \* 11/1949 Springwell ..... D23/280.1  
D251,071 S \* 2/1979 Brady ..... D25/119  
D380,049 S \* 6/1997 Allen ..... D24/204  
D679,421 S \* 4/2013 Nolan ..... D25/125  
D753,847 S \* 4/2016 Gori ..... D25/119

\* cited by examiner

*Primary Examiner* — Anhdao Doan

(74) *Attorney, Agent, or Firm* — Lorelei G. Graham

(57) **CLAIM**

The ornamental design for the construction profile for a spa tub base, as shown and described.

**DESCRIPTION**

FIG. 1 is a front perspective view of the construction profile for a spa tub base.

FIG. 2 is a bottom back perspective view of the construction profile for a spa tub base.

FIG. 3 is a back view of the construction profile for a spa tub base.

FIG. 4 is a right view of the construction profile for a spa tub base.

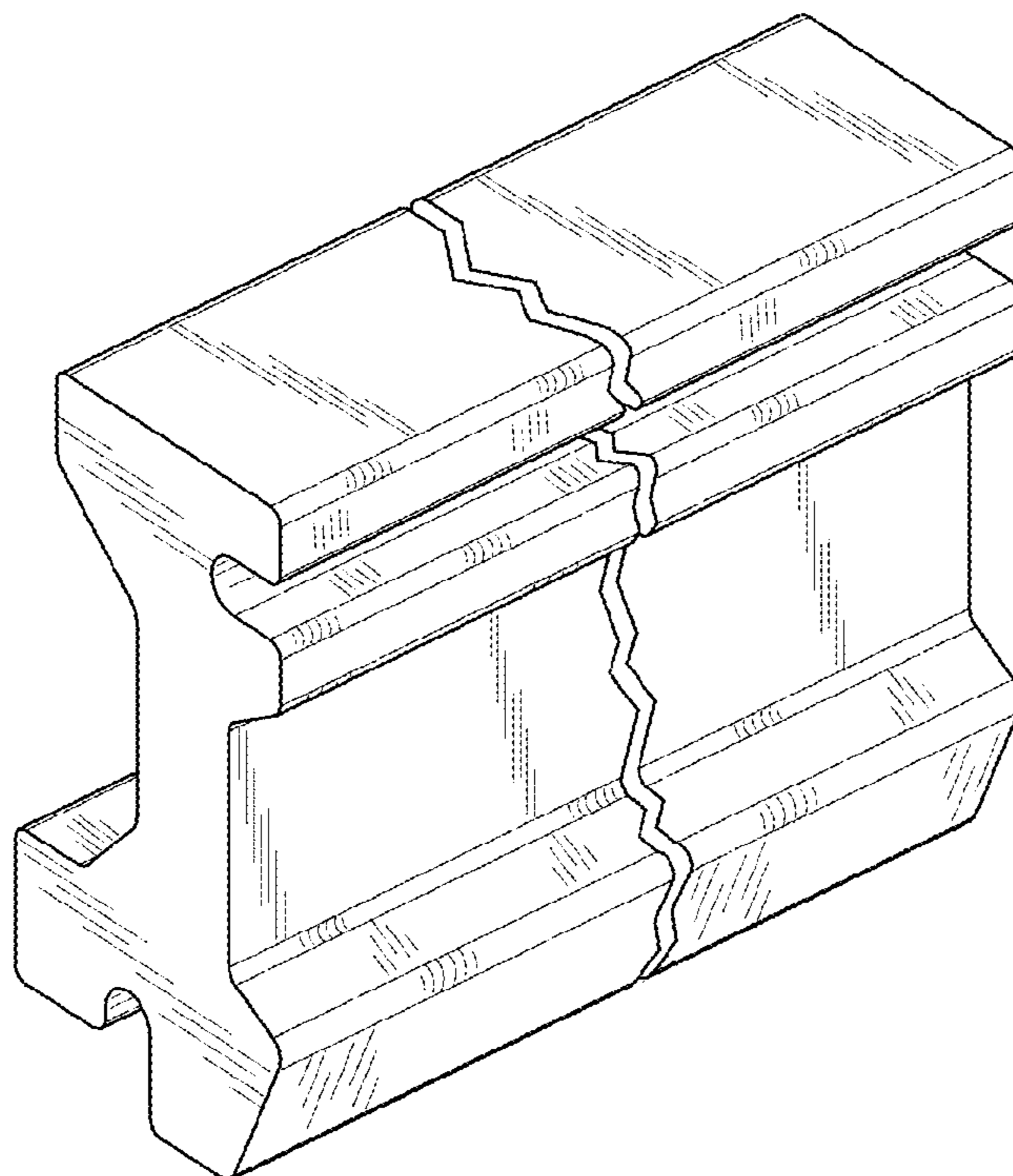
FIG. 5 is a front view of the construction profile for a spa tub base.

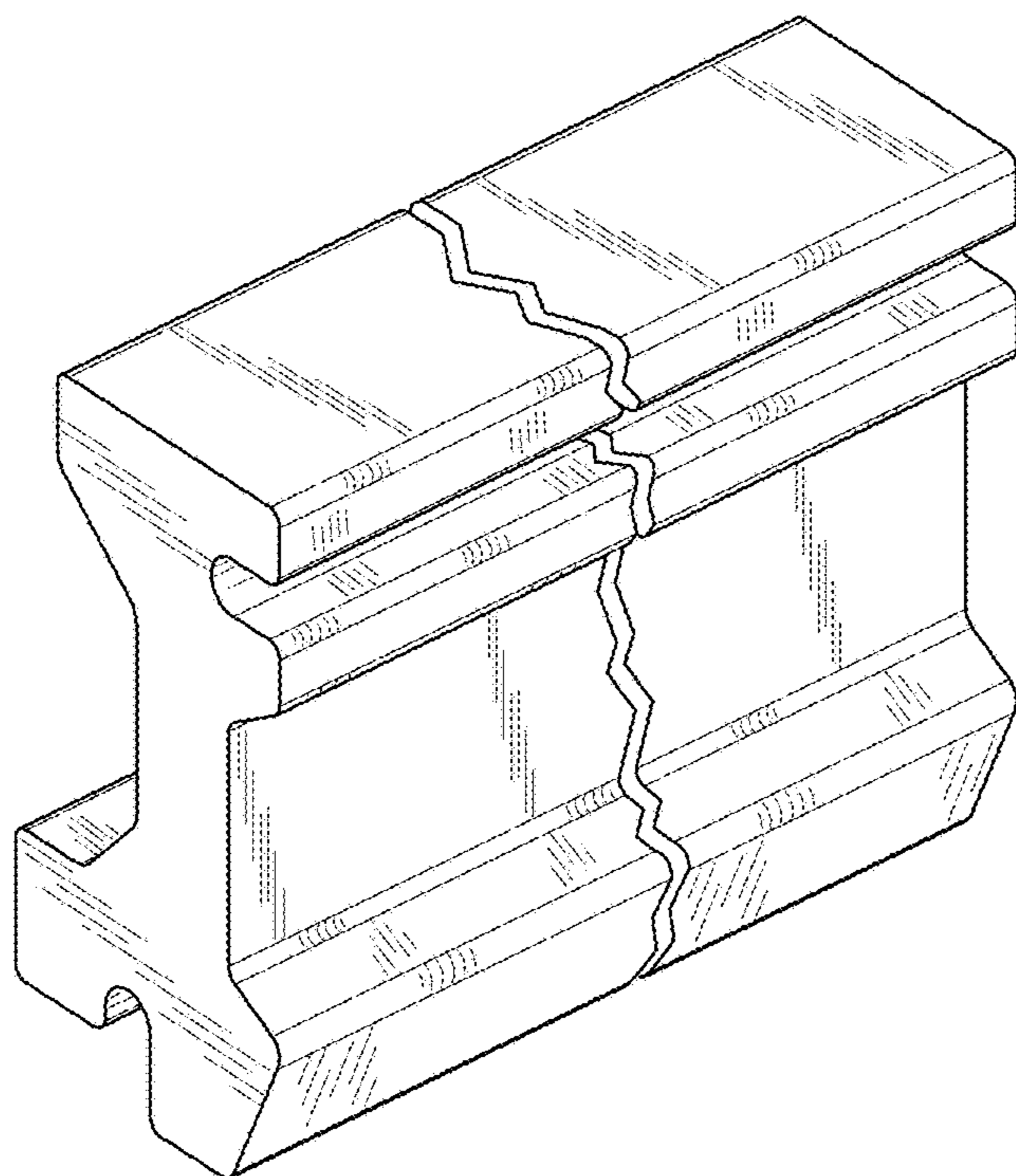
FIG. 6 is a left view of the construction profile for a spa tub base.

FIG. 7 is a top view of the construction profile for a spa tub base; and,

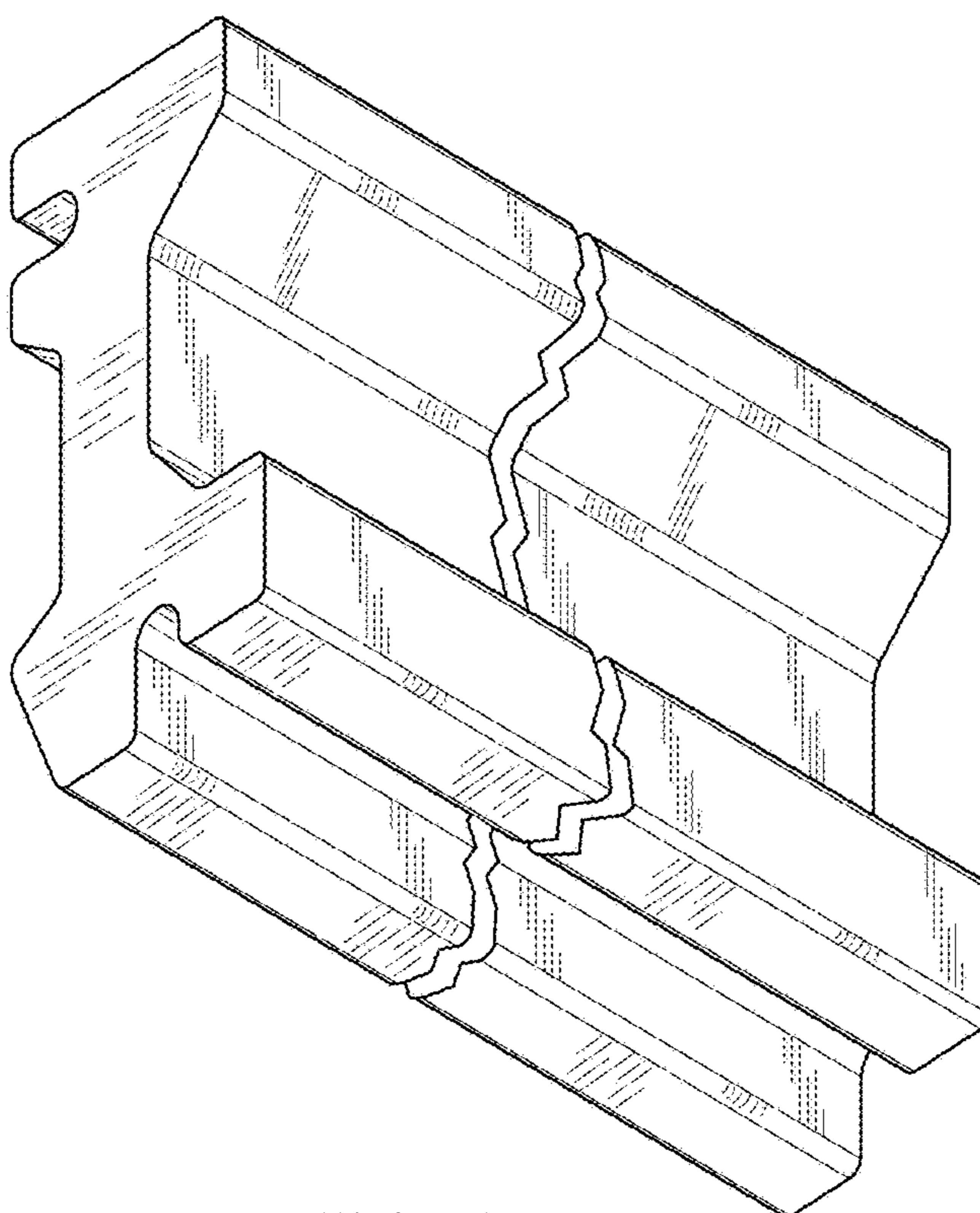
FIG. 8 is a bottom view of the construction profile for a spa tub base.

**1 Claim, 3 Drawing Sheets**

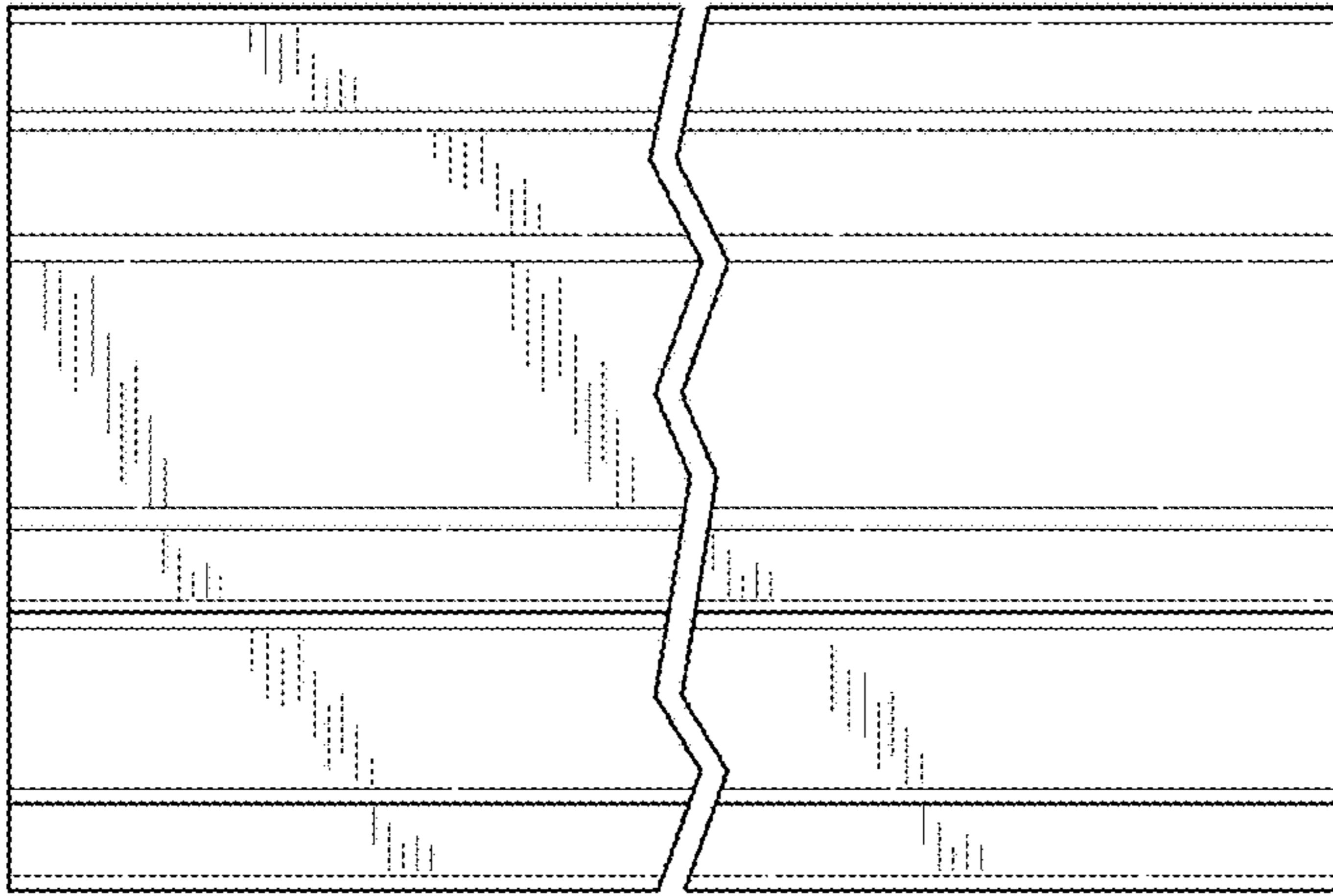




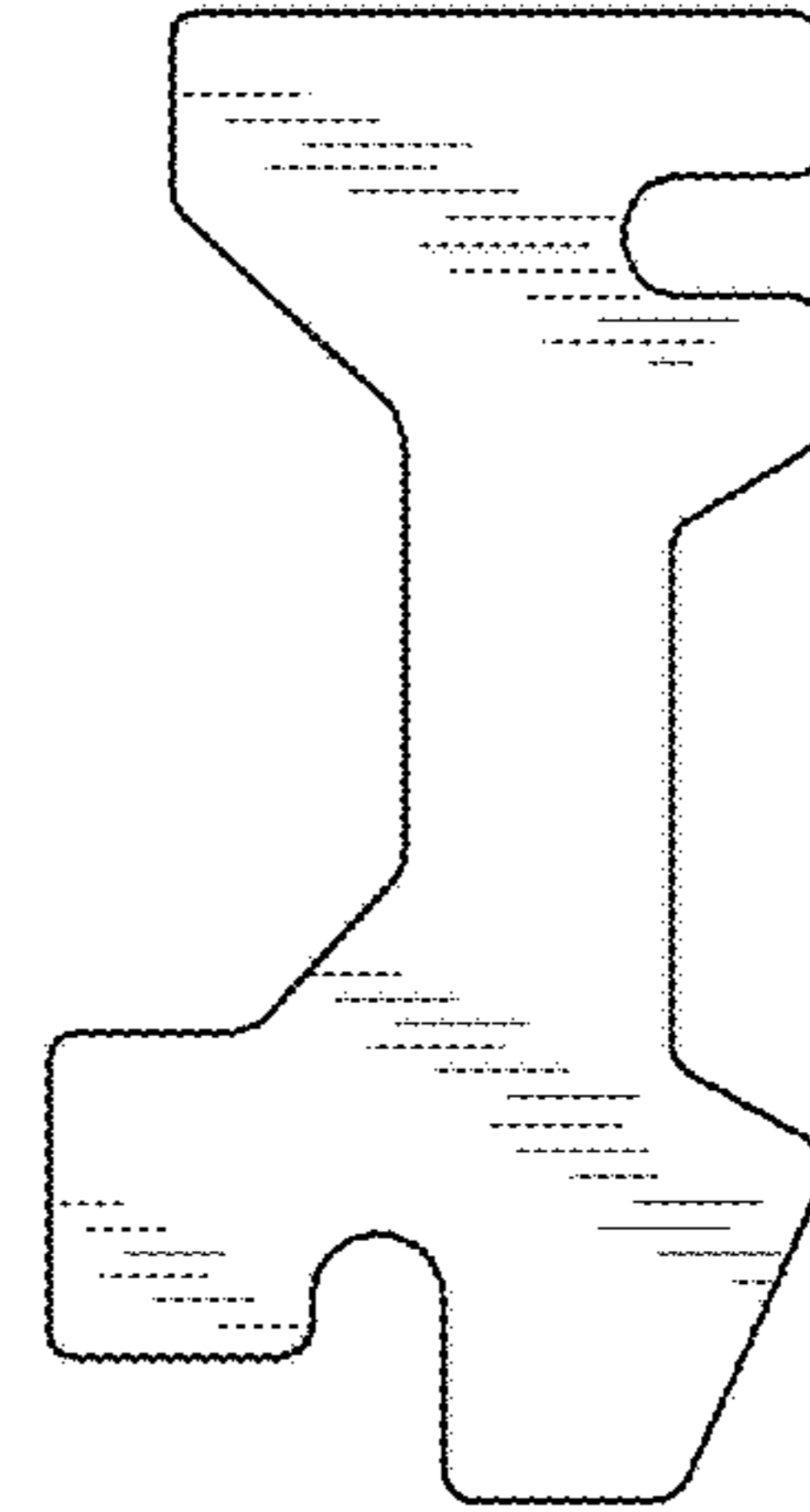
**FIG. 1**



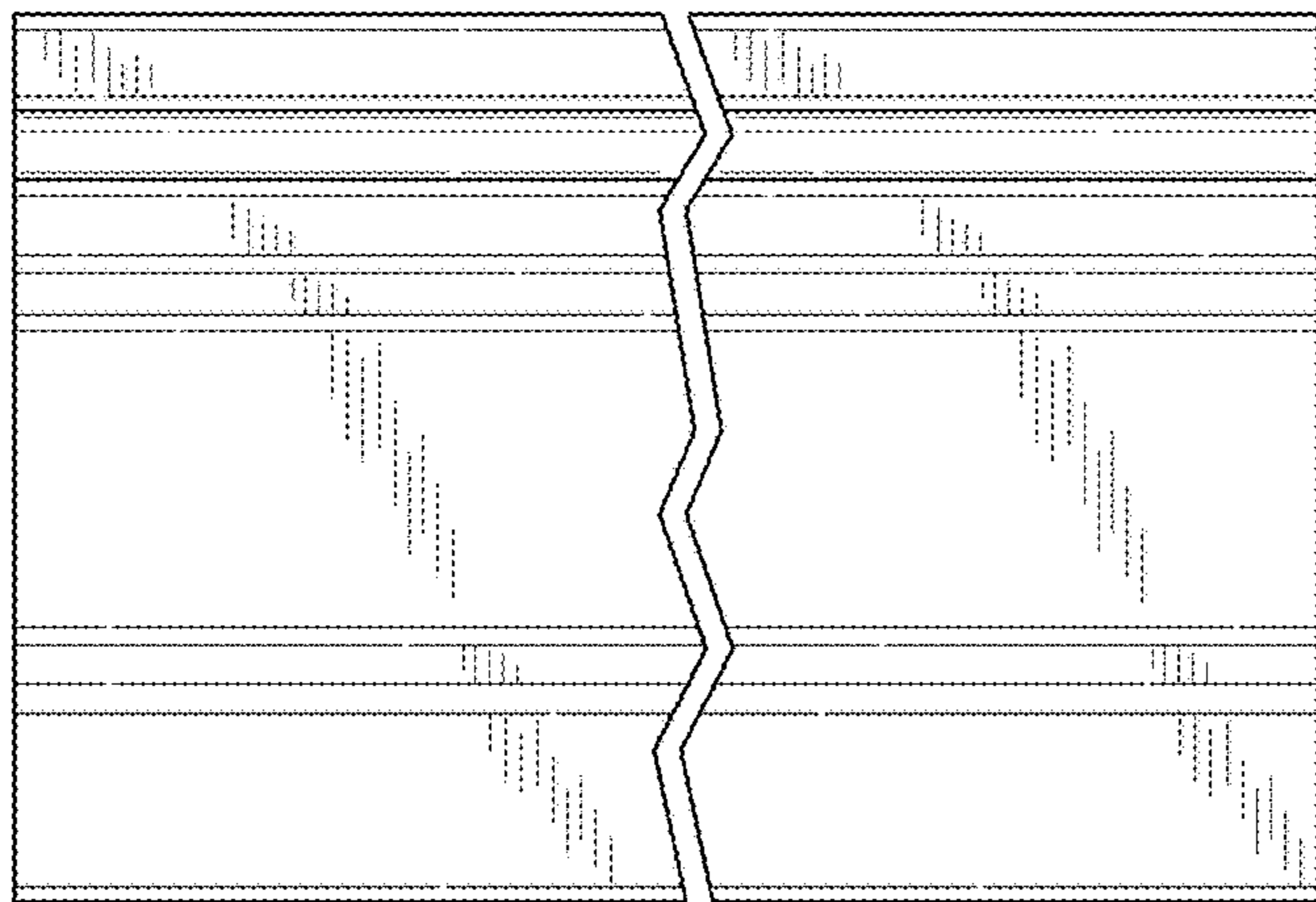
**FIG. 2**



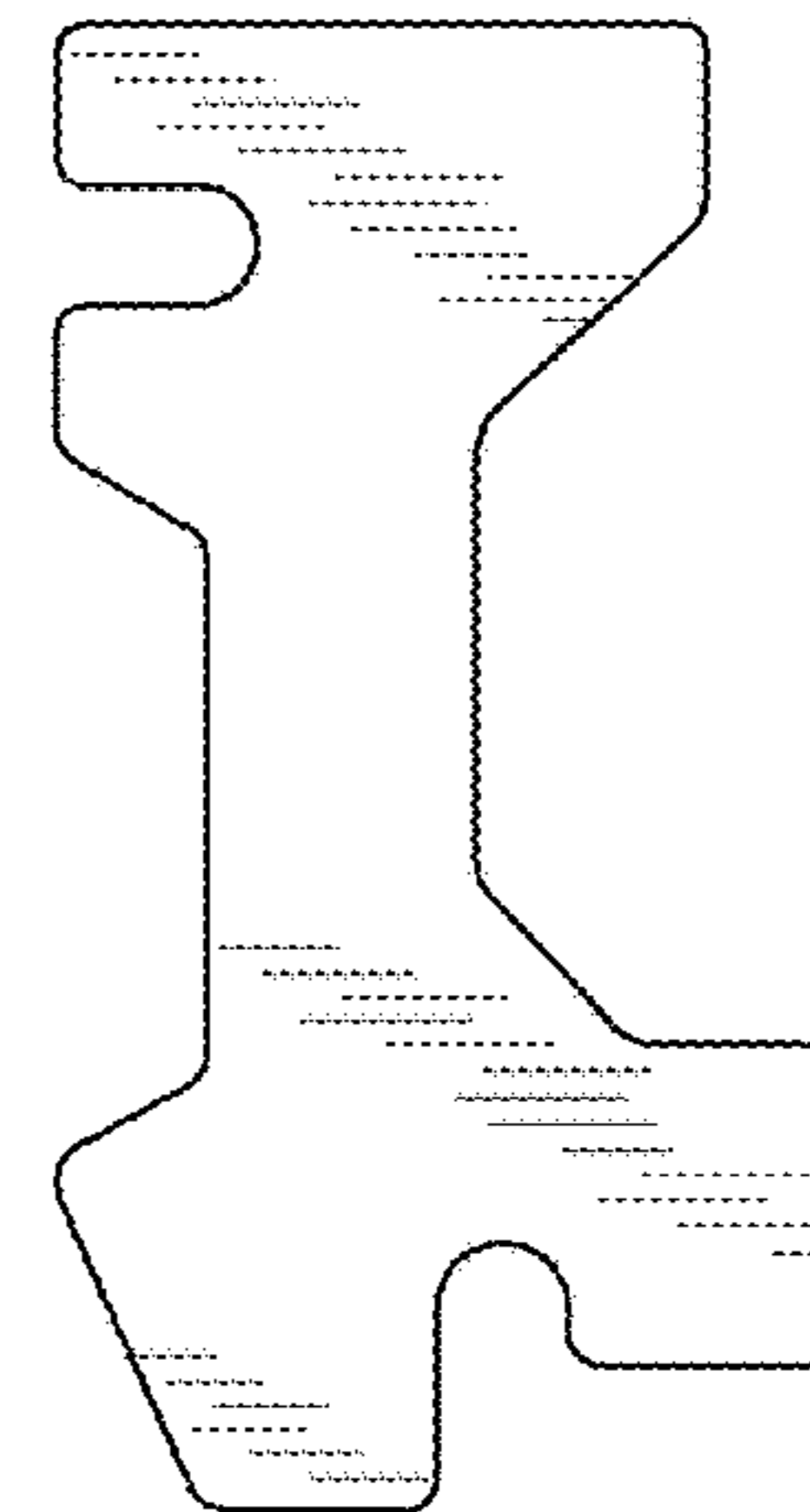
**FIG. 3**



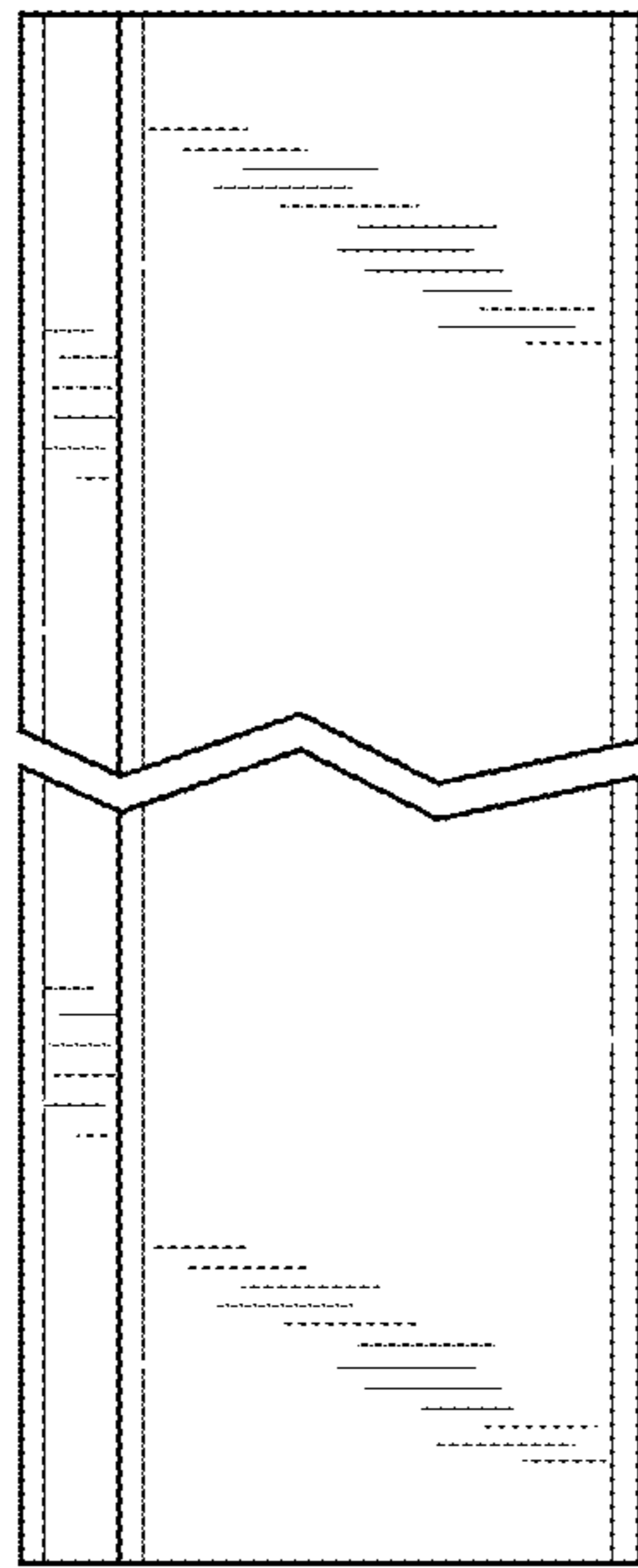
**FIG. 4**



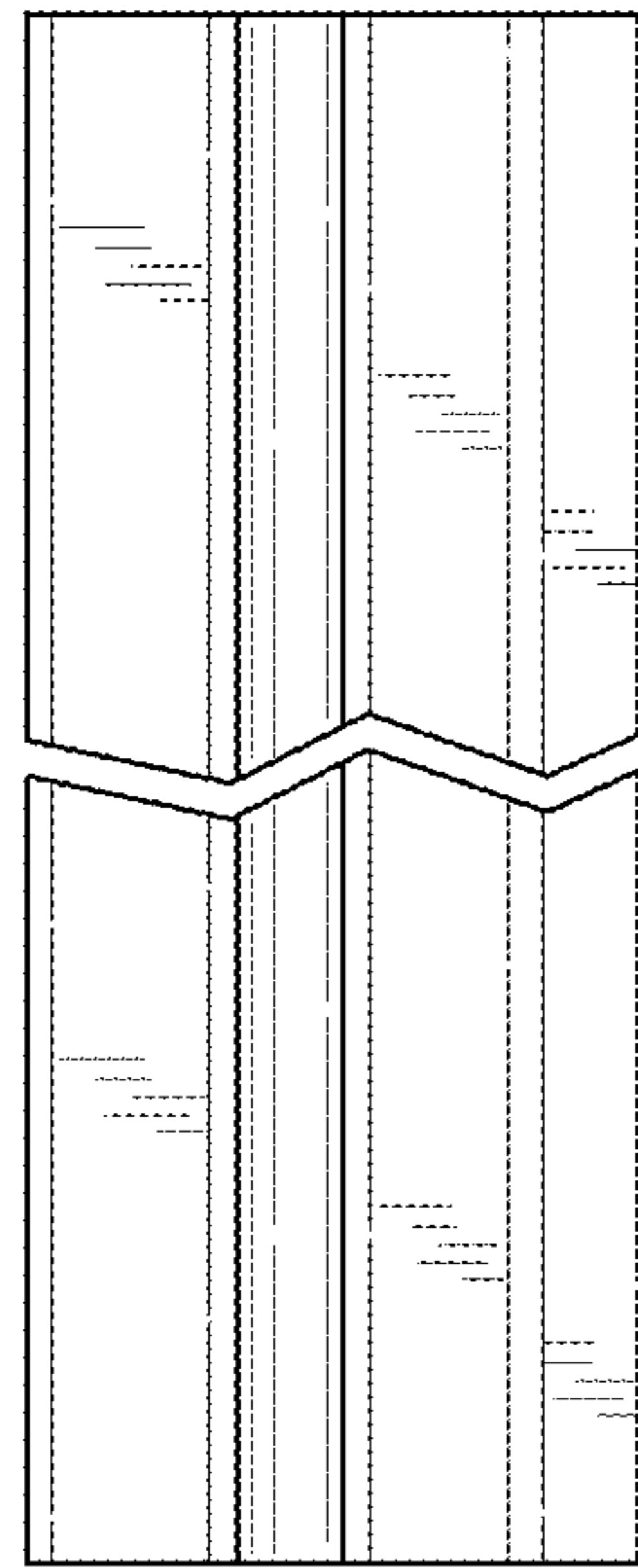
**FIG. 5**



**FIG. 6**



**FIG. 7**



**FIG. 8**