



US00D826413S

(12) **United States Design Patent** (10) **Patent No.:** **US D826,413 S**
Eaton et al. (45) **Date of Patent:** **** Aug. 21, 2018**

(54) **PACIFIERS** D380,836 S * 7/1997 Fitzpatrick D24/194
D448,486 S * 9/2001 Horntrich D24/194
(71) Applicant: **KONINKLIJKE PHILIPS N.V.**, D599,026 S * 8/2009 Cudworth D24/194
Eindhoven (NL) D655,015 S * 2/2012 Castro Barreras D24/194
D662,600 S * 6/2012 Rhodes, II D24/194
(72) Inventors: **Jason Eaton**, Beaver, PA (US); **Ron** D679,022 S * 3/2013 Feinberg D24/194
Roth, Pittsburgh, PA (US) D691,277 S * 10/2013 McCarty D24/194
D700,344 S * 2/2014 Jackson-Berry D24/194
D719,268 S * 12/2014 Recht D24/194
(73) Assignee: **KONINKLIJKE PHILIPS N.V.**, D737,455 S * 8/2015 D'Alesio D24/194
Eindhoven (NL) D740,430 S * 10/2015 Oates, II D24/194
D748,811 S * 2/2016 Lee D24/194
D755,400 S * 5/2016 Melvin D24/194
D767,152 S * 9/2016 Hakim D24/194
(**) Term: **15 Years** 2012/0265244 A1 * 10/2012 Valderrama A61L 2/07
606/234
(21) Appl. No.: **35/500,576** 2014/0221917 A1 * 8/2014 Oates, II A61J 17/00
604/79
(22) Filed: **Aug. 11, 2015**

(80) **Hague Agreement Data**
Int. Filing Date: **Aug. 11, 2015**
Int. Reg. No.: **DM/087254**
Int. Reg. Date: **Aug. 11, 2015**
Int. Reg. Pub. Date: **Feb. 12, 2016**

(30) **Foreign Application Priority Data**
Feb. 11, 2015 (EM) 002630772-0001
Feb. 11, 2015 (EM) 002630772-0002

(51) **LOC (11) Cl.** **24-04**
(52) **U.S. Cl.**
USPC **D24/194**

(58) **Field of Classification Search**
USPC D24/155, 190, 192, 194; D21/468;
606/234; 604/79
CPC A61L 2/07; A61J 17/00
See application file for complete search history.

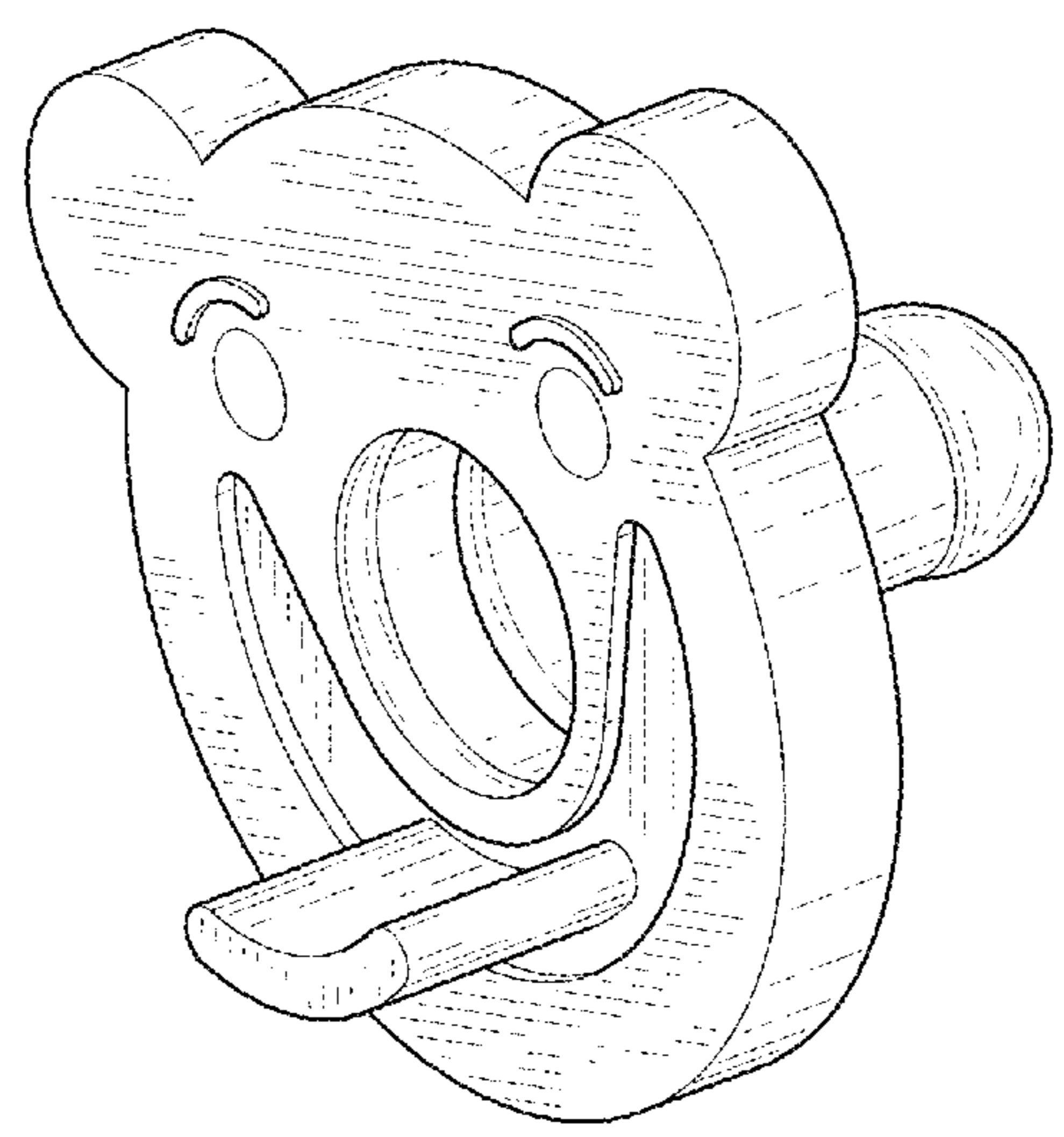
(56) **References Cited**
U.S. PATENT DOCUMENTS
D306,073 S * 2/1990 Klitsner D21/468
D359,123 S * 6/1995 Perrine D24/194

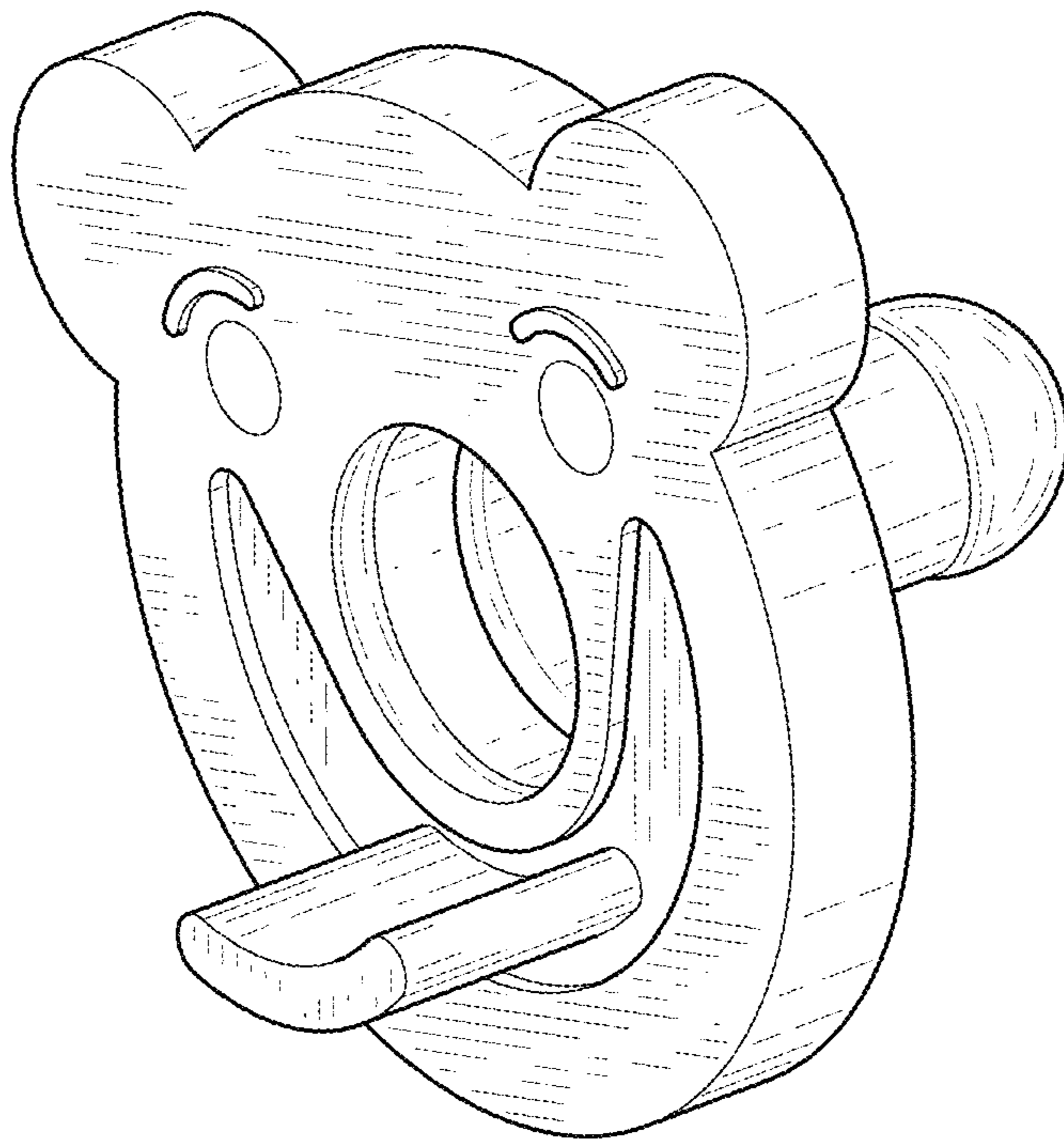
* cited by examiner
Primary Examiner — Rhea Shields

(57) **CLAIM**
The ornamental design for a pacifier, as shown and described.

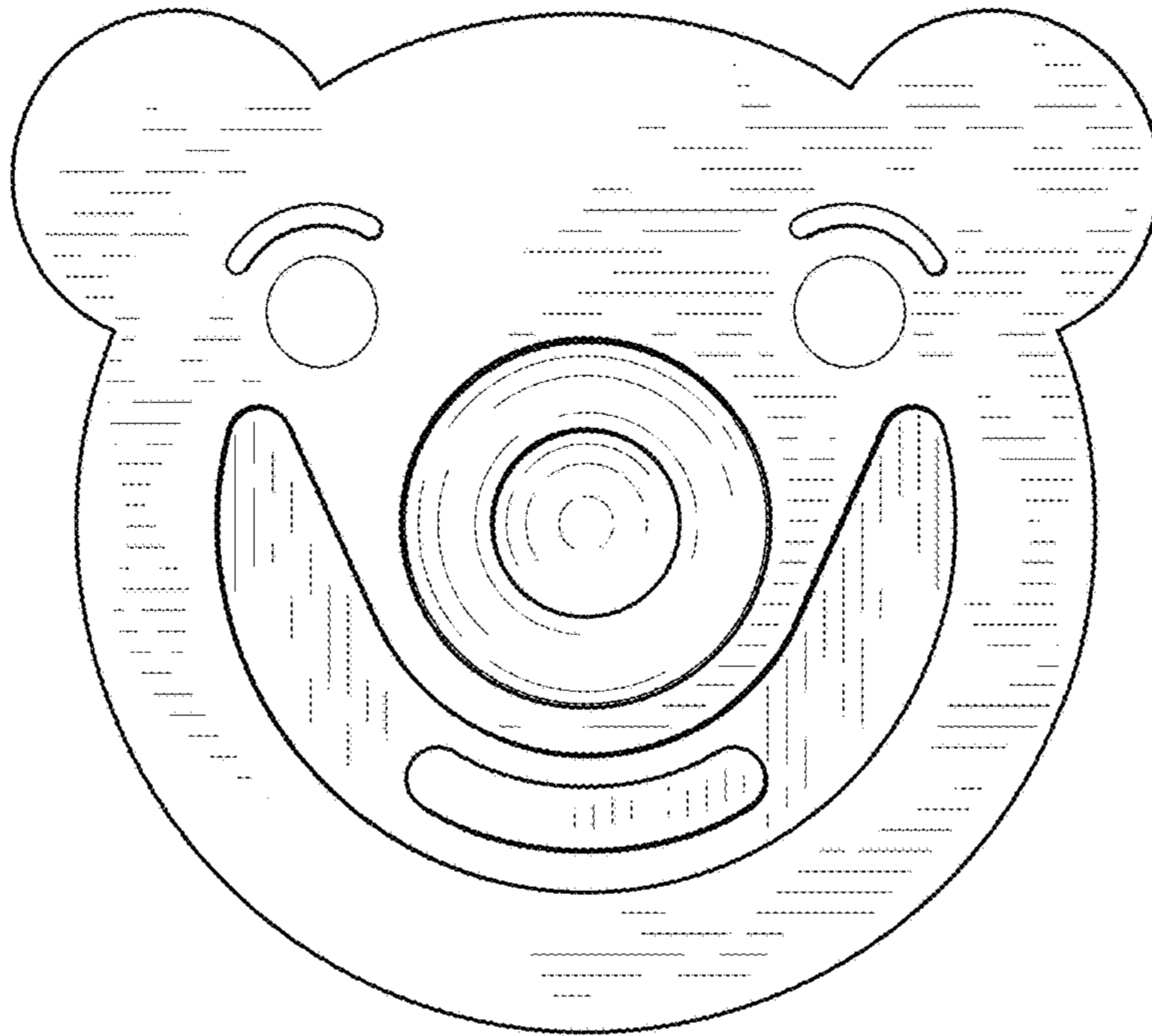
DESCRIPTION
1. Pacifier
1.1 is a perspective view showing the pacifier of mv design;
1.2 is a front elevational view thereof;
1.3 is a rear elevational view thereof;
1.4 is a left side elevational view thereof;
1.5 is a right side elevational view thereof;
1.6 is a top plan view thereof; and
1.7 is a bottom plan view thereof.
The broken lines shown in the reproductions depict portions of the pacifier that form no part of the claimed design.

1 Claim, 4 Drawing Sheets

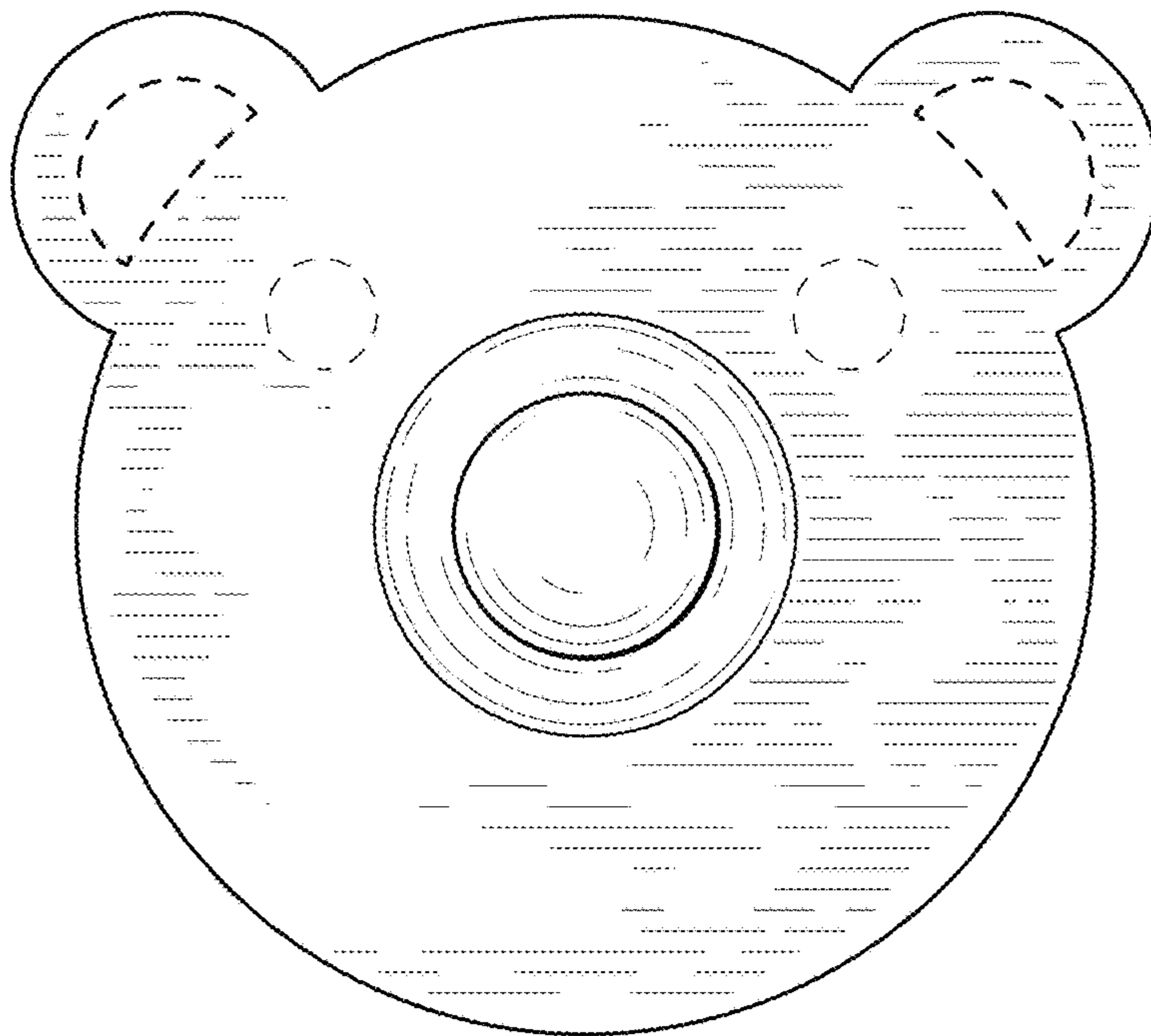




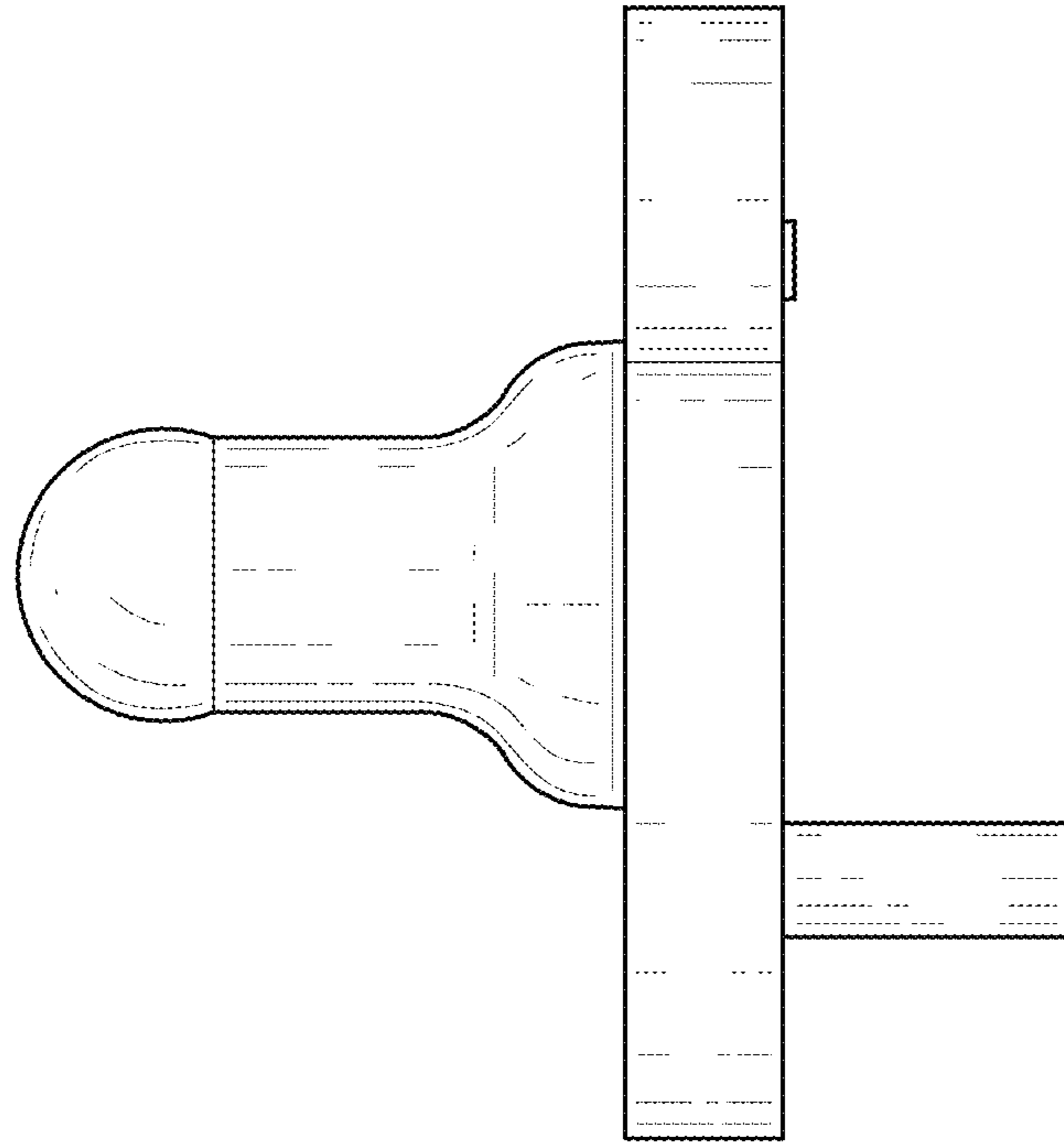
1.1



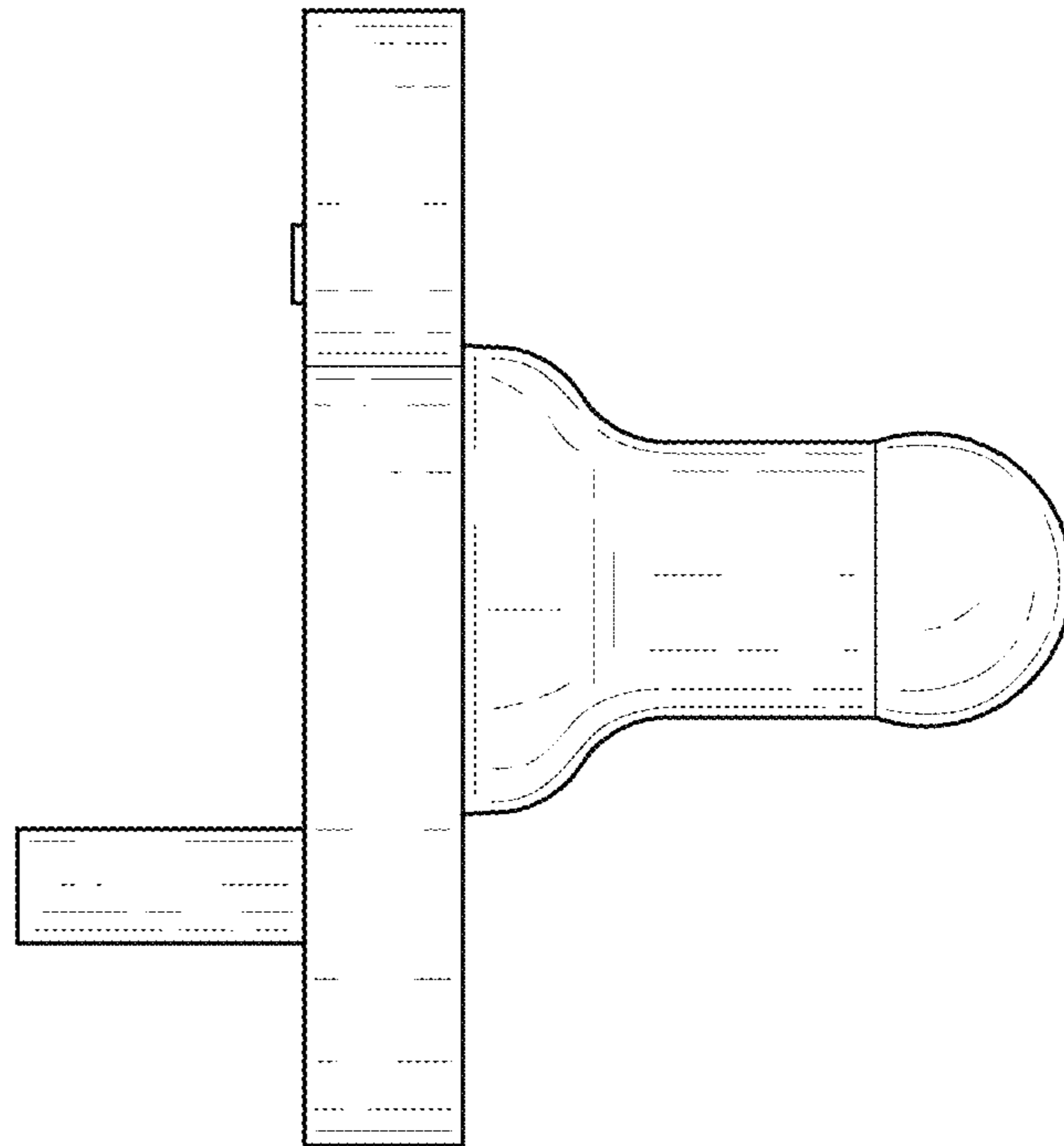
1.2



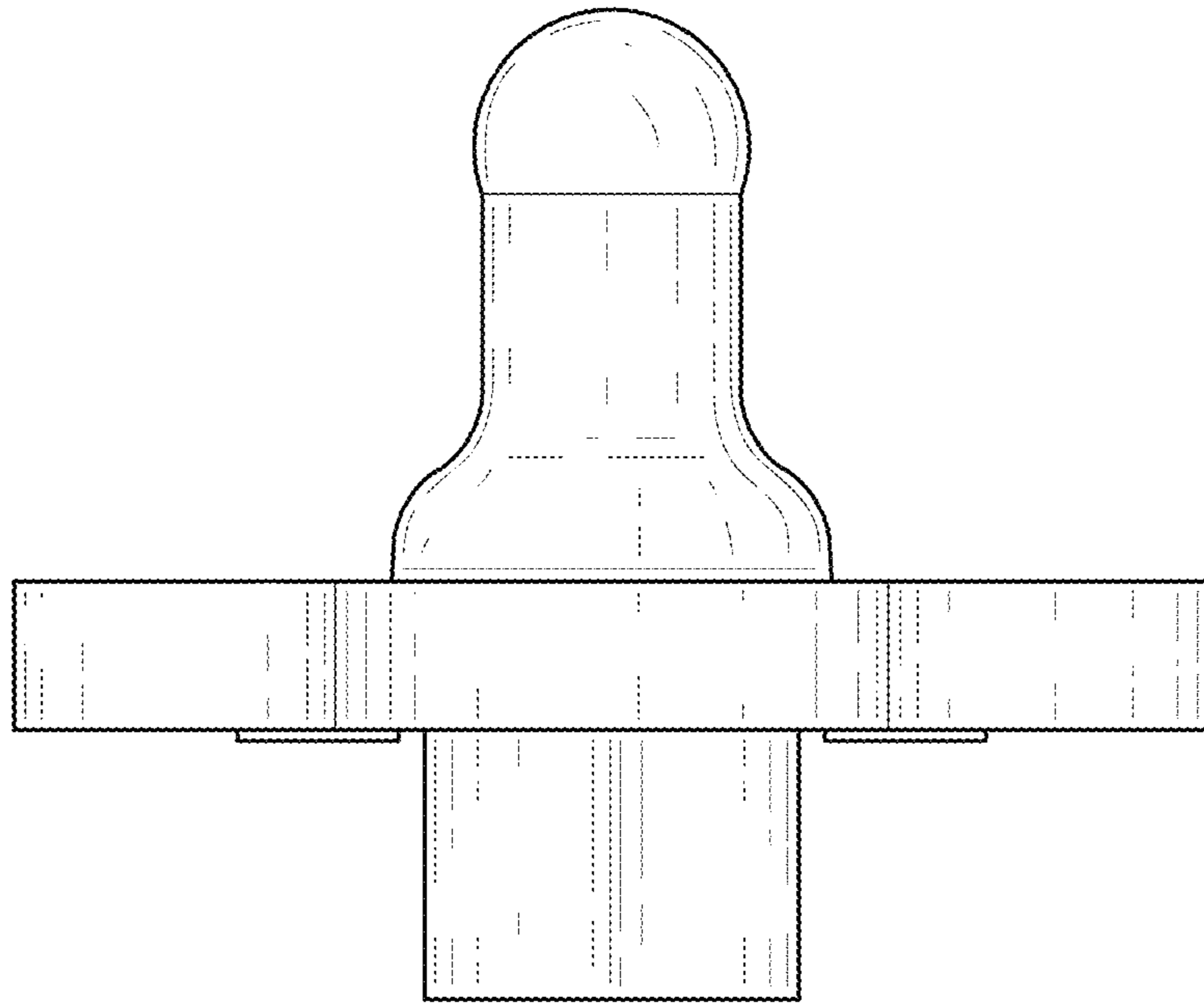
1.3



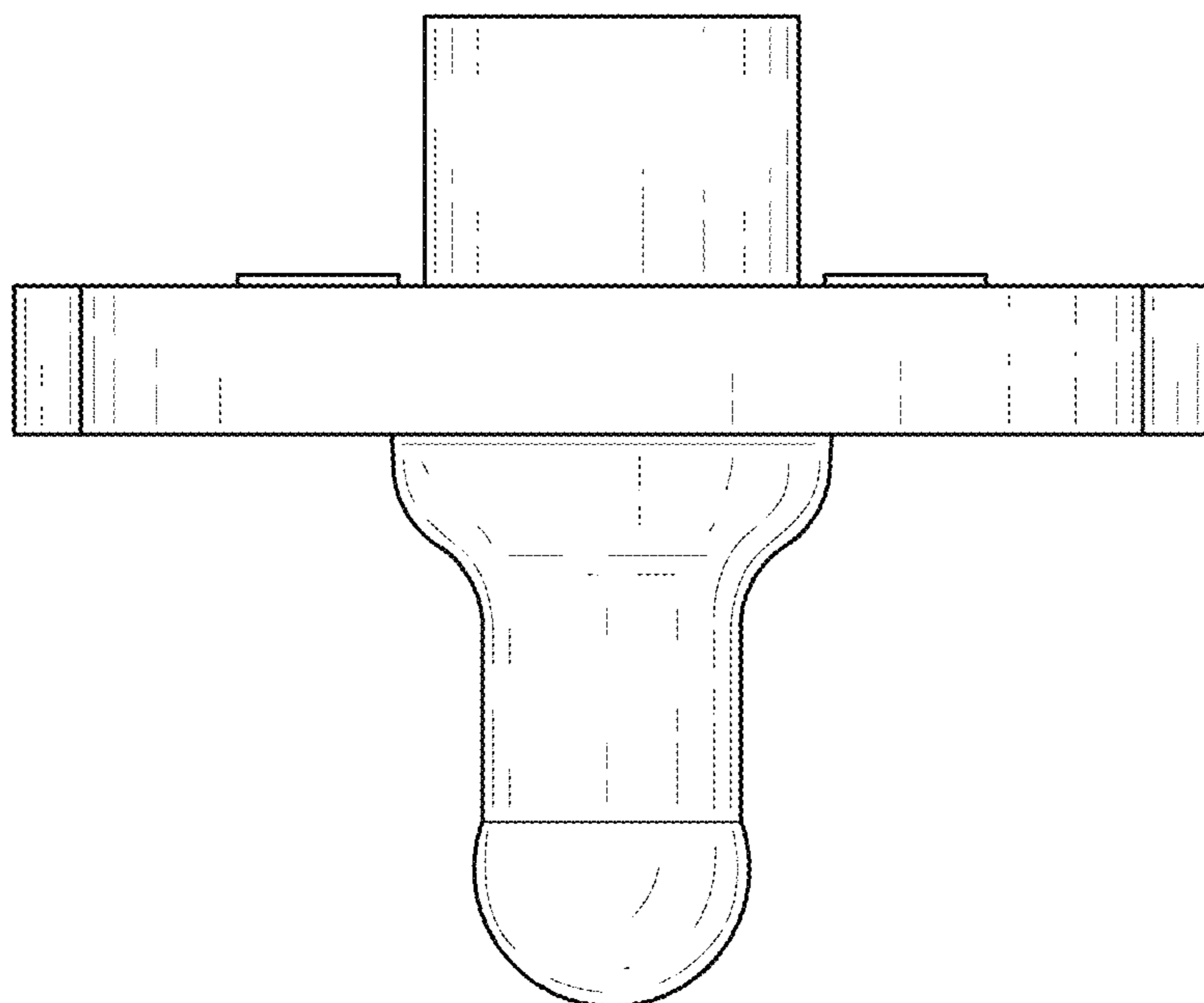
1.4



1.5



1.6



1.7