



US00D826408S

(12) **United States Design Patent** (10) **Patent No.:** **US D826,408 S**  
**Harder** (45) **Date of Patent:** **\*\* Aug. 21, 2018**

(54) **WINDLASS**  
(71) Applicant: **H&H Medical Corporation,**  
Williamsburg, VA (US)  
(72) Inventor: **Robert H. B. Harder,** Williamsburg,  
VA (US)  
(73) Assignee: **H&H Medical Corporation,**  
Williamsburg, VA (US)  
(\*\*) Term: **15 Years**  
(21) Appl. No.: **29/591,397**  
(22) Filed: **Jan. 19, 2017**  
(51) **LOC (11) Cl.** ..... **24-01**  
(52) **U.S. Cl.**  
USPC ..... **D24/169; D24/143**  
(58) **Field of Classification Search**  
USPC ..... D24/143, 165, 167, 169, 186; D8/382,  
D8/383, 356, 349, 44  
CPC ..... A61B 17/1327; A61B 17/1322; A61B  
17/1325; B63B 35/7933; B63B 2035/794;  
A61F 2013/00106; A61F 2013/00119;  
A61F 2013/0028; A61F 2013/00468;  
A61F 2013/00565  
See application file for complete search history.

6,593,508 B1 \* 7/2003 Harder ..... A61F 13/00  
602/53  
D649,642 S \* 11/2011 Johnson ..... A61B 17/1322  
D24/143  
D698,930 S \* 2/2014 Sun ..... D24/107  
D705,429 S \* 5/2014 Cheney ..... D24/169  
D733,305 S \* 6/2015 Miyashita ..... D24/169  
D739,027 S \* 9/2015 Johnson ..... D24/169  
D739,221 S \* 9/2015 Sendra-Gonzalez .. F16M 13/02  
D8/349  
D754,973 S \* 5/2016 Danze ..... D3/318  
9,730,703 B2 \* 8/2017 Rose ..... A61B 17/1322  
2004/0243044 A1 \* 12/2004 Penegor ..... A61B 17/0057  
602/48  
2007/0185428 A1 \* 8/2007 Harder ..... A61B 17/1322  
602/75  
2010/0057120 A1 \* 3/2010 Kirkham ..... A61B 17/1322  
606/203  
2011/0126382 A1 \* 6/2011 Kirkham ..... A61B 17/1322  
24/16 R  
2016/0345981 A1 \* 12/2016 Demas ..... A61B 17/1322  
2016/0367262 A1 \* 12/2016 Burke ..... A61B 17/1322

\* cited by examiner

*Primary Examiner* — Anhdao Doan  
(74) *Attorney, Agent, or Firm* — Nixon & Vanderhye P.C.

(57) **CLAIM**

The ornamental design for a windlass, as shown and described.

**DESCRIPTION**

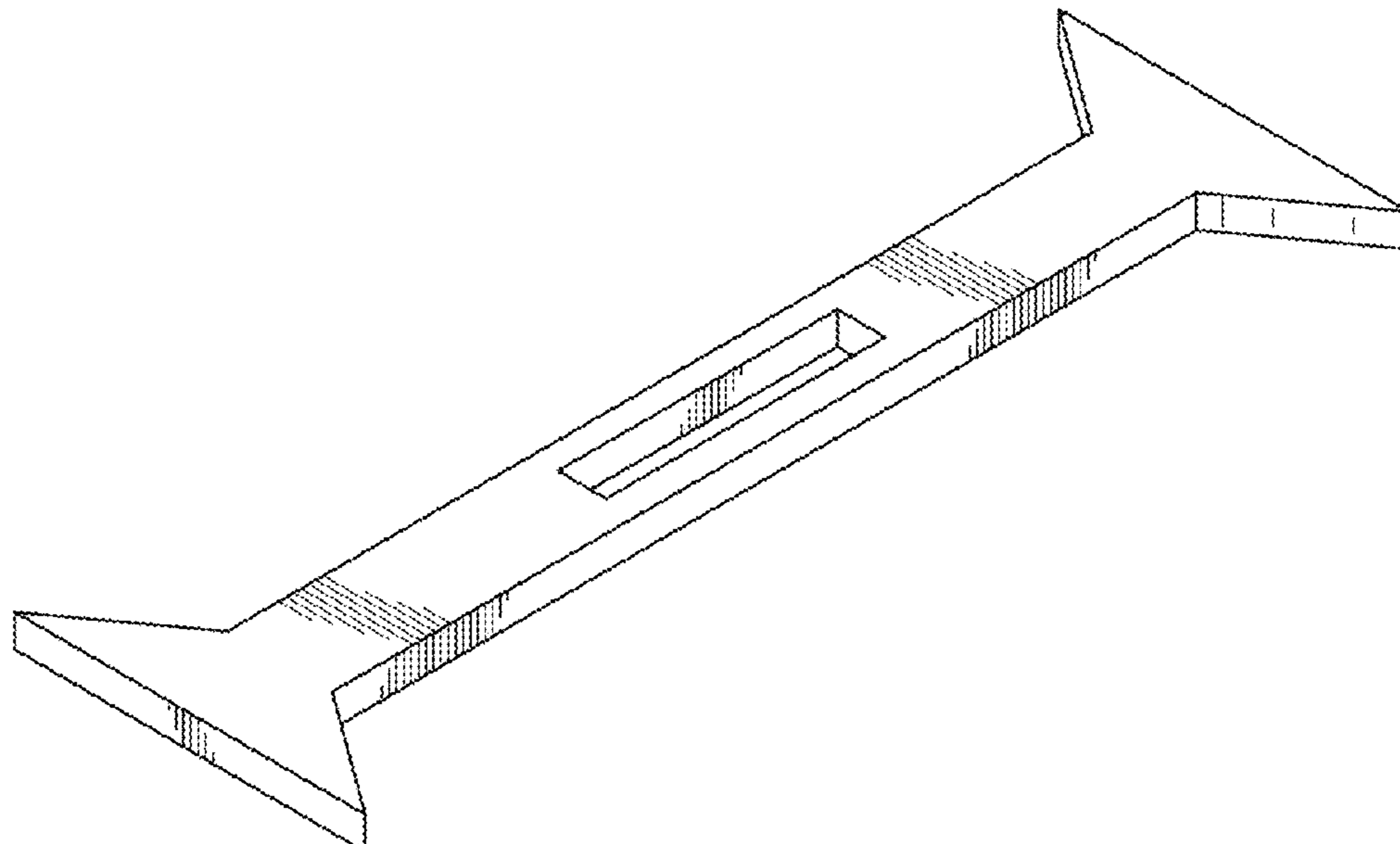
FIG. 1 is a perspective view of a windlass;  
FIG. 2 is a left side view thereof;  
FIG. 3 is a right side view thereof;  
FIG. 4 is a top view thereof;  
FIG. 5 is a bottom thereof;  
FIG. 6 is a first end thereof; and,  
FIG. 7 is a second end thereof.

**1 Claim, 5 Drawing Sheets**

(56) **References Cited**

U.S. PATENT DOCUMENTS

268,407 A \* 12/1882 Hughes ..... A61B 17/132  
24/115 H  
D270,517 S \* 9/1983 Raskin ..... 24/130  
D333,006 S \* 2/1993 Tam ..... D24/169  
5,451,234 A \* 9/1995 Wassermann ..... A61B 17/1327  
606/203  
5,628,723 A \* 5/1997 Grau ..... A61B 17/1325  
602/53



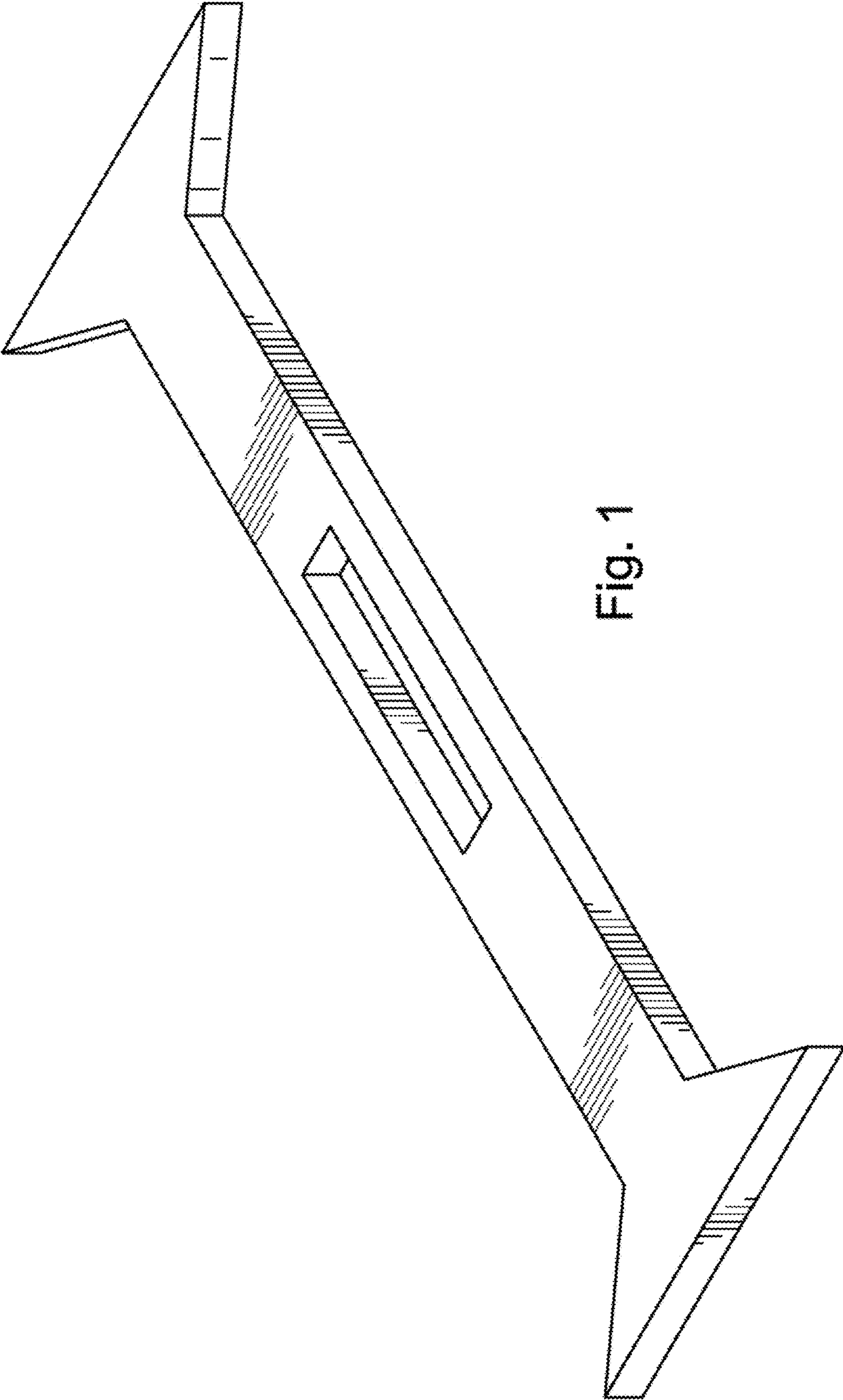


Fig. 1



Fig. 2

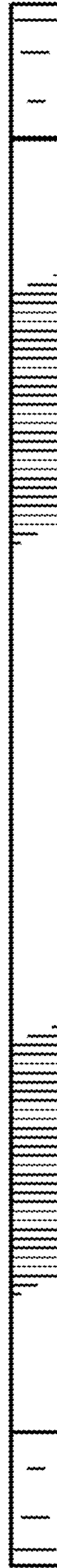


Fig. 3

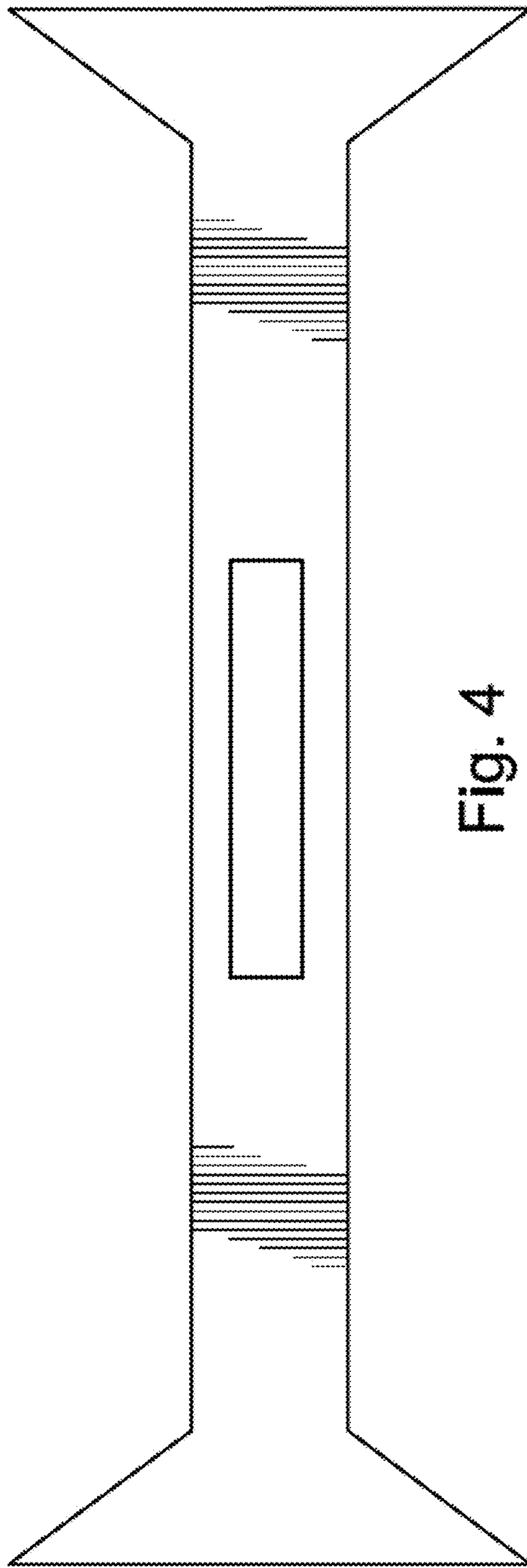


Fig. 4

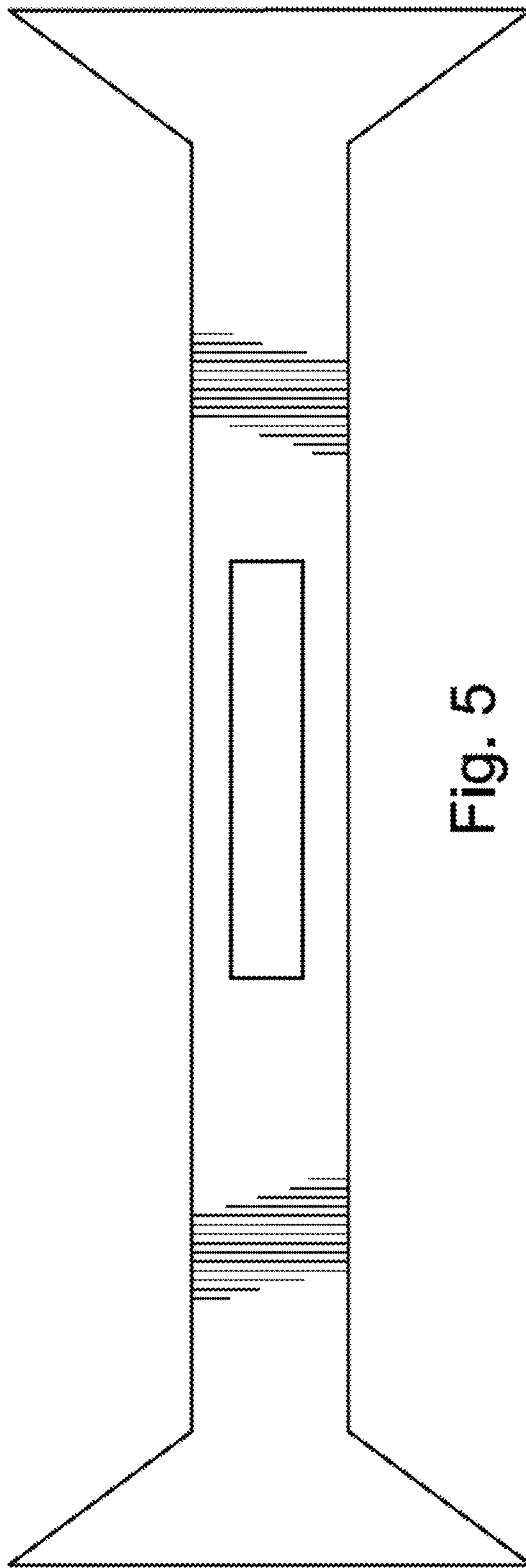


Fig. 5



Fig. 6



Fig. 7