



US00D826404S

(12) **United States Design Patent**
Baerthele

(10) **Patent No.:** **US D826,404 S**

(45) **Date of Patent:** **** Aug. 21, 2018**

(54) **ARTHROSCOPIC MEDICAL INSTRUMENT**

(71) Applicant: **KARL STORZ GmbH & Co. KG,**
Tuttlingen (DE)

(72) Inventor: **Andreas Baerthele,** Reichenau (DE)

(73) Assignee: **KARL STORZ GmbH & Co. KG,**
Tuttlingen (DE)

(**) Term: **15 Years**

(21) Appl. No.: **29/549,260**

(22) Filed: **Dec. 21, 2015**

(30) **Foreign Application Priority Data**

Jun. 19, 2015 (EM) 002722249-0001

(51) **LOC (11) Cl.** **24-02**

(52) **U.S. Cl.**
USPC **D24/138**

(58) **Field of Classification Search**

USPC D24/108, 112, 117, 118, 133, 135, 137,
D24/138, 222, 141, 111, 113, 127, 143,
D24/144, 148, 179, 216, 152, 153, 154,
D24/176, 170

CPC . A61B 18/1445; A61B 18/1402; A61B 18/14;
A61B 2018/147; A61C 1/14

See application file for complete search history.

(56) **References Cited**

U.S. PATENT DOCUMENTS

D536,790 S * 2/2007 Michel D24/137
D548,340 S * 8/2007 Michel D24/137
D639,943 S * 6/2011 Bettocchi D24/137
D667,114 S * 9/2012 Campo D24/138

D667,544 S * 9/2012 Bettocchi D24/137
D667,546 S * 9/2012 Becker D24/138
D667,547 S * 9/2012 Czupalla D24/138
D672,462 S * 12/2012 Campo D24/138
D674,090 S * 1/2013 Campo D24/138
D696,401 S * 12/2013 Campo D24/138
D743,028 S * 11/2015 Teufel D24/138

* cited by examiner

Primary Examiner — Janice C Hallmark

Assistant Examiner — Eliza Z Bennett-Hattan

(74) *Attorney, Agent, or Firm* — Muncy, Geissler, Olds & Lowe, P.C.

(57) **CLAIM**

The ornamental design for an arthroscopic medical instrument, as shown and described.

DESCRIPTION

FIG. 1 is a front perspective view of an arthroscopic medical instrument according to the present invention.

FIG. 2 is a front view of the arthroscopic medical instrument of FIG. 1.

FIG. 3 is a rear view of the arthroscopic medical instrument of FIG. 1.

FIG. 4 is a left side view of the arthroscopic medical instrument of FIG. 1.

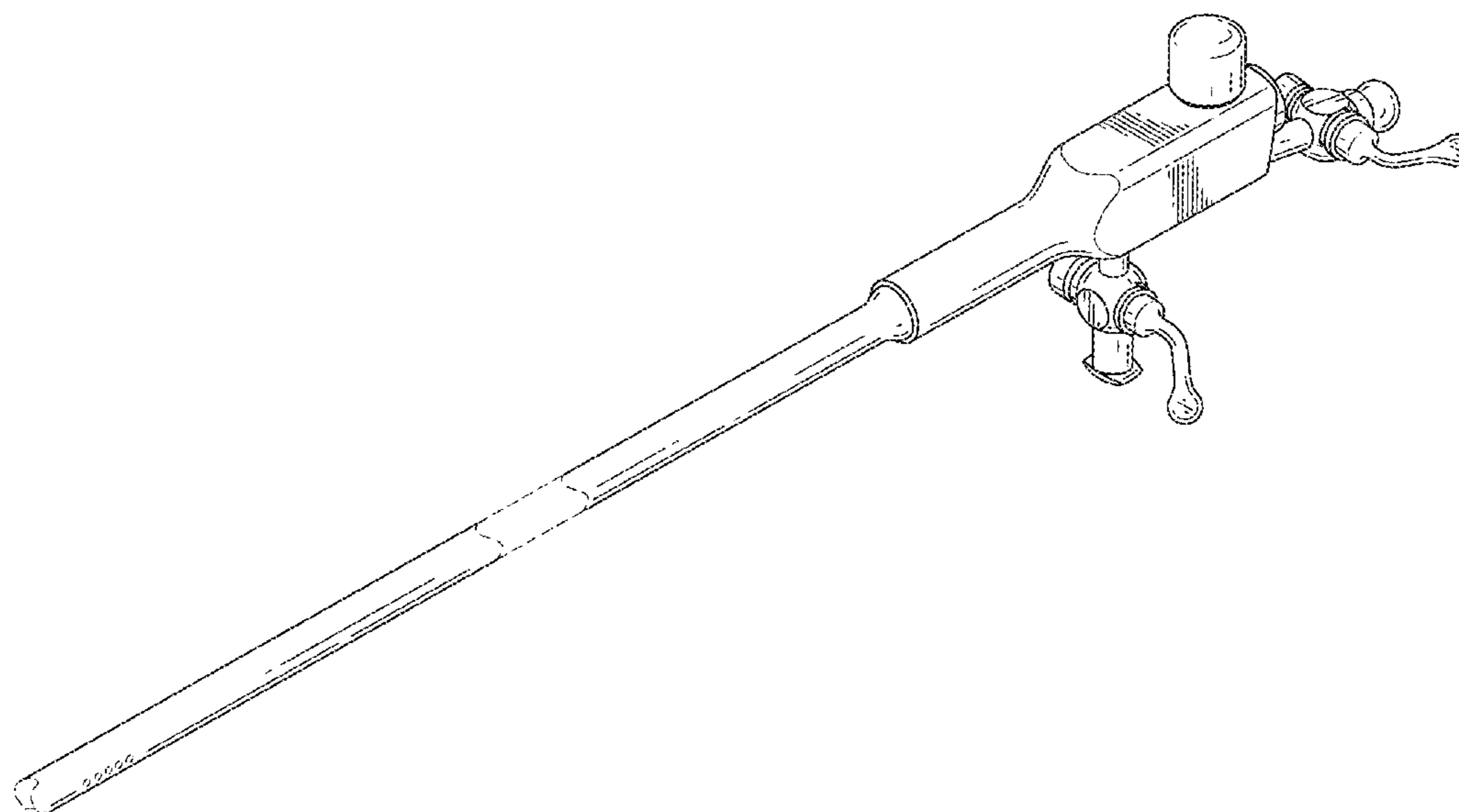
FIG. 5 is a right side view of the arthroscopic medical instrument of FIG. 1.

FIG. 6 is a top view of the arthroscopic medical instrument of FIG. 1; and,

FIG. 7 is a bottom view of the arthroscopic medical instrument of FIG. 1.

The dashed lines illustrate environment that does not form a part of the present invention, and no claim is made to the material illustrated with dashed lines.

1 Claim, 7 Drawing Sheets



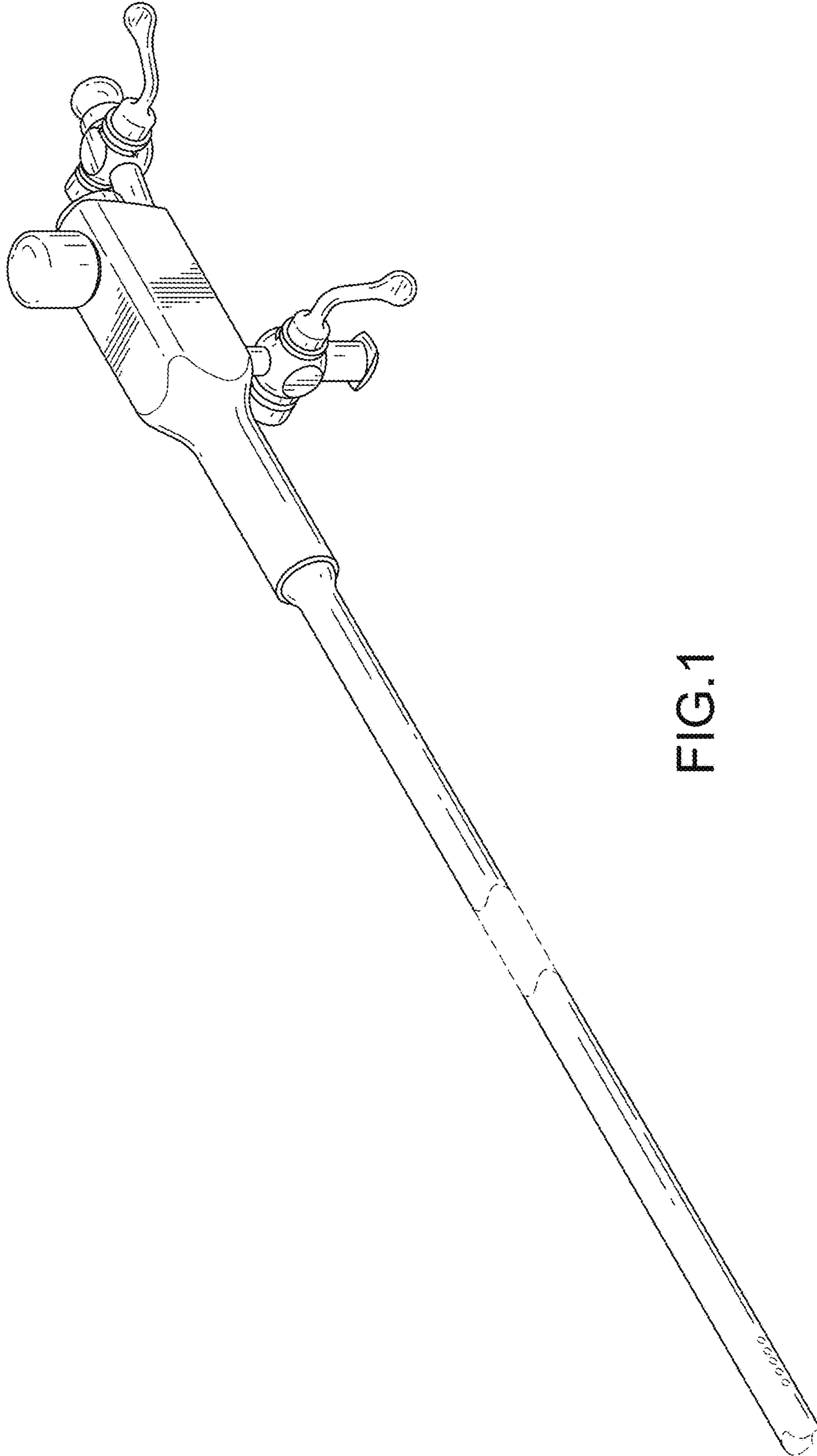


FIG. 1

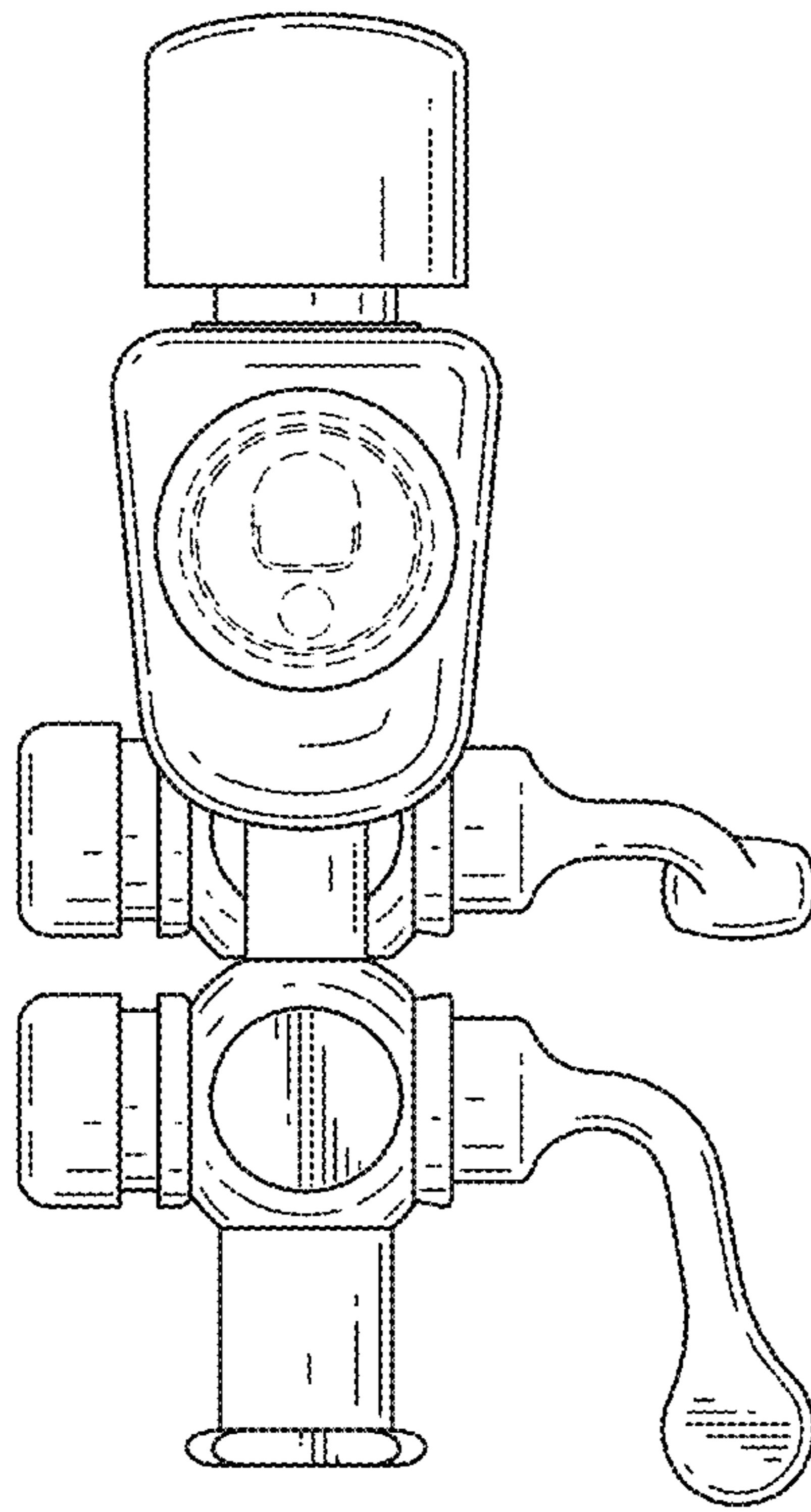


FIG.2

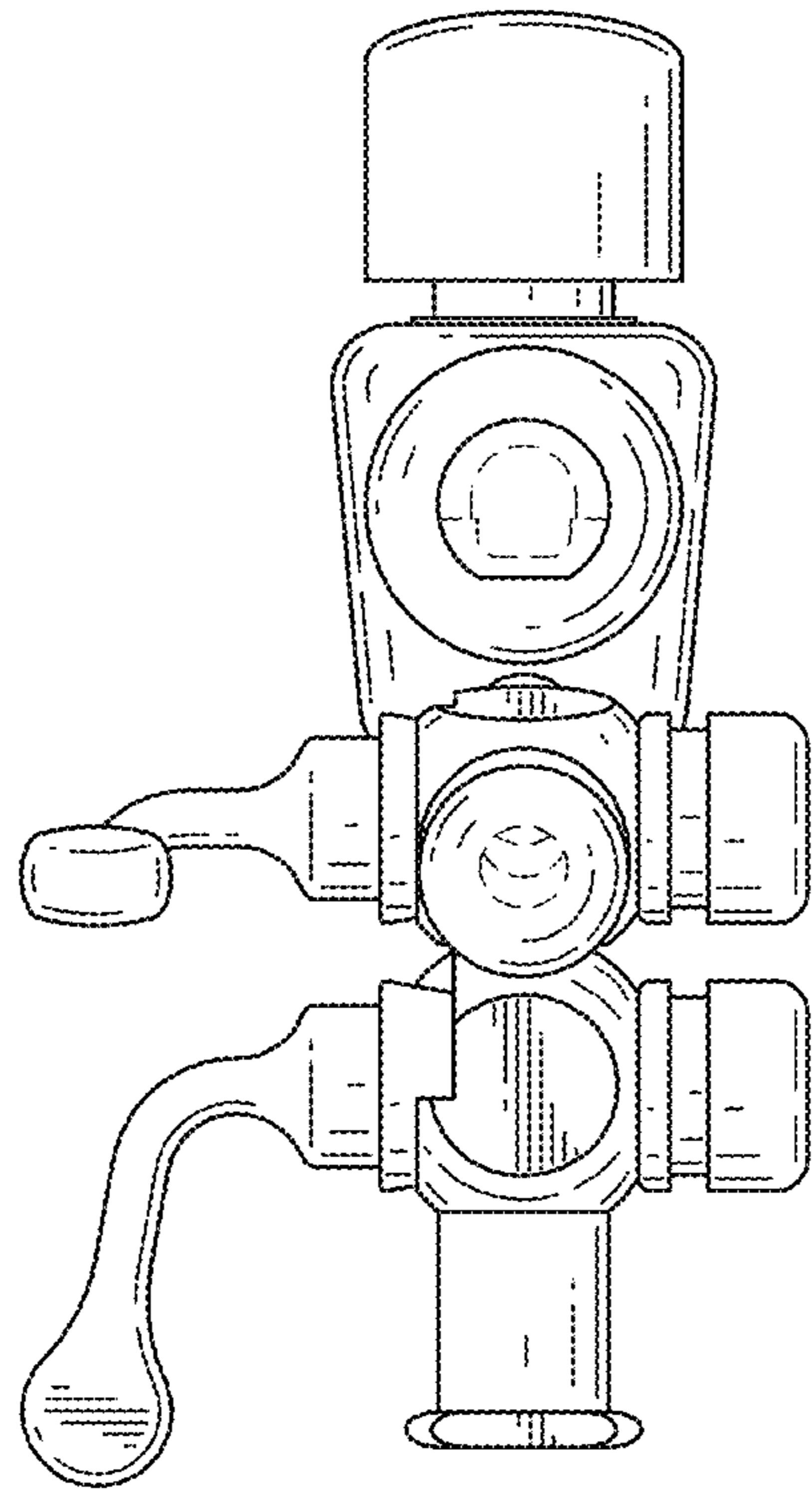


FIG.3

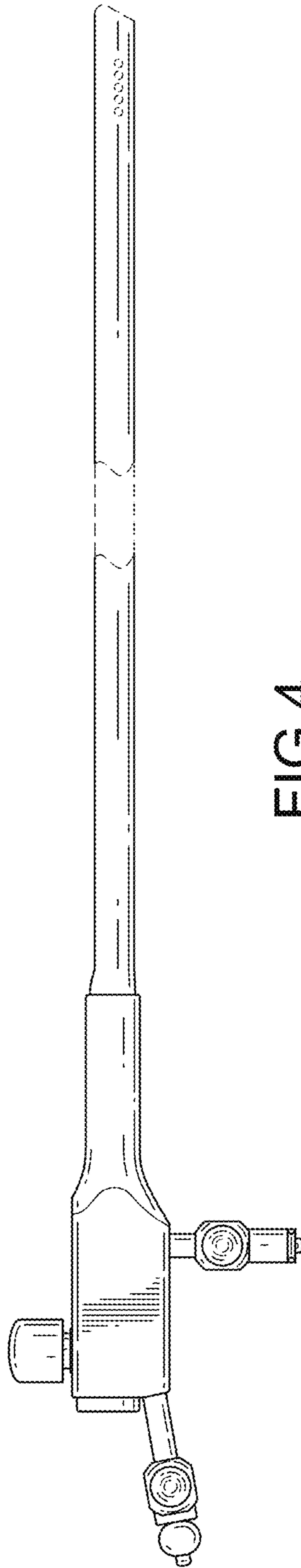


FIG.4

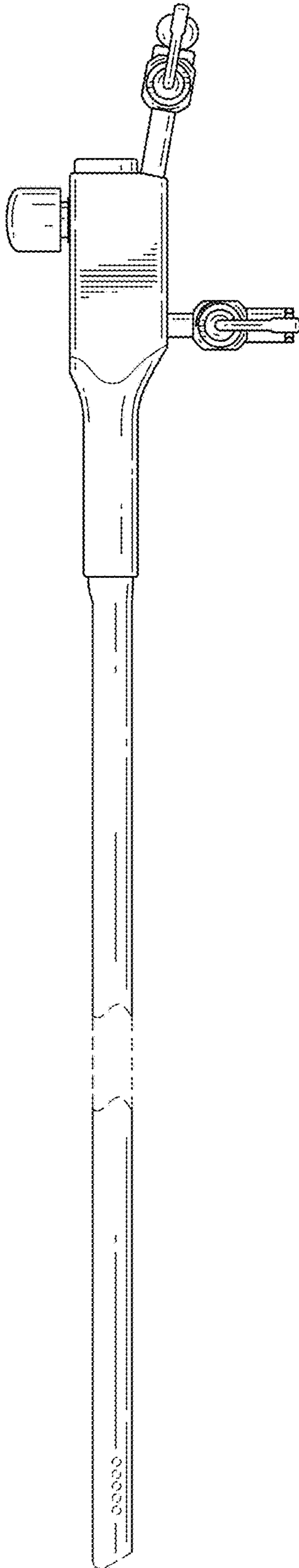


FIG.5

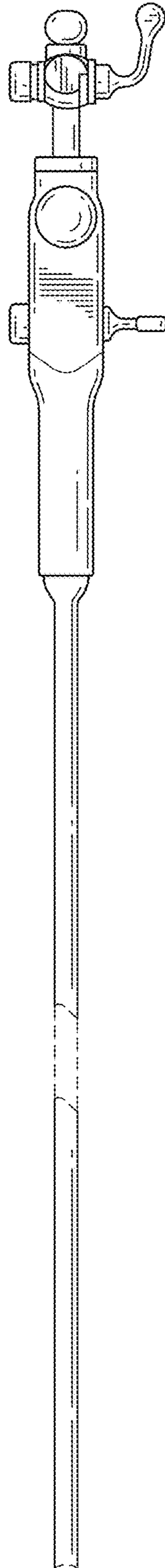


FIG.6

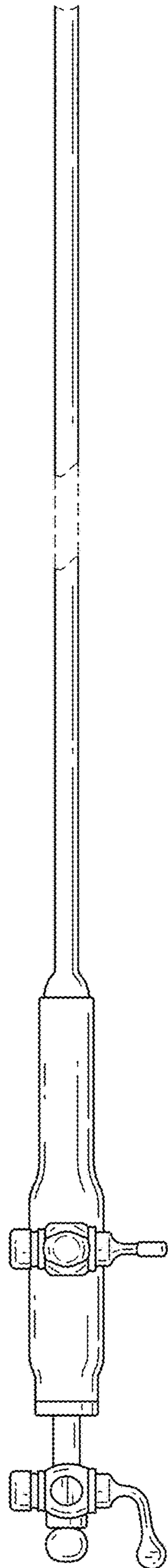


FIG.7