



US00D826401S

(12) **United States Design Patent**
Epple

(10) **Patent No.:** **US D826,401 S**

(45) **Date of Patent:** **** Aug. 21, 2018**

(54) **CONSOLE FOR A PURGE CASSETTE OF A CATHETER PUMP**

D676,136 S * 2/2013 Arimitsu D24/186
D749,206 S * 2/2016 Johnson D24/111
D751,690 S * 3/2016 Peret D24/111
D788,312 S * 5/2017 Al-Ali D24/186

(71) Applicant: **CARDIOBRIDGE GMBH**, Hechingen (DE)

(Continued)

(72) Inventor: **Klaus Epple**, Rangendingen (DE)

Primary Examiner — George D Kirschbaum

(73) Assignee: **CARDIOBRIDGE GMBH** (DE)

Assistant Examiner — Jennifer L Watkins

(**) Term: **15 Years**

(74) *Attorney, Agent, or Firm* — George R. McGuire; Bond Schoeneck & King, PLLC

(21) Appl. No.: **35/502,314**

(57) **CLAIM**

The ornamental design for a console for a purge cassette of a catheter pump, as shown and described.

(22) Filed: **Dec. 9, 2016**

DESCRIPTION

(80) **Hague Agreement Data**

Int. Filing Date: **Dec. 9, 2016**
Int. Reg. No.: **DM/094102**
Int. Reg. Date: **Dec. 9, 2016**
Int. Reg. Pub. Date: **Jan. 20, 2017**

- 1. Console for a purge cassette of a catheter pump
- 1.1 : Front perspective
- 1.2 : Back perspective
- 1.3 : Front
- 1.4 : Back
- 1.5 : Left
- 1.6 : Right
- 1.7 : Top
- 1.8 : Bottom

(51) **LOC (11) Cl.** **24-02**

(52) **U.S. Cl.**
USPC **D24/130**

(58) **Field of Classification Search**
USPC D24/111, 122, 130, 185, 186
CPC A61B 5/14551; A61B 5/6826; A61B 5/14552; A61B 5/0205; A61B 5/1455; A61B 5/6838; A61B 5/14532; A61B 5/0022; A61B 5/742; A61B 5/021; A61B 5/02416; A61B 5/0402
See application file for complete search history.

Figure 1.1 shows a front perspective view of the console for a purge cassette of a catheter pump; figure 1.2 shows a back perspective view of the console for a purge cassette of a catheter pump; figure 1.3 shows a front view of the console for a purge cassette of a catheter pump; figure 1.4 shows a back view of the console for a purge cassette of a catheter pump; figure 1.5 shows a left view of the console for a purge cassette of a catheter pump; figure 1.6 shows a right view of the console for a purge cassette of a catheter pump; figure 1.7 shows a top view of the console for a purge cassette of a catheter pump; figure 1.8 shows a bottom view of the console for a purge cassette of a catheter pump.

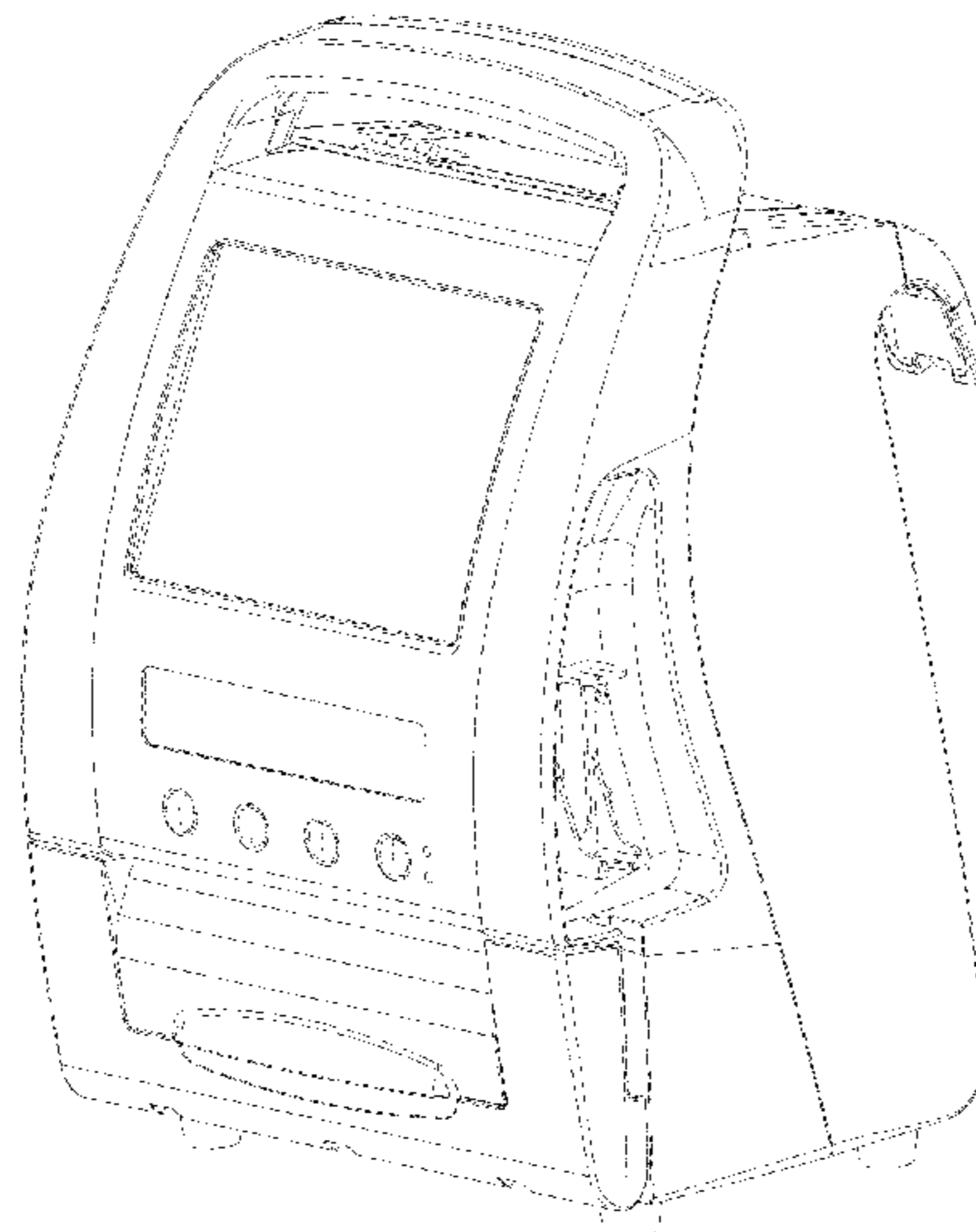
(56) **References Cited**

U.S. PATENT DOCUMENTS

D504,953 S * 5/2005 Ryan D24/200
D549,830 S * 8/2007 Behar D24/186
D574,953 S * 8/2008 Boaz D24/111
D586,463 S * 2/2009 Evans D24/111
D611,991 S * 3/2010 Slowey D19/59
D616,993 S * 6/2010 Muis D24/186

The broken lines in the figures showing of a console for a purge cassette of a catheter pump are for the purpose of illustrating portions of the article and form no part of the claim.

1 Claim, 8 Drawing Sheets



(56)

References Cited

U.S. PATENT DOCUMENTS

D794,207 S * 8/2017 Flanagan D24/186
2008/0114220 A1 * 5/2008 Banet A61B 5/021
600/301

* cited by examiner

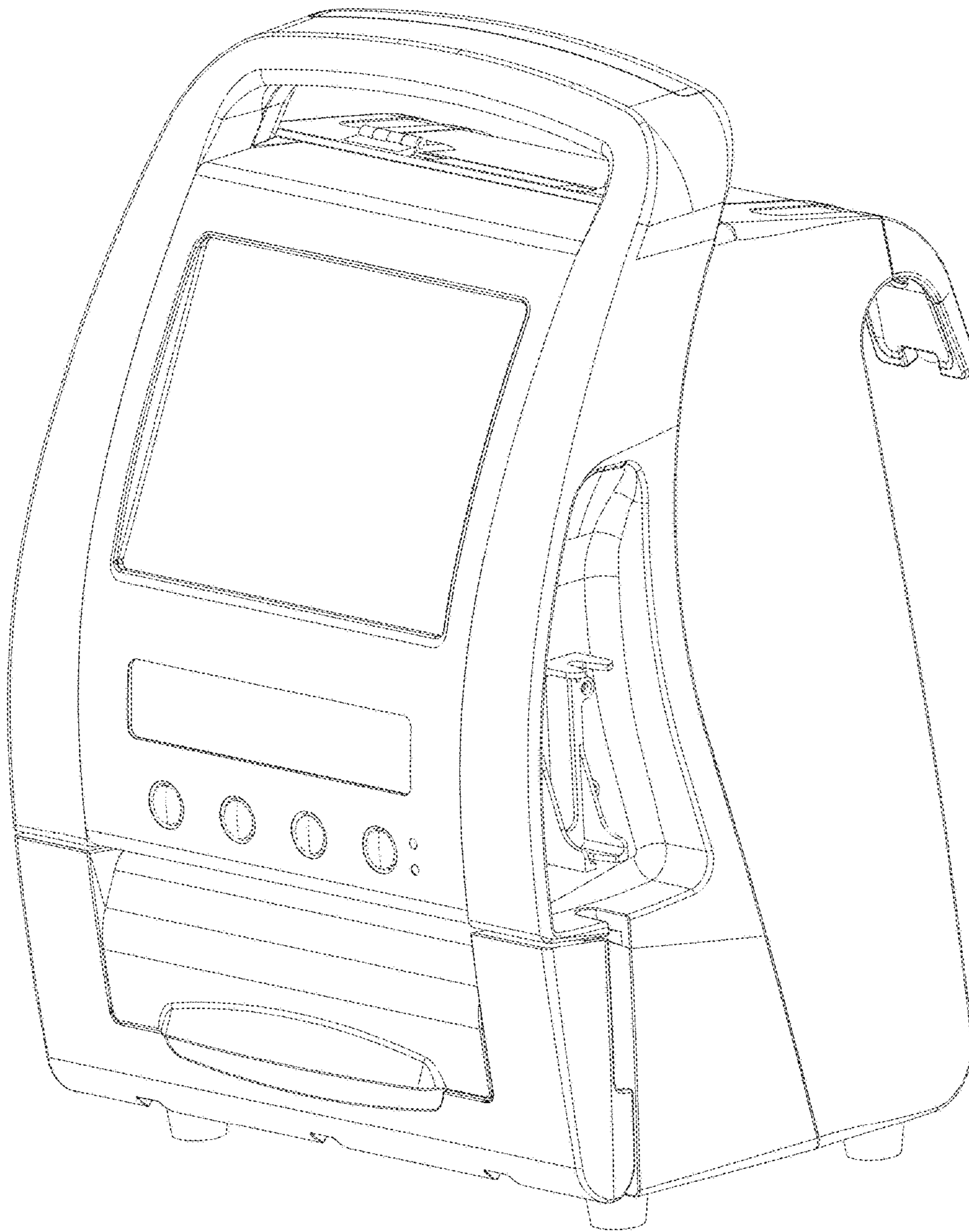


FIG. 1.1

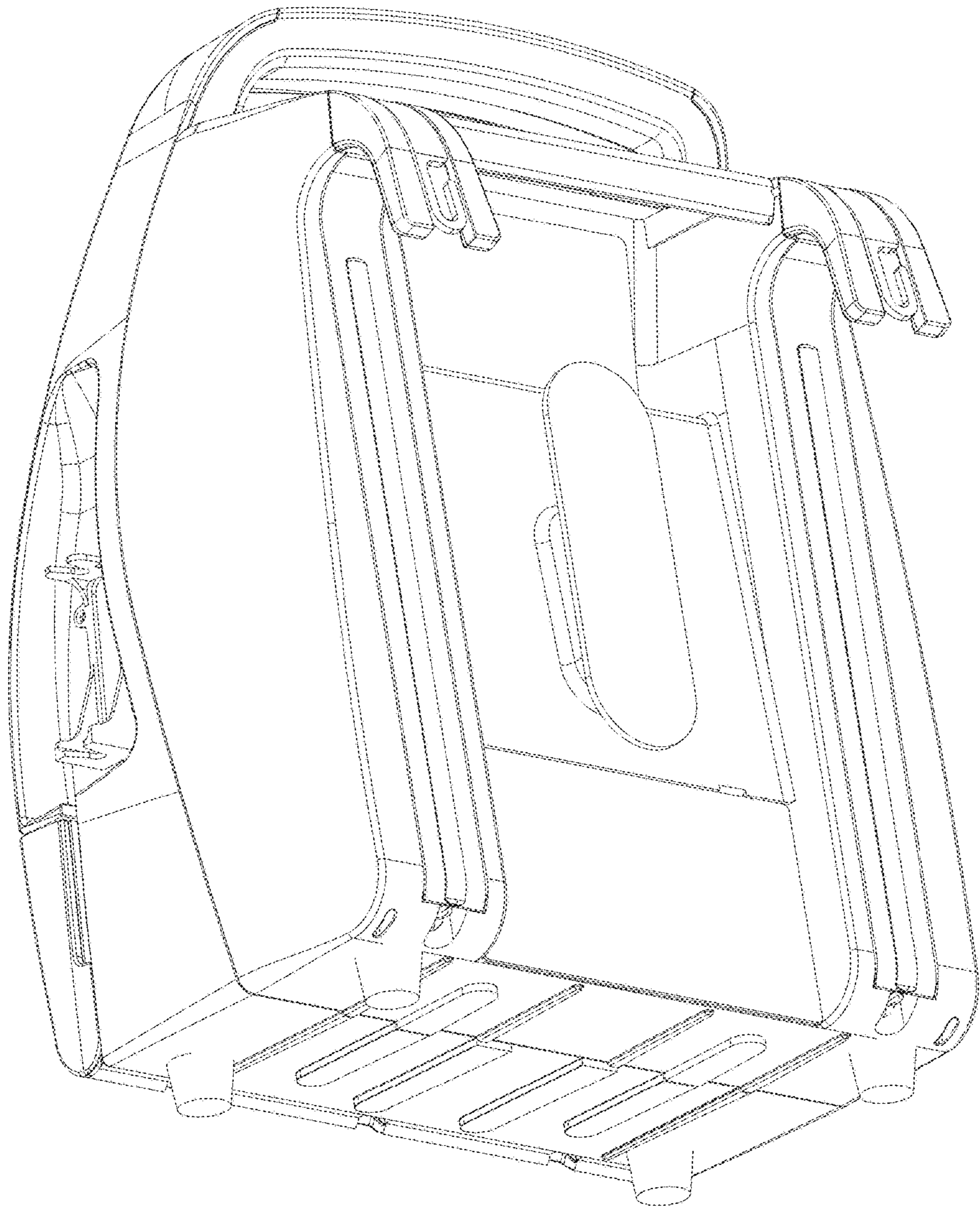


FIG. 1.2

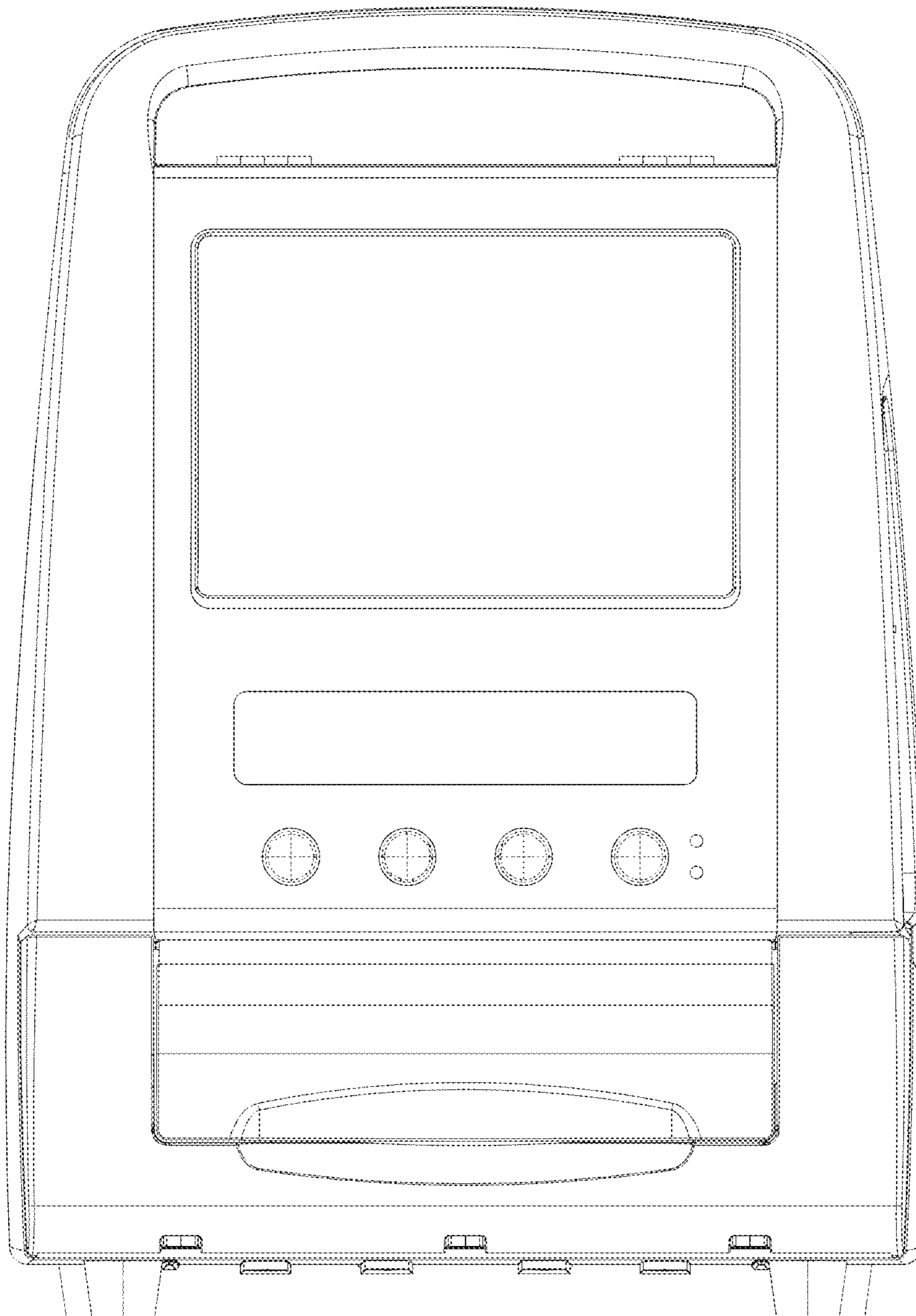


FIG. 1.3

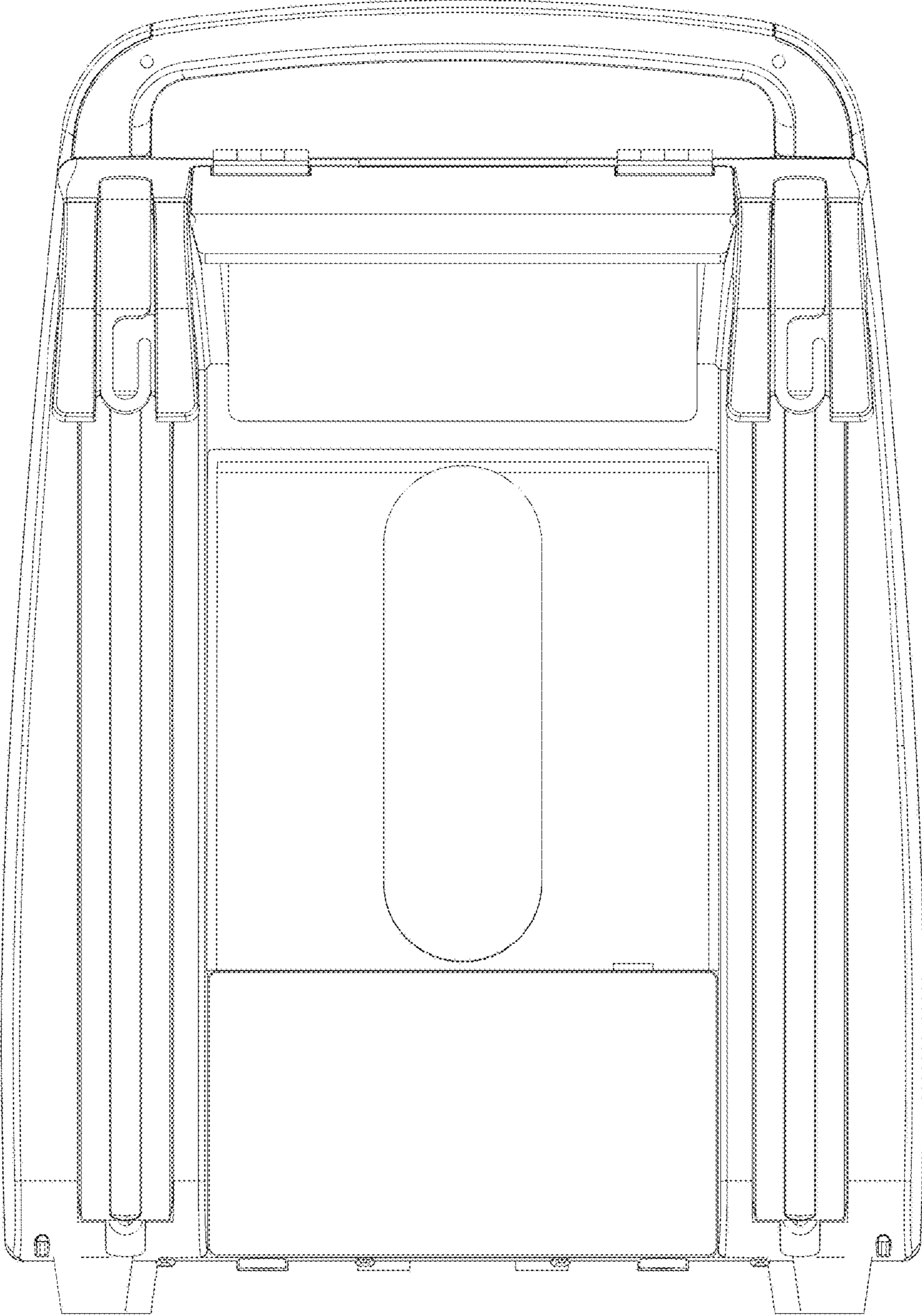


FIG. 1.4

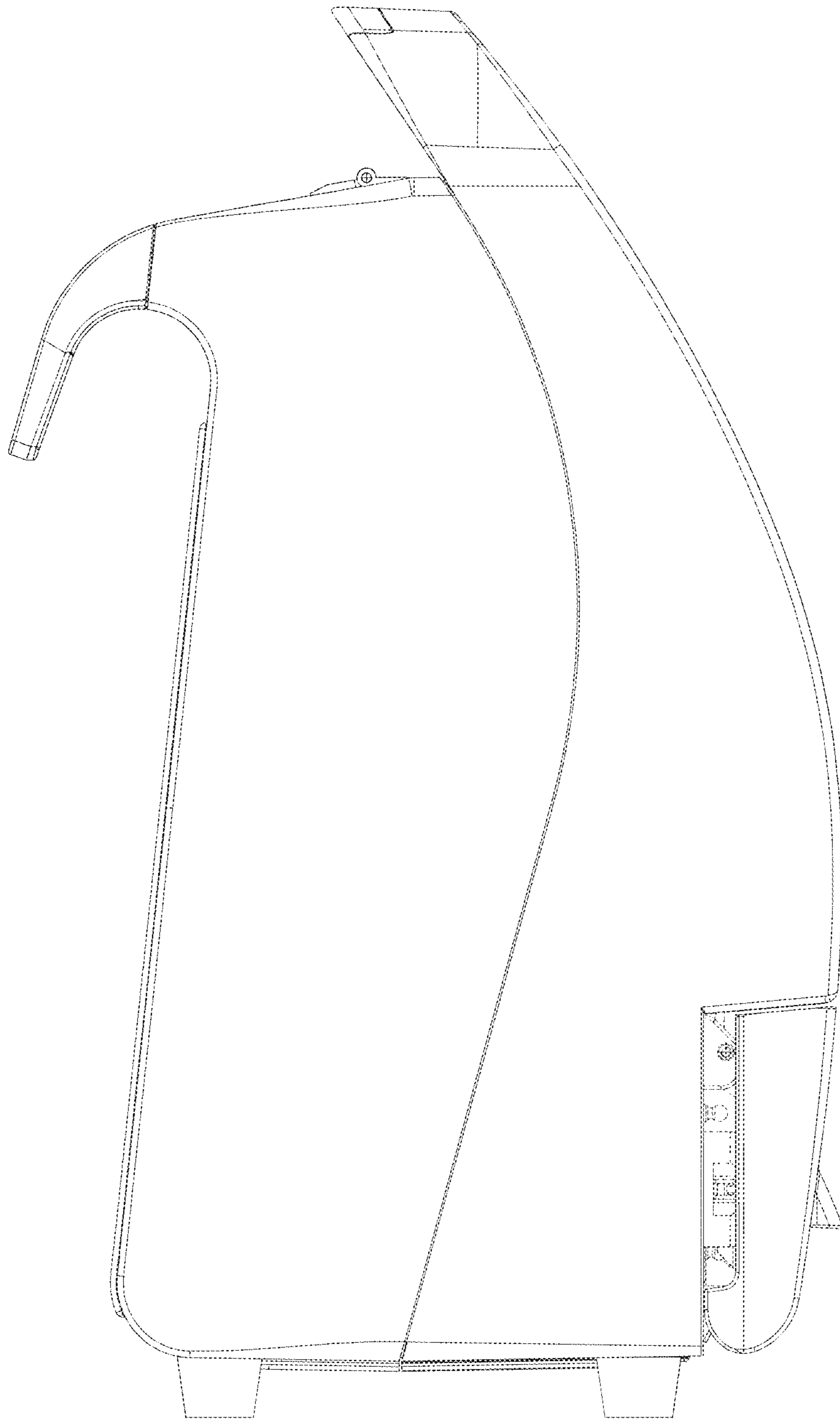


FIG. 1.5

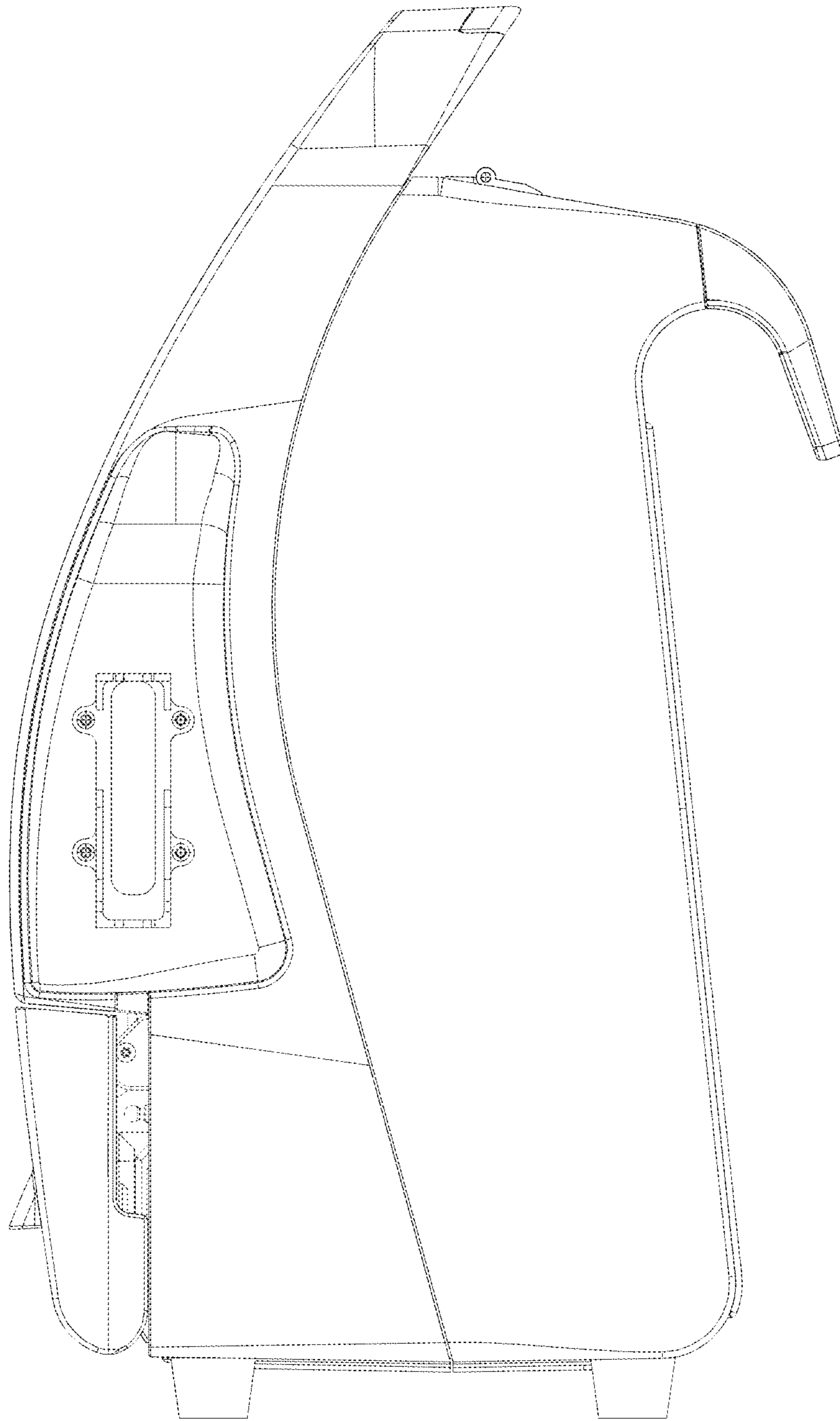


FIG. 1.6

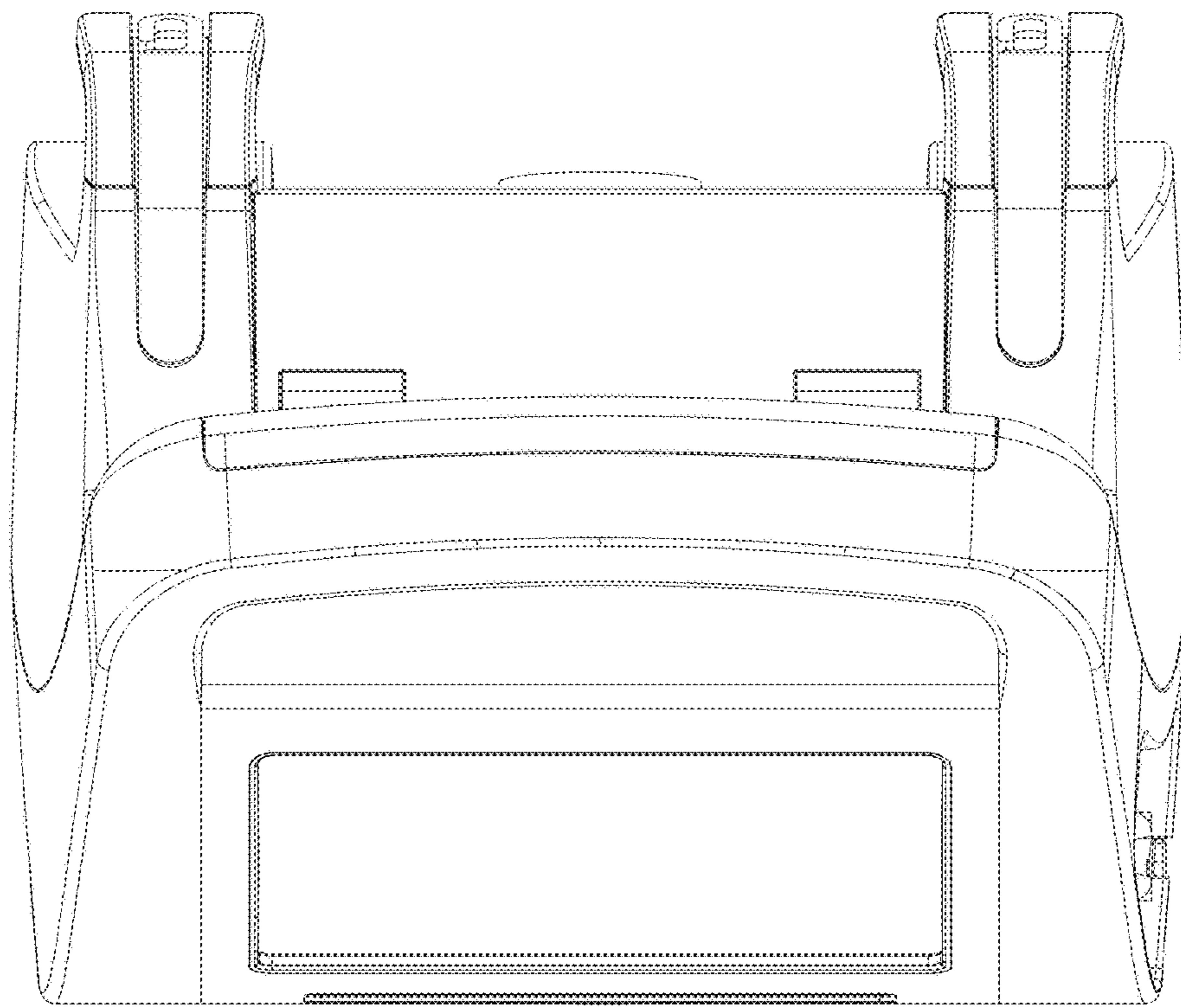


FIG. 1.7

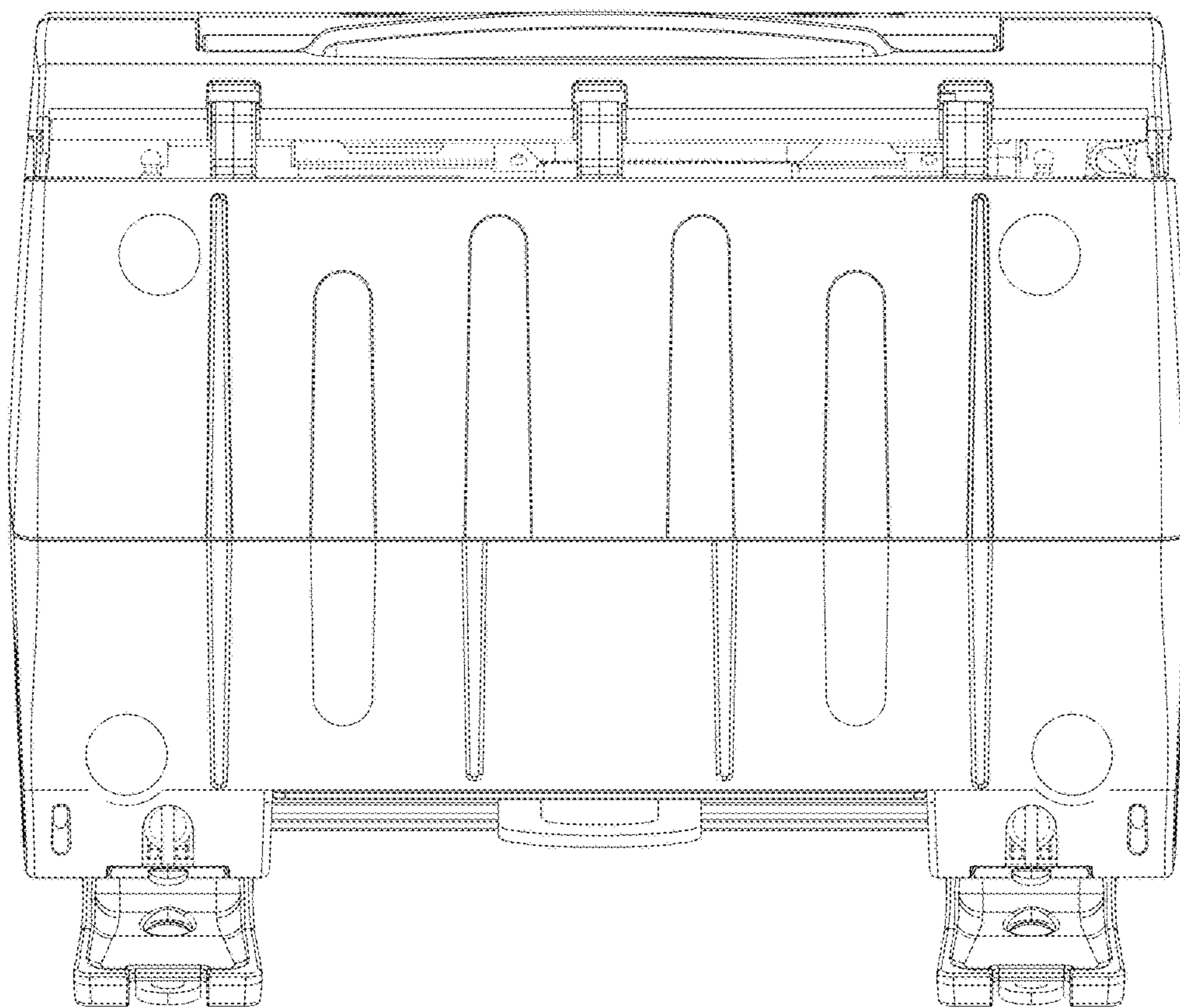


FIG. 1.8