



US00D826398S

(12) **United States Design Patent** (10) **Patent No.:** **US D826,398 S**  
**Eaton et al.** (45) **Date of Patent:** **\*\* Aug. 21, 2018**

- (54) **CONTAINER HOLDER WITH A CAMERA**
- (71) Applicant: **EYE DROP IMAGING TECHNOLOGY, LLC**, Fort Myers, FL (US)
- (72) Inventors: **Alexander M. Eaton**, Fort Myers, FL (US); **Ruixue Liu**, Fort Myers, FL (US); **Brian Bradley**, Fort Myers, FL (US)
- (73) Assignee: **Eye Drop Imaging Technology, LLC**, Fort Myers, FL (US)
- (\*\*) Term: **15 Years**
- (21) Appl. No.: **29/582,879**
- (22) Filed: **Oct. 31, 2016**
- (51) **LOC (11) Cl.** ..... **24-02**
- (52) **U.S. Cl.**  
USPC ..... **D24/128; D16/242**
- (58) **Field of Classification Search**  
USPC ..... D8/354, 355, 363, 373, 382-383, D8/394-396; D14/224, 229, 238, 251, D14/447, 451, 457; D16/219, 237-250; D24/128  
CPC ..... G02B 7/00  
See application file for complete search history.

- D499,804 S \* 12/2004 Sherman ..... D24/127  
D592,304 S \* 5/2009 Kuehfuss ..... D24/128  
D611,152 S \* 3/2010 Updyke ..... D24/169  
D652,517 S \* 1/2012 Weaver ..... D24/134  
D750,773 S 3/2016 Eaton et al.  
D751,702 S 3/2016 Eaton et al.  
D808,012 S \* 1/2018 Eaton ..... D24/128  
D809,655 S \* 2/2018 Eaton ..... D24/128  
D810,288 S \* 2/2018 Eaton ..... D24/128

**FOREIGN PATENT DOCUMENTS**

WO 2014081570 A1 5/2014

\* cited by examiner

*Primary Examiner* — Garth Rademaker

*Assistant Examiner* — Melvin L Davis

(74) *Attorney, Agent, or Firm* — Yakov S. Sidorin; Quarles & Brady LLP

(57) **CLAIM**

The ornamental design for a container holder with a camera, as shown and described.

**DESCRIPTION**

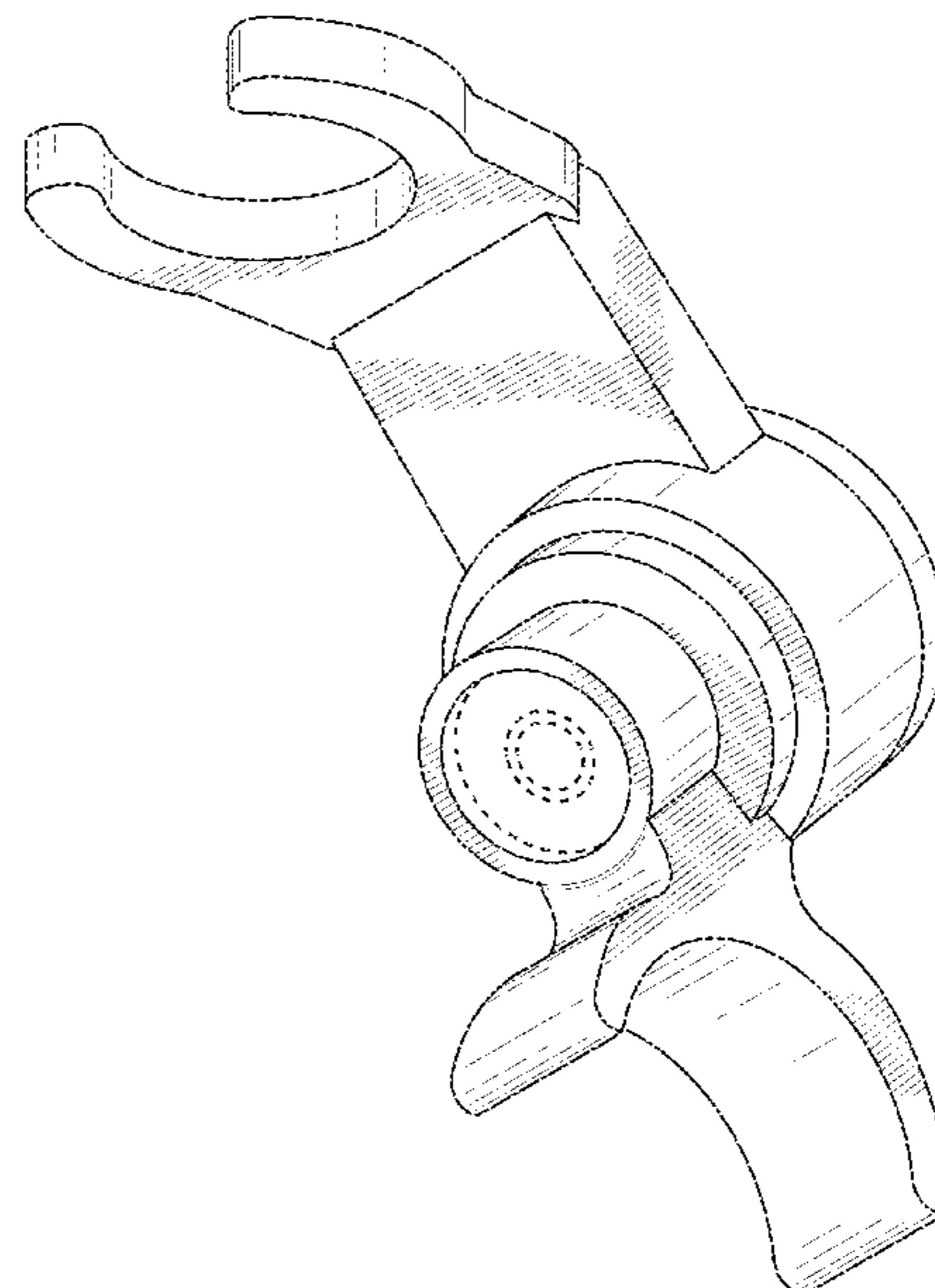
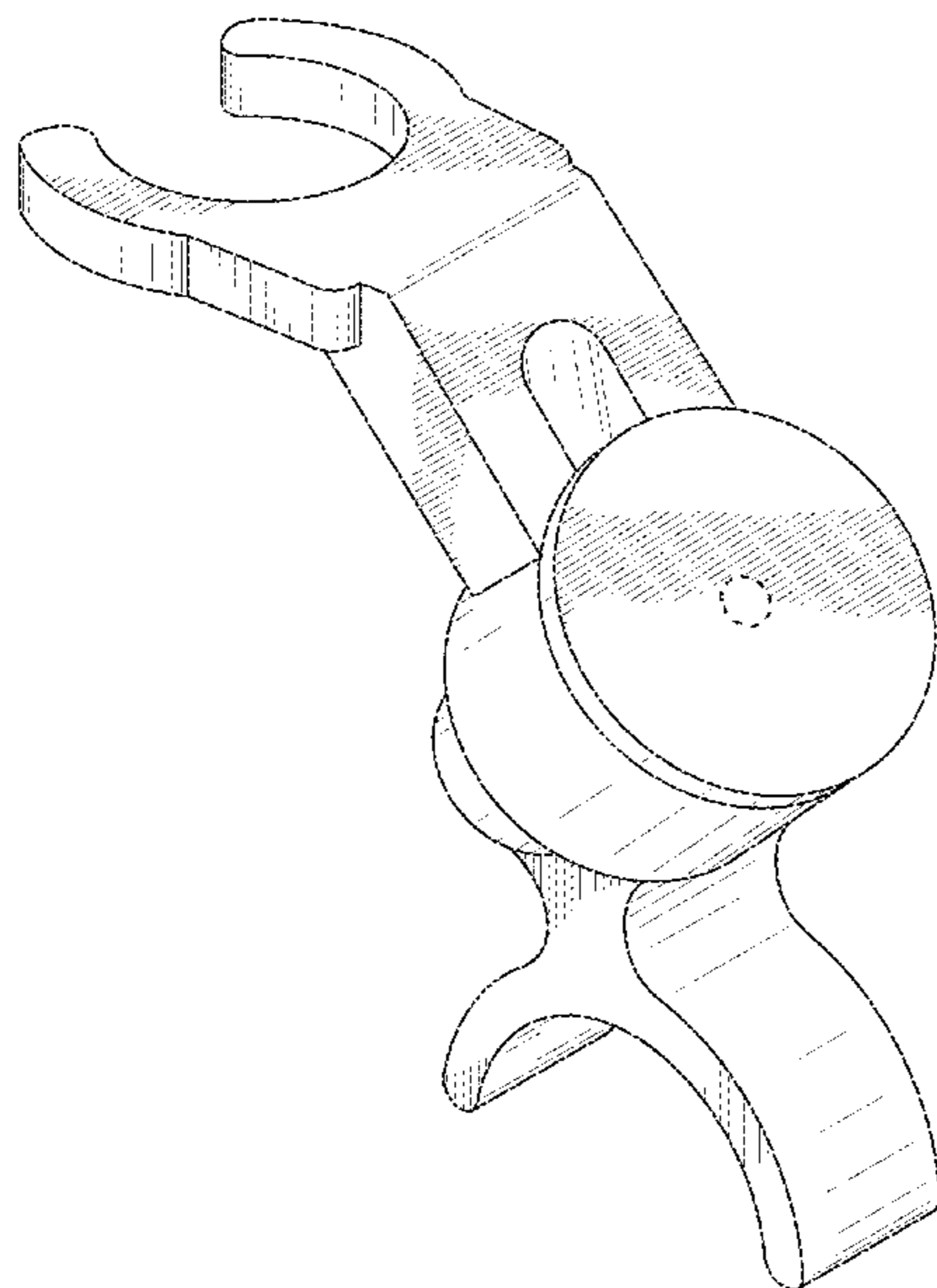
FIG. 1 is a front, top perspective view of a container holder with camera;  
FIG. 2 is a rear, bottom perspective view thereof;  
FIG. 3 is a front view thereof;  
FIG. 4 is a rear view thereof;  
FIG. 5 is a side view thereof;  
FIG. 6 is an opposite side view thereof;  
FIG. 7 is a top plan view thereof; and,  
FIG. 8 is a bottom plan view thereof.

The broken lines illustrate portions of the container holder with camera that form no part of the claimed design.

**1 Claim, 8 Drawing Sheets**

(56) **References Cited**  
**U.S. PATENT DOCUMENTS**

- 3,934,590 A \* 1/1976 Campagna ..... A61F 9/0026  
604/302  
D249,709 S \* 9/1978 Trovinger ..... 604/300  
D457,952 S \* 5/2002 Sherman ..... D24/115  
D463,550 S \* 9/2002 Sherman ..... D24/115



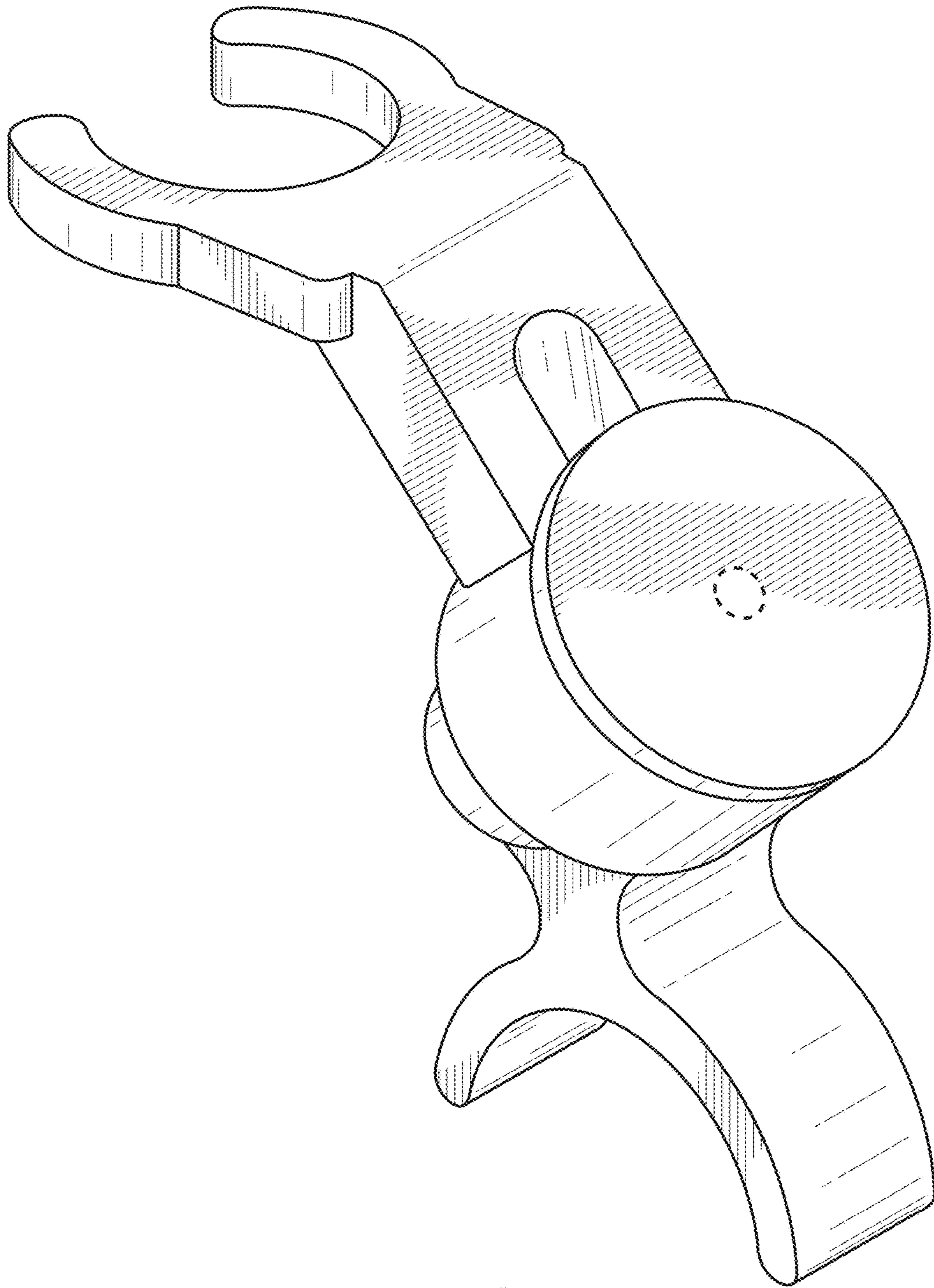


FIG. 1

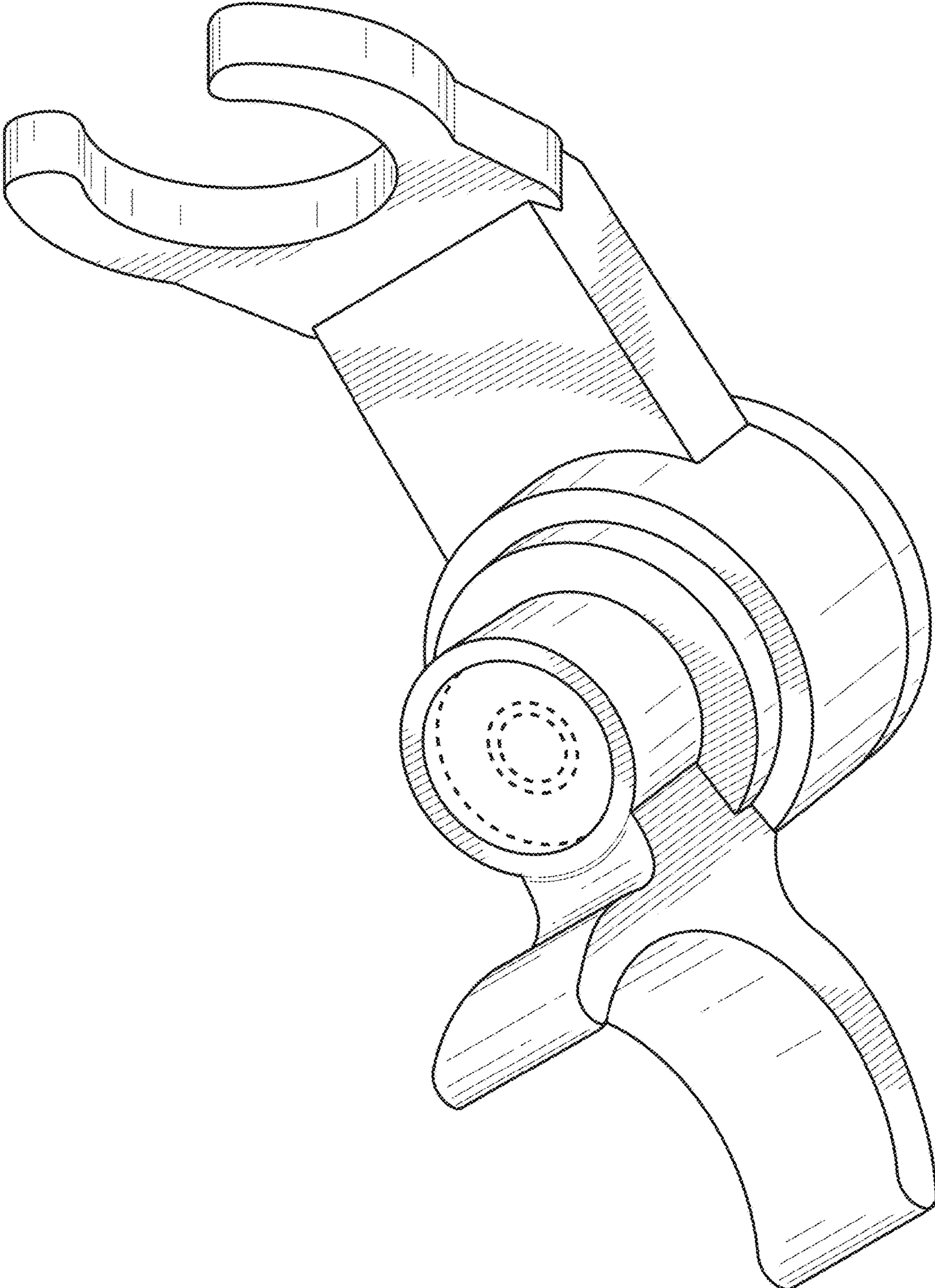


FIG. 2



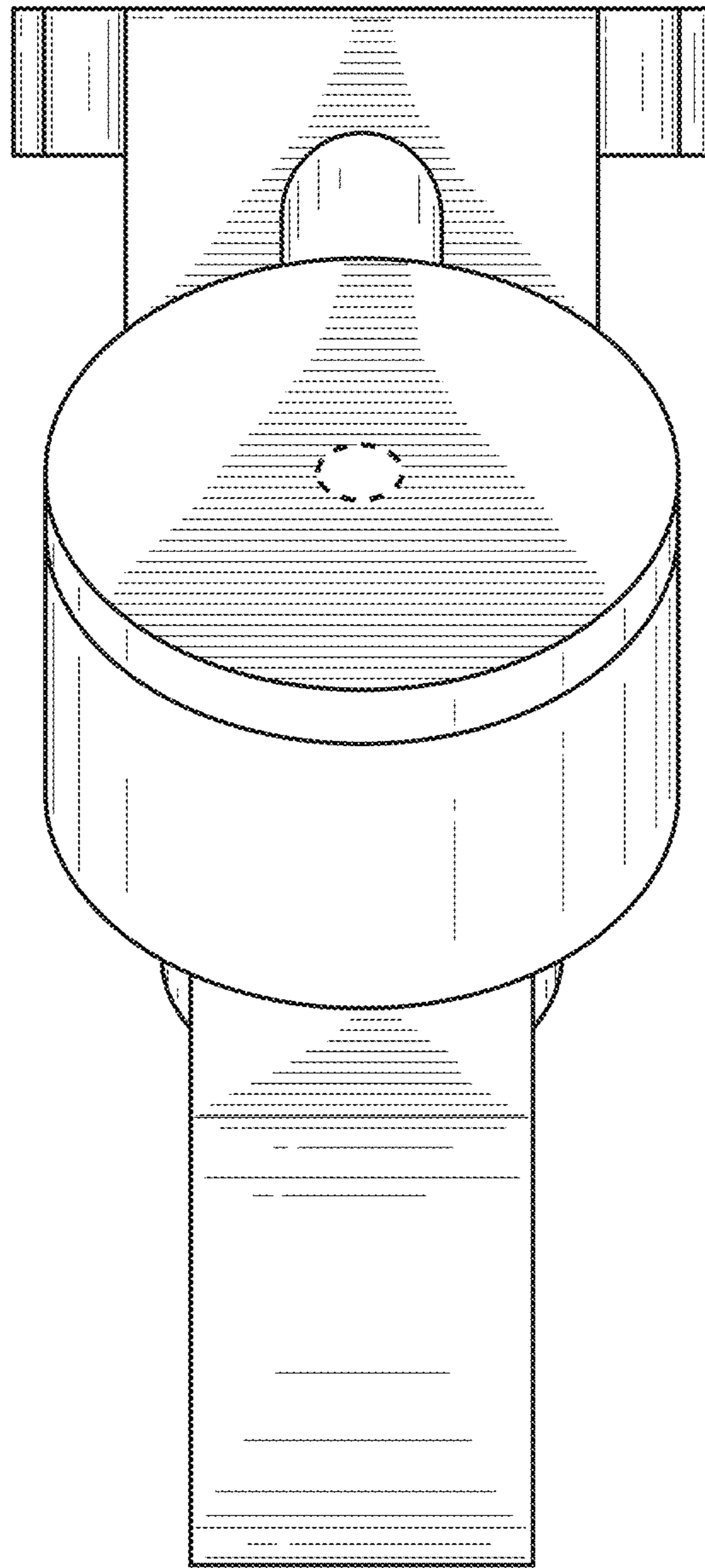


FIG. 3

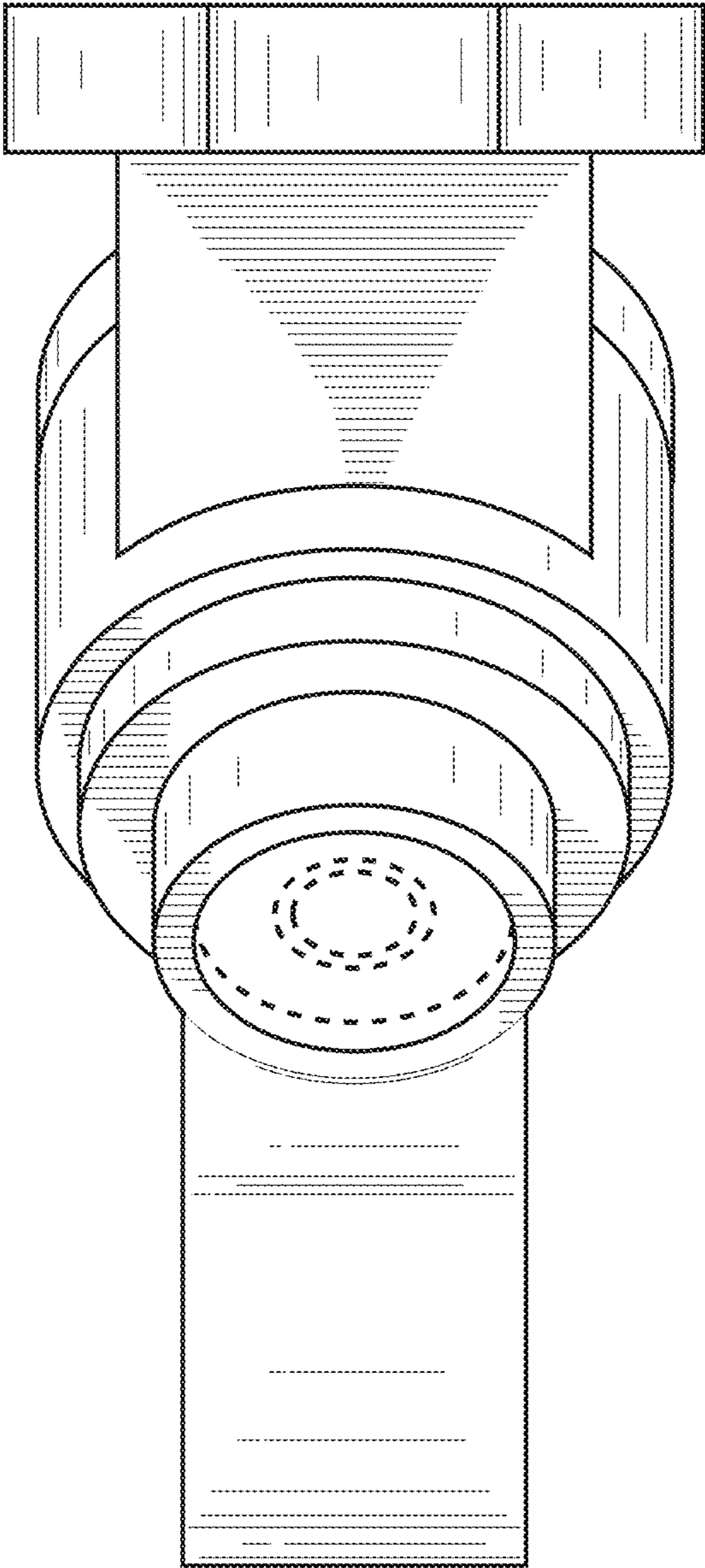


FIG. 4

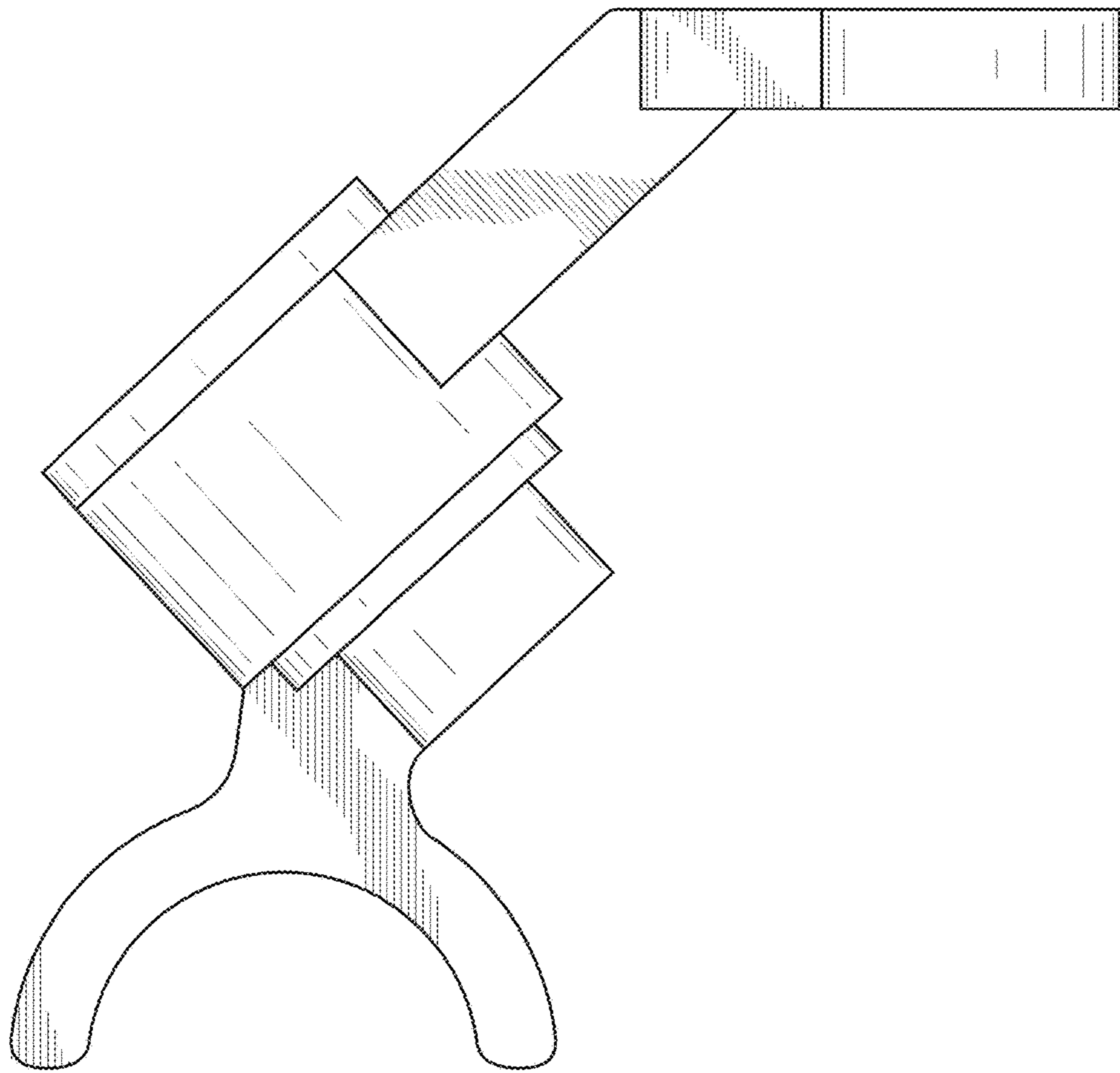


FIG. 5

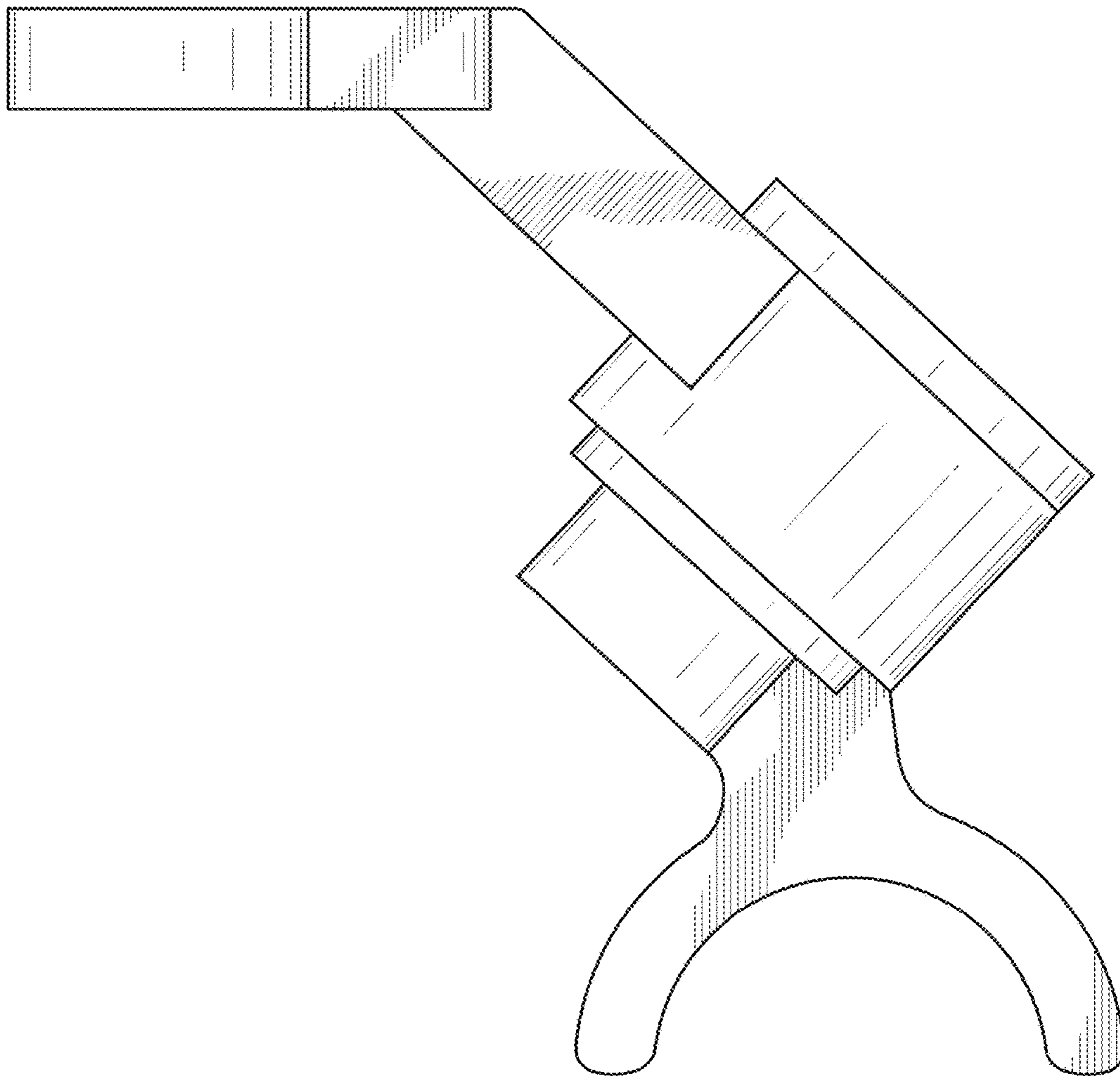


FIG. 6

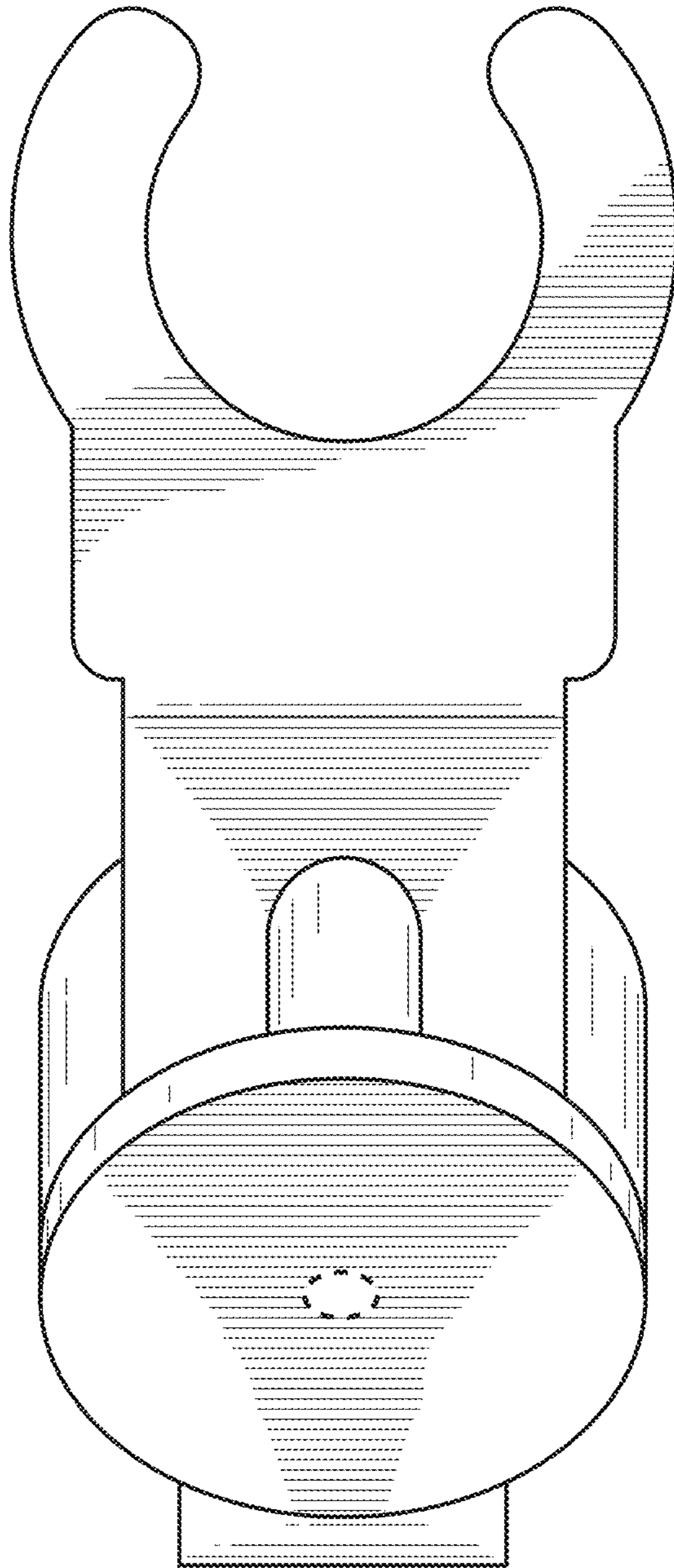


FIG. 7



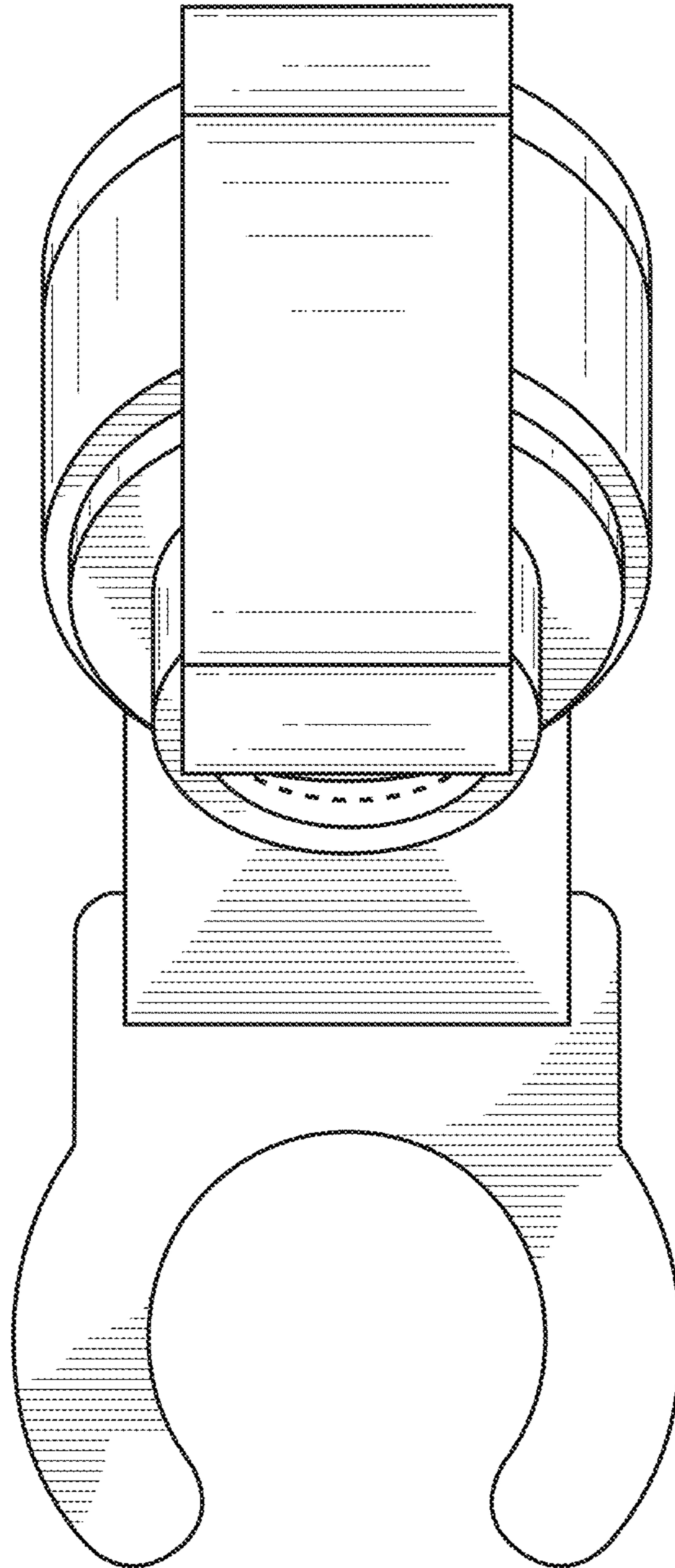


FIG. 8