



US00D826395S

(12) **United States Design Patent** (10) **Patent No.:** **US D826,395 S**  
**McRoberts et al.** (45) **Date of Patent:** **\*\* Aug. 21, 2018**

(54) **CEILING FAN MOTOR HOUSING**  
(71) Applicant: **HUNTER FAN COMPANY**,  
Memphis, TN (US)  
(72) Inventors: **Claire Bernice McRoberts**, Memphis,  
TN (US); **Christine Holmes**, Memphis,  
TN (US)  
(73) Assignee: **Hunter Fan Company**, Memphis, TN  
(US)

4,073,598 A 2/1978 Mizutani et al.  
D300,469 S \* 3/1989 Ewing ..... D26/24  
D314,618 S 2/1991 Yen  
D322,475 S 12/1991 Markwardt et al.  
D325,776 S \* 4/1992 Scofield ..... D23/377  
D328,785 S 8/1992 Markwardt  
D328,948 S 8/1992 Wang  
D343,244 S \* 1/1994 Belisle ..... D26/85  
D344,129 S 2/1994 Markwardt  
(Continued)

(\*\*) Term: **15 Years**  
(21) Appl. No.: **29/618,428**  
(22) Filed: **Sep. 21, 2017**

**Related U.S. Application Data**

(62) Division of application No. 29/553,853, filed on Feb.  
5, 2016, now Pat. No. Des. 804,629.  
(51) **LOC (11) Cl.** ..... **23-03**  
(52) **U.S. Cl.**  
USPC ..... **D23/411**  
(58) **Field of Classification Search**  
USPC ..... D23/335-337, 355, 370-385, 411-414;  
D26/59, 67, 72, 80-89, 92, 104-105, 110,  
D26/113, 118-119, 128-137  
CPC .... F04D 25/088; F21V 33/0096; F21V 21/03;  
F21V 17/002; F21V 23/007; F21V 23/04;  
F21V 23/0485; F21V 15/01; F21V  
19/006; F21V 19/04; F21V 21/02; F21V  
23/002; F21V 23/005; F21V 33/0052;  
F21V 7/22  
See application file for complete search history.

(56) **References Cited**

**U.S. PATENT DOCUMENTS**

D39,744 S \* 1/1909 Jackson ..... D25/106  
D41,818 S \* 10/1911 Evans ..... D26/137  
D246,796 S 12/1977 Laymon et al.

**OTHER PUBLICATIONS**

<http://www.minkagroup.net/minka-aire/products>, Item Specifica-  
tion for Roto F524-ABD 52" 3 Blade Ceiling Fan in Brushed  
Aluminum Finish with Silver Blades, accessed Feb. 4, 2016.

(Continued)

*Primary Examiner* — Cathron C Brooks

*Assistant Examiner* — Sharon S Oum

(74) *Attorney, Agent, or Firm* — McGarry Bair PC

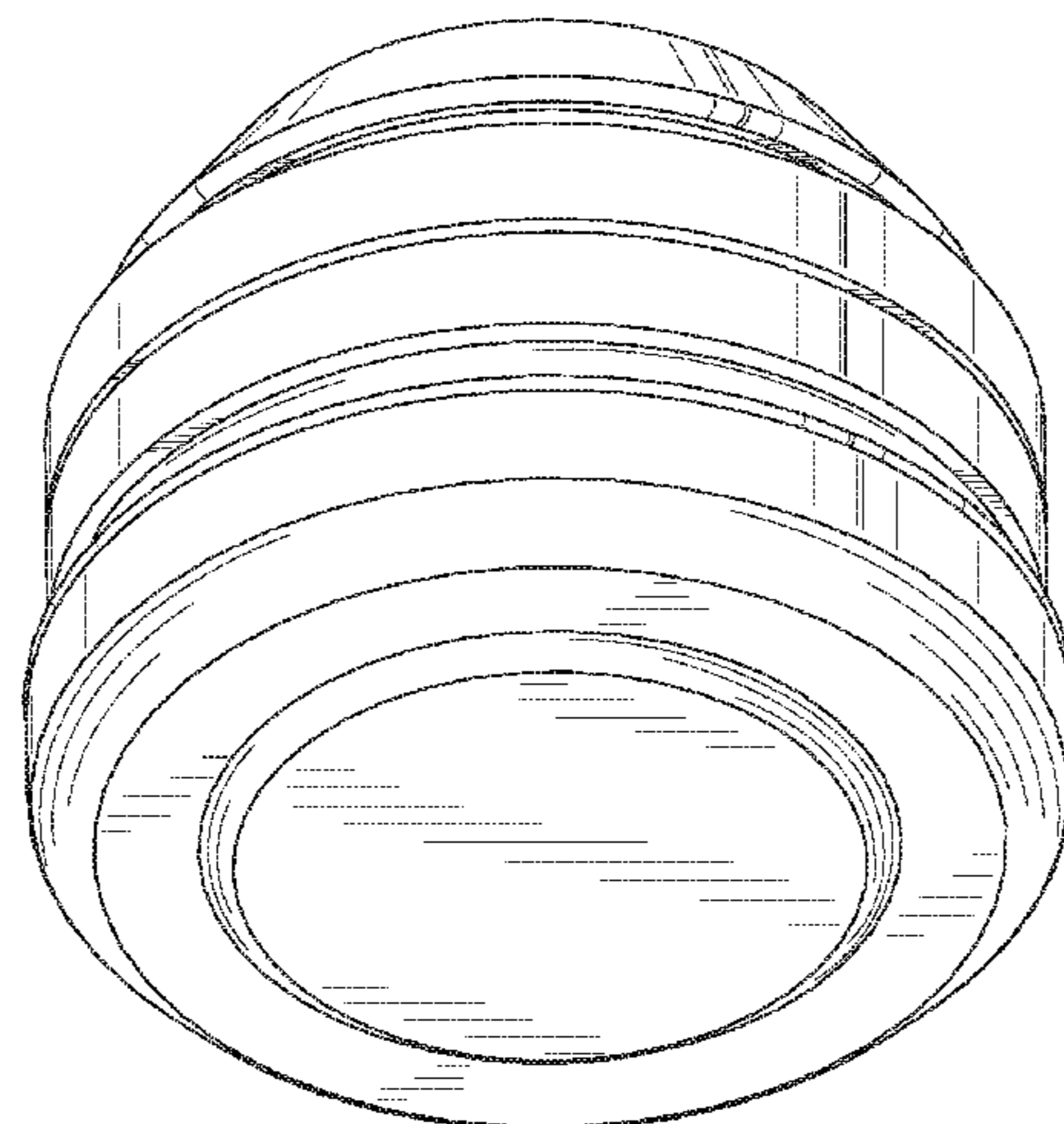
(57) **CLAIM**

The ornamental design for a ceiling fan motor housing, as  
shown and described.

**DESCRIPTION**

FIG. 1 is a top perspective view of a ceiling fan motor  
housing, shown in the environment of a ceiling fan;  
FIG. 2 is a top perspective view of the ceiling fan motor  
housing of FIG. 1, but shown without the ceiling fan  
environment;  
FIG. 3 is a bottom perspective view thereof;  
FIG. 4 is a top view thereof;  
FIG. 5 is a bottom view thereof; and,  
FIG. 6 is a side view thereof.  
The broken lines shown in FIG. 1 illustrate environmental  
structure, and the broken lines in the remaining views  
illustrate portions of the ceiling fan motor housing. None of  
the broken lines form part of the claimed design.

**1 Claim, 6 Drawing Sheets**





(56)

## References Cited

## U.S. PATENT DOCUMENTS

D389,908 S	1/1998	Dolan	
5,947,436 A *	9/1999	Bucher	..... F04D 29/601 248/27.1
D421,113 S *	2/2000	Zuege	..... D23/377
D453,216 S	1/2002	Gajewski	
D484,964 S *	1/2004	Young	..... D23/377
D508,934 S *	8/2005	Nagai	..... D16/203
D532,510 S	11/2006	Pickett	
7,210,910 B1	5/2007	Parker et al.	
D562,491 S *	2/2008	DiCola	..... D26/85
D567,434 S *	4/2008	Itiravivong	..... D26/142
D575,900 S *	8/2008	Summerford	..... D26/128
7,592,702 B2	9/2009	Lewis et al.	
7,665,967 B1	2/2010	Parker et al.	
D627,456 S	11/2010	Glasbrenner	
D627,873 S	11/2010	Pan	
D627,874 S	11/2010	Pan	
D628,688 S	12/2010	Pan	
D632,381 S	2/2011	Davenport et al.	
D632,384 S	2/2011	Pan	
D652,537 S *	1/2012	Wada	..... D26/2
D705,970 S	5/2014	Ertze	
D707,336 S	6/2014	Pan	
D715,917 S	10/2014	Hidalgo	
D744,634 S	12/2015	Wang	
D751,187 S	3/2016	Dolan	
D771,794 S *	11/2016	Wang	..... D23/411
D785,848 S *	5/2017	Couture	..... D26/89
D795,411 S *	8/2017	Wang	..... D23/377
D799,660 S *	10/2017	Jones	..... D23/377
D799,682 S *	10/2017	Wang	..... D23/411
D800,290 S *	10/2017	Searle	..... D23/377
D804,010 S *	11/2017	Guthrie	..... D23/377
D804,629 S *	12/2017	McRoberts	..... D23/377
D804,630 S *	12/2017	Holmes	..... D23/377
D804,639 S *	12/2017	Guthrie	..... D23/377

## OTHER PUBLICATIONS

[http://www.homedepot.com/p/Westinghouse-Industrial-56-in-Brushed-Nickel-Ceiling-Fan-7861400/202759709?MERCH=REC\\_-PIPHorizontal1\\_rr\\_-205791277\\_-202759709\\_-N](http://www.homedepot.com/p/Westinghouse-Industrial-56-in-Brushed-Nickel-Ceiling-Fan-7861400/202759709?MERCH=REC_-PIPHorizontal1_rr_-205791277_-202759709_-N), Westinghouse Industrial 56 in. Brushed Nickel Ceiling Fan, Model # 7861400, accessed Feb. 4, 2016.

[http://www.cgglobal.com/frontend/cp\\_product.aspx?id=JiFIOQlrp7g=&catid%20=0FwOFC0udGs](http://www.cgglobal.com/frontend/cp_product.aspx?id=JiFIOQlrp7g=&catid%20=0FwOFC0udGs), Crompton Greaves Mountainbreeze Deco, accessed Feb. 4, 2016.

<http://www.kingoffans.com/#/products/ceilingFans>, King of Fan Industrial Model # 92856, accessed Feb. 4, 2016.

<http://www.homedepot.com/p/Hampton-Bay-Industrial-60-in-Brushed-Steel-Indoor-Energy-Star-Ceiling-Fan-52869/202670136>, Hampton Bay Model # 52869 Internet # 202670136 Store SKU # 434940 Industrial 60 in. Brushed Steel Indoor Energy Star Ceiling Fan, accessed Feb. 4, 2016.

[http://www.lowes.com/pd\\_698417-82939-40764\\_1z0vgaxZ1z140v4\\_?productId=999945836&pl=1](http://www.lowes.com/pd_698417-82939-40764_1z0vgaxZ1z140v4_?productId=999945836&pl=1), Harbor Breeze 48-in Brushed Nickel Downrod or Close Mount Indoor Ceiling Fan with Light Kit (3-Blade) Item #: 698417 | Model #: 40764, accessed Feb. 4, 2016.

<http://www.minkagroup.net/minka-aire/products>, Minka Aire Java F753-BNW Java, accessed Feb. 4, 2016.

<http://www.homedepot.com/p/Hampton-Bay-Kemper-II-52-in-Liquid-Nickel-Ceiling-Fan-AL663A-LN/203245520>, Hampton Bay Model # AL663A-LN Internet # 203245520 Kemper II 52 in. Liquid Nickel Ceiling Fan, accessed Feb. 4, 2016.

<http://ceilingfans.emerson.com/shop/en/fan/fans-s-emerson-fans/fans-s-contemporary/loft-fan-p-cf165>, Emerson Loft SKU: CF765WW, accessed Feb. 4, 2016.

<http://ceilingfans.emerson.com/shop/en/fan/fans-s-emerson-fans/fans-s-pro-series/56-industrial-fan-p-hf956>, Emerson 56" Industrial SKU: HF956BS, accessed Feb. 4, 2016.

<http://www.montecarlofans.com/44073/60in-Empire---Brushed-Steel-8EER60BSD.html>, 60" Empire—Brushed Steel Product #: 8EER60BSD, accessed Feb. 4, 2016.

<http://www.craftmade.com/Craftmade-VE58FB3-Flat-Black-Ceiling-Fan.HTM>, Craftmade Velocity 58" Ceiling Fan Blades Included in Flat Black Product #: VE58FB3 (647881105303-168162), accessed Feb. 4, 2016.

<http://www.fanimation.com/products/index.php/catalogsearch/result?q=ascension>, Ascension SKU: FP6717 Categories: Fans, Indoor, Damp Rated, accessed Feb. 4, 2016.

<http://www.kichler.com/products/product/56-inch-industrial-fan-sbk-337015sbk.aspx>, Industrial Collection 56 Inch Industrial Fan SBK 337015SBK (Satin Black), accessed Feb. 4, 2016.

<http://www.hunterpacific.com.au/typhoonM2.php>, Typhoon Mach 2, accessed Feb. 4, 2016.

<http://www.kichler.com/products/product/48-in-pc-blade-for-arkwright-ap-370029ap.aspx>, 370029AP (Antique Pewter), accessed Feb. 4, 2016.

<http://www.minkagroup.net/minka-aire/products>, F828-ORB Symbio SelectDescription Details Manual & Specs 56" Ceiling Fan in Brushed Nickel Finish with Medium Maple Blades with Tea Stain Glass, accessed Feb. 4, 2016.

<http://www.minkagroup.net/minka-aire/products>, F531-L-BN Flyte® Select Description Details Manual & Specs 56" 3 Blades in Brushed Nickel Finish w/Birdseye Maple Blades w/ White Opal Glass, accessed Feb. 4, 2016.

<http://www.modernfan.com/products/torsion.html>, Cooly by design, Torsion, accessed Feb. 4, 2016.

<http://www.hunterfan.com/Ceiling-Fans/Stockbridge?ModelNumber=55042>, Stockbridge® —70" Ceiling Fan 55042 New Bronze Finish 5 Walnut / Medium Oak Reversible Plywood blades included, accessed Feb. 4, 2016.

Canarm LTD Calibre BPT 48 Frosted Glass 1 Bulb Light Kit, date first available Jul. 10, 2009, amazon.com, site visited Jun. 1, 2017, Copyright © 1994-2017, Available from Internet, [https://www.amazon.com/dp/B002EVPNWI/ref=psdc\\_404433011\\_t3\\_B0045CVL6G](https://www.amazon.com/dp/B002EVPNWI/ref=psdc_404433011_t3_B0045CVL6G).

Fanimation FP4640OB Zonix Wet Location Ceiling Fan, date first available Feb. 15, 2010, amazon.com, site visited Jun. 1, 2017, Copyright © 1994-2017, Available from Internet, [https://www.amazon.com/Fanimation-FP4640OB-Location-Ceiling-Rubbed/dp/B004SE1XSW/ref=sr\\_1\\_3?ie=UTF8&qid=1496350008&sr=8-3&keywords=fanimation+zonix](https://www.amazon.com/Fanimation-FP4640OB-Location-Ceiling-Rubbed/dp/B004SE1XSW/ref=sr_1_3?ie=UTF8&qid=1496350008&sr=8-3&keywords=fanimation+zonix).

<http://www.homedepot.com/p/Hampton-Bay-Kemper-II-52-in-Liquid-Nickel-Ceiling-Fan-AL663A-LN/203245520>, Hampton Bay Model # AL663A-LN Internet # 203245520 Kemper II 52 in. Liquid Nickel Ceiling Fan, accessed Aug. 1, 2017.

<http://www.bigassfans.com/products/essence/>, Bigass Fans, Gearless Direct-Drive Motor for Silent Operation, accessed Feb. 4, 2016.

\* cited by examiner

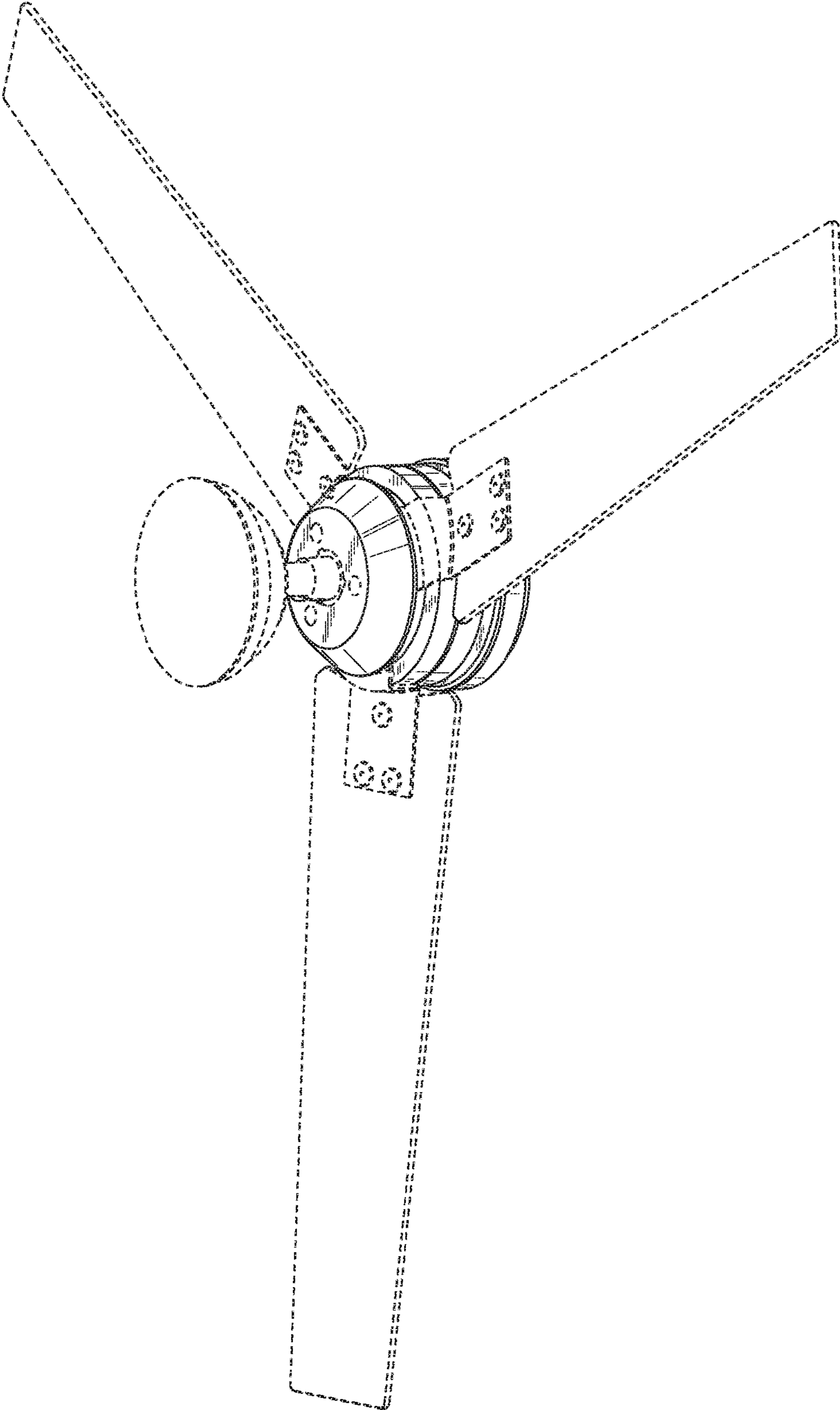


FIG. 1

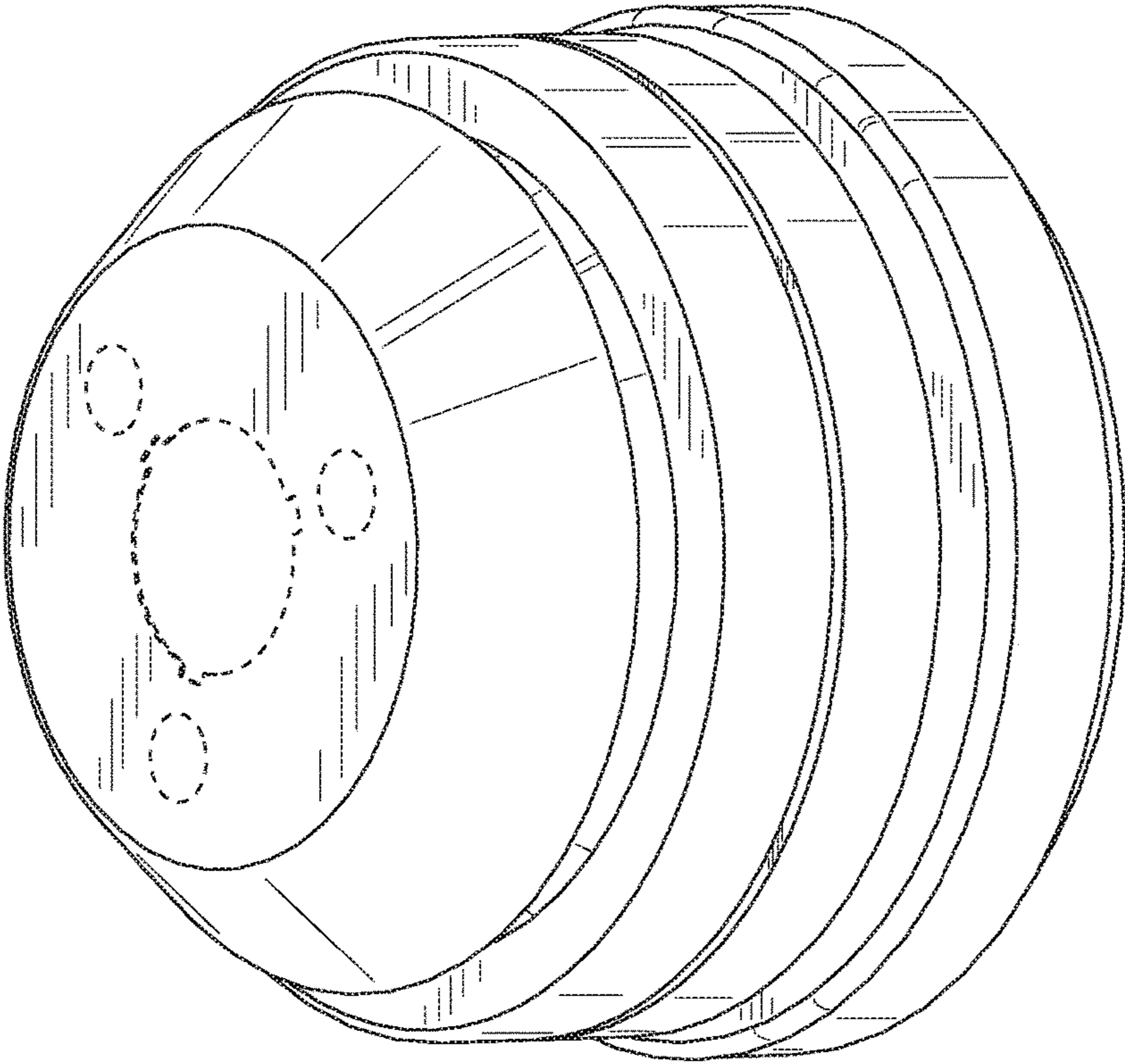


FIG. 2



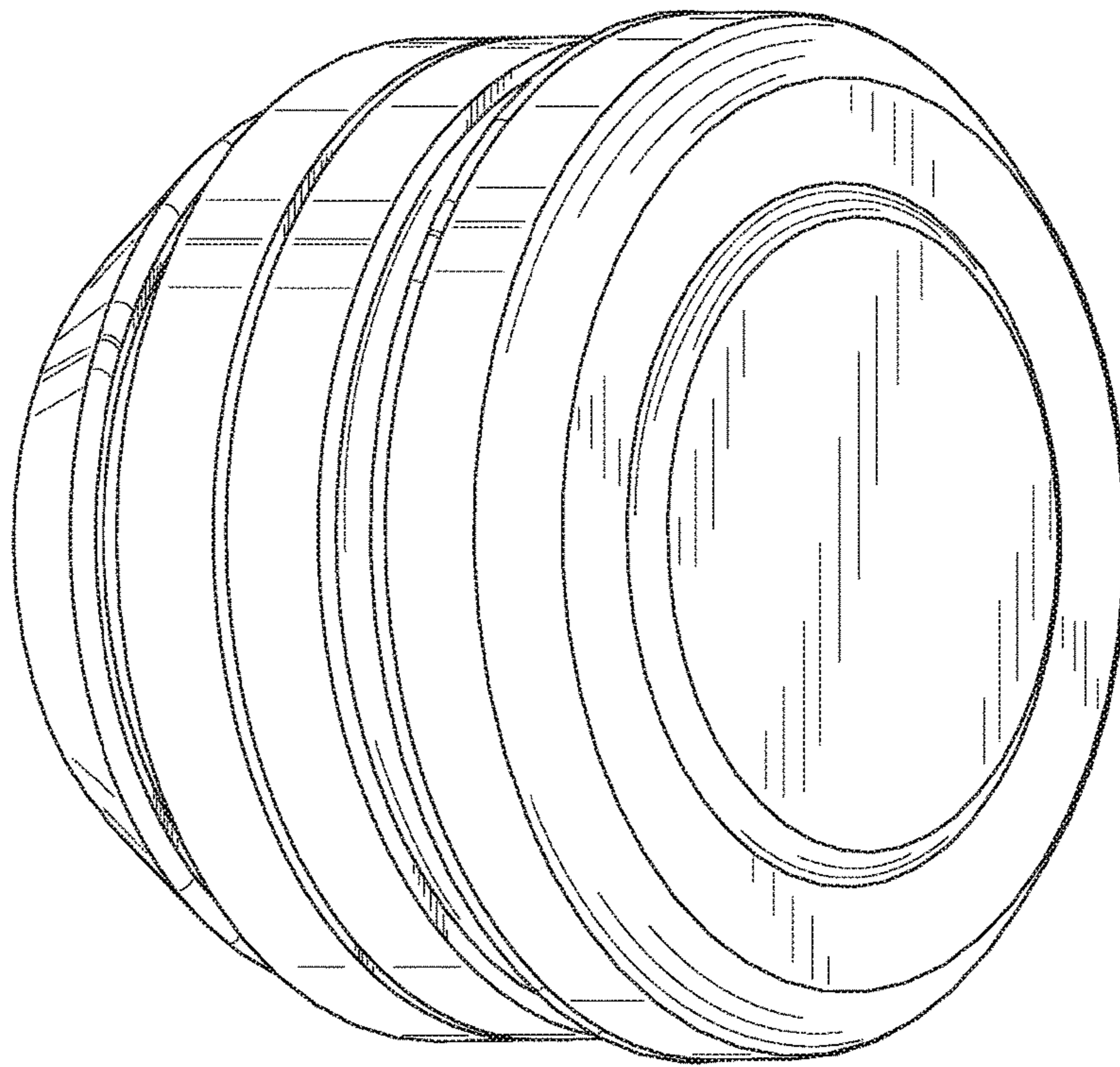


FIG. 3

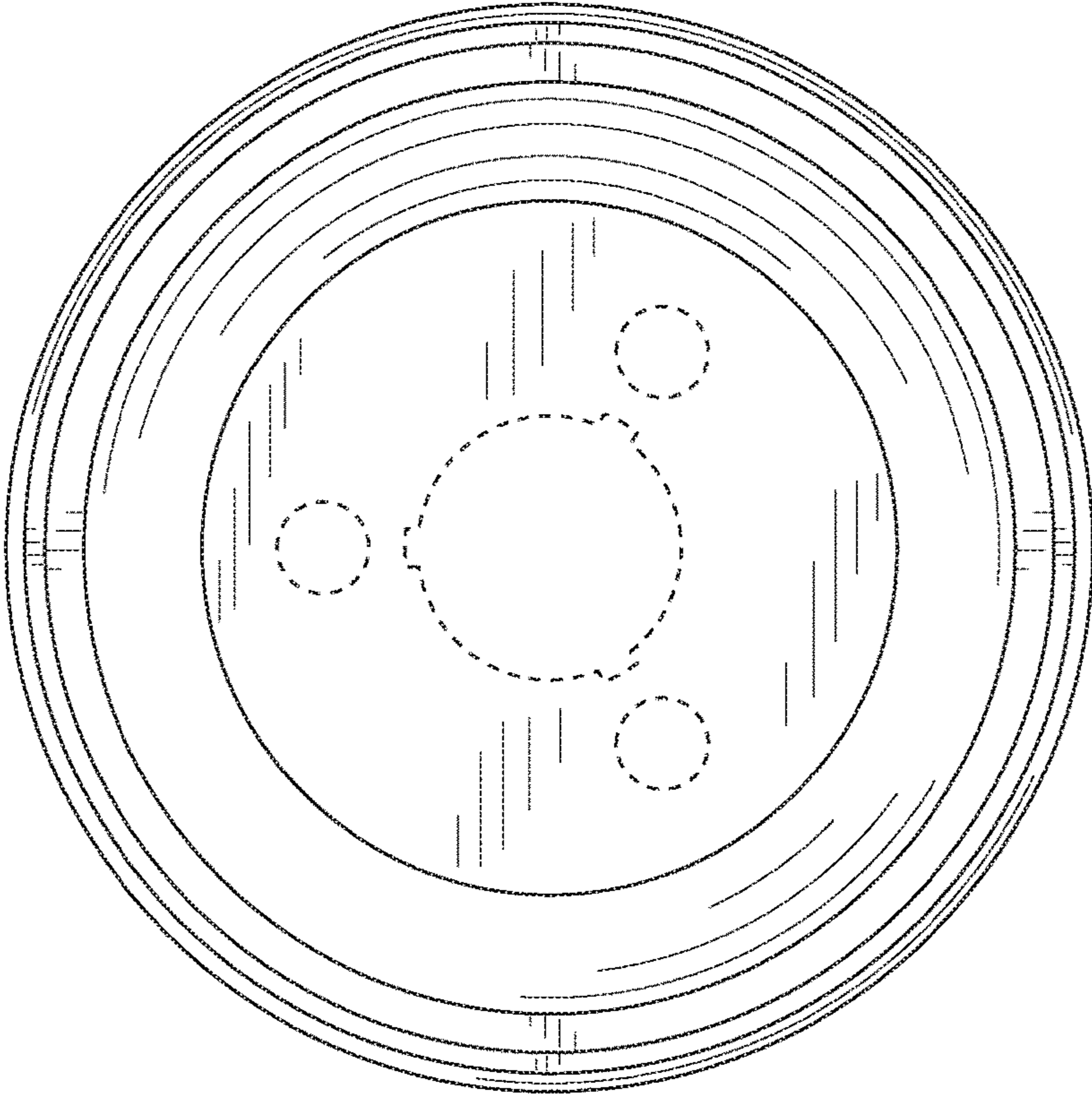
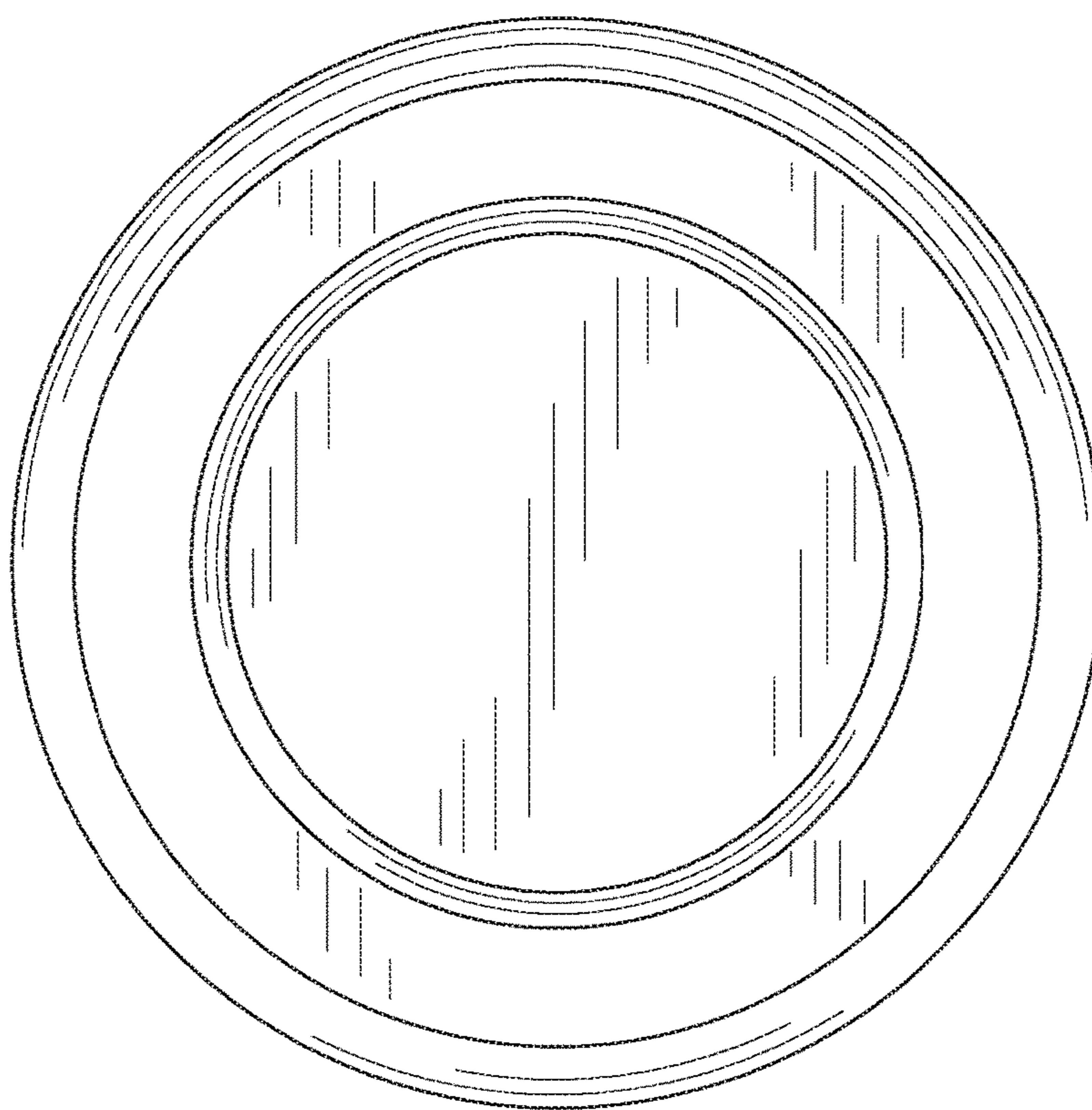


FIG. 4



**FIG. 5**

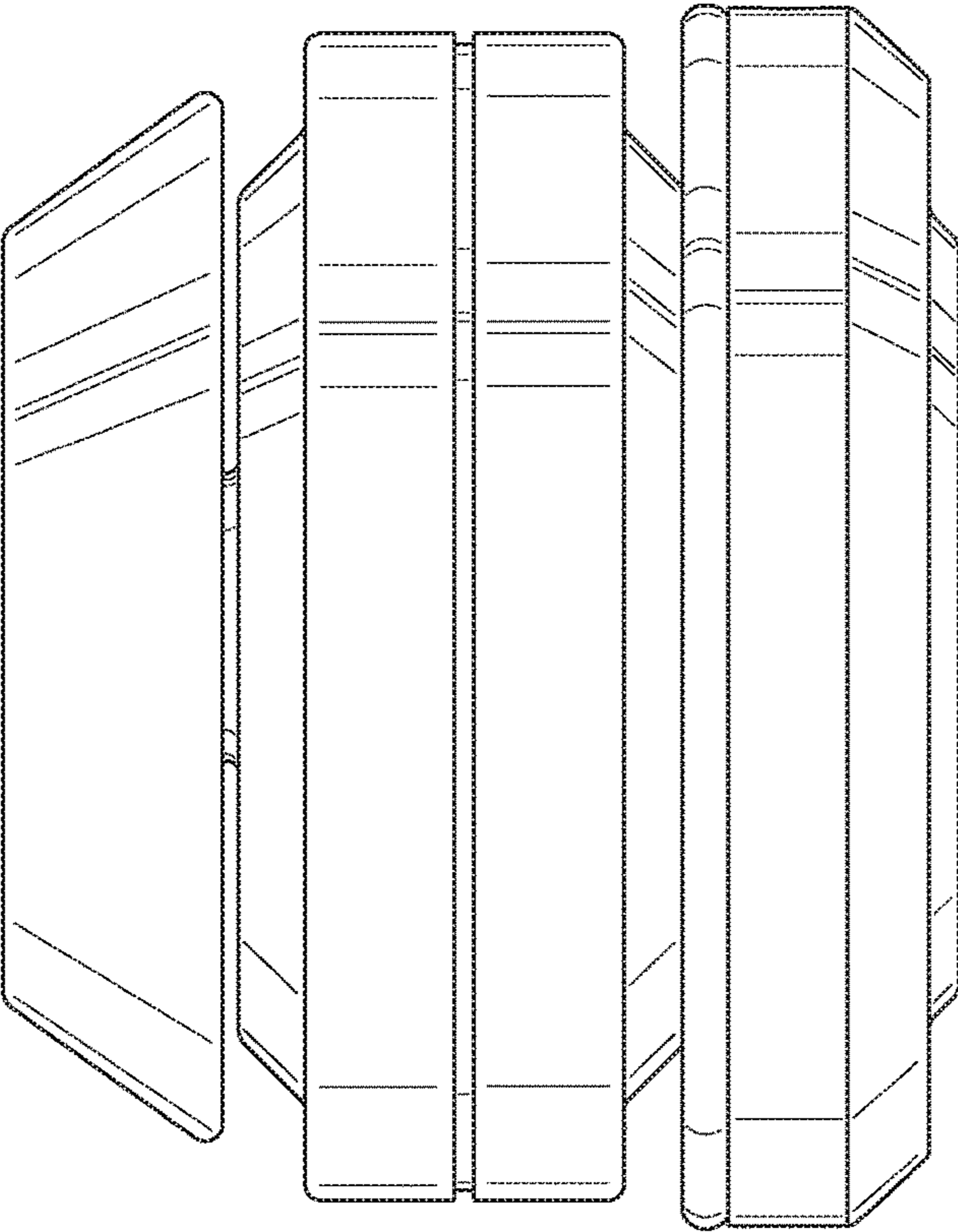


FIG. 6