



US00D826394S

(12) **United States Design Patent**
Biancuzzo

(10) **Patent No.:** **US D826,394 S**

(45) **Date of Patent:** **** Aug. 21, 2018**

(54) **CEILING FAN HOUSING WITH LIGHT KIT**

(71) Applicant: **YOUNGO LIMITED**, Central (HK)

(72) Inventor: **Francisco Biancuzzo**, Fort Lauderdale, FL (US)

(73) Assignee: **Youngo Limited**, Central (HK)

(**) Term: **15 Years**

(21) Appl. No.: **29/597,384**

(22) Filed: **Mar. 16, 2017**

(51) **LOC (11) Cl.** **23-04**

(52) **U.S. Cl.**
USPC **D23/411**; D26/59

(58) **Field of Classification Search**
USPC D23/370, 377, 379, 385, 411; D26/59
CPC F04D 25/088; F21V 33/0096
See application file for complete search history.

(56) **References Cited**

U.S. PATENT DOCUMENTS

D485,897 S *	1/2004	Tai	D23/377
7,080,813 B1 *	7/2006	Frampton	F04D 25/088 248/342
D547,436 S *	7/2007	Shurtleff	D23/411
D547,483 S *	7/2007	Pickett	D26/59
D603,955 S *	11/2009	Patton	D23/411
D708,315 S *	7/2014	Wang	D23/377
D744,082 S *	11/2015	Wang	D23/411
D744,634 S *	12/2015	Wang	D23/411
D804,630 S *	12/2017	Holmes	D23/377

D810,270 S *	2/2018	Wang	D23/411
D810,917 S *	2/2018	Holmes	D23/377
2016/0131152 A1 *	5/2016	Wang	F04D 29/34 416/214 R

* cited by examiner

Primary Examiner — Janice Hallmark

(74) *Attorney, Agent, or Firm* — Muncy, Geissler, Olds & Lowe, P.C.

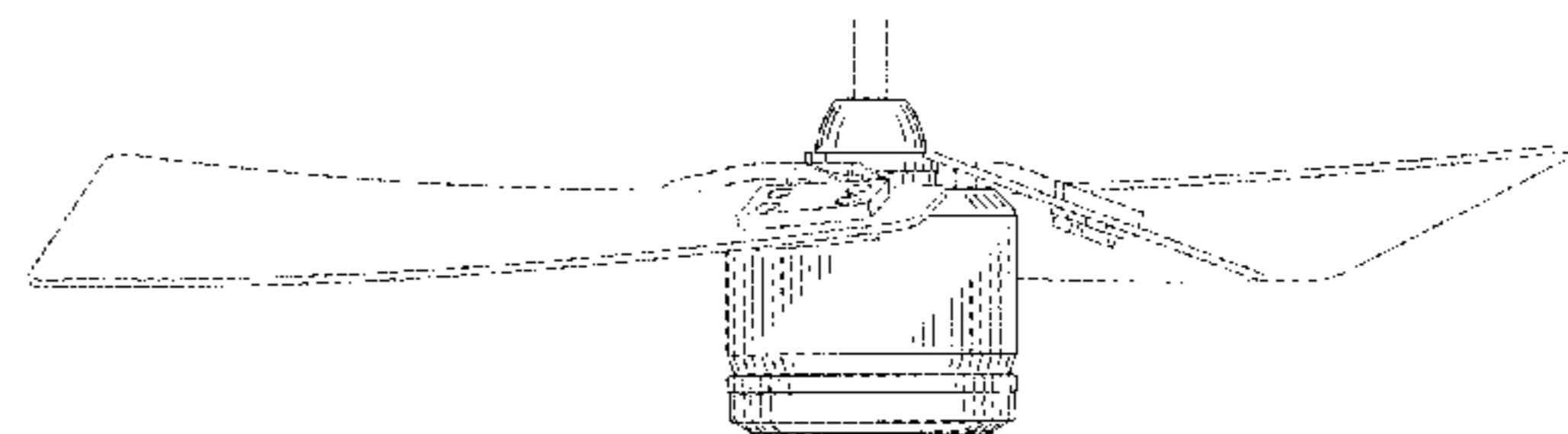
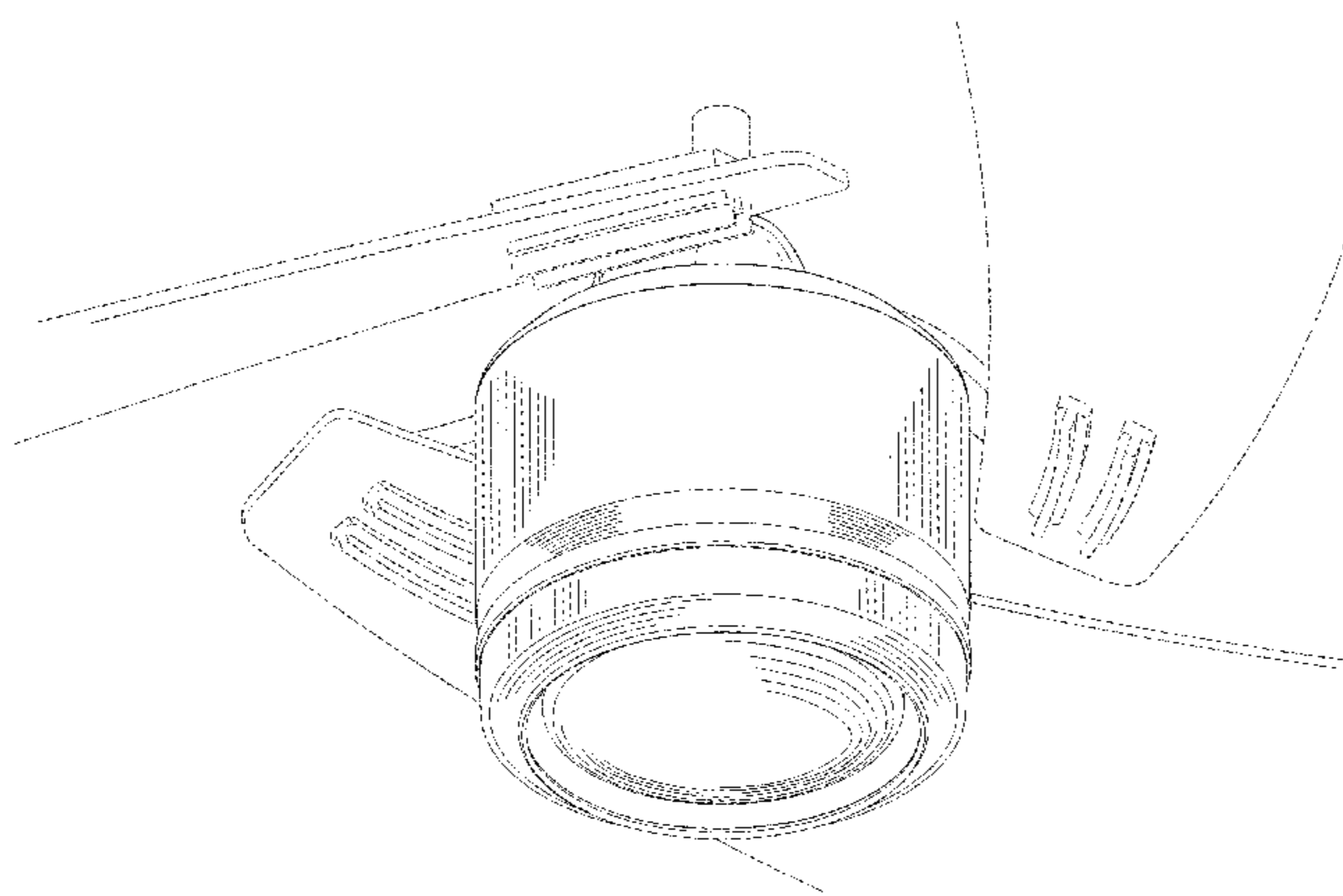
(57) **CLAIM**

The ornamental design for a ceiling fan housing with light kit, as shown and described.

DESCRIPTION

FIG. 1 is a perspective view of a ceiling fan housing with light kit in accordance with my design;
 FIG. 2 is an enlarged perspective view of the ceiling fan housing with light kit in accordance with my design;
 FIG. 3 is a front side view of the ceiling fan housing with light kit in accordance with my design;
 FIG. 4 is a rear side view of the ceiling fan housing with light kit in accordance with my design;
 FIG. 5 is a left side view of the ceiling fan housing with light kit in accordance with my design;
 FIG. 6 is a right side view of the ceiling fan housing with light kit in accordance with my design;
 FIG. 7 is a top plan view of the ceiling fan housing with light kit in accordance with my design; and,
 FIG. 8 is an enlarged bottom plan view of the ceiling fan housing with light kit in accordance with my design.
 The broken lines showing structural features are for illustrative purposes only and form no part of the claimed design.

1 Claim, 8 Drawing Sheets



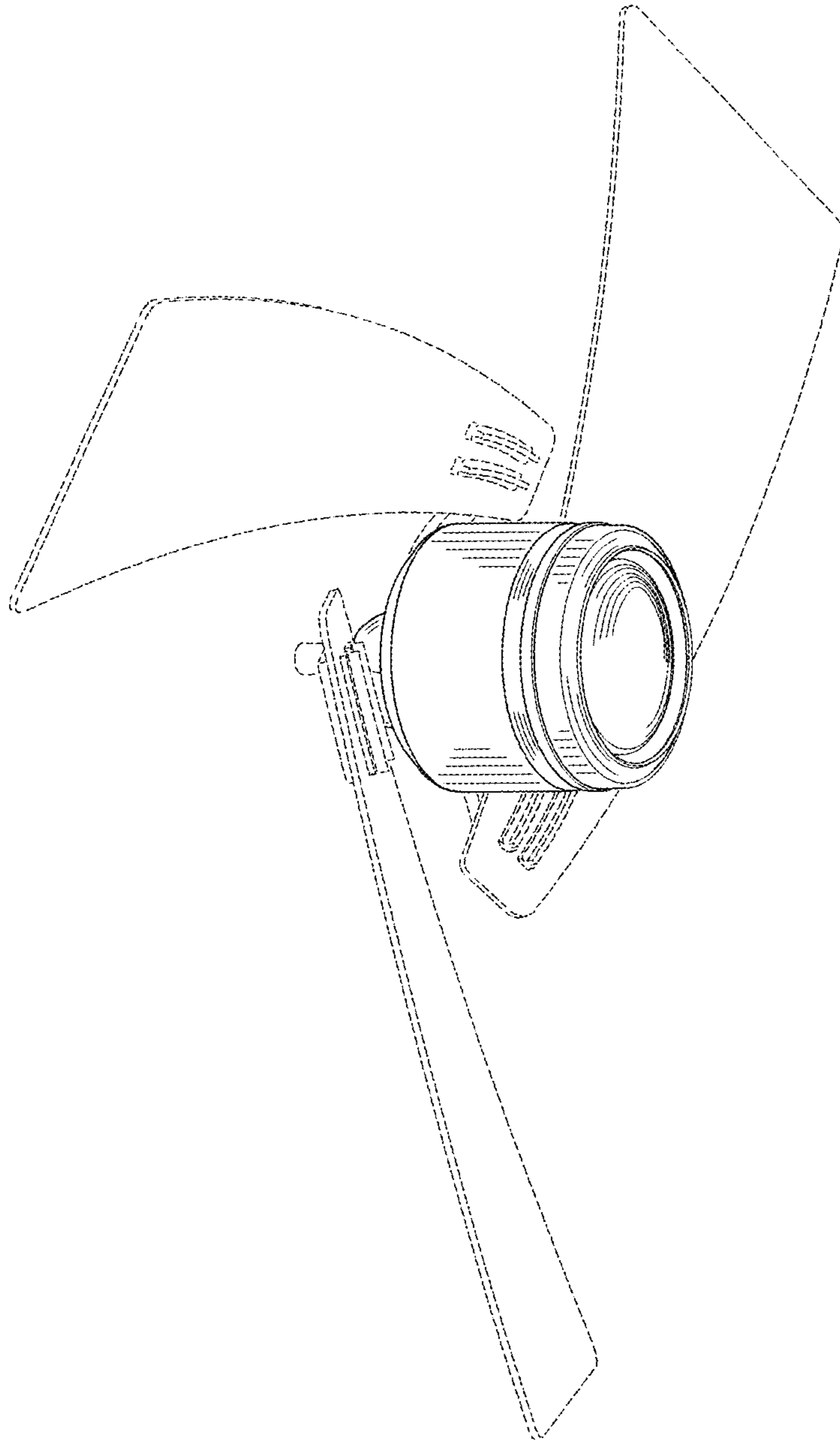


FIG. 1

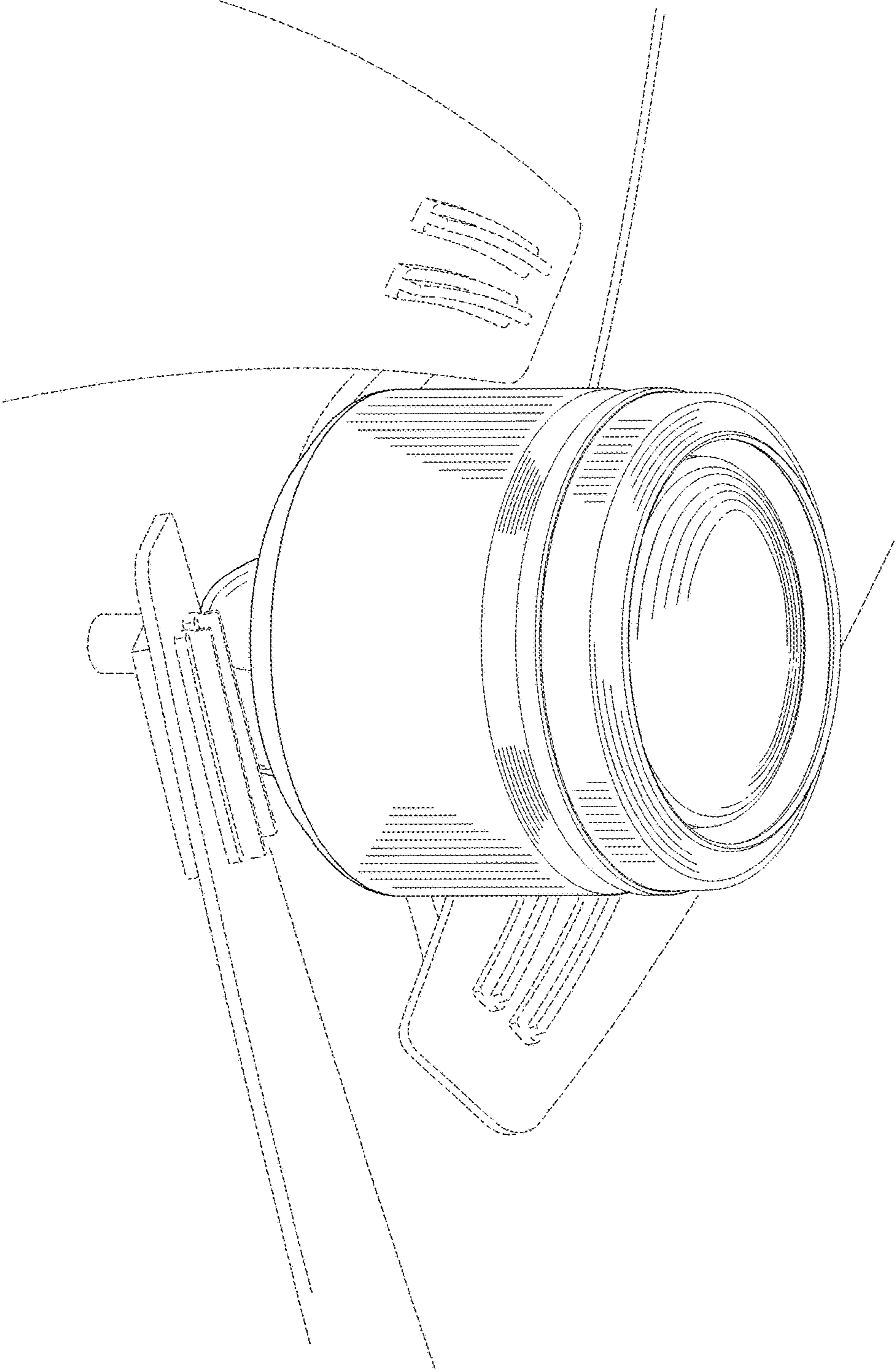


FIG. 2

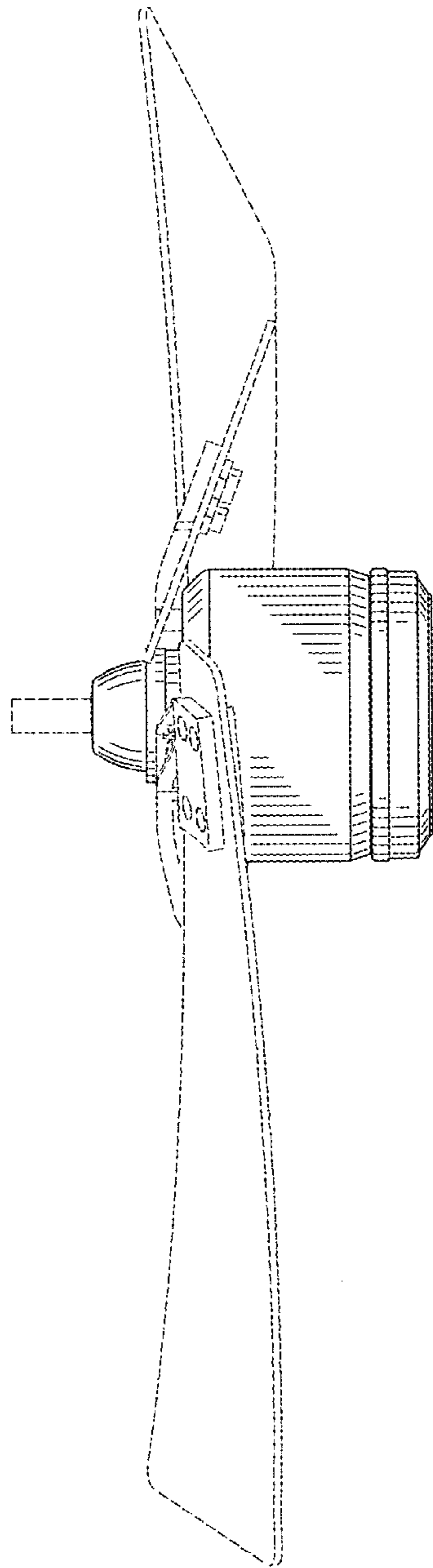


FIG. 3

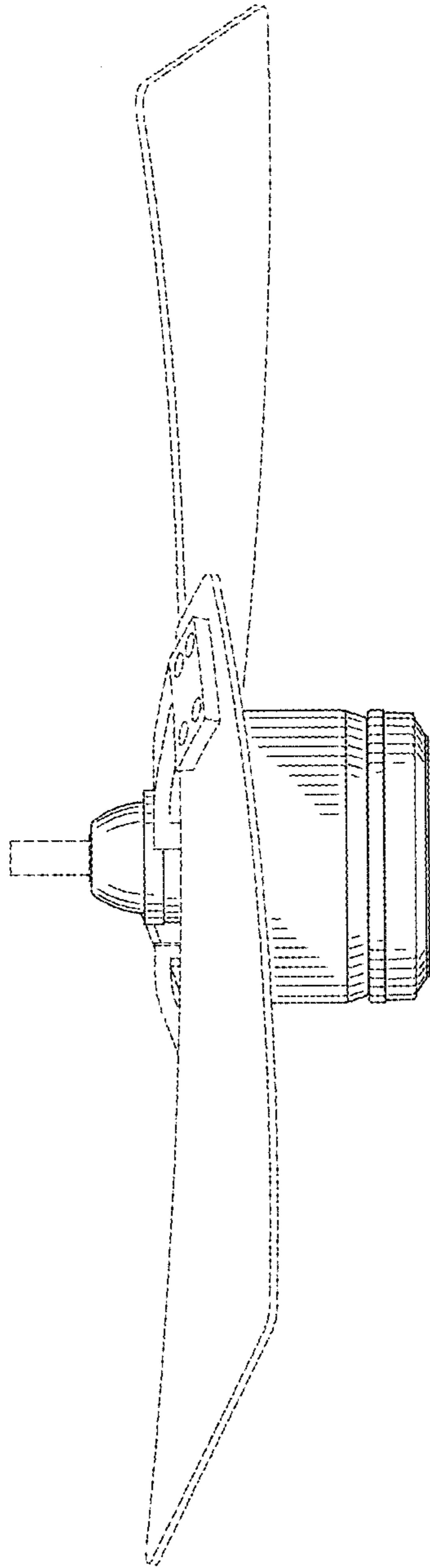


FIG. 4

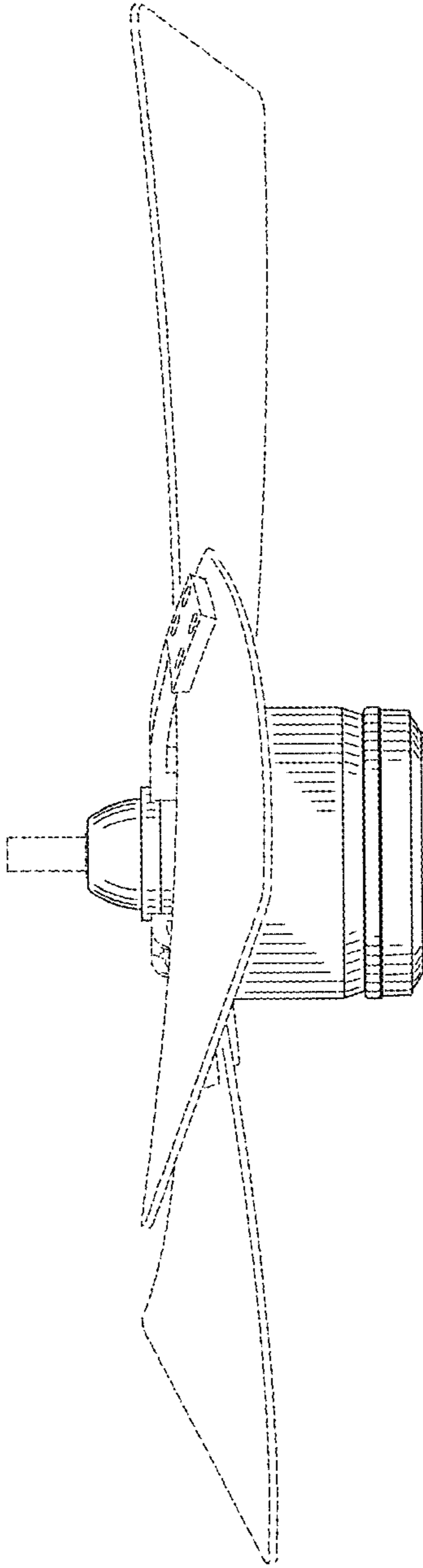


FIG. 5

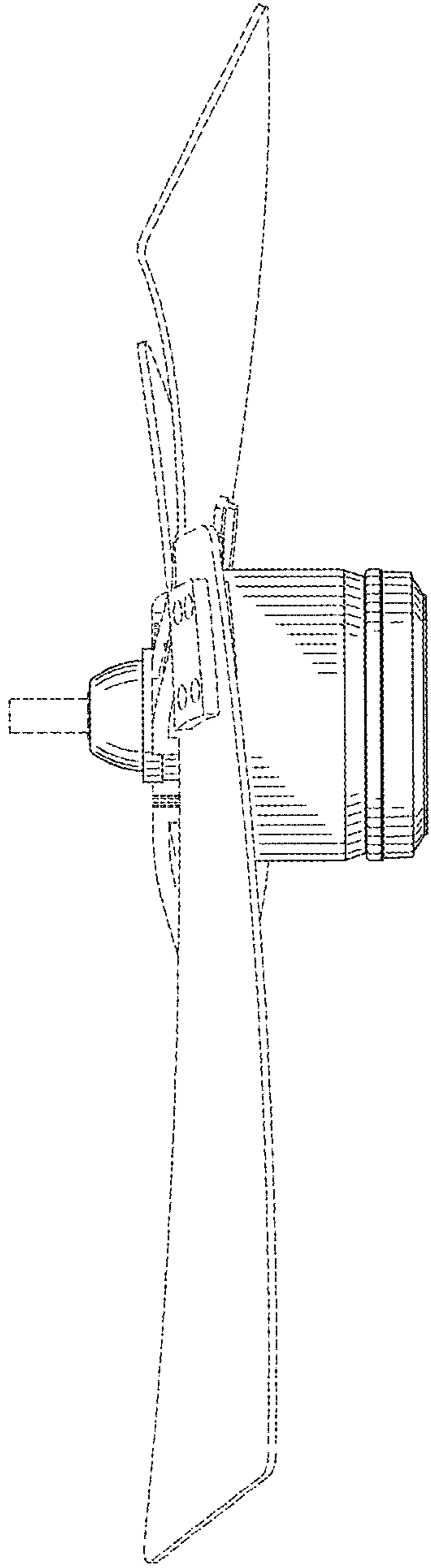


FIG. 6

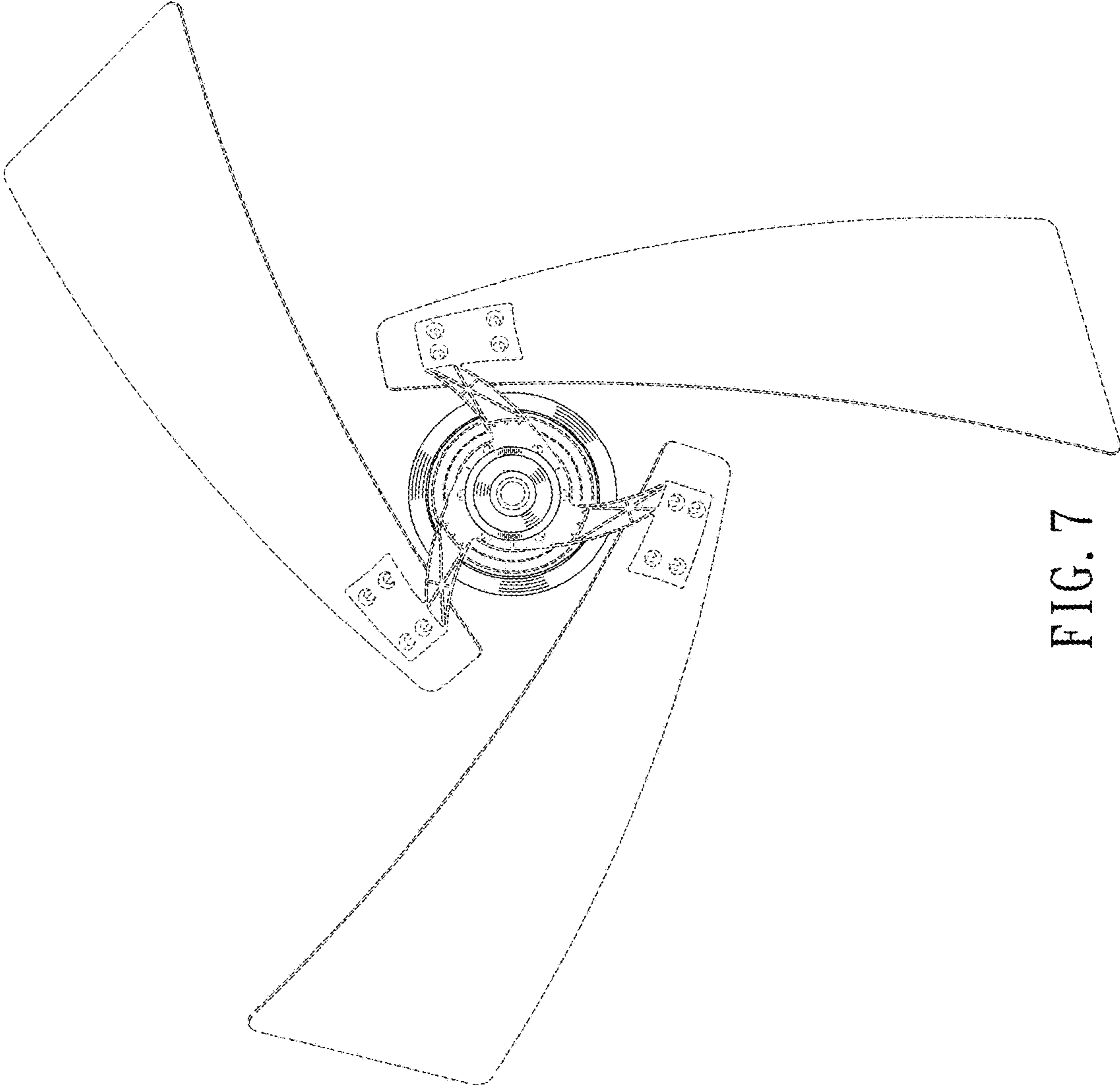


FIG. 7

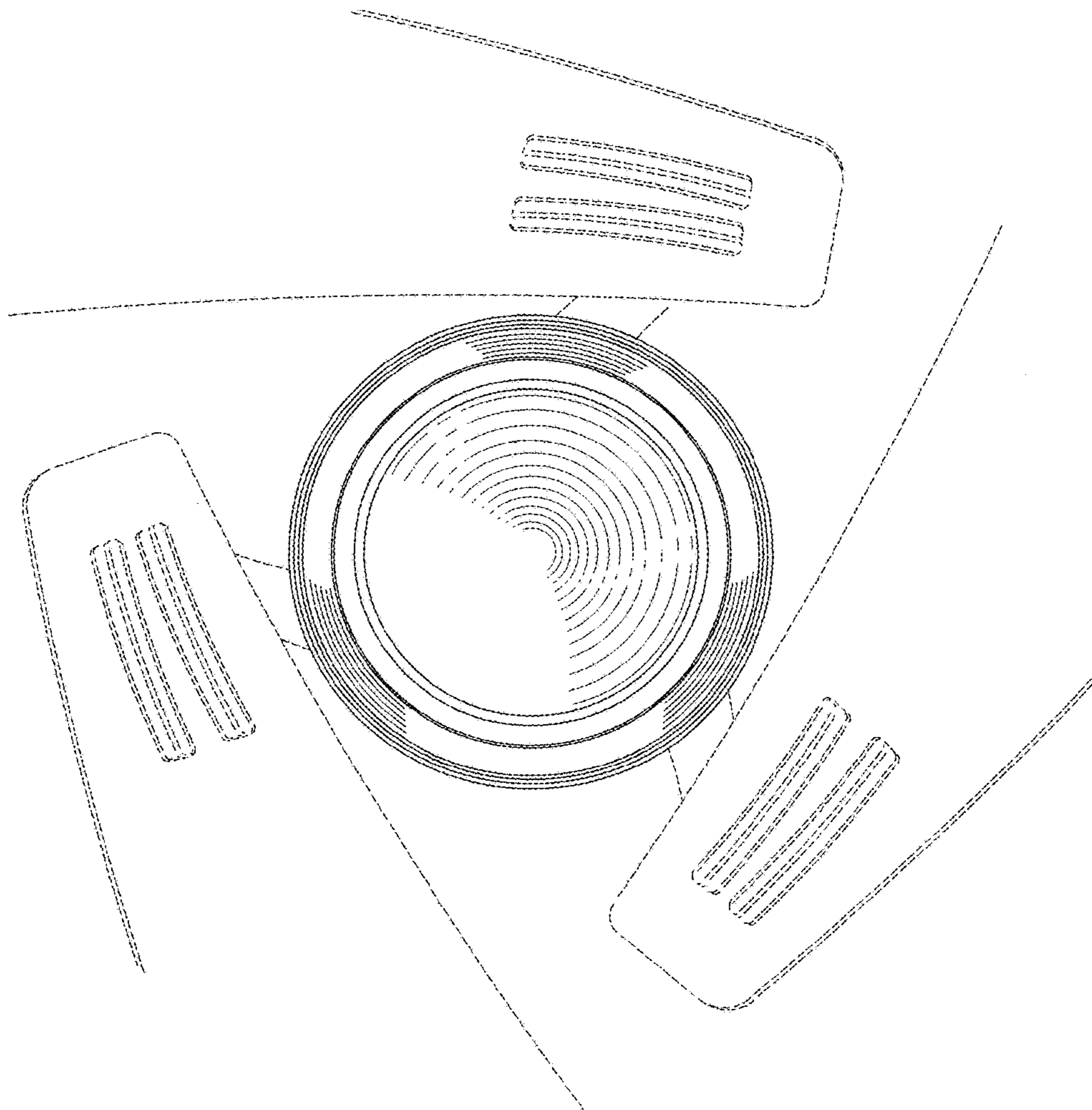


FIG. 8