



US00D826392S

(12) **United States Design Patent** (10) **Patent No.:** **US D826,392 S**
Sinur et al. (45) **Date of Patent:** **** Aug. 21, 2018**

- (54) **VENT HOOD**
- (71) Applicant: **Broan-NuTone LLC**, Hartford, WI (US)
- (72) Inventors: **Richard R. Sinur**, West Bend, WI (US); **Brian R. Wellnitz**, Grafton, WI (US); **Benjamin Thorpe Puffer**, Hartford, WI (US); **Benoit Gauthier**, St-Cyrille (CA); **Daniel Bathalon**, Drummondville (CA)
- (73) Assignee: **Broan-NuTone LLC**, Hartford, WI (US)
- (**) Term: **15 Years**
- (21) Appl. No.: **29/529,958**
- (22) Filed: **Jun. 11, 2015**
- (51) **LOC (11) Cl.** **23-04**
- (52) **U.S. Cl.**
USPC **D23/372**
- (58) **Field of Classification Search**
USPC D23/370, 371, 372, 411
CPC ... F24C 15/2042; F24C 15/2035; F24C 15/20
See application file for complete search history.

- D470,482 S 2/2003 Ikeda
D474,299 S 5/2003 Lecluze
D475,131 S 5/2003 Pilger
D476,073 S 6/2003 Bourgeois
D480,712 S 10/2003 Noro
D480,791 S 10/2003 Phillips
D481,822 S 11/2003 Wang
D482,350 S 11/2003 Noro et al.
D482,778 S 11/2003 Shapiro
D490,147 S 5/2004 Miura
D490,509 S 5/2004 Negrao et al.
D493,447 S 7/2004 Noro et al.
D493,516 S 7/2004 Harbutt et al.

(Continued)

OTHER PUBLICATIONS

“Canadian Application Serial No. 165,355, Office Action dated Feb. 15, 2016”, 2 pgs.

(Continued)

Primary Examiner — Janice Hallmark
(74) *Attorney, Agent, or Firm* — Barnes and Thornburg LLP

(57) **CLAIM**

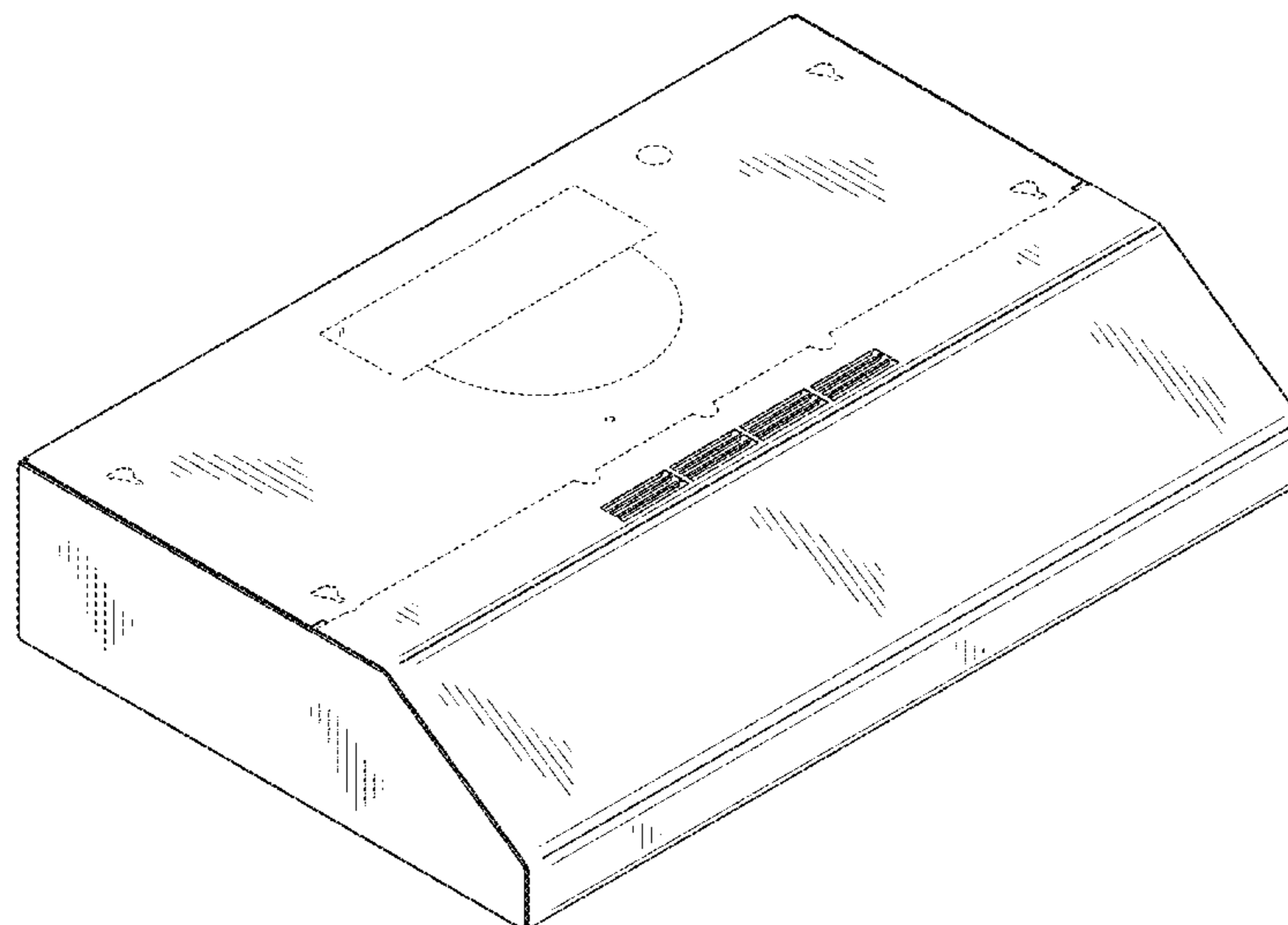
The ornamental design for a vent hood, as shown and described.

DESCRIPTION

FIG. 1 is a perspective view of a vent hood showing our new design;
FIG. 2 is a front view thereof;
FIG. 3 is a back view thereof;
FIG. 4 is a side view, the opposite side is a mirror image, thereof;
FIG. 5 is a top view thereof; and,
FIG. 6 is a bottom view thereof.
The broken lines depict environmental subject matter only and form no part of the claimed design.

1 Claim, 5 Drawing Sheets

- (56) **References Cited**
- U.S. PATENT DOCUMENTS
- 5,363,837 A * 11/1994 Jang F24C 15/20
126/299 D
- 6,284,011 B1 * 9/2001 Chiang B01D 46/0005
55/471
- D461,235 S 8/2002 Arlotta et al.
D461,995 S 8/2002 Massaloux et al.
D464,418 S 10/2002 Goncalves et al.
D464,718 S 10/2002 Wilson
D465,565 S 11/2002 Twito
D469,172 S 1/2003 Warren et al.
D470,233 S 2/2003 Sarkinen et al.



(56)

References Cited

U.S. PATENT DOCUMENTS

D493,907 S	8/2004	Benensohn	D581,517 S	11/2008	Koury et al.
D496,487 S	9/2004	Rhee	D584,393 S	1/2009	Miyake et al.
D496,992 S	10/2004	Lafond	D584,394 S	1/2009	Miyake et al.
D499,505 S	12/2004	Benensohn	D585,129 S	1/2009	Huang
D503,689 S	4/2005	Saucier	D587,797 S	3/2009	Blanchard
D510,151 S	9/2005	Rashidi	D588,257 S	3/2009	Reedy
D510,432 S	10/2005	Bargiel	D588,688 S	3/2009	Lablaine
D510,996 S	10/2005	Vladika	D589,605 S	3/2009	Reedy et al.
D511,379 S	11/2005	Penlesky et al.	D595,402 S	6/2009	Miyake et al.
D512,503 S	12/2005	Roland	D595,830 S	7/2009	Deng
D513,072 S	12/2005	Berg	D601,281 S	9/2009	Howard et al.
D514,221 S	1/2006	Vladika	D602,146 S	10/2009	Olesen
D514,732 S	2/2006	Benensohn	D602,193 S	10/2009	Soderman et al.
D521,145 S	5/2006	Craw et al.	D604,834 S	11/2009	Ungar
D530,808 S	10/2006	Sinur et al.	D606,696 S	12/2009	Chen et al.
D531,301 S	10/2006	Sinur et al.	D607,600 S	1/2010	Keith
D532,095 S	11/2006	Calkins	D609,321 S	2/2010	Tomasulo
D532,247 S	11/2006	Copeland	D609,803 S	2/2010	Ungar
D533,956 S	12/2006	Vladika	D609,840 S	2/2010	Tang
D534,301 S	12/2006	Roland	D617,441 S	6/2010	Koury et al.
D535,431 S	1/2007	Roland	D617,889 S	6/2010	Miyake
D535,433 S	1/2007	Craw et al.	D618,782 S	6/2010	Zakula et al.
D535,434 S	1/2007	Fischer et al.	D621,491 S	8/2010	Tsuji
D536,778 S	2/2007	O'Hagin	D622,033 S	8/2010	Lambetz
D537,511 S	2/2007	Nagahori	D628,737 S	12/2010	Van Den Akker
D538,422 S	3/2007	Hooijmaaijers	D629,561 S	12/2010	Kim et al.
D539,404 S	3/2007	Nagahori	D631,144 S	1/2011	Tsuji
D539,887 S	4/2007	Kato et al.	D631,188 S	1/2011	Lovegrove
D539,888 S	4/2007	Tsuji	D632,380 S	2/2011	Kim et al.
D541,405 S	4/2007	Snyder	D635,238 S	3/2011	Zakula et al.
D541,689 S	5/2007	Meyers et al.	D636,482 S	4/2011	LeMay
D541,927 S	5/2007	Yamanaka et al.	D636,611 S	4/2011	Duma
D543,270 S	5/2007	Miura et al.	D638,925 S	5/2011	Charlebois et al.
D544,618 S	6/2007	Coushaine	D642,667 S	8/2011	Irwin
D545,487 S	6/2007	Bynum	D646,417 S	8/2011	Wauters
D547,853 S	7/2007	Pilon et al.	D648,135 S	11/2011	Lee
D550,043 S	7/2007	Brattoli	D648,471 S	11/2011	Wauters
D550,344 S	9/2007	Weggelaar	D653,323 S	1/2012	Jacak
D550,660 S	9/2007	Noro et al.	D654,998 S	2/2012	Zakula et al.
D551,750 S	9/2007	Wefler	D655,403 S	3/2012	Zakula et al.
D553,235 S	10/2007	Herbst et al.	D655,804 S	3/2012	Platt
D553,727 S	10/2007	Kato et al.	D655,850 S	3/2012	Sabernig
D553,905 S	10/2007	Orr, Jr.	D655,855 S	3/2012	Sabernig
D555,777 S	11/2007	Aveldson	D656,264 S	3/2012	Janssen
D561,887 S	2/2008	Friedman et al.	D657,036 S	4/2012	Vetu et al.
D563,539 S	3/2008	Sinur et al.	D657,858 S	4/2012	Platt
D565,716 S	4/2008	Jacak	D658,603 S	5/2012	Egawa et al.
D565,717 S	4/2008	Jacak et al.	D658,604 S	5/2012	Egawa et al.
D565,722 S	4/2008	Hollingsworth et al.	D662,648 S	6/2012	Whiting et al.
D566,257 S	4/2008	Deng	D663,880 S	7/2012	Janssen
D566,262 S	4/2008	Zakula et al.	D663,881 S	7/2012	Janssen
D566,912 S	4/2008	Reick-Mitrisin et al.	D664,369 S	7/2012	Duma
D567,352 S	4/2008	Hollingsworth	D665,225 S	8/2012	Zakula et al.
D567,353 S	4/2008	Hollingsworth	D672,079 S	12/2012	Kong
D567,354 S	4/2008	Jacak et al.	D676,542 S *	2/2013	Sinur D23/372
D567,355 S	4/2008	Zakula et al.	D678,010 S	3/2013	Sudmalis
D567,434 S	4/2008	Itiravivong	D678,497 S	3/2013	Tom
D567,435 S	4/2008	Kim et al.	D678,995 S	3/2013	Hoshino et al.
D567,692 S	4/2008	Meyers et al.	D679,046 S	3/2013	Hoshino et al.
D567,931 S	4/2008	Hollingsworth	D681,794 S	5/2013	Lin et al.
D567,932 S	4/2008	Hollingsworth	D682,455 S	5/2013	Apetauer et al.
D567,933 S	4/2008	Hollingsworth	D685,947 S	7/2013	Pyle
D568,460 S	5/2008	Jacak et al.	D690,869 S	10/2013	Katz et al.
D569,492 S	5/2008	Zakula et al.	D694,386 S *	11/2013	Sinur D23/372
D570,465 S	6/2008	Miyake et al.	D694,387 S *	11/2013	Sinur D23/372
D571,453 S	6/2008	Hsu et al.	D694,388 S *	11/2013	Sinur D23/372
D574,478 S	8/2008	Miyake et al.	D694,389 S *	11/2013	Sinur D23/372
D575,386 S	8/2008	Jacak et al.	D694,390 S *	11/2013	Sinur D23/372
D575,387 S	8/2008	Zakula et al.	D694,391 S *	11/2013	Sinur D23/372
D575,389 S	8/2008	Lazzara	D694,392 S *	11/2013	Sinur D23/372
D577,431 S	9/2008	Miyake et al.	D701,952 S	4/2014	Hoshino et al.
D577,805 S	9/2008	Adrian et al.	D702,827 S	4/2014	Mase et al.
D578,811 S	10/2008	Gervasi	D704,318 S	5/2014	Martel
D581,508 S	11/2008	Miyake et al.	D705,409 S	5/2014	Hagiwara
D581,516 S	11/2008	Koury et al.	D705,417 S	5/2014	Lin et al.
			D706,404 S	6/2014	Tsuji
			D706,916 S	6/2014	Penlesky et al.
			D709,170 S	7/2014	Tsuji
			D709,606 S *	7/2014	Sinur D23/372

(56)

References Cited

U.S. PATENT DOCUMENTS

D710,000 S	7/2014	Moreno	
D713,952 S	9/2014	Jepson	
D716,772 S	11/2014	Cavero et al.	
D717,933 S	11/2014	McClelland et al.	
D718,086 S	11/2014	Lewis et al.	
D718,434 S	11/2014	Diamond	
D718,762 S	12/2014	Aarrestad et al.	
D720,442 S	12/2014	Kosuge	
D725,624 S	3/2015	Carney et al.	
D728,772 S	5/2015	Santeler et al.	
D730,510 S	5/2015	Schanzenbach	
D732,156 S	6/2015	Penlesky et al.	
D733,861 S	7/2015	Haaf et al.	
D733,863 S	7/2015	Funnell, II et al.	
D738,482 S	9/2015	Lin et al.	
D738,538 S	9/2015	Lillejord	
D739,928 S	9/2015	Raisanen	
D739,977 S	9/2015	Boyer et al.	
D741,463 S	10/2015	Hauville et al.	
D741,648 S	10/2015	Wahl	
D742,494 S	11/2015	Kouketsu et al.	
D743,520 S *	11/2015	Sinur	D23/372
D744,628 S	12/2015	Alexander	
D745,131 S *	12/2015	Sinur	D23/372
D745,652 S	12/2015	Berkman et al.	
D746,424 S	12/2015	Takahashi et al.	
D746,427 S	12/2015	Mecker	
D747,141 S	1/2016	Wahl	
D747,576 S	1/2016	Fjellman	
D751,189 S	3/2016	Suzuki et al.	
D751,247 S	3/2016	Reynolds	
D752,201 S	3/2016	Herbst	
D753,869 S	4/2016	Prijic	
D754,319 S	4/2016	Park et al.	
D755,942 S	5/2016	Kim	
D758,559 S *	6/2016	Sinur	D23/372
D759,800 S	6/2016	Adrian et al.	
D771,231 S	11/2016	Chen et al.	
D778,424 S	2/2017	Jonas et al.	
D778,425 S	2/2017	Jonas et al.	
D779,050 S	2/2017	Jonas et al.	
D784,511 S	4/2017	Jonas et al.	
D784,512 S	4/2017	Jonas et al.	
D785,777 S *	5/2017	Puffer	D23/370
2002/0083691 A1 *	7/2002	Chang	B01D 46/0005 55/385.1
2005/0016522 A1 *	1/2005	Yeung	F24C 15/20 126/299 D
2013/0087133 A1 *	4/2013	Davis	F24C 15/20 126/299 D
2013/0233295 A1 *	9/2013	Oagley	F24C 15/20 126/299 D
2015/0241070 A1 *	8/2015	Lin	F24C 15/2035 126/299 D
2016/0341433 A1 *	11/2016	Gauthier	F24C 15/2028
2017/0016629 A1 *	1/2017	Jiang	F04D 29/00

OTHER PUBLICATIONS

“Canadian Application Serial No. 165,355, Office Action dated Jun. 28, 2016”, 2 pgs.
 “Canadian Application Serial No. 165,355, Response filed Sep. 22, 2016 to Office Action dated Jun. 28, 2016”, 2 pgs.
 “Canadian Application Serial No. 163,015, Response filed Mar. 10, 2016 to Office Action dated Nov. 10, 2015”, 7 pgs.
 “U.S. Appl. No. 29/521,663, Corrected Notice of Allowance dated Mar. 30, 2016”, 4 pgs.
 “U.S. Appl. No. 29/514,061, Non Final Office Action dated May 19, 2016”, 19 pgs.
 “U.S. Appl. No. 29/514,063, Non Final Office Action dated May 19, 2016”, 22 pgs.
 “U.S. Appl. No. 29/514,067, Non Final Office Action dated May 20, 2016”, 21 pgs.

“U.S. Appl. No. 29/514,073, Non Final Office Action dated May 20, 2016”, 21 pgs.
 “U.S. Appl. No. 29/514,070, Non Final Office Action dated May 27, 2016”, 26 pgs.
 “Chinese Application Serial No. 201630055109.5, Office Action dated Jun. 1, 2016”, 1 pg.
 “Canadian Application Serial No. 165,307, Response filed Jun. 15, 2016 to Office Action dated Feb. 15, 2016”, 9 pgs.
 “Canadian Application Serial No. 165,355, Response filed Jun. 15, 2016 to Office Action dated Feb. 15, 2016”, 6 pgs.
 “Canadian Application Serial No. 165,366, Response filed Jun. 15, 2016 to Office Action dated Feb. 15, 2016”, 18 pgs.
 “Canadian Application Serial No. 167,117, Office Action dated Jul. 14, 2016”, 3 pgs.
 “U.S. Appl. No. 29/514,061, Response filed Aug. 17, 2016 to Non Final Office Action dated May 19, 2016”, 6 pgs.
 “U.S. Appl. No. 29/514,063, Response filed Aug. 17, 2016 to Non Final Office Action dated May 19, 2016”, 8 pgs.
 “U.S. Appl. No. 29/514,067, Response filed Aug. 22, 2016 to Non Final Office Action dated May 20, 2016”, 6 pgs.
 “U.S. Appl. No. 29/514,073, Response filed Aug. 22, 2016 to Non Final Office Action dated May 20, 2016”, 6 pgs.
 “U.S. Appl. No. 29/514,970, Response filed Aug. 29, 2016 to Non Final Office Action dated May 27, 2016”, 6 pgs.
 “U.S. Appl. No. 29/538,019, Restriction Requirement dated Sep. 1, 2016”, 7 pgs.
 “Chinese Application Serial No. 201630055109.5, Response filed Sep. 18, 2016 to Office Action dated Jun. 1, 2016”, 5 pgs.
 “U.S. Appl. No. 29/514,061, Final Office Action dated Sep. 19, 2016”, 9 pgs.
 “U.S. Appl. No. 29/514,073, Notice of Allowance dated Sep. 19, 2016”, 8 pgs.
 “U.S. Appl. No. 29/514,067, Notice of Allowance mailed Sep. 20, 2016”, 9 pgs.
 “U.S. Appl. No. 29/514,070, Notice of Allowance dated Sep. 21, 2016”, 6 pgs.
 “Canadian Application Serial No. 165,355, Response filed Sep. 22, 2016 to Office Action dated Jun. 28, 2016”, 2 pgs.
 “U.S. Appl. No. 29/514,070, Corrected Notice of Allowance dated Oct. 5, 2016”, 2 pgs.
 “U.S. Appl. No. 29/514,073, Corrected Notice of Allowance dated Oct. 5, 2016”, 2 pgs.
 “U.S. Appl. No. 29/538,019, Examiner Interview Summary dated Oct. 11, 2016”, 7 pgs.
 “U.S. Appl. No. 29/514,063, Response Filed Oct. 24, 2016 to Non-Final Office Action dated May 19, 2016”, 8 pgs.
 “Canadian Application Serial No. 169,274, Office Action dated Oct. 25, 2016”, 2 pgs.
 “Canadian Application Serial No. 169,275, Office Action dated Oct. 25, 2016”, 2 pgs.
 “U.S. Appl. No. 29/538,019, Response filed Nov. 1, 2016 to Restriction Requirement dated Sep. 1, 2016”, 4 pgs.
 “Canadian Application Serial No. 167, 117, Response filed Nov. 3, 2016 to Office Action dated Jul. 14, 2016”, 10 pgs.
 “U.S. Appl. No. 29/514,061, Response Filed Nov. 21, 2016 Final Office Action dated Sep. 19, 2016”, 16 pgs.
 “U.S. Appl. No. 29/538,019, Notice of Allowance dated Nov. 23, 2016”, 9 pgs.
 “U.S. Appl. No. 29/539,396, Notice of Allowance dated Feb. 27, 2017”, 9 pgs.
 “U.S. Appl. No. 29/539,401, Notice of Allowance dated Feb. 27, 2017”, 8 pgs.
 “U.S. Appl. No. 29/539,391, Notice of Allowance dated Mar. 1, 2017”, 8 pgs.
 “U.S. Appl. No. 29/539,405, Notice of Allowance dated Mar. 1, 2017”, 9 pgs.
 “U.S. Appl. No. 29/539,409, Notice of Allowance dated Mar. 2, 2017”, 8 pgs.
 “U.S. Appl. No. 29/539,392, Notice of Allowance dated Mar. 3, 2017”, 8 pgs.
 “U.S. Appl. No. 29/539,415, Notice of Allowance dated Mar. 9, 2017”, 8 pgs.

(56)

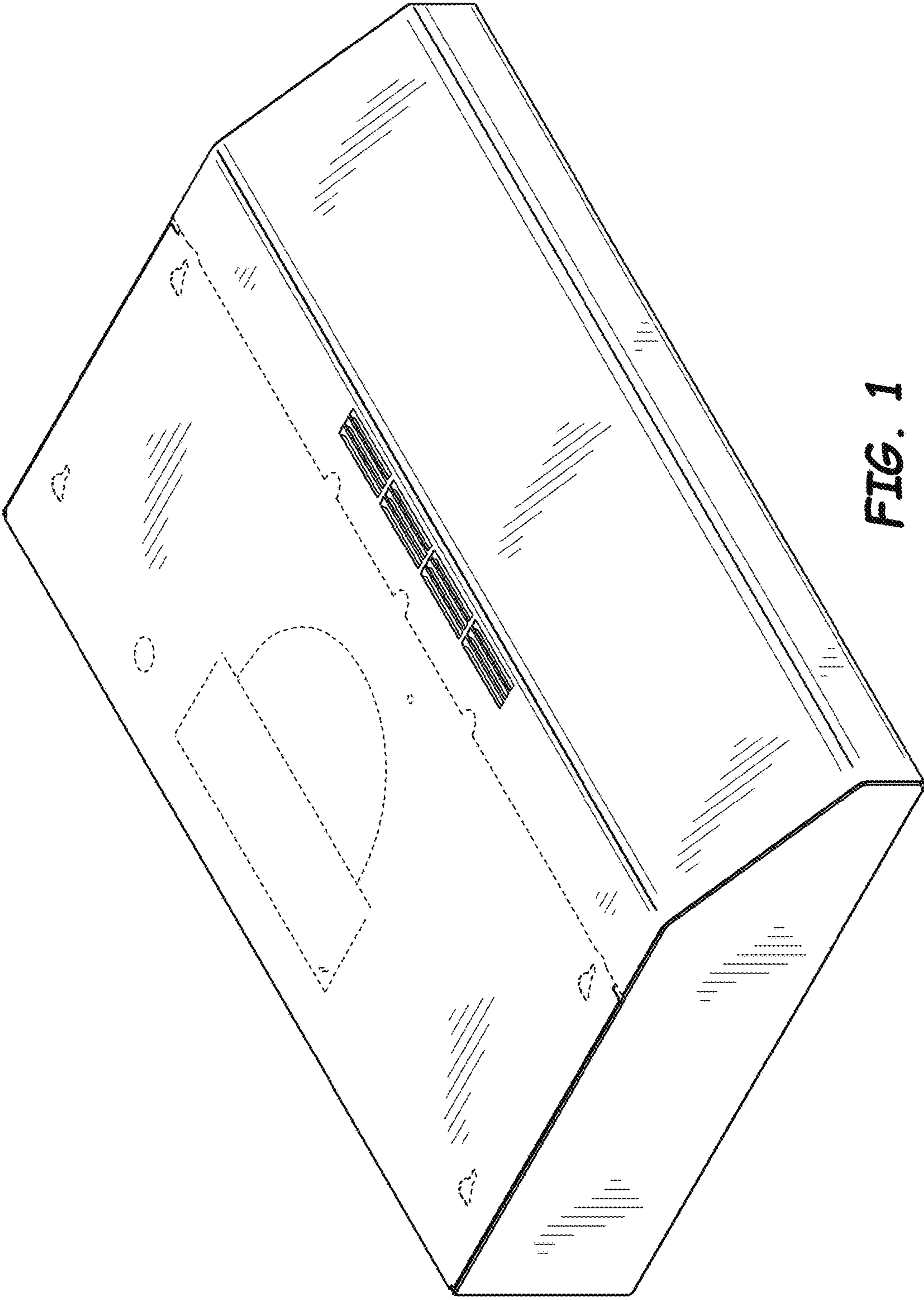
References Cited

OTHER PUBLICATIONS

“U.S. Appl. No. 29/539,414, Notice of Allowance dated Mar. 13, 2017”, 8 pgs.

“Broan QTX110SL Media Gallery, Broan QTX110SL Combination Fan, Light, Night-Light, 110 CFM, 0.9 Sones, Humidity Sensing, ventingdirect.com, p. 1.”

* cited by examiner



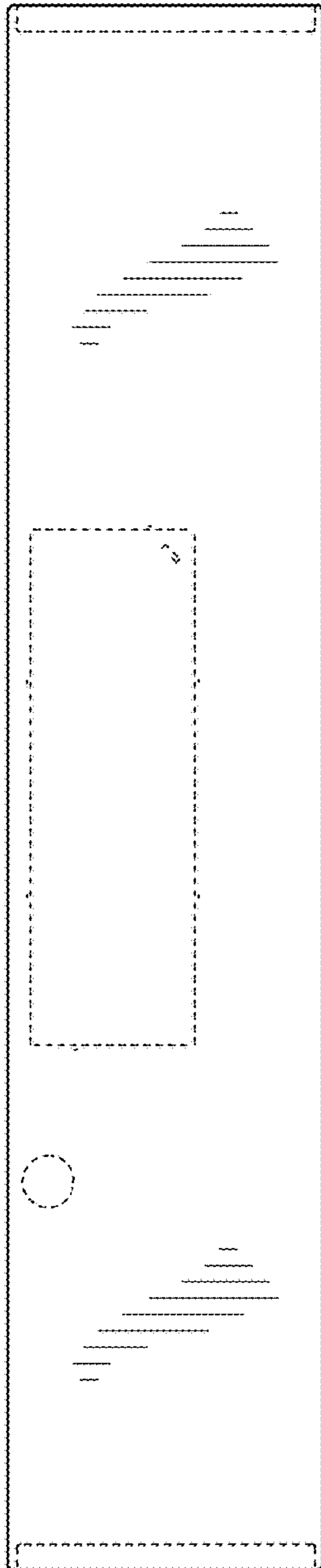


FIG. 2

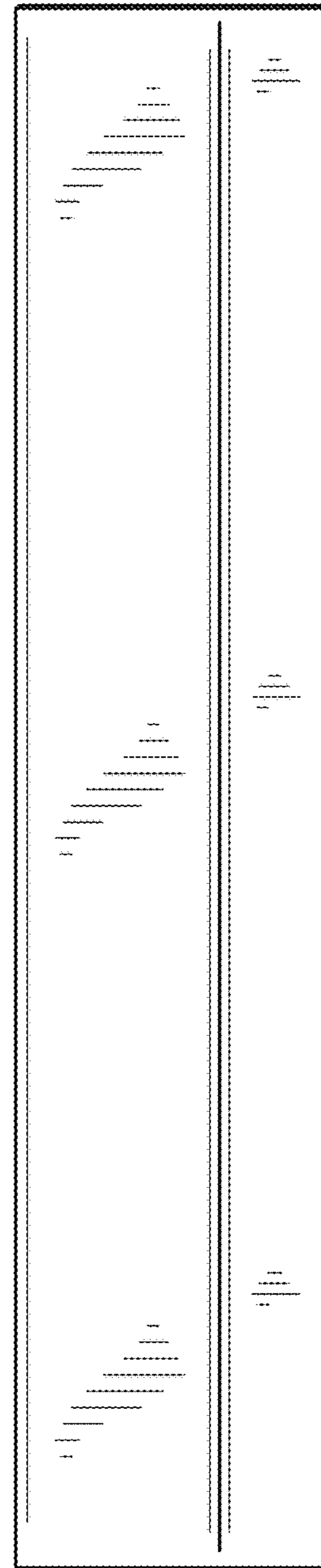


FIG. 3

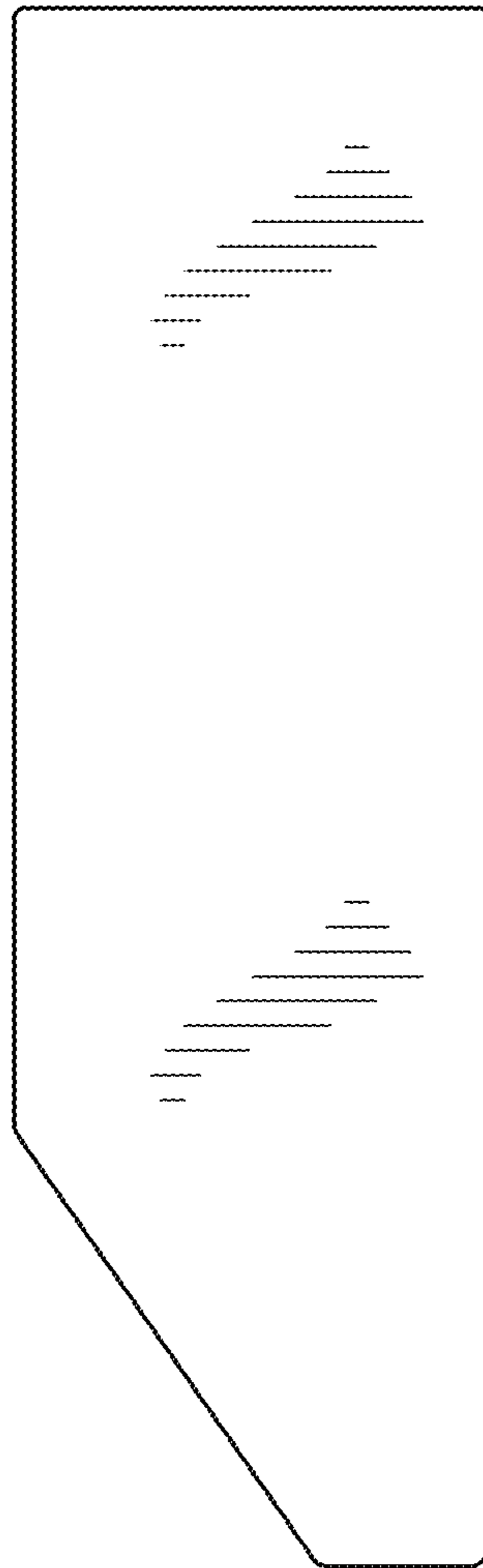


FIG. 4

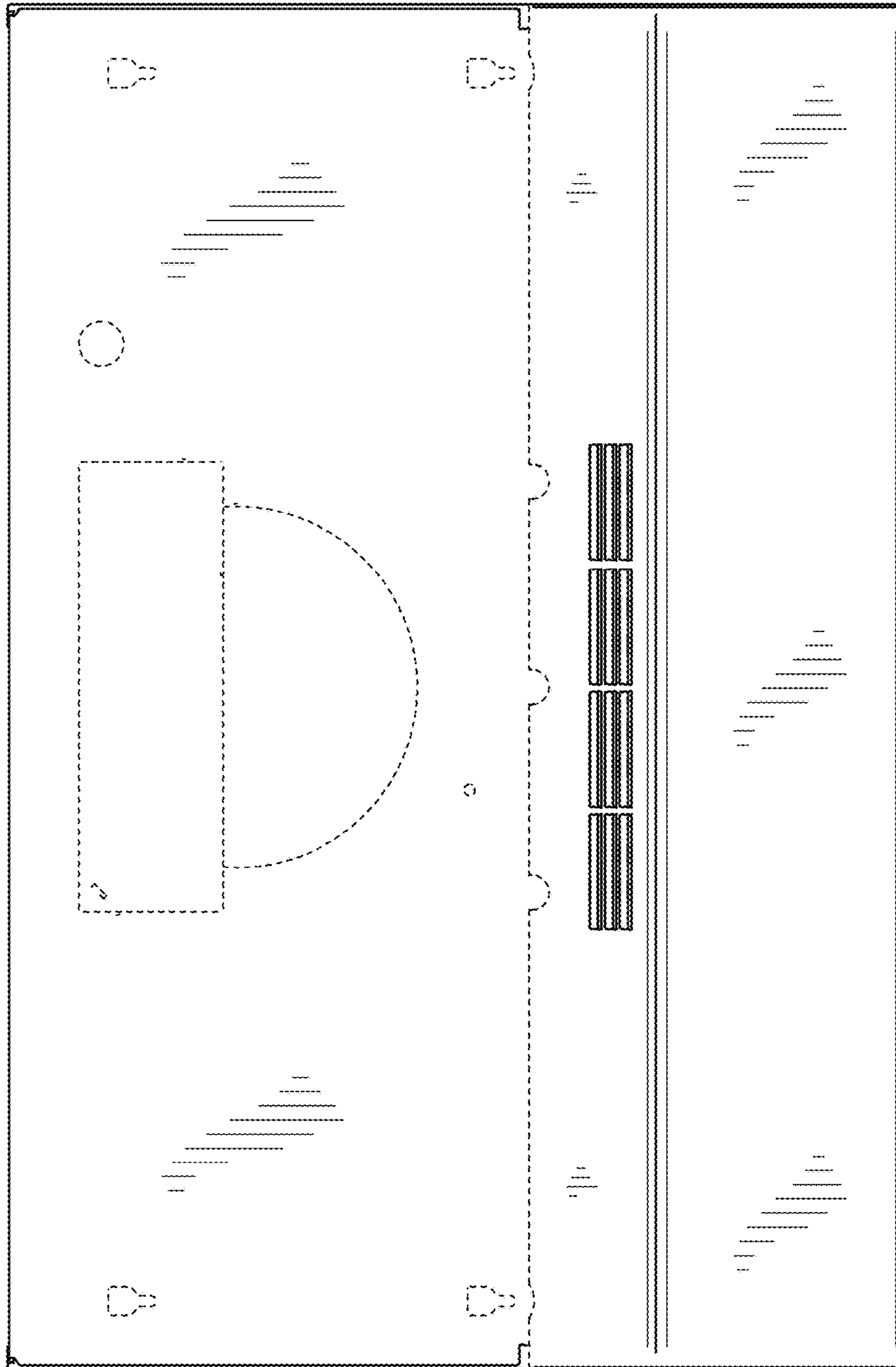


FIG. 5

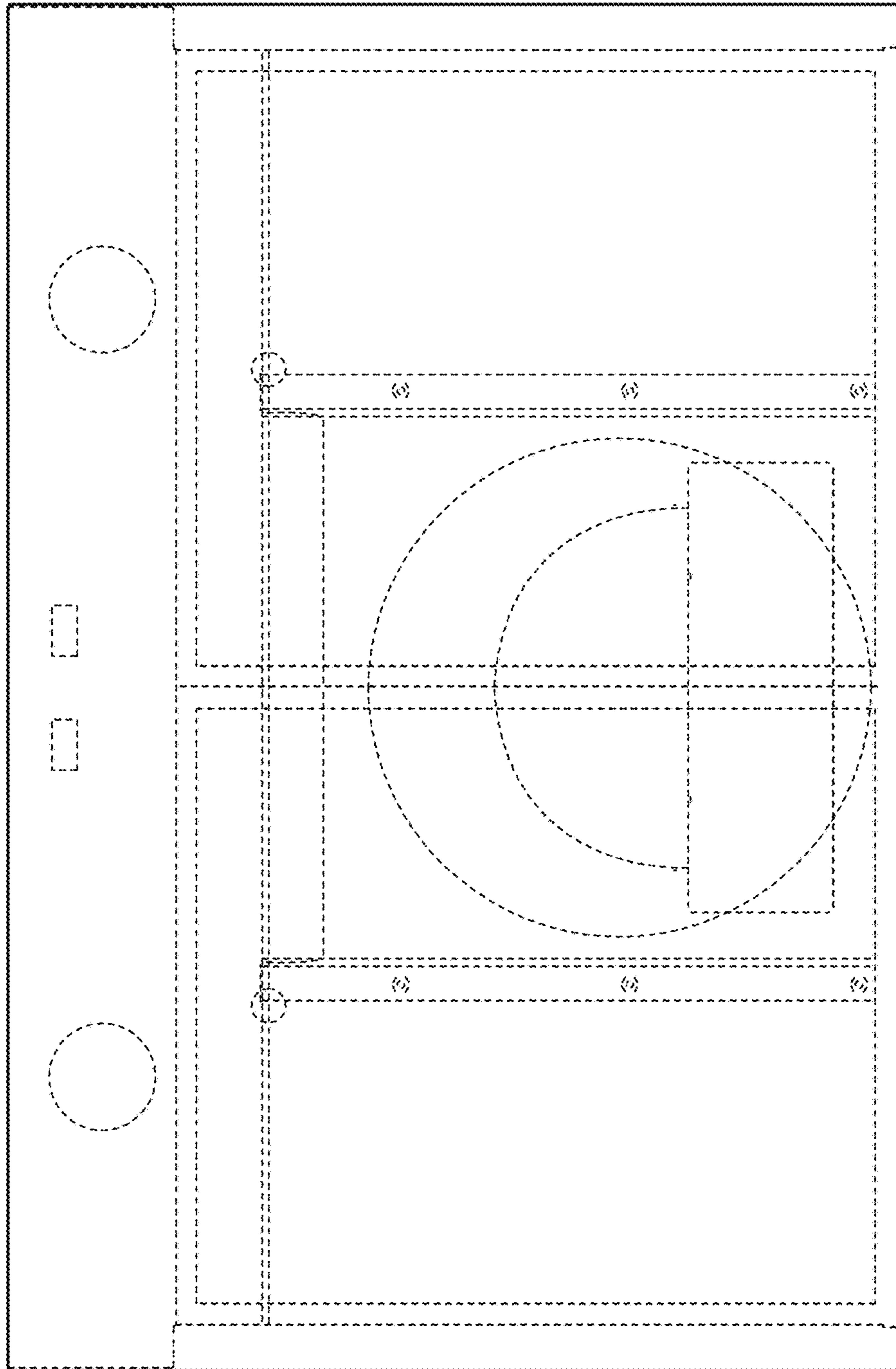


FIG. 6