



US00D826390S

(12) **United States Design Patent** (10) **Patent No.:** **US D826,390 S**  
**Brandenburg** (45) **Date of Patent:** **\*\* Aug. 21, 2018**

- (54) **AIR FRESHENER VENT CLIP**
- (71) Applicant: **Brandywine Product Group International, Inc.**, Wilmington, DE (US)
- (72) Inventor: **Kyle Brandenburg**, Middletown, DE (US)
- (73) Assignee: **Brandywine Product Group International, Inc.**, Wilmington, DE (US)
- (\*\*) Term: **15 Years**
- (21) Appl. No.: **29/588,653**
- (22) Filed: **Dec. 22, 2016**
- (51) **LOC (11) Cl.** ..... **28-99**
- (52) **U.S. Cl.**  
USPC ..... **D23/366**
- (58) **Field of Classification Search**  
USPC ..... D23/355-370, 386-388; D14/214-216  
CPC ..... Y10T 428/1366; B32B 2597/00; B01D 46/00; B01D 46/0004; B01D 27/04  
See application file for complete search history.

- D611,584 S \* 3/2010 Gruenbacher ..... D23/366
- D613,388 S 4/2010 Koenig et al.
- D618,329 S 6/2010 Koenig et al.
- D621,021 S 8/2010 Koenig et al.
- D621,922 S \* 8/2010 Sabate ..... D23/366
- D621,923 S 8/2010 Koenig et al.
- D621,926 S 8/2010 Christensen
- D628,284 S 11/2010 Ko et al.
- D629,500 S 12/2010 Koenig et al.
- D629,881 S 12/2010 Valentino et al.
- D631,954 S 2/2011 Bertassi et al.

(Continued)

*Primary Examiner* — Lakiya G Rogers  
*Assistant Examiner* — John A Voytek  
(74) *Attorney, Agent, or Firm* — Rogowski Law LLC

(57) **CLAIM**

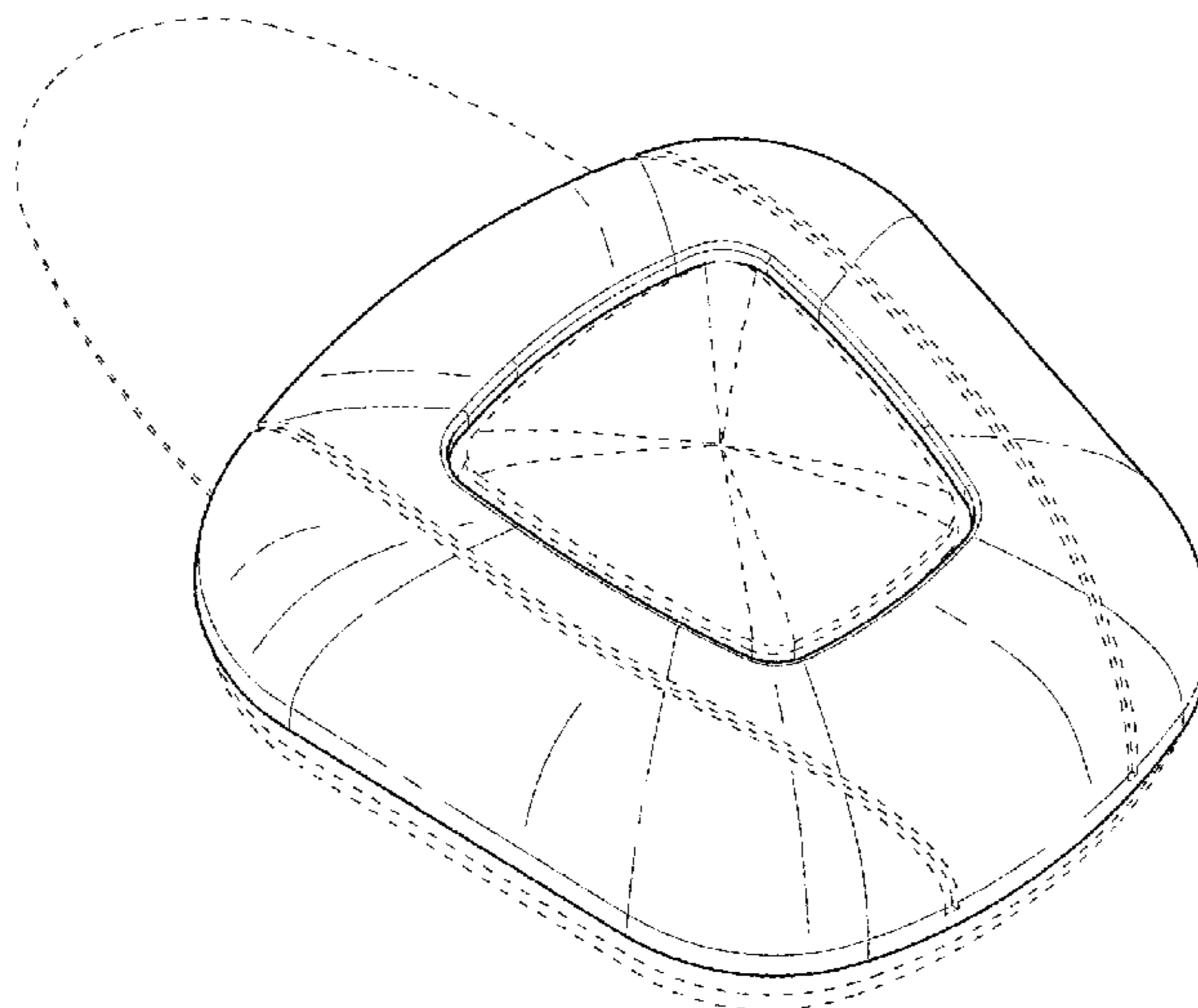
The ornamental design for an air freshener vent clip, as shown and described.

**DESCRIPTION**

FIG. 1 is a right front perspective view of an air freshener vent clip;  
FIG. 2 is a left bottom perspective view of the air freshener vent clip of FIG. 1;  
FIG. 3 is a top plan view of the air freshener vent clip of FIG. 1;  
FIG. 4 is a bottom plan view of the air freshener vent clip of FIG. 1;  
FIG. 5 is a front elevational view of the air freshener vent clip of FIG. 1;  
FIG. 6 is a rear elevational view of the air freshener vent clip of FIG. 1;  
FIG. 7 is a right side elevational view of the air freshener vent clip of FIG. 1; and,  
FIG. 8 is a left side elevational view of the air freshener vent clip of FIG. 1.  
The broken lines depict environmental subject matter only and form no part of the claimed design.

**1 Claim, 4 Drawing Sheets**

- (56) **References Cited**  
U.S. PATENT DOCUMENTS
- D481,787 S 11/2003 Millan
- D483,460 S 12/2003 Millan
- D503,973 S 4/2005 Millan
- D523,129 S \* 6/2006 Caserta ..... D23/366
- 7,070,172 B2 7/2006 Fabrega et al.
- D532,893 S 11/2006 Wu
- D544,592 S 6/2007 Caserta et al.
- D544,594 S 6/2007 Zobebe
- D552,343 S \* 10/2007 Brandenburg ..... D3/215
- 7,400,822 B2 \* 7/2008 Ruiz Ballesteros ..... A61L 9/03  
392/390
- D586,900 S \* 2/2009 Weggelaar ..... D23/366
- D608,435 S \* 1/2010 Zobebe ..... D23/366



(56)

**References Cited**

U.S. PATENT DOCUMENTS

D633,610	S	3/2011	Wu	
D642,668	S	8/2011	Lablaine	
D647,186	S	10/2011	Chan et al.	
D664,246	S	7/2012	Irvin et al.	
D665,485	S *	8/2012	Vetu .....	D23/364
8,455,454	B2	6/2013	Wang et al.	
D694,382	S	11/2013	Brandenburg et al.	
D696,762	S	12/2013	Lin	
D698,018	S	1/2014	Choi	
D709,172	S	7/2014	Brandenburg et al.	
D729,368	S *	5/2015	Markwick .....	D23/366
D794,765	S *	8/2017	Brandenburg .....	D23/366

\* cited by examiner

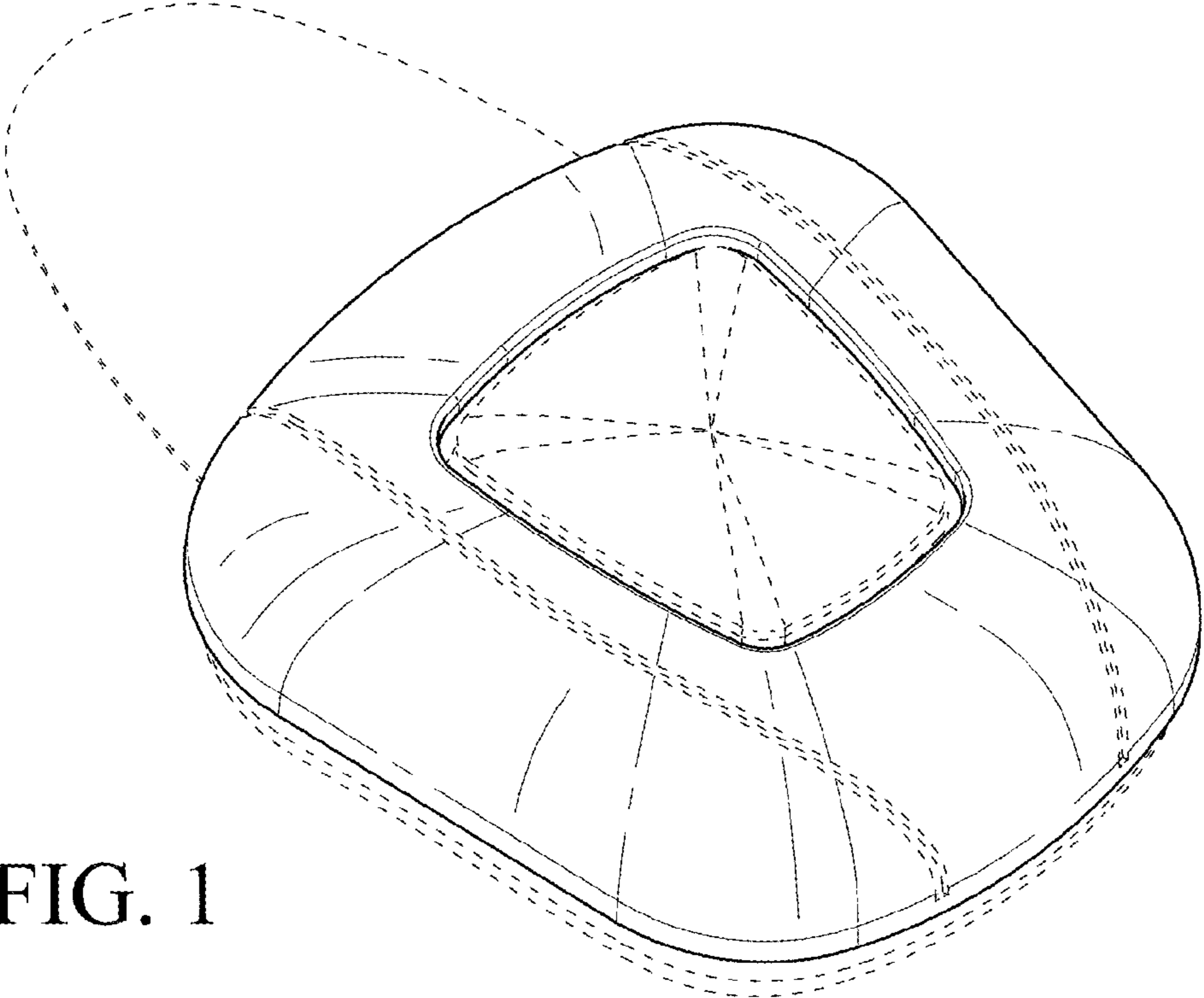


FIG. 1

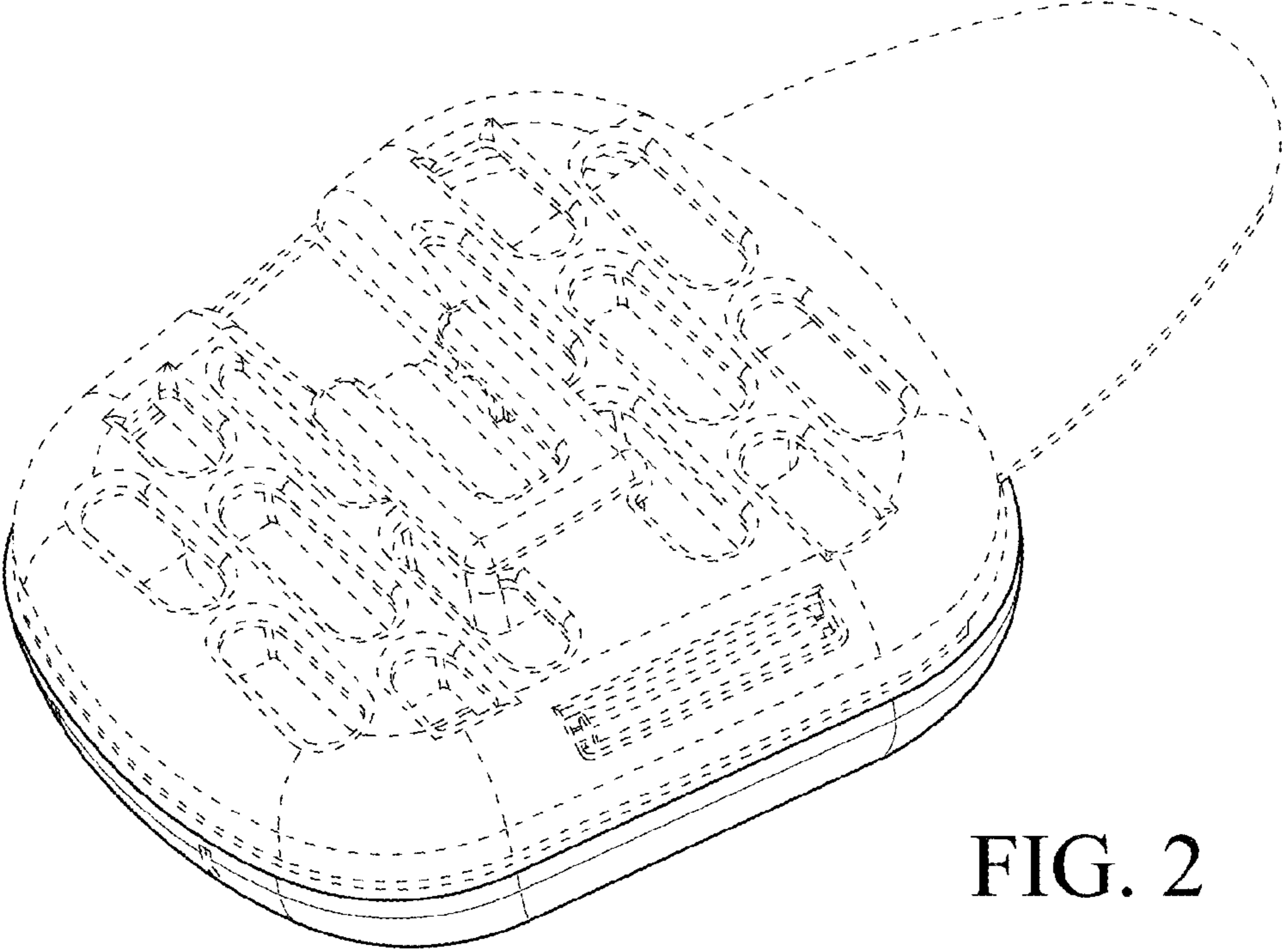


FIG. 2

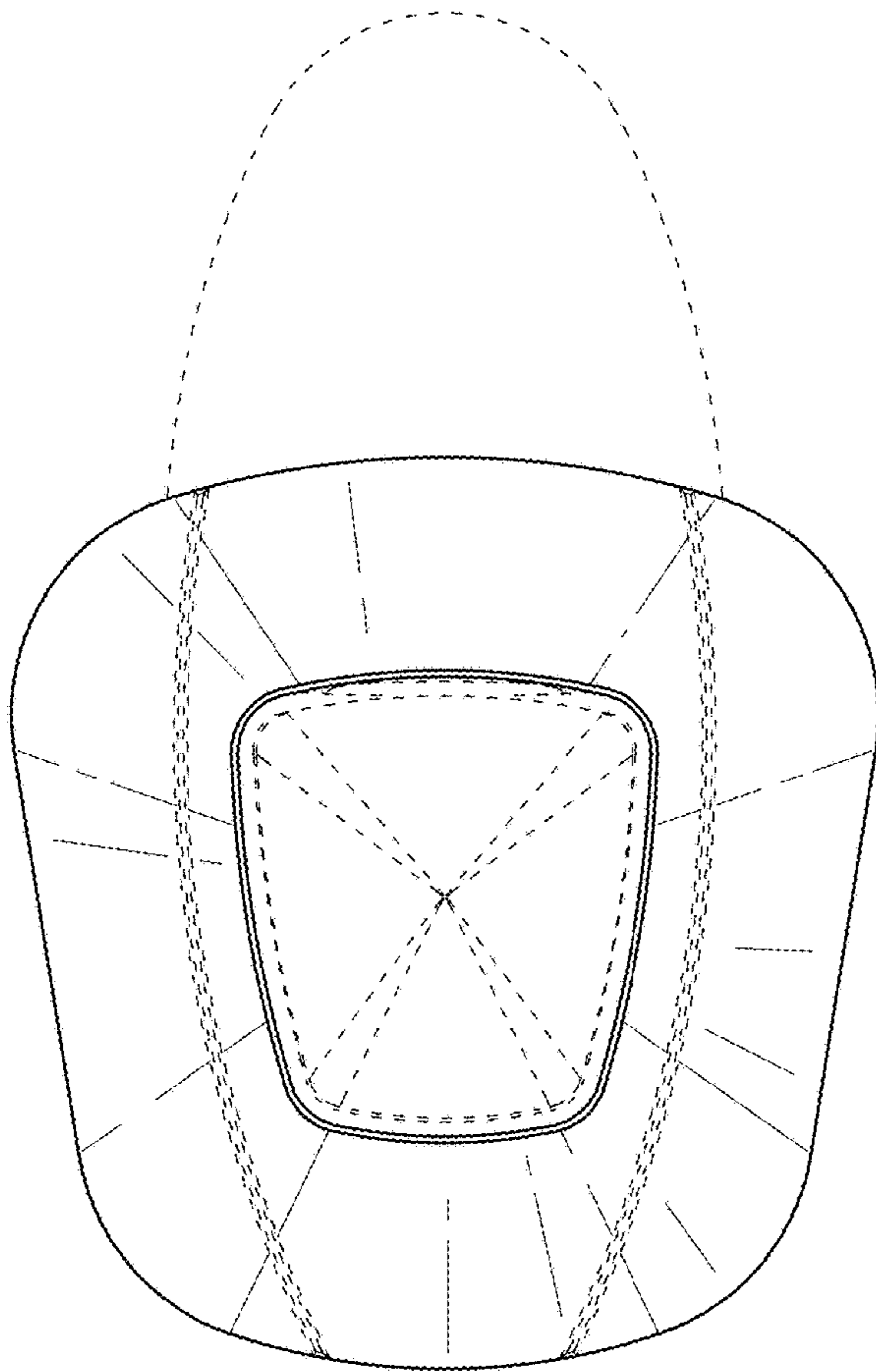


FIG. 3

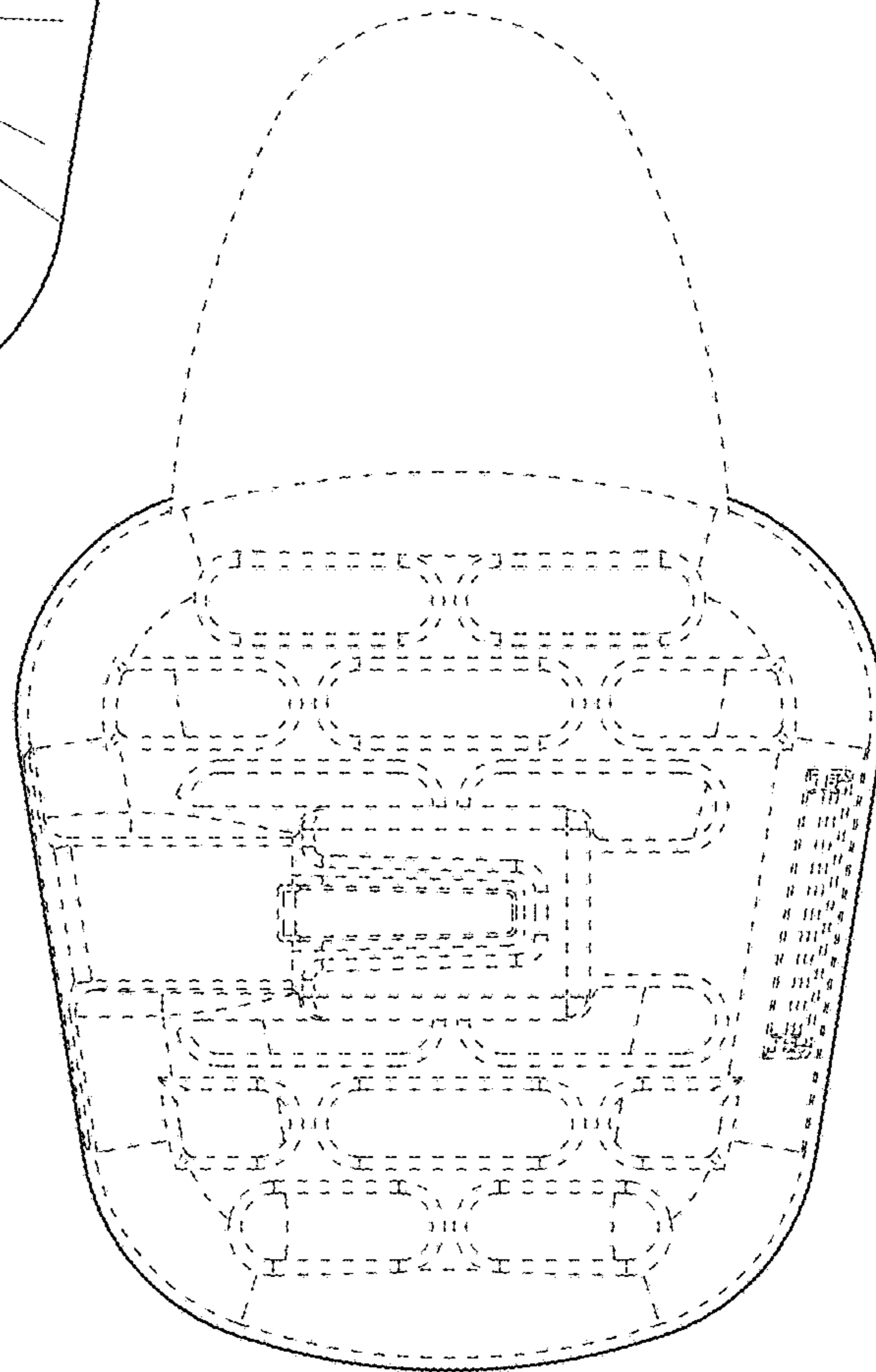


FIG. 4

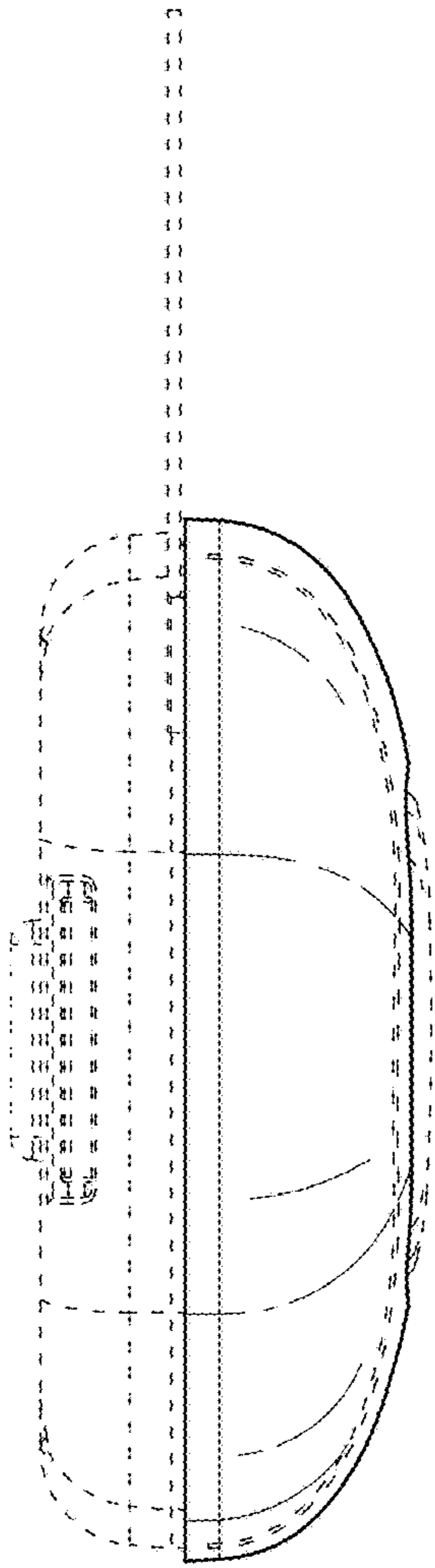


FIG. 5

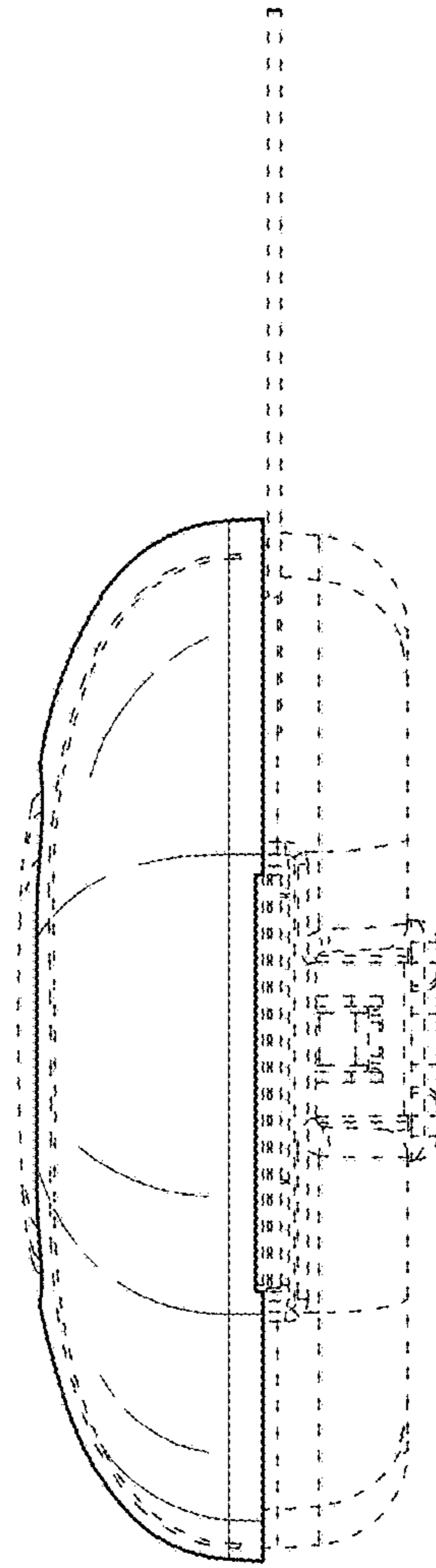


FIG. 6

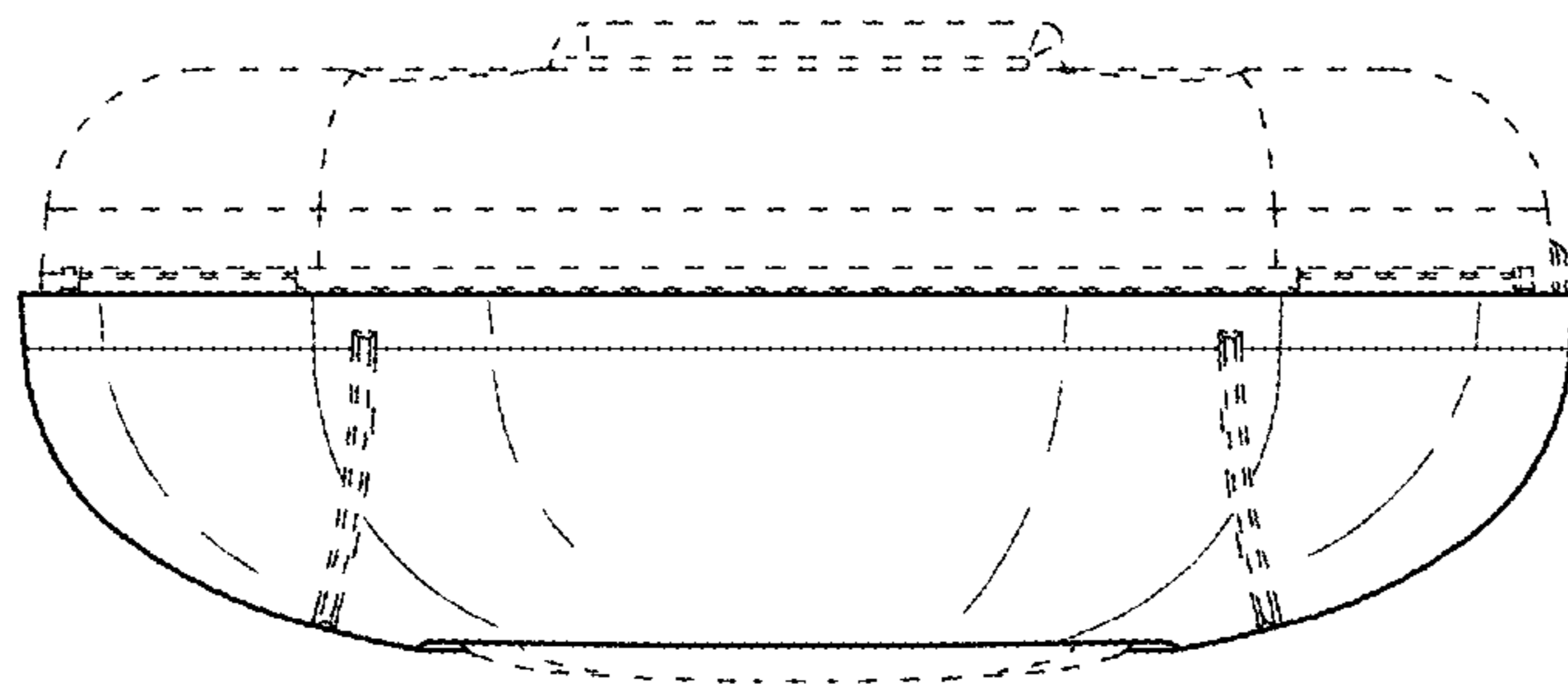


FIG. 7

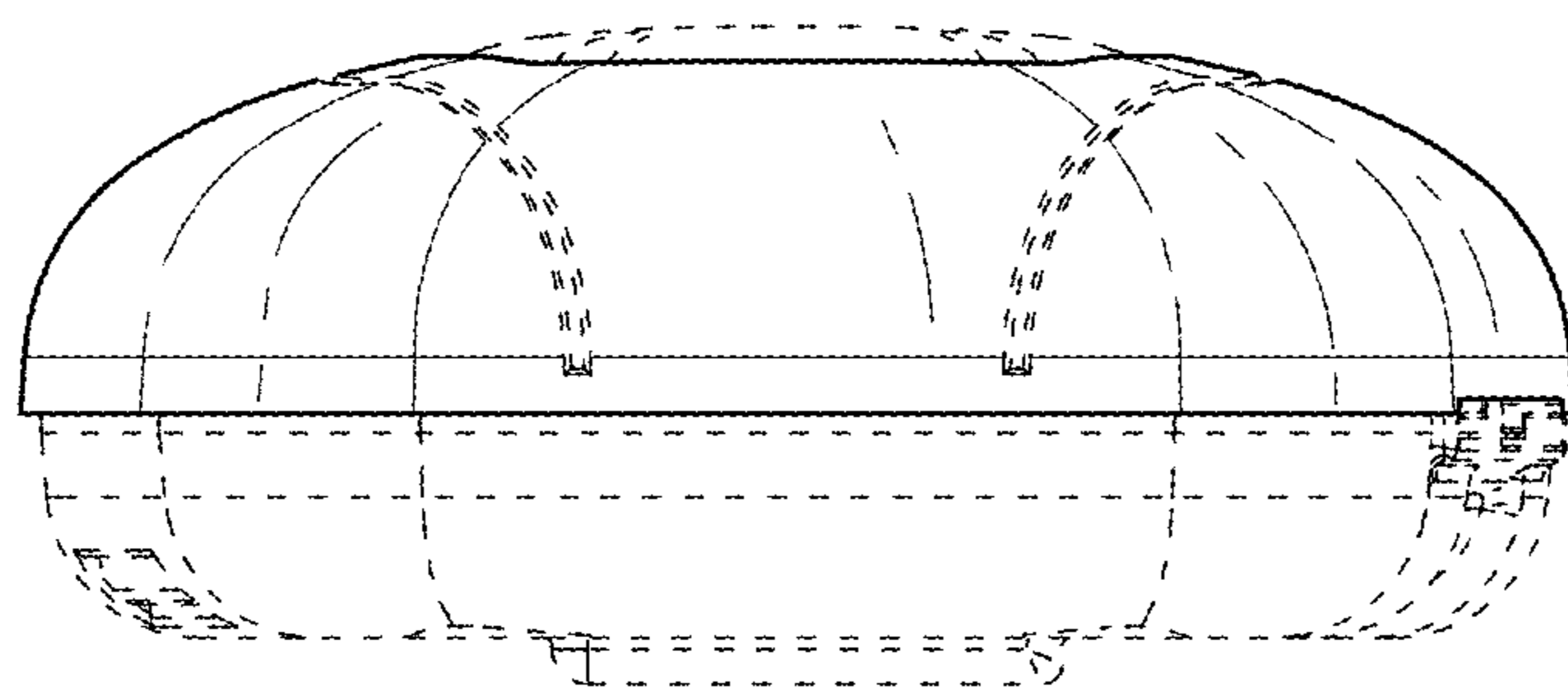


FIG. 8