



US00D826386S

(12) **United States Design Patent**  
**Bomatter et al.**

(10) **Patent No.:** **US D826,386 S**  
(45) **Date of Patent:** **\*\* Aug. 21, 2018**

(54) **SINK**  
(71) Applicant: **FRANKE TECHNOLOGY AND TRADEMARK LTD**, Hergiswil (CH)  
(72) Inventors: **Christian W. Bomatter**, Willer (FR);  
**Ralf Neeser**, Reidermoos (CH);  
**Alessandro Cagliari**, Peschiera del Garda (IT)  
(\*\*) Term: **15 Years**

D497,417 S \* 10/2004 Piatt ..... D23/293.1  
D607,979 S \* 1/2010 Jiang ..... D23/293.1  
D622,826 S \* 8/2010 Helmer ..... D23/293.1  
D630,308 S \* 1/2011 Webb ..... D23/293.1  
D632,373 S \* 2/2011 Kehrer ..... D23/293.1  
D697,596 S \* 1/2014 Spangler ..... D23/293.1  
D698,905 S \* 2/2014 Ziemann ..... D23/293.1  
D700,303 S \* 2/2014 Eveleigh ..... D23/284  
D716,918 S \* 11/2014 Kuch ..... D23/284  
D767,738 S \* 9/2016 Osterroth ..... D23/284  
D813,361 S \* 3/2018 Krahn ..... D23/308  
D814,615 S \* 4/2018 Ziemann ..... D23/293.1

\* cited by examiner

(21) Appl. No.: **35/503,010**  
(22) Filed: **Nov. 16, 2016**

*Primary Examiner* — Keli L. Hill

(80) **Hague Agreement Data**  
Int. Filing Date: **Nov. 16, 2016**  
Int. Reg. No.: **DM/094427**  
Int. Reg. Date: **Nov. 16, 2016**  
Int. Reg. Pub. Date: **May 19, 2017**

(57) **CLAIM**

The ornamental design for a sink, as shown and described.

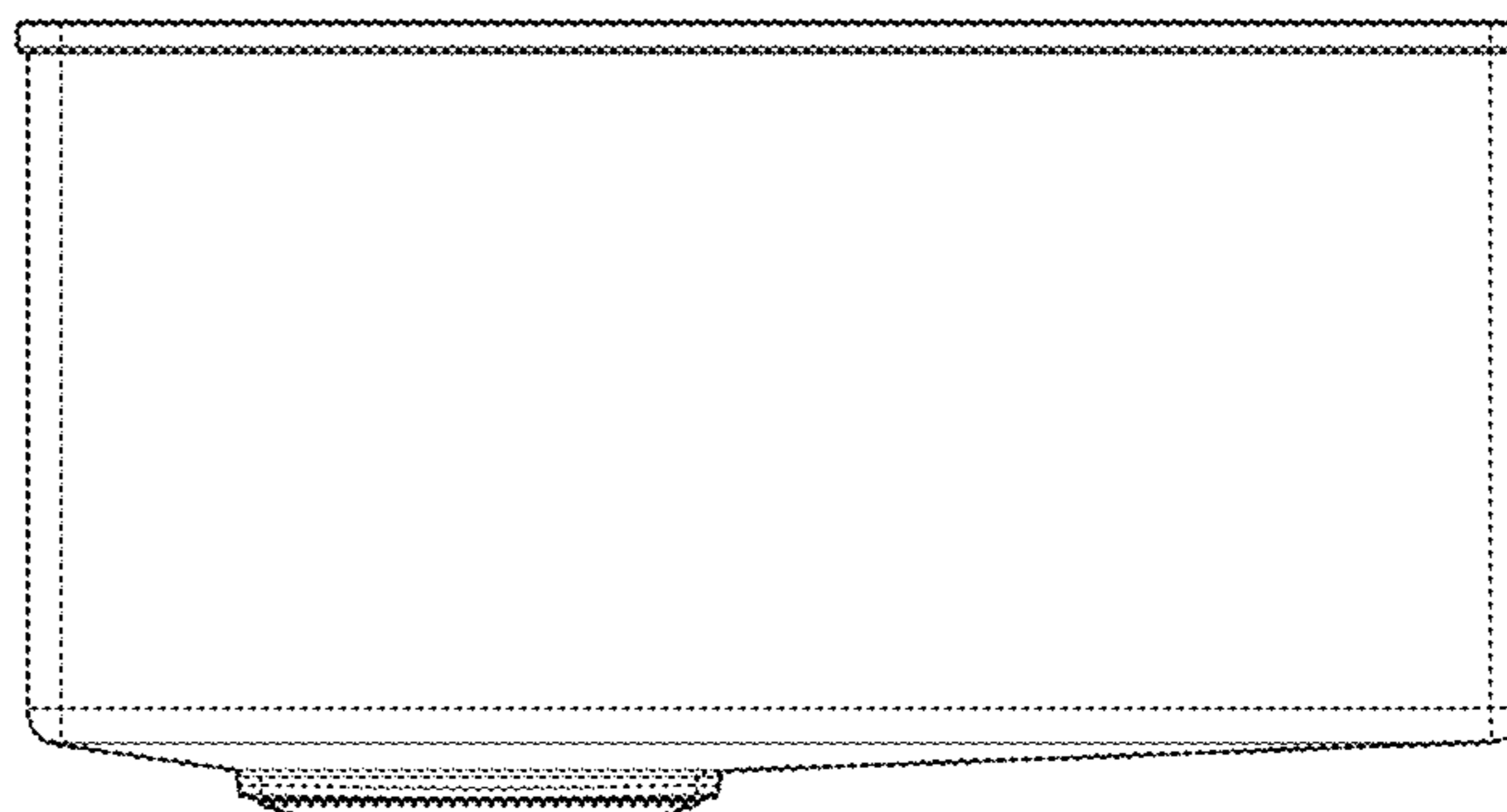
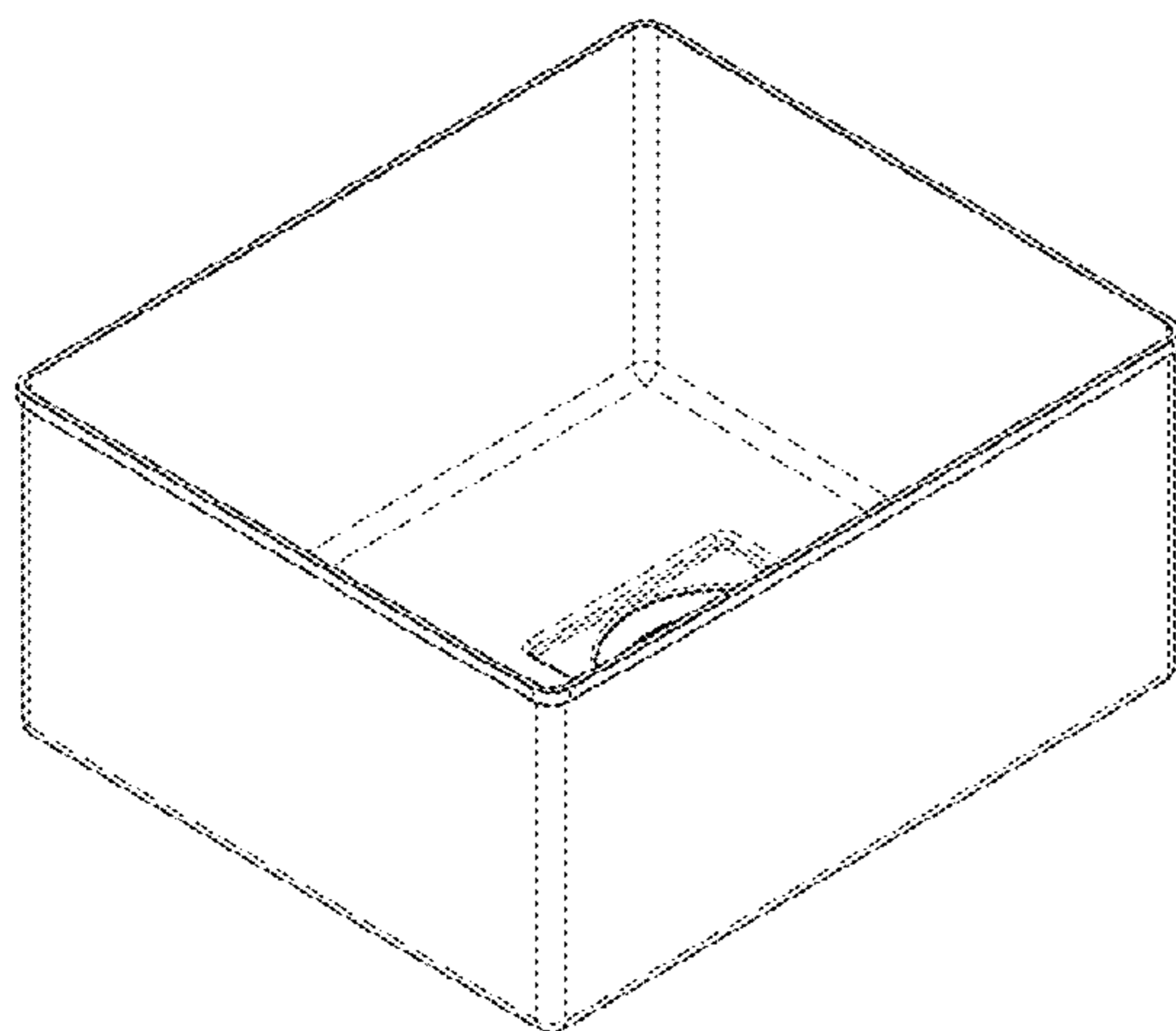
(51) **LOC (11) Cl.** ..... **23-02**  
(52) **U.S. Cl.**  
USPC ..... **D23/293.1**  
(58) **Field of Classification Search**  
USPC ..... D23/284, 293.1, 308  
CPC ..... A47J 9/00; A47J 45/00; A47J 2201/00;  
A47K 1/00; A47K 1/04; E03C 1/00;  
E03C 1/18  
See application file for complete search history.

**DESCRIPTION**

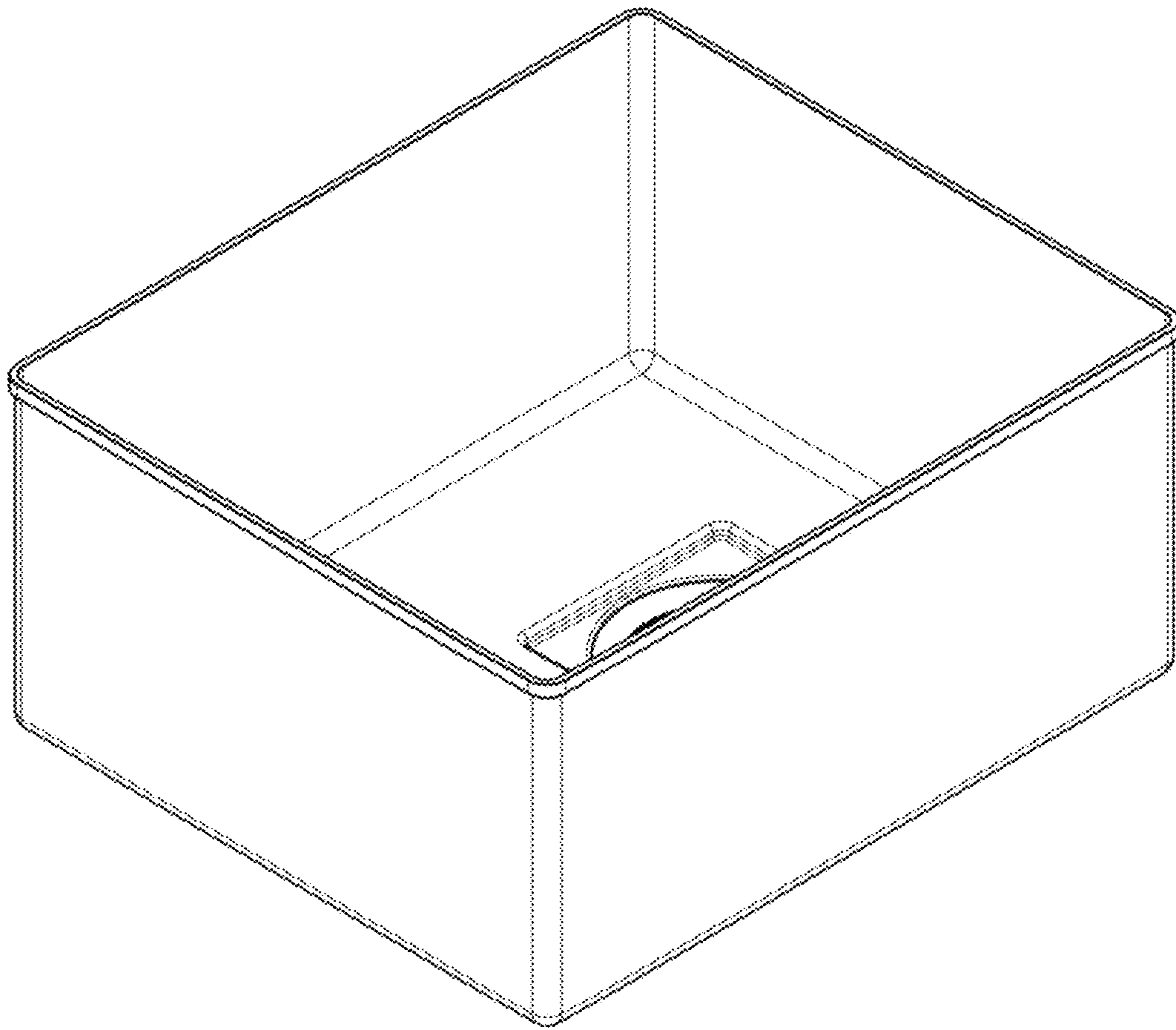
- 1. Sink
- 1.1 : Perspective
- 1.2 : Front
- 1.3 : Back
- 1.4 : Top
- 1.5 : Left
- 1.6 : Bottom
- 1.7 : Right
- 1.8 : Enlarged detail view

(56) **References Cited**  
U.S. PATENT DOCUMENTS  
4,720,879 A \* 1/1988 Rabban ..... A47L 13/60  
15/262  
D495,793 S \* 9/2004 Bayer ..... D23/293.1

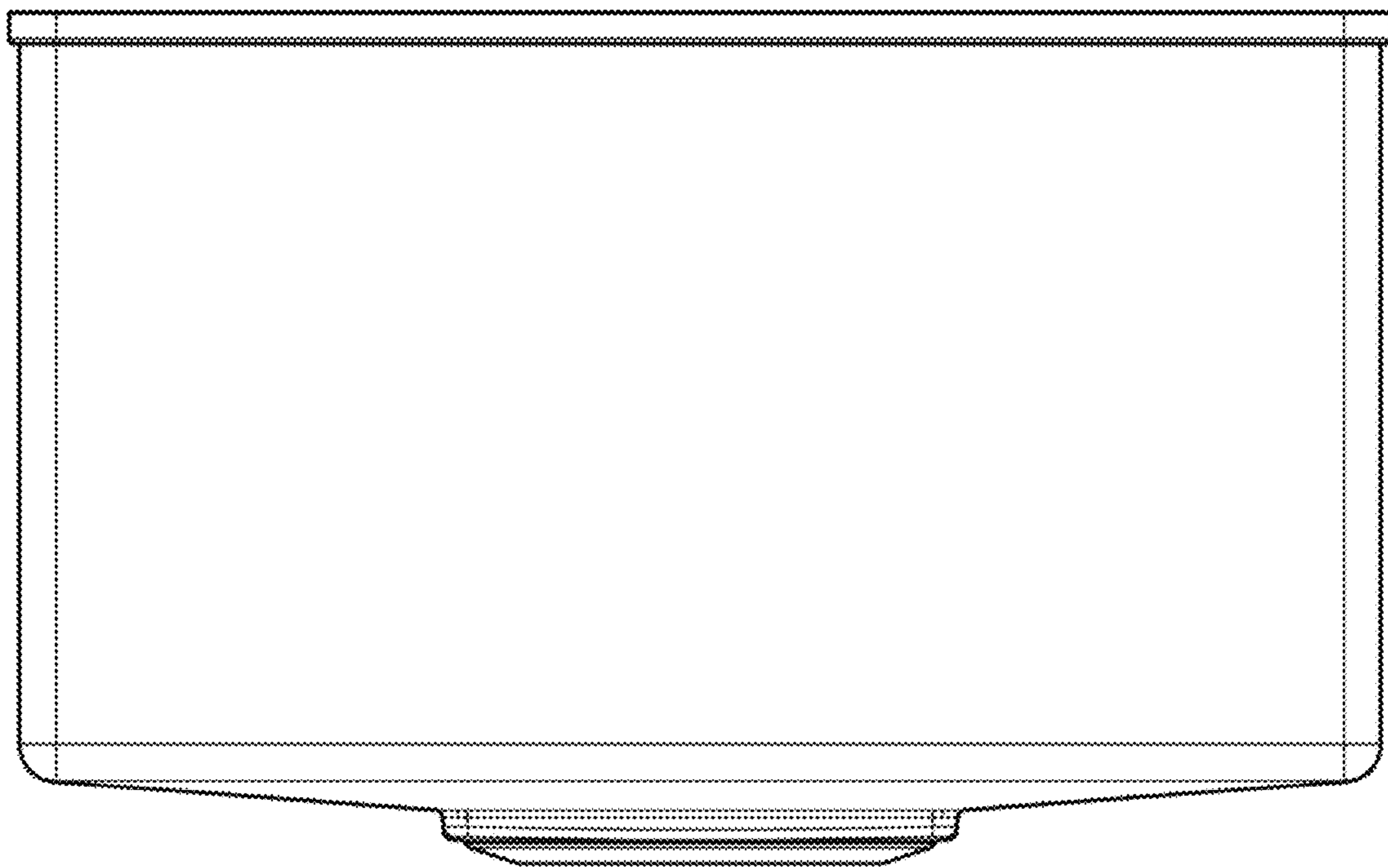
**1 Claim, 8 Drawing Sheets**



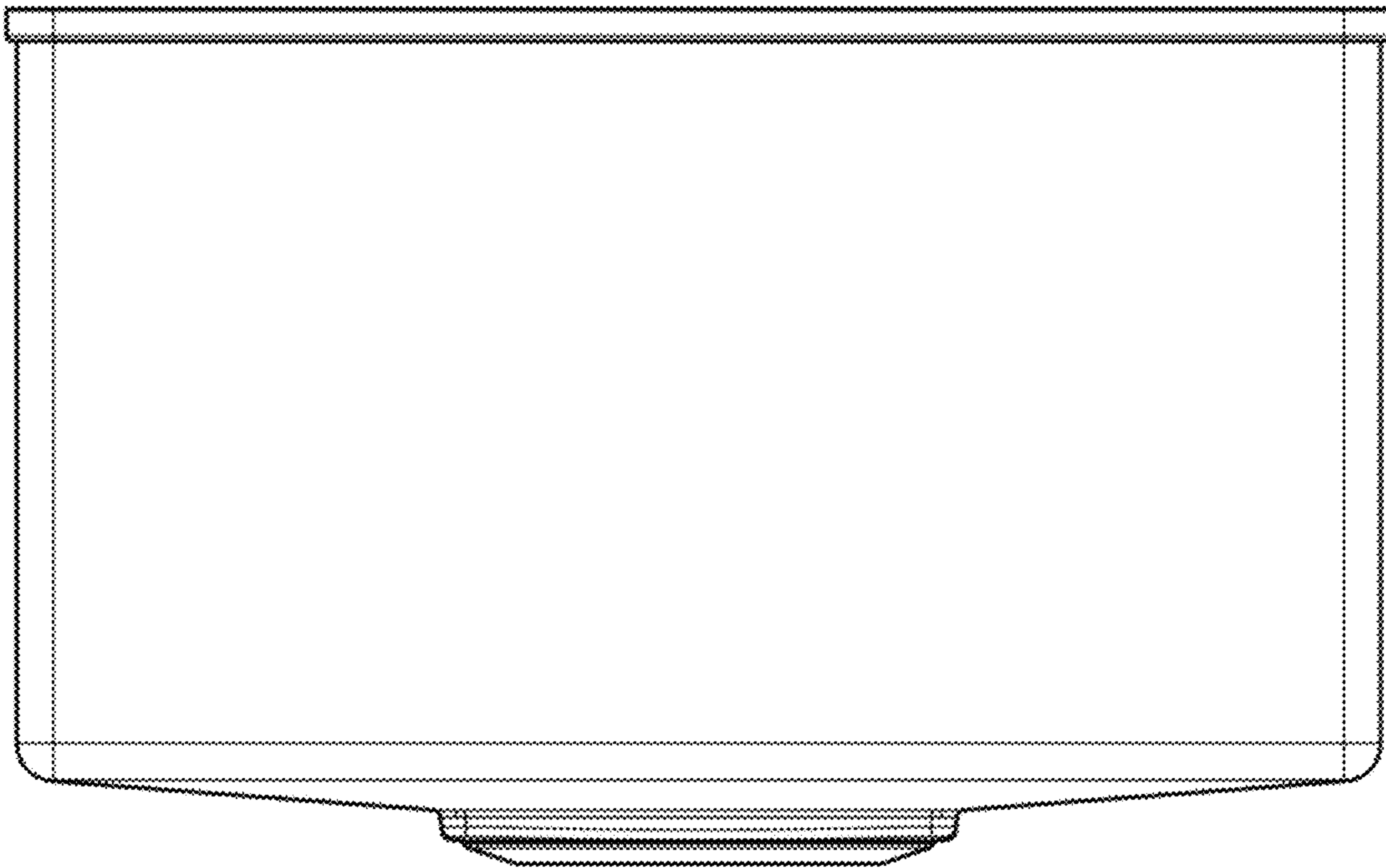
1.1



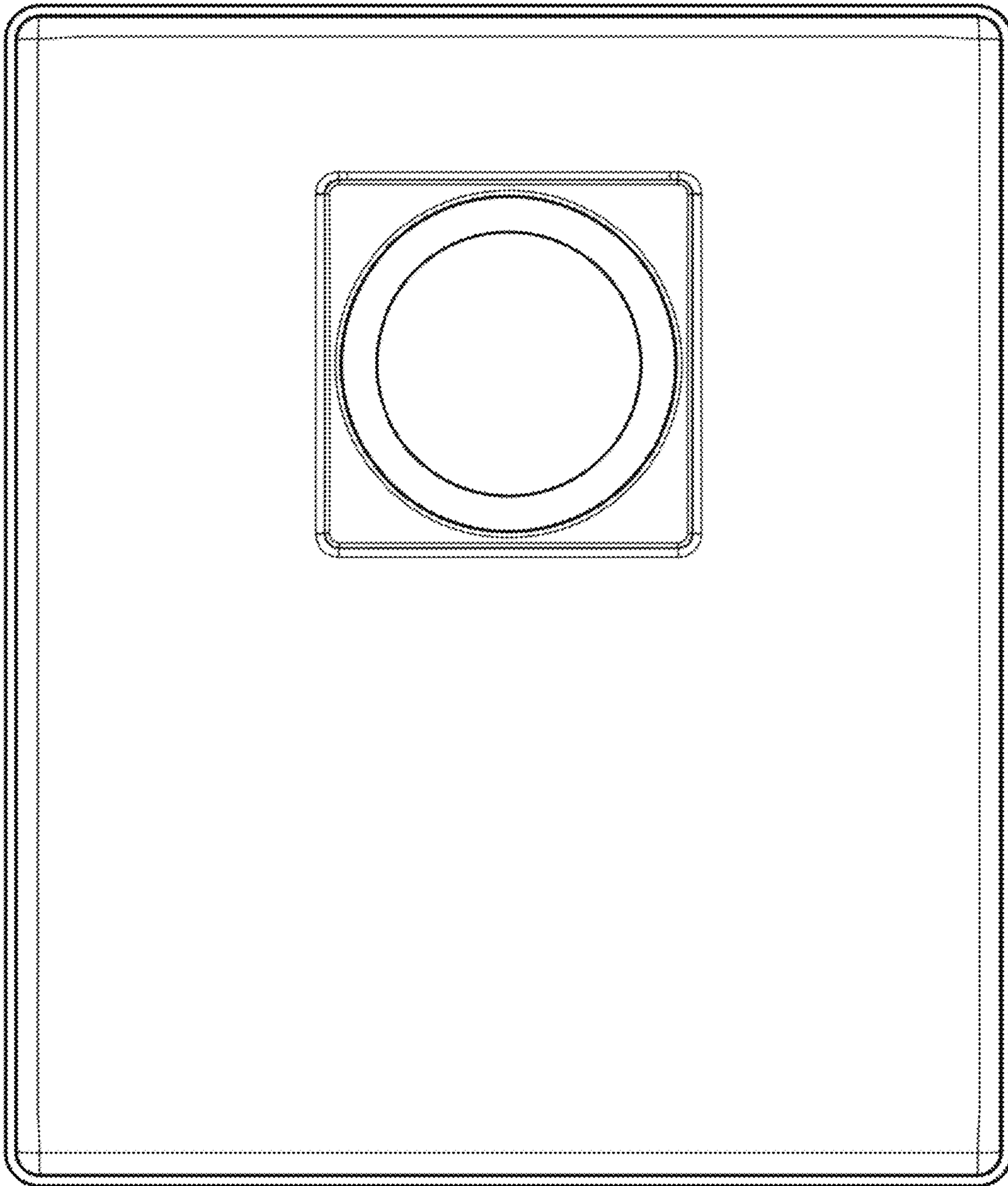
1.2



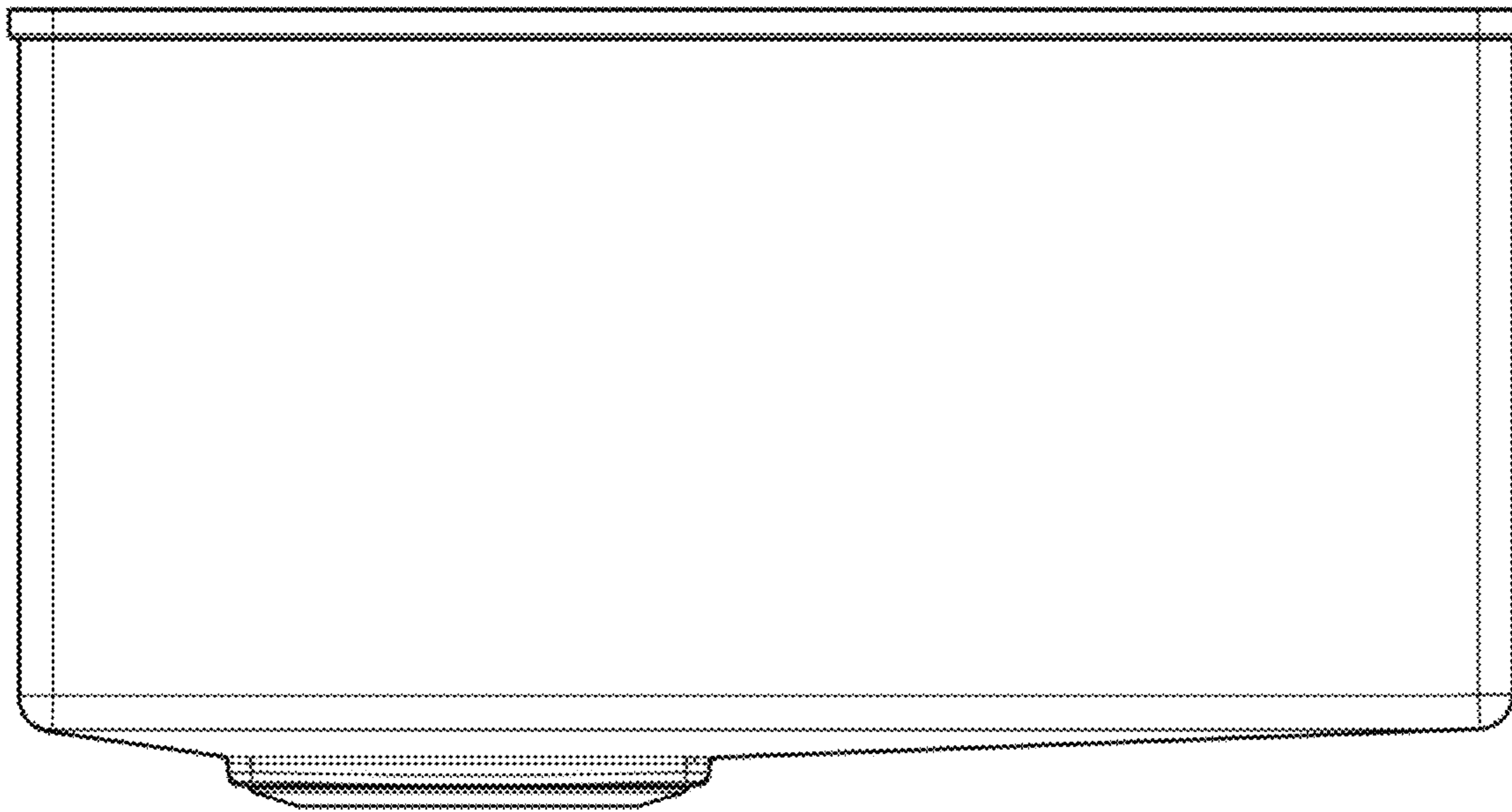
1.3



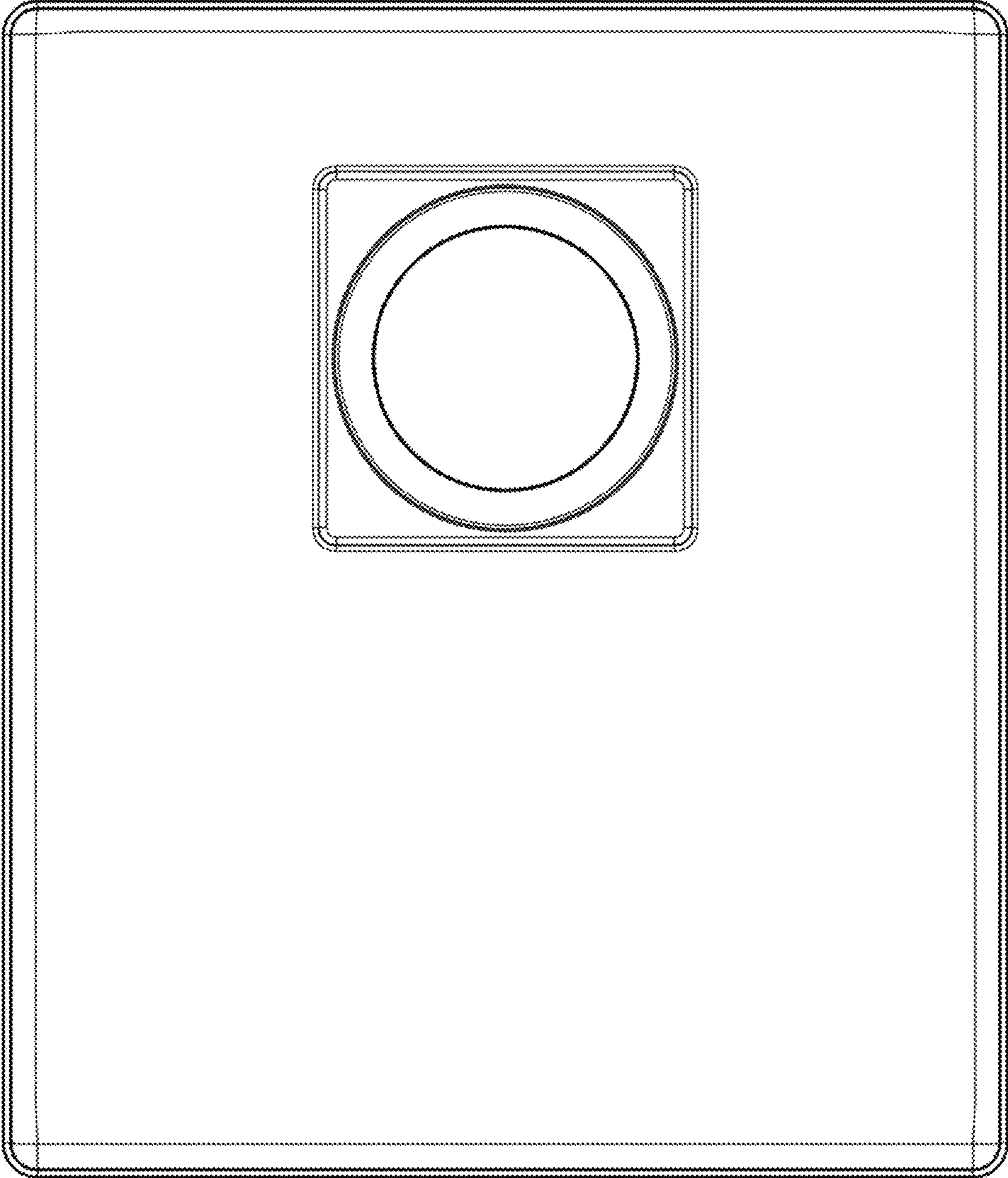
1.4



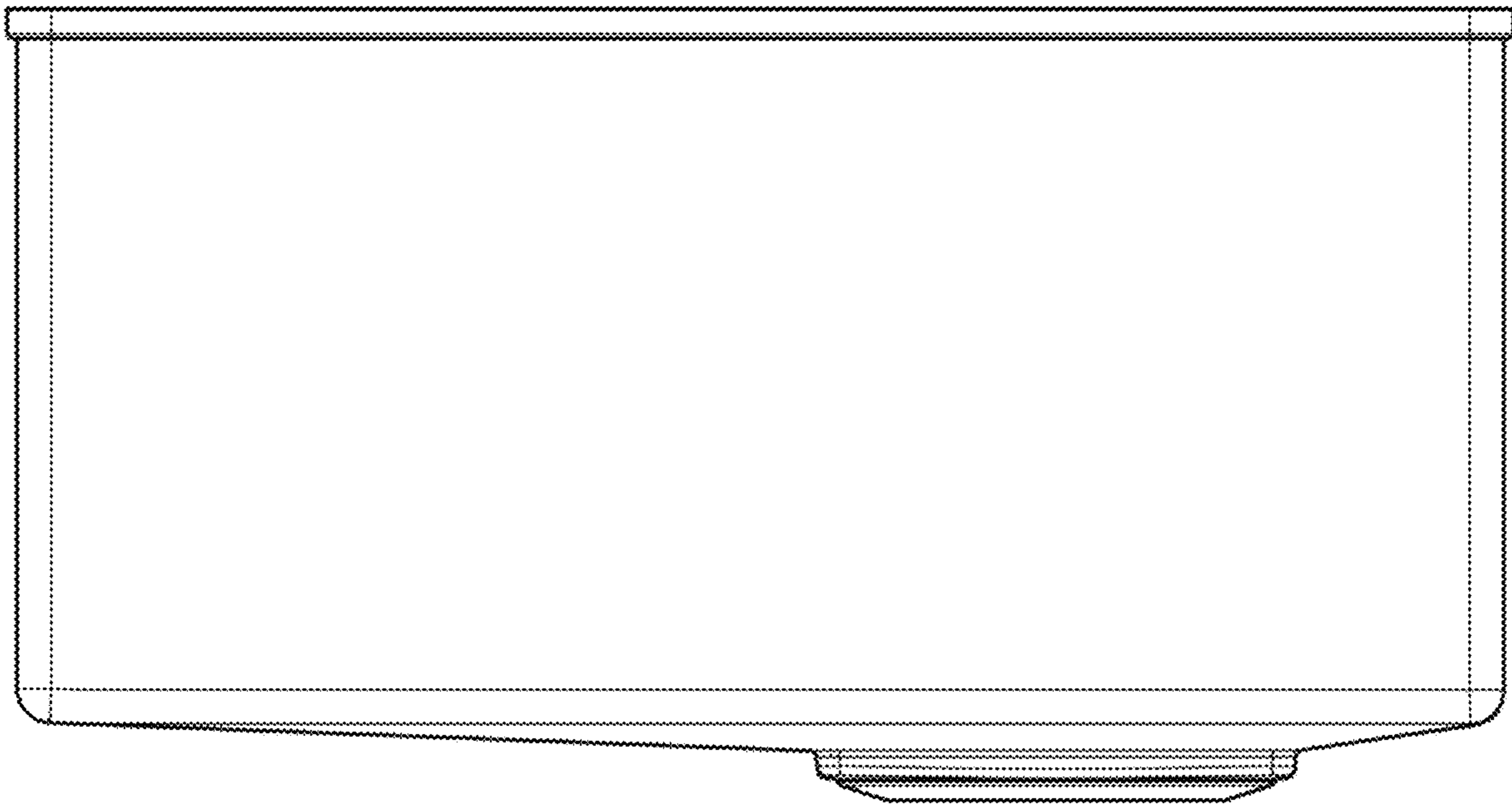
1.5



1.6



1.7





1.8

