



US00D826382S

(12) **United States Design Patent**
Spangler

(10) **Patent No.:** **US D826,382 S**

(45) **Date of Patent:** **** Aug. 21, 2018**

(54) **VALVE**

(71) Applicant: **DELTA FAUCET COMPANY,**
Indianapolis, IN (US)

(72) Inventor: **Anthony G. Spangler,** Indianapolis, IN
(US)

(73) Assignee: **DELTA FAUCET COMPANY,**
Indianapolis, IN (US)

(**) Term: **15 Years**

(21) Appl. No.: **29/630,574**

(22) Filed: **Dec. 21, 2017**

(51) **LOC (11) Cl.** **23-01**

(52) **U.S. Cl.**
USPC **D23/254**

(58) **Field of Classification Search**
USPC D23/250, 254, 238-242, 249; D8/300,
D8/308, 352-353, 312
CPC Y10T 137/9464
See application file for complete search history.

(56) **References Cited**

U.S. PATENT DOCUMENTS

D574,061 S * 7/2008 Rexach D23/254
D676,116 S * 2/2013 Lord D23/252

D782,012 S * 3/2017 Eads D23/252
D789,493 S * 6/2017 Dube D23/254
D789,494 S * 6/2017 Dube D23/252
D811,548 S * 2/2018 Garland D23/254

* cited by examiner

Primary Examiner — Robert A Delehanty

(74) *Attorney, Agent, or Firm* — Edgar A. Zarins; Nirav
D. Parikh

(57) **CLAIM**

The ornamental design for a valve, as shown and described.

DESCRIPTION

FIG. 1 is a perspective view of a valve showing my new design;

FIG. 2 is a top plan view thereof;

FIG. 3 is a front elevational view thereof;

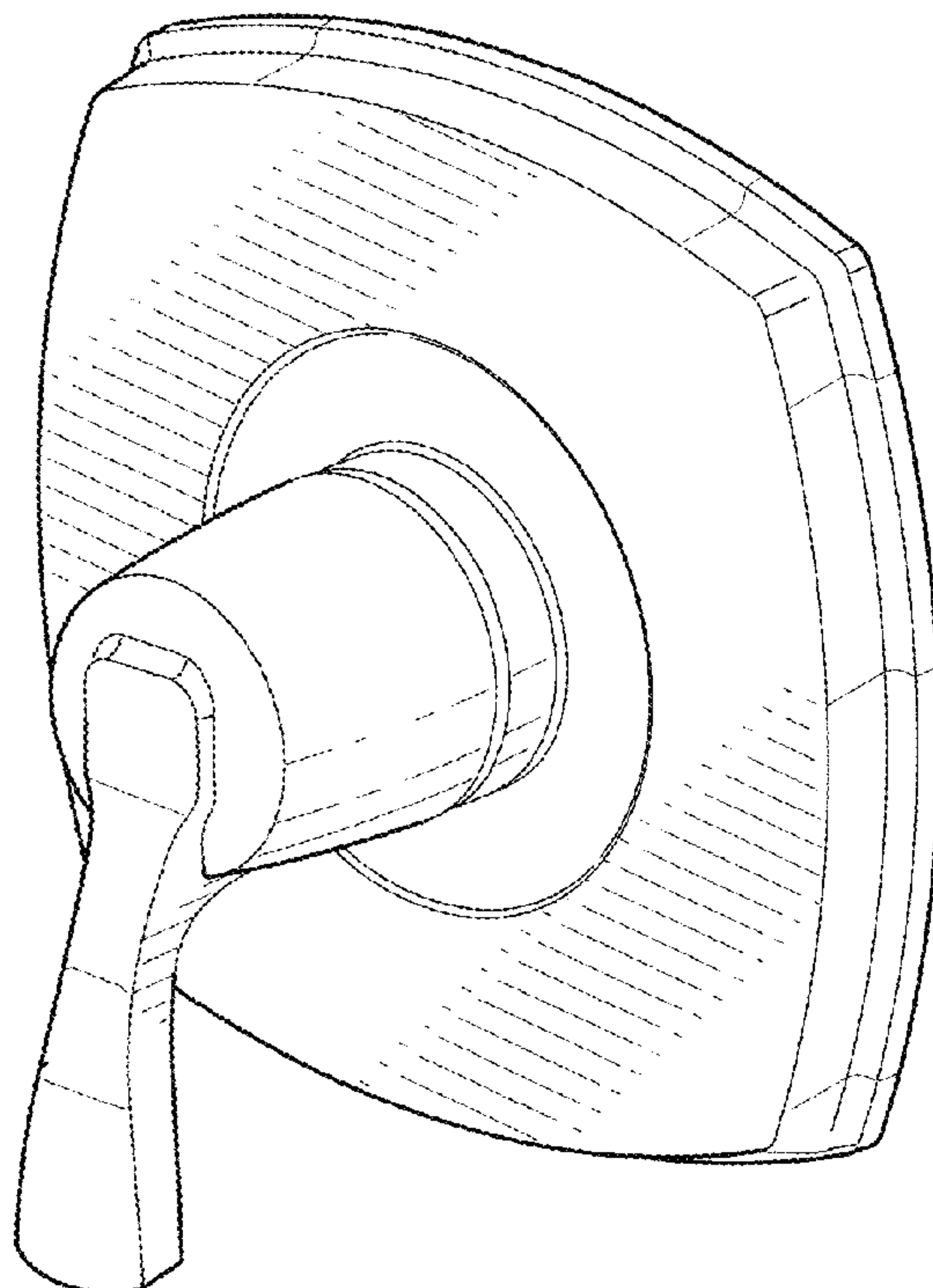
FIG. 4 is a bottom view thereof;

FIG. 5 is a right side view thereof, the opposite side being a mirror image of the side shown; and,

FIG. 6 is a rear view thereof.

The broken line showing of a hole on the rear side is included for the purpose of illustrating the valve and forms no part of the claimed design.

1 Claim, 3 Drawing Sheets



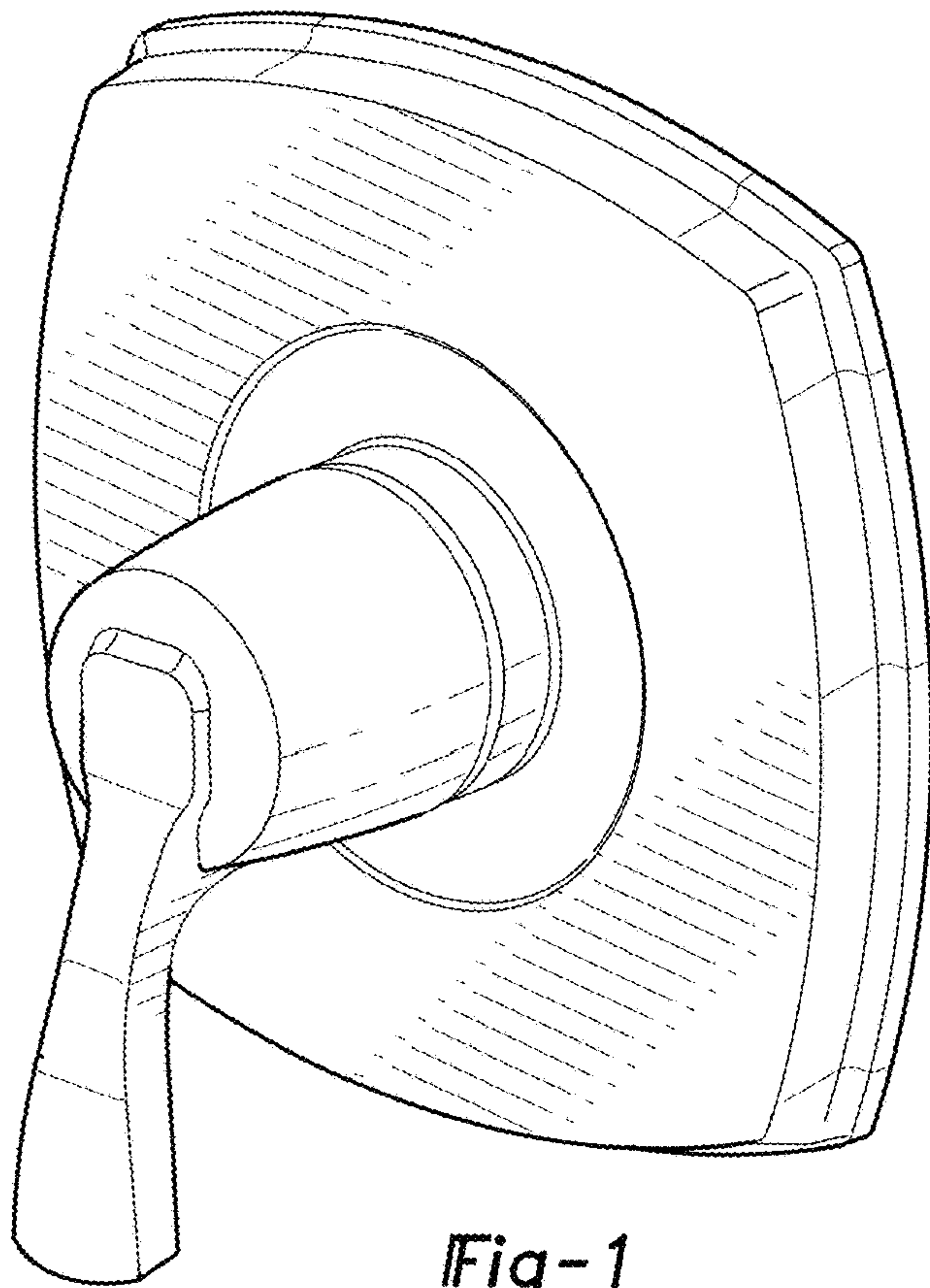


Fig-1

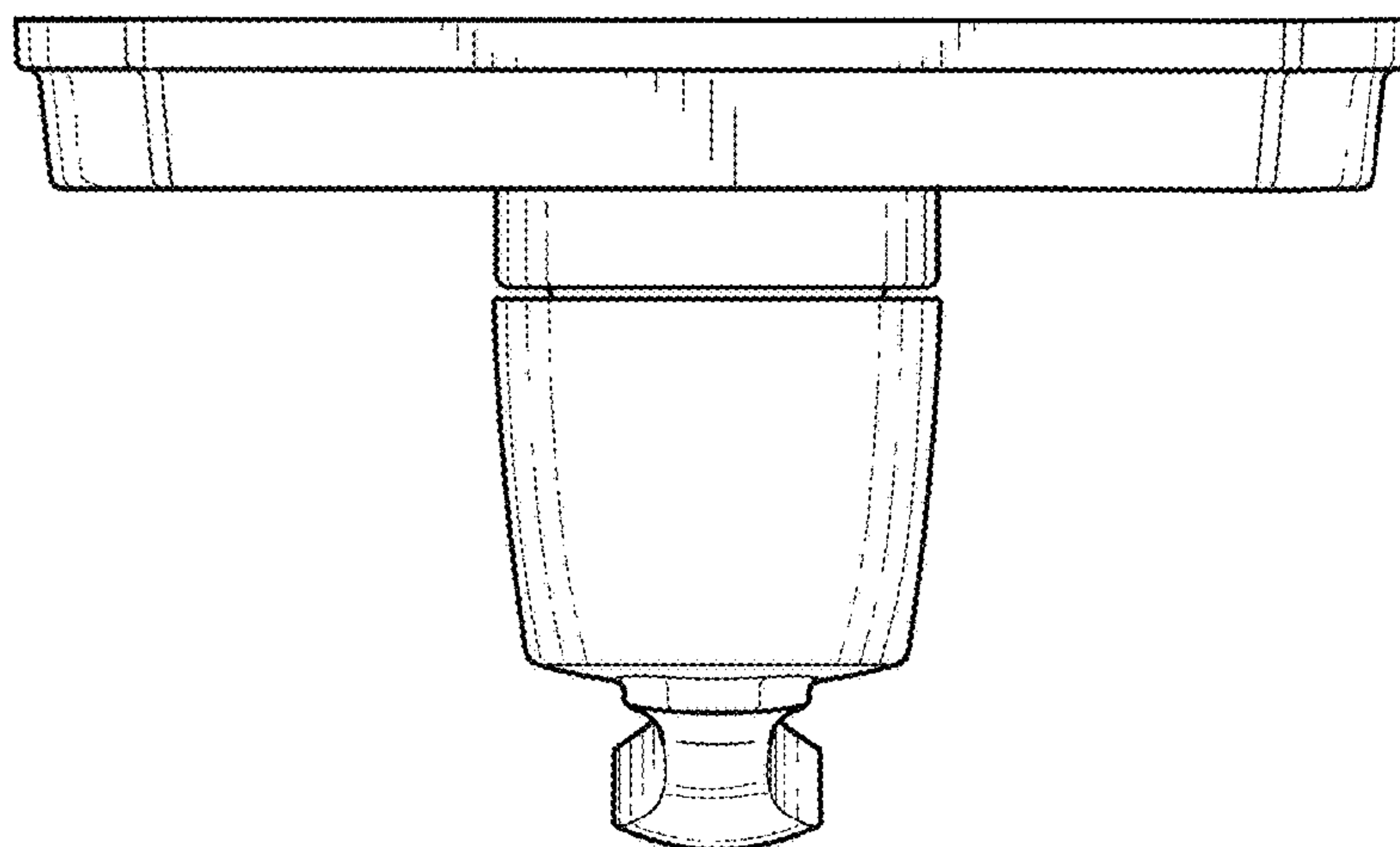


Fig-2

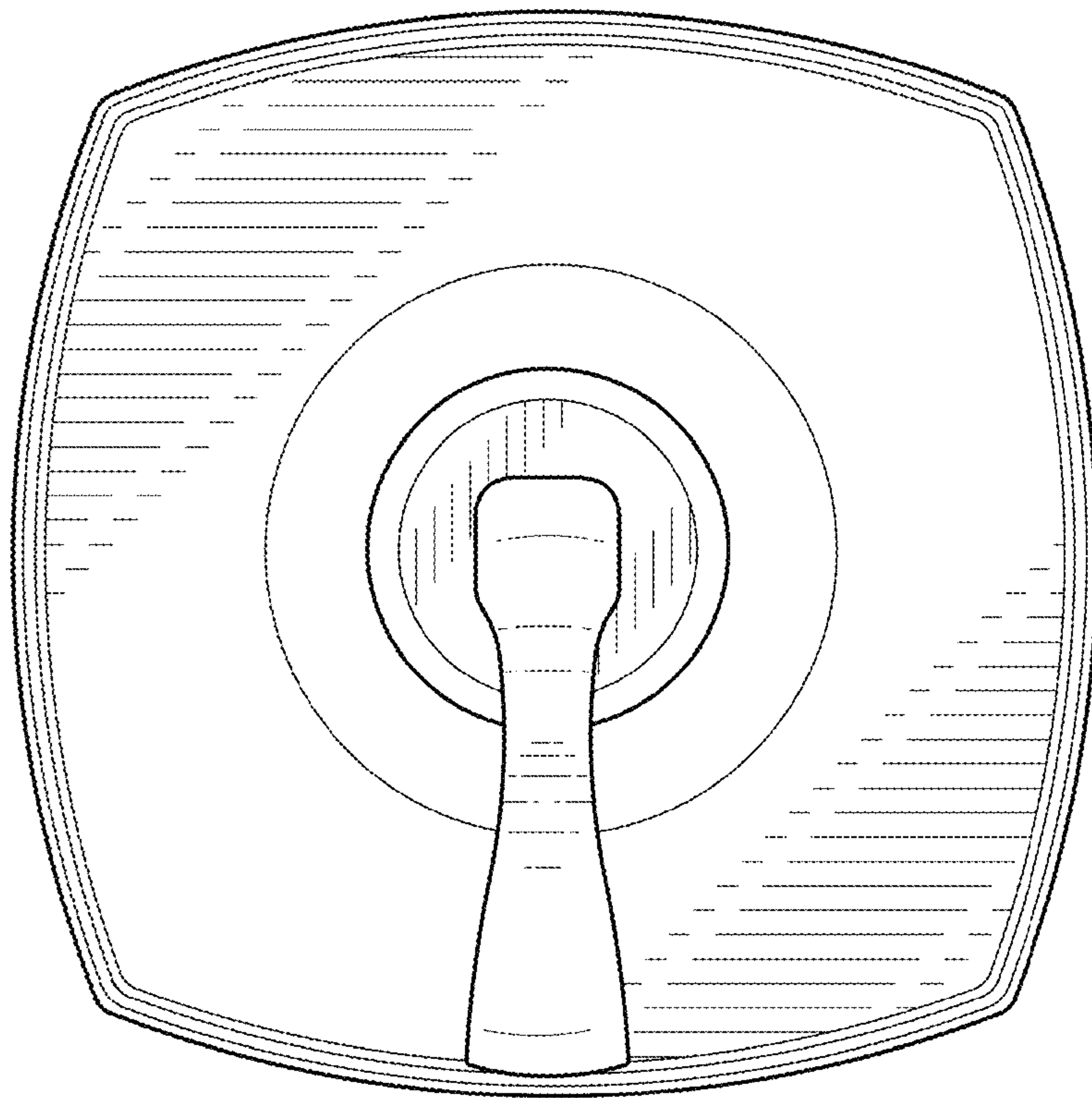


Fig-3

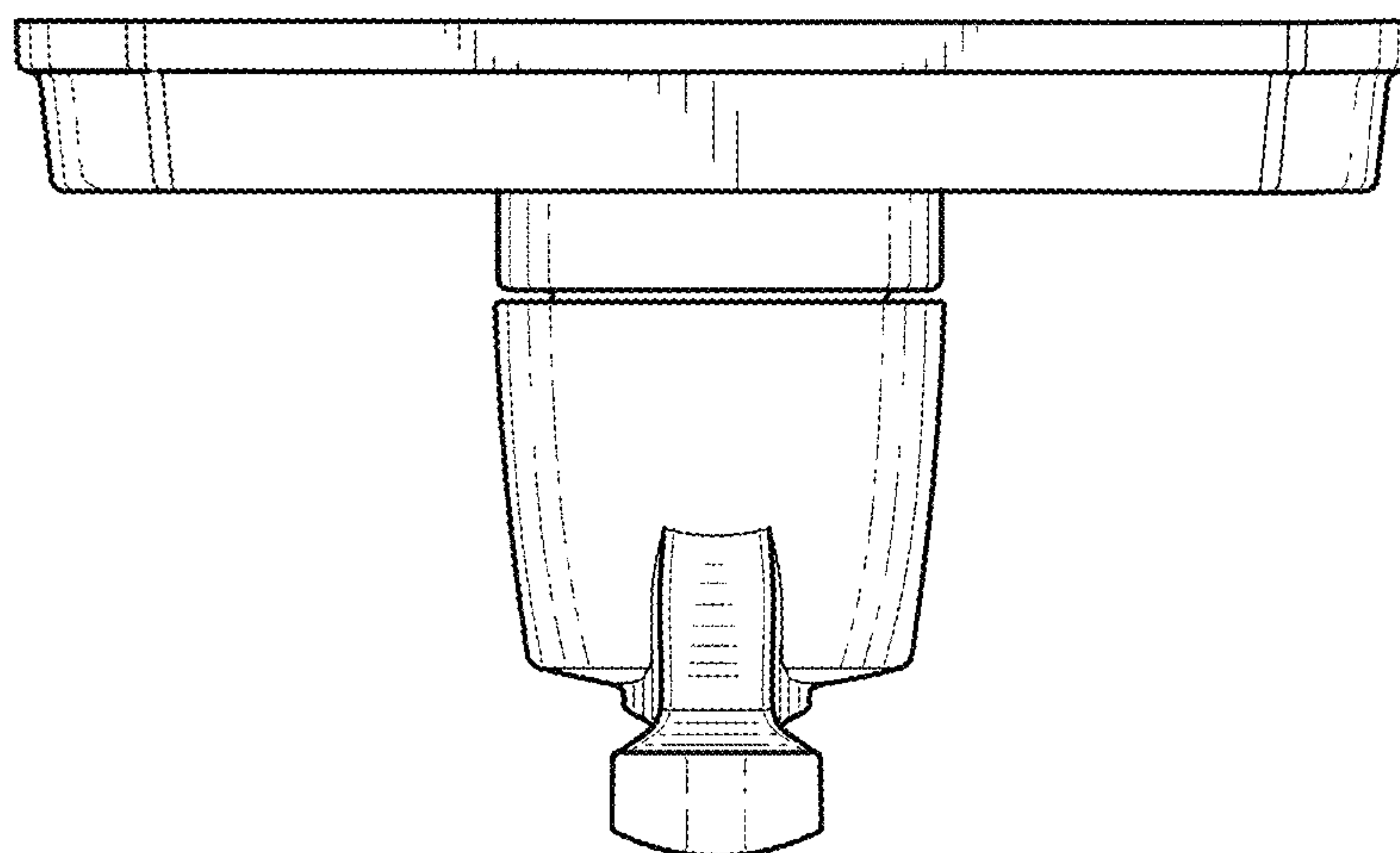


Fig-4

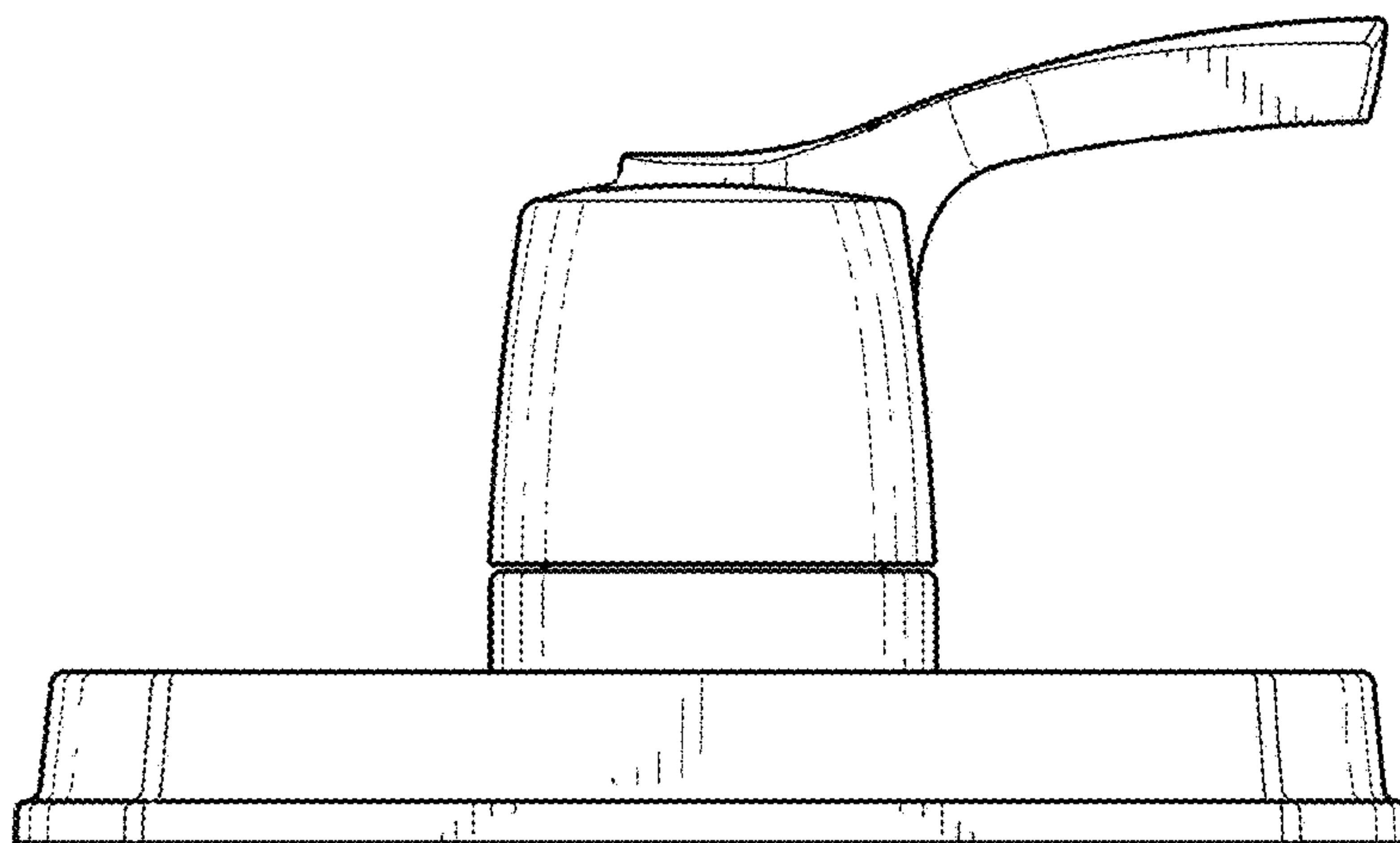


Fig-5

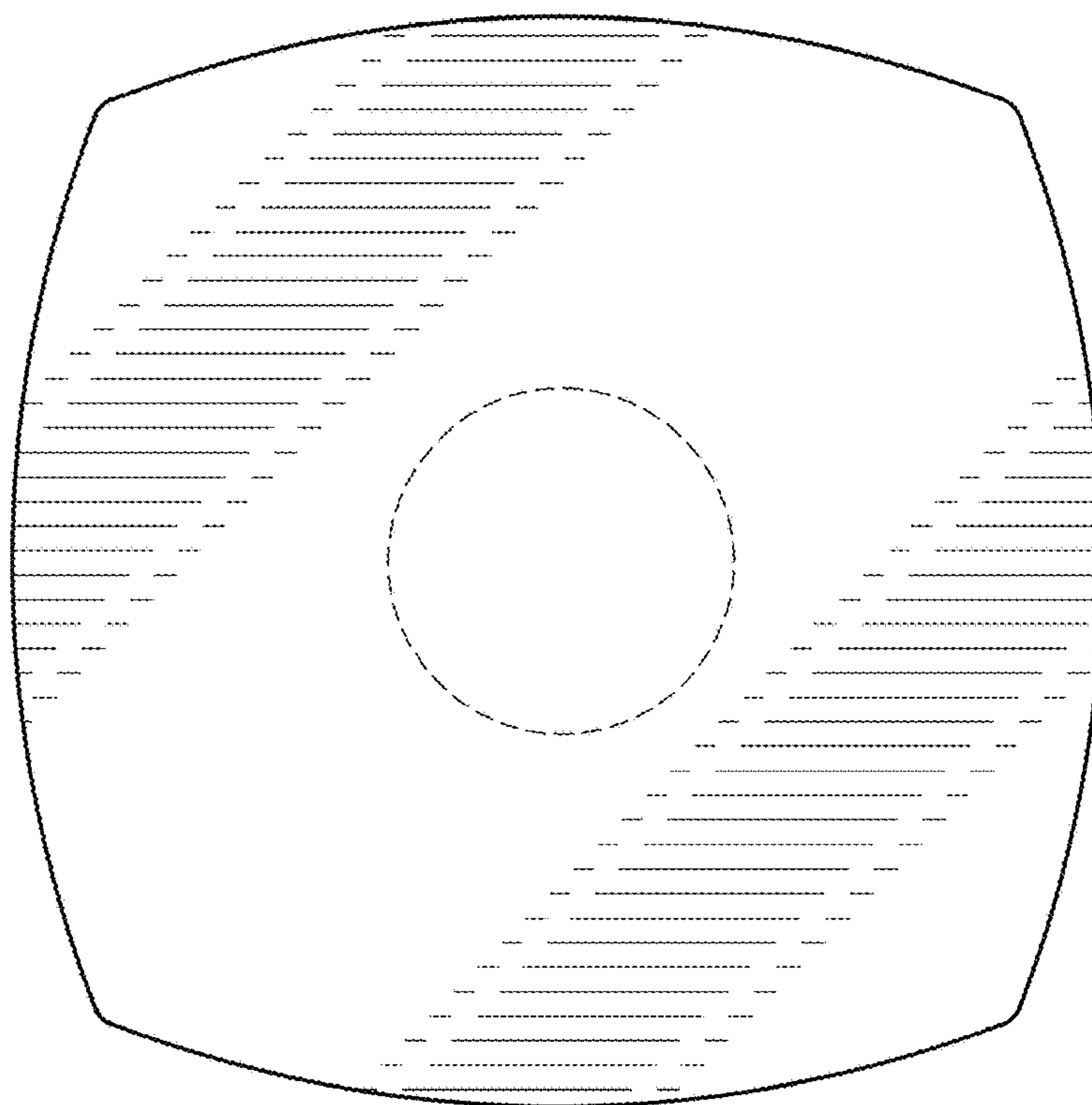


Fig-6