

US00D826381S

(12) **United States Design Patent** (10) **Patent No.:** **US D826,381 S**
Bian (45) **Date of Patent:** **** Aug. 21, 2018**

(54) **SANITARY OUTLET VALVE**
 (71) Applicant: **NEOPERL GMBH**, Müllheim (DE)
 (72) Inventor: **Yichao Bian**, Müllheim-Hügelheim (DE)
 (73) Assignee: **Neoperl GmbH**, Müllheim (DE)
 (**) Term: **15 Years**
 (21) Appl. No.: **35/501,892**

D594,530 S * 6/2009 Bonnell D23/233
 D599,434 S * 9/2009 Stenberg D23/233
 D602,564 S * 10/2009 Nimberger D23/233
 D606,167 S * 12/2009 Nimberger D23/233
 D647,596 S * 10/2011 Bonnell D23/233
 D692,534 S * 10/2013 Fangmeier D23/233
 D707,795 S * 6/2014 Huang D23/233
 D721,789 S * 1/2015 Lu D23/237
 D725,747 S * 3/2015 Alexander D23/233
 D728,072 S * 4/2015 Alexander D23/233
 D739,919 S * 9/2015 Alexander D23/233
 9,353,742 B2 * 5/2016 Herman F04B 53/1002
 9,611,980 B2 * 4/2017 Herman F16N 23/00

* cited by examiner

(22) Filed: **Oct. 31, 2016**

(80) **Hague Agreement Data**

Int. Filing Date: **Oct. 31, 2016**
 Int. Reg. No.: **DM/093277**
 Int. Reg. Date: **Oct. 31, 2016**
 Int. Reg. Pub. Date: **Nov. 11, 2016**

Primary Examiner — Richard E Chilcot

(74) *Attorney, Agent, or Firm* — Volpe and Koenig, P.C.

(51) **LOC (11) Cl.** **23-01**

(52) **U.S. Cl.**
 USPC **D23/233**
 CPC **F16K 1/00** (2013.01)

(57) **CLAIM**

The ornamental design for a sanitary outlet valve, as shown and described.

(58) **Field of Classification Search**
 USPC D23/233–269; D15/5, 7;
 137/15.04–15.08, 7, 515, 843, 859, 332,
 137/529
 CPC . F16K 1/00; F16K 15/00; F16K 15/18; F16K
 15/026; F16K 15/044
 See application file for complete search history.

DESCRIPTION

- 3. Sanitary outlet valve
- 3.1 : Top
- 3.2 : Perspective
- 3.3 : Bottom
- 3.4 : Perspective
- 3.5 : Front
- 3.6 : Right
- 3.7 : Back
- 3.8 : Left

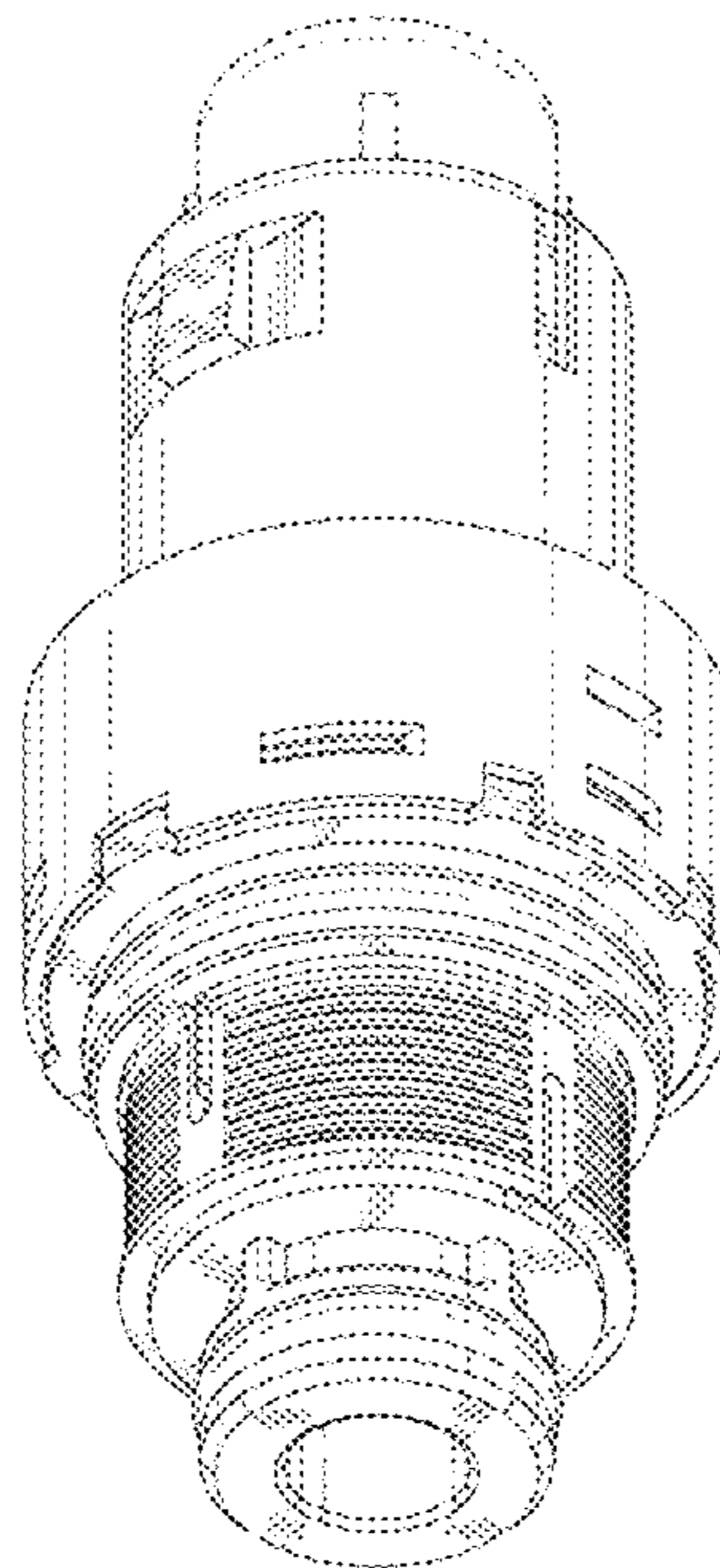
The broken lines shown in the figures are included for the purpose of illustrating portions of the sanitary outlet valve and form no part of the claimed design.

(56) **References Cited**

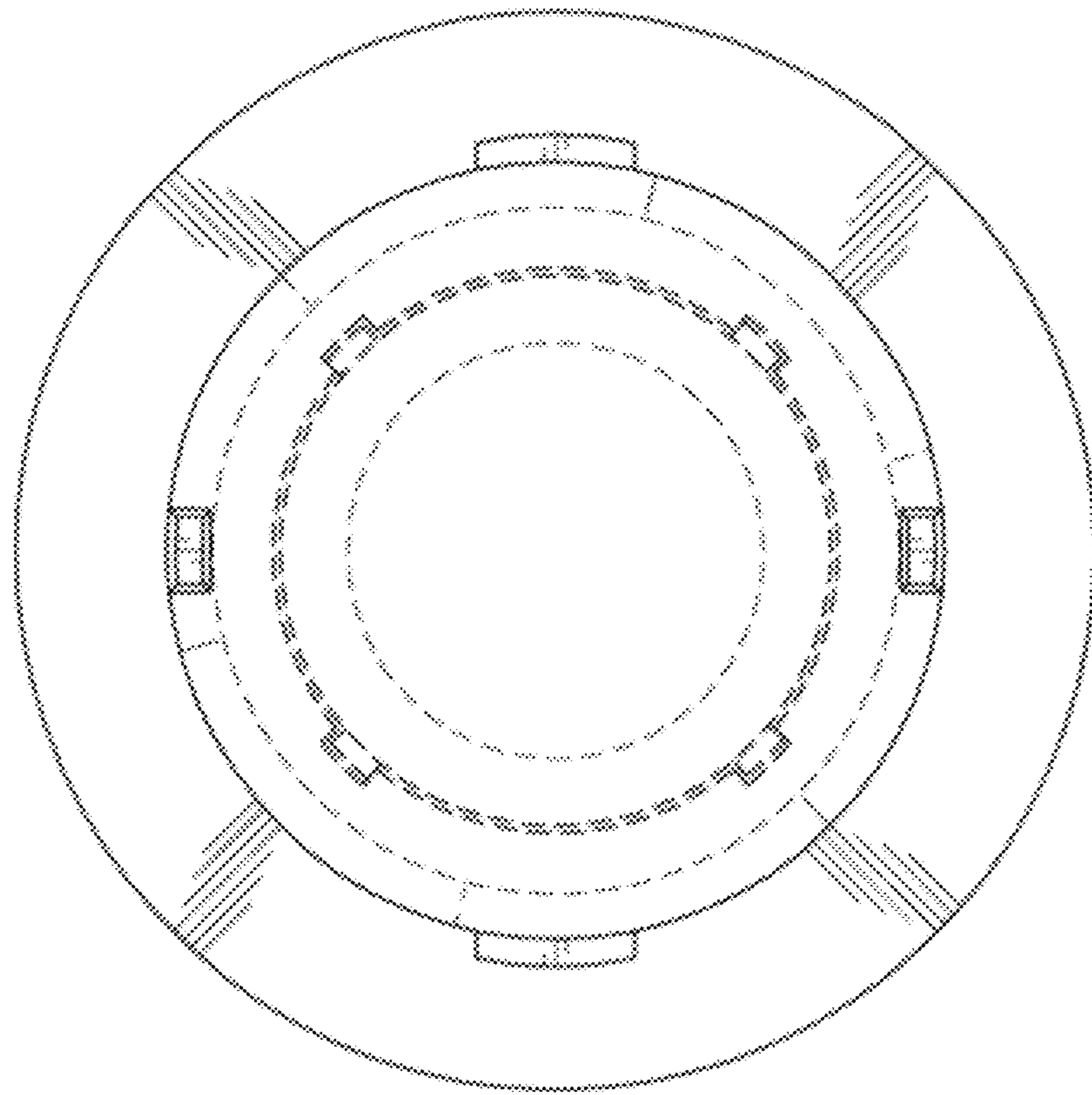
U.S. PATENT DOCUMENTS

D370,963 S * 6/1996 Daansen D23/235
 D576,704 S * 9/2008 Gilcher D23/233

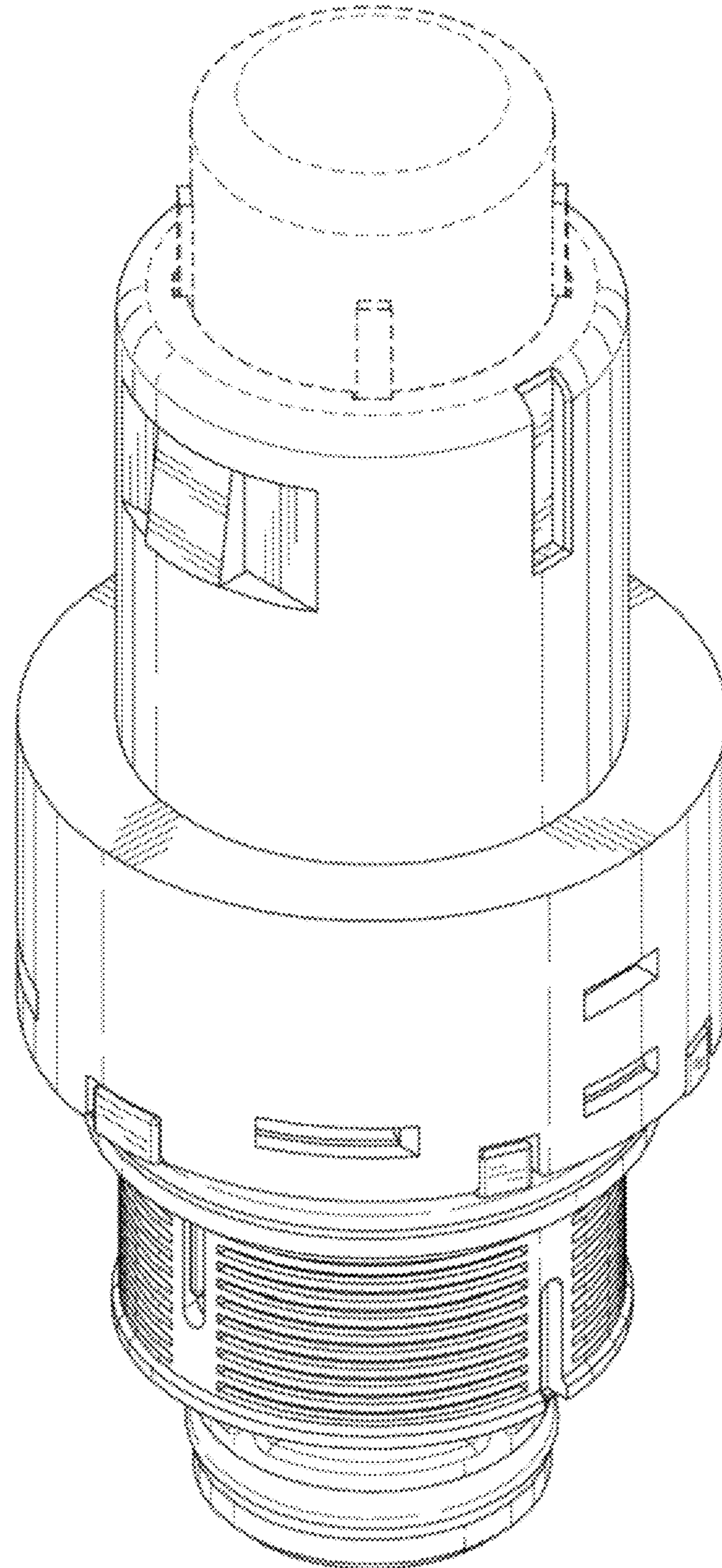
1 Claim, 8 Drawing Sheets



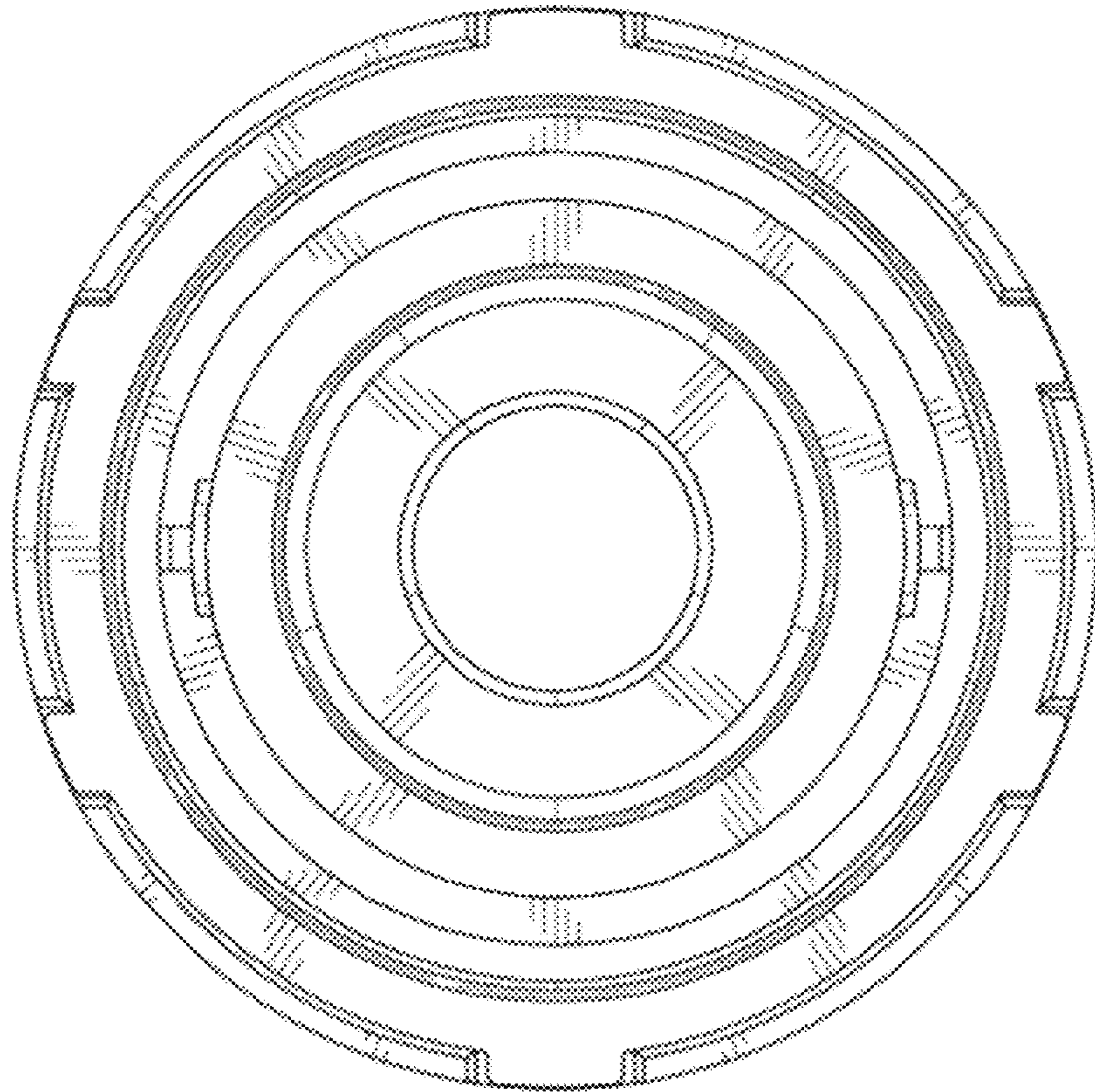
3.1



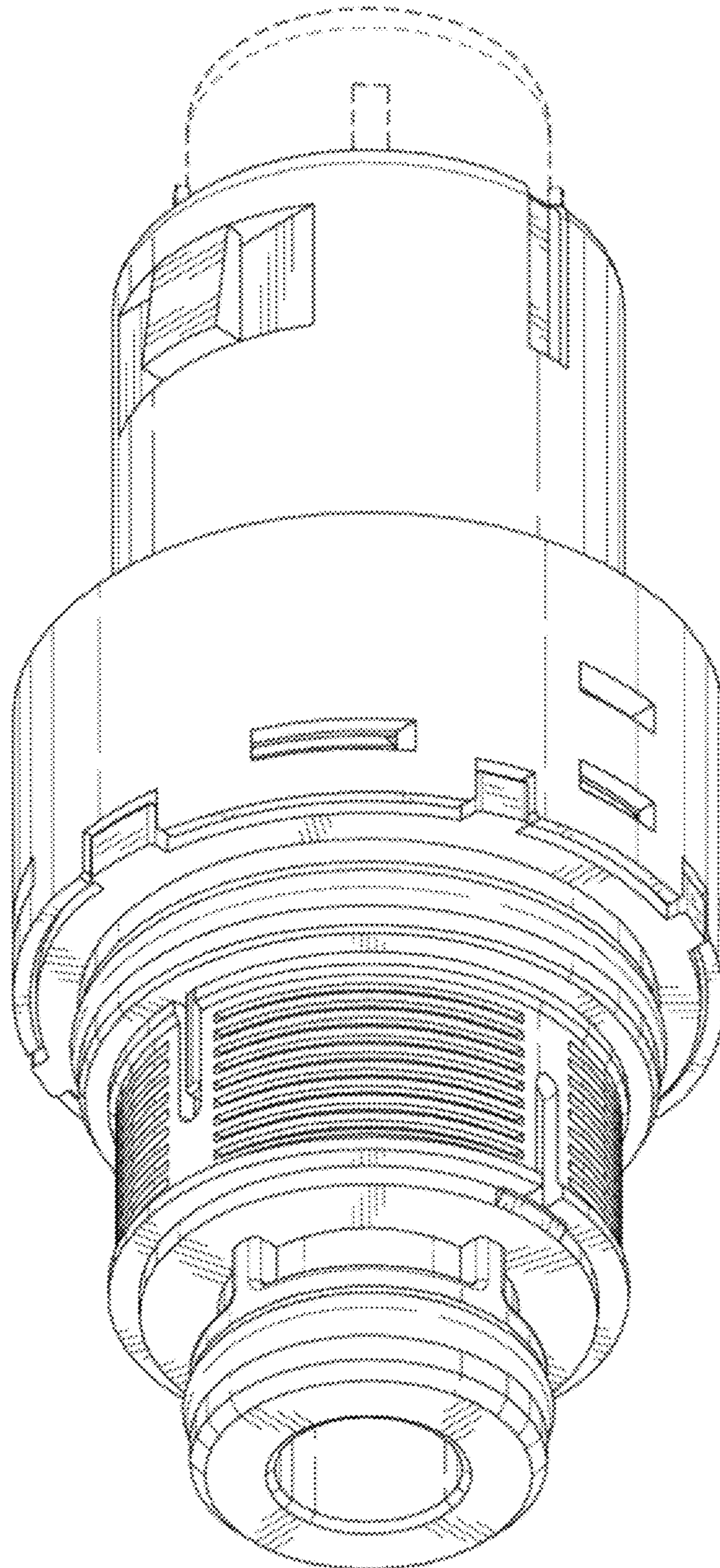
3.2



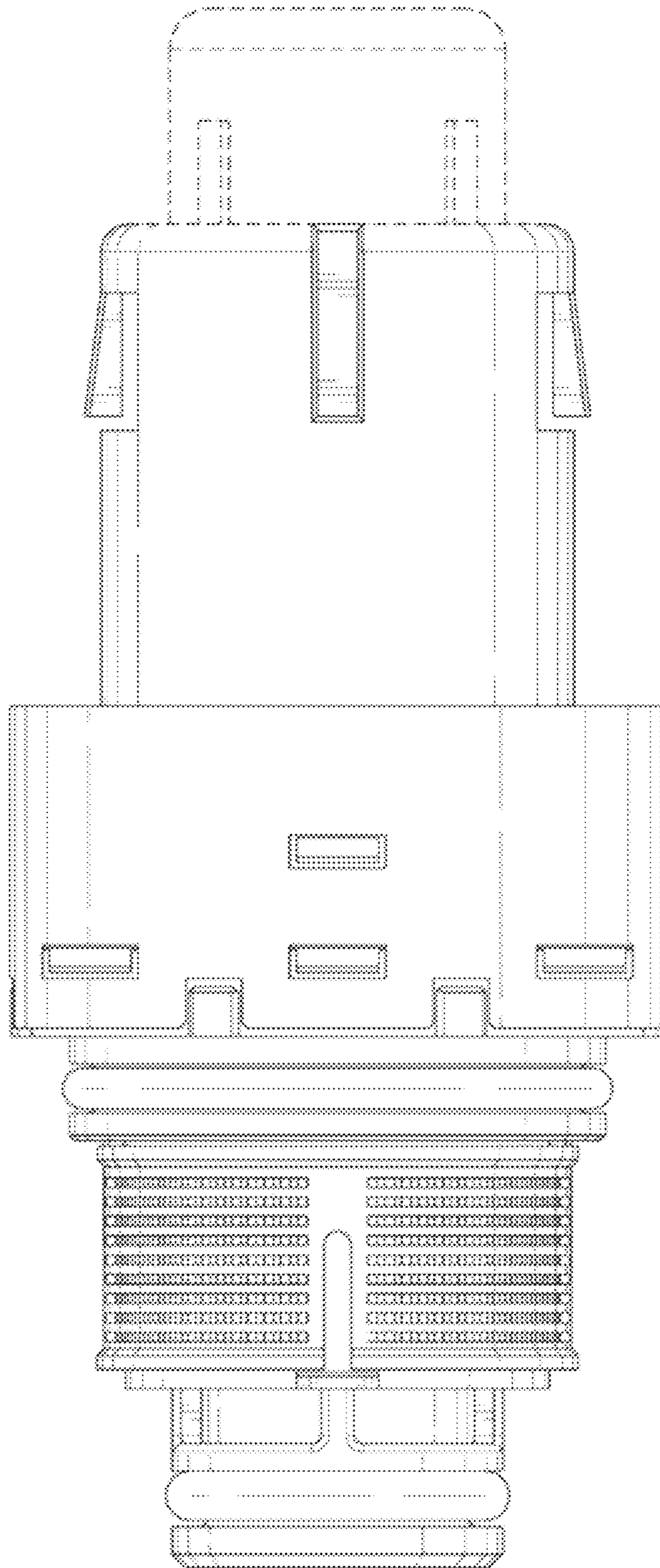
3.3



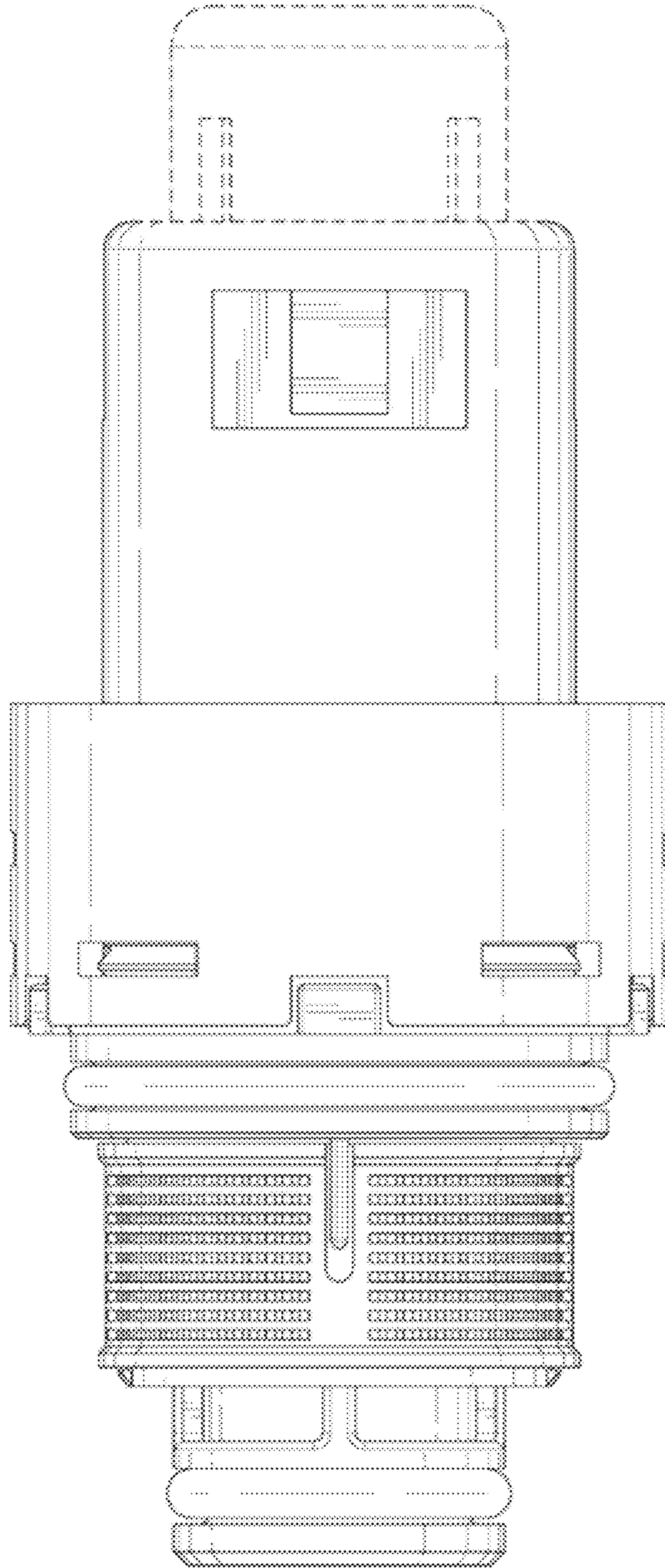
3.4



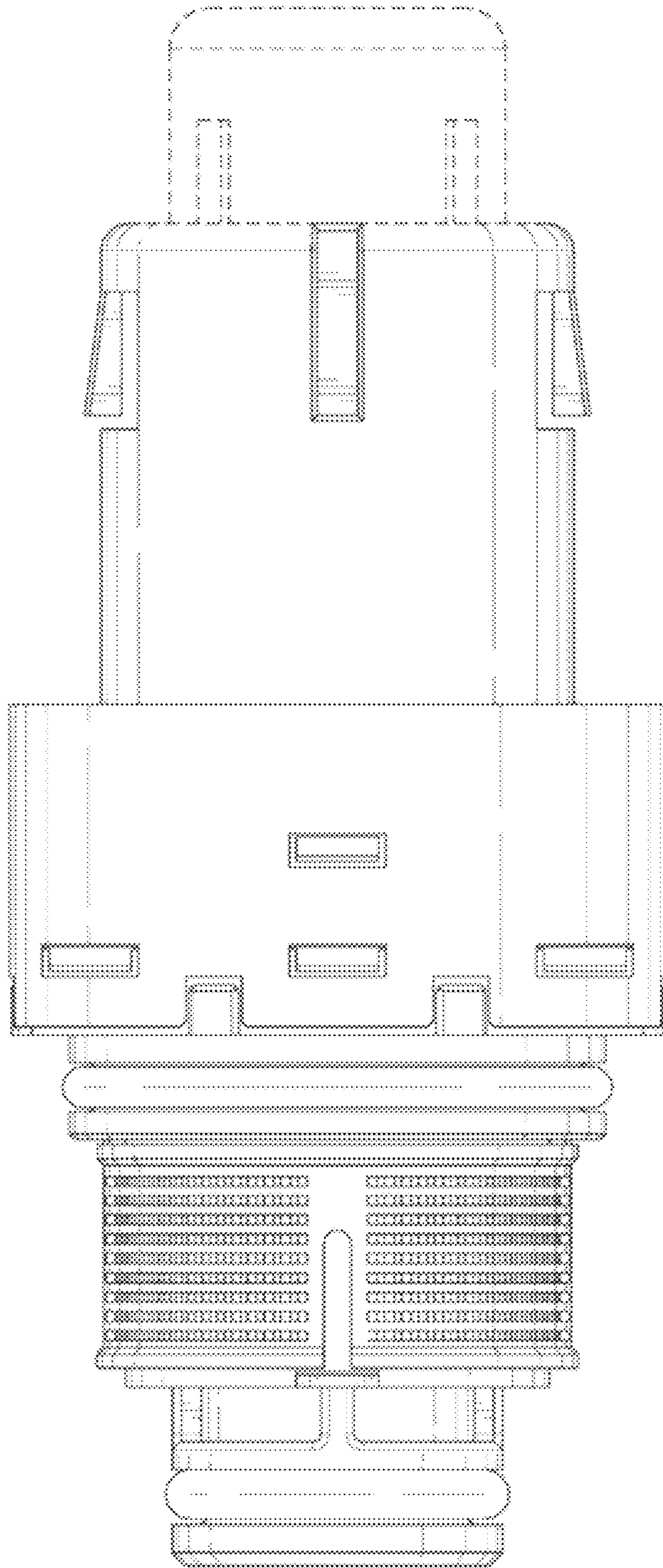
3.5



3.6



3.7



3.8

