



US00D826378S

(12) **United States Design Patent** (10) **Patent No.:** **US D826,378 S**
Hayakawa et al. (45) **Date of Patent:** **** Aug. 21, 2018**

(54) **EXPANSION VALVE**

(71) Applicant: **FUJIKOKI CORPORATION**, Tokyo (JP)

(72) Inventors: **Junya Hayakawa**, Tokyo (JP); **Hiroshi Yokota**, Tokyo (JP); **Ryo Matsuda**, Tokyo (JP)

(73) Assignee: **FUJIKOKI CORPORATION**, Tokyo (JP)

(**) Term: **15 Years**

(21) Appl. No.: **29/602,177**

(22) Filed: **Apr. 28, 2017**

(30) **Foreign Application Priority Data**

Nov. 1, 2016 (JP) 2016-023807

(51) **LOC (11) Cl.** **23-01**

(52) **U.S. Cl.**
USPC **D23/233**

(58) **Field of Classification Search**
USPC D23/233, 235, 241, 248, 249, 244, 245, D23/325; 62/528, 222, 527, 115, 197, 62/210, 223-225; 137/340, 625, 468
CPC F25B 41/062; F25B 2600/2513; F25B 2341/065; F25B 2341/068; F16K 31/002; F16K 31/02
See application file for complete search history.

(56) **References Cited**

U.S. PATENT DOCUMENTS

D415,564 S * 10/1999 Sendo D23/325
D649,222 S * 11/2011 Kobayashi D23/233

D683,816 S * 6/2013 Kobayashi D23/233
D701,292 S * 3/2014 Kaneko D23/233
D712,010 S * 8/2014 Okutsu D23/233
2012/0192970 A1* 8/2012 Kobayashi F25B 41/062
137/468
2017/0176067 A1* 6/2017 Satake F16K 1/14

* cited by examiner

Primary Examiner — Cynthia Ramirez

Assistant Examiner — Gino Colan

(74) *Attorney, Agent, or Firm* — Manabu Kanesaka

(57) **CLAIM**

The ornamental design for expansion valve, as shown and described.

DESCRIPTION

FIG. 1 is a first perspective view of an expansion valve showing our new design;
FIG. 2 is a second perspective view thereof;
FIG. 3 is a front view thereof;
FIG. 4 is a rear view thereof;
FIG. 5 is a right side view thereof, the left side view being a mirror image of FIG. 5;
FIG. 6 is a top view thereof; and,
FIG. 7 is a bottom view thereof.
The dashed broken lines shown in the figures are included for the purpose of illustrating portions of the expansion valve that form no part of the claimed design. The dash-dotted broken lines represent the bounds of the claimed design that form no part of the claimed design.

1 Claim, 7 Drawing Sheets

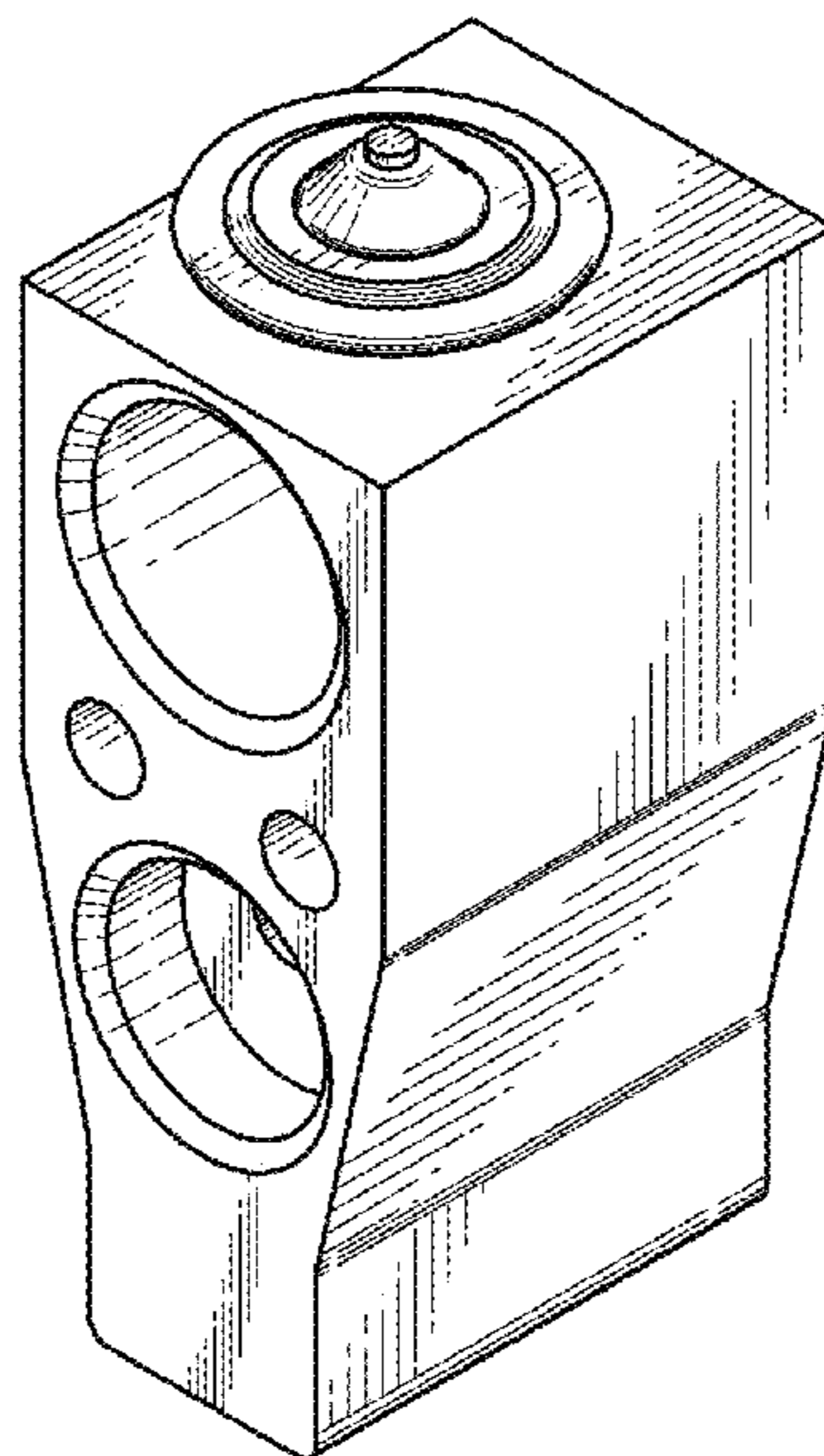


Fig. 1

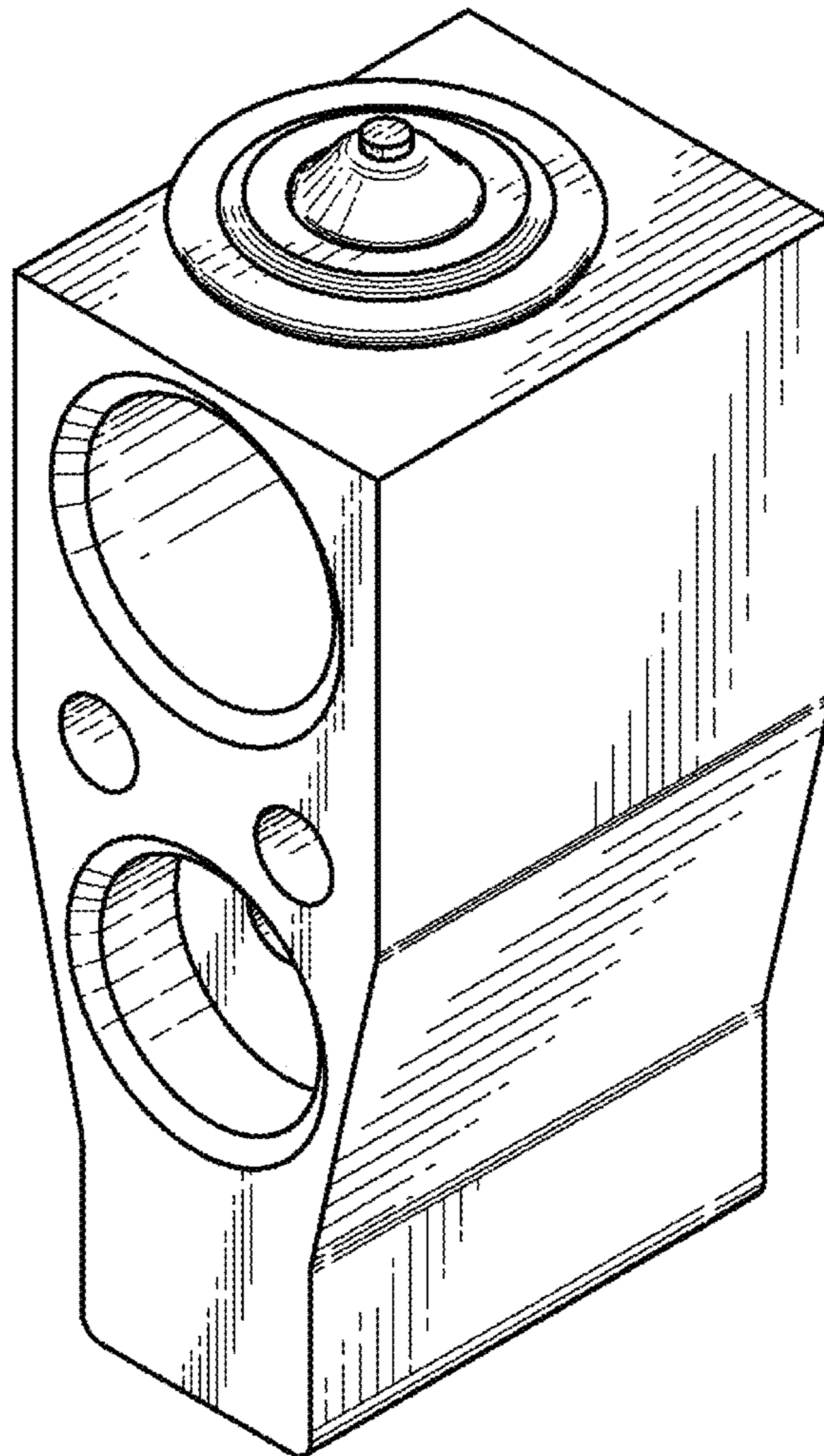


Fig. 2

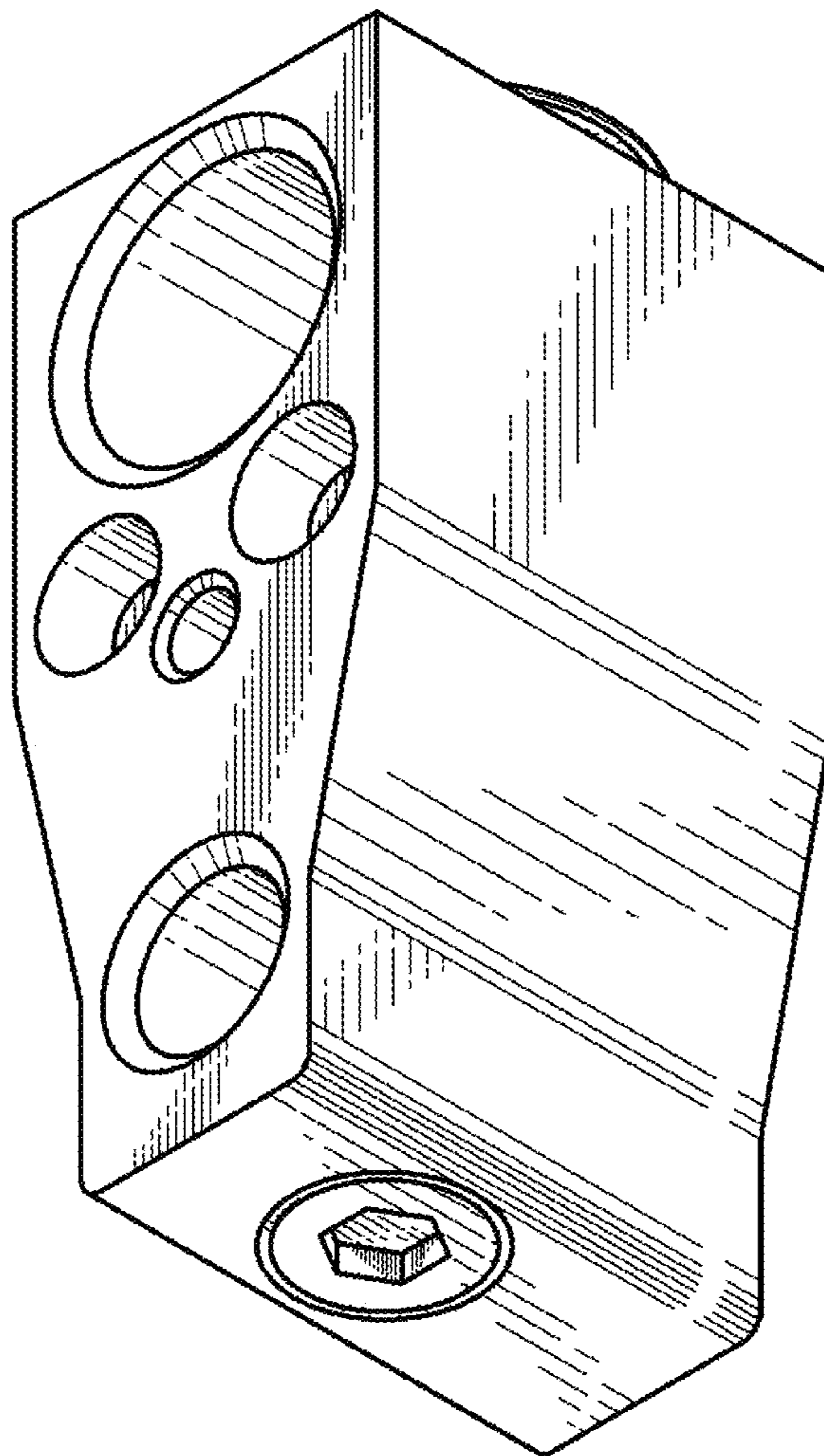


FIG. 3

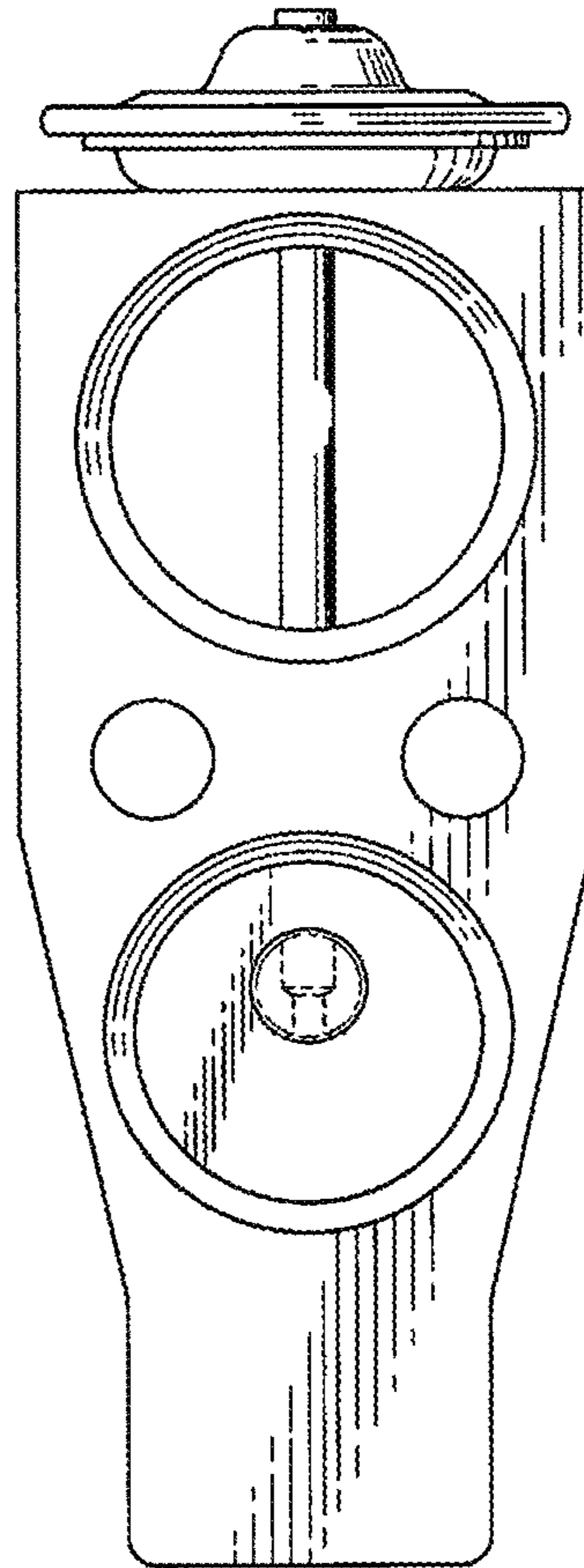


FIG. 4

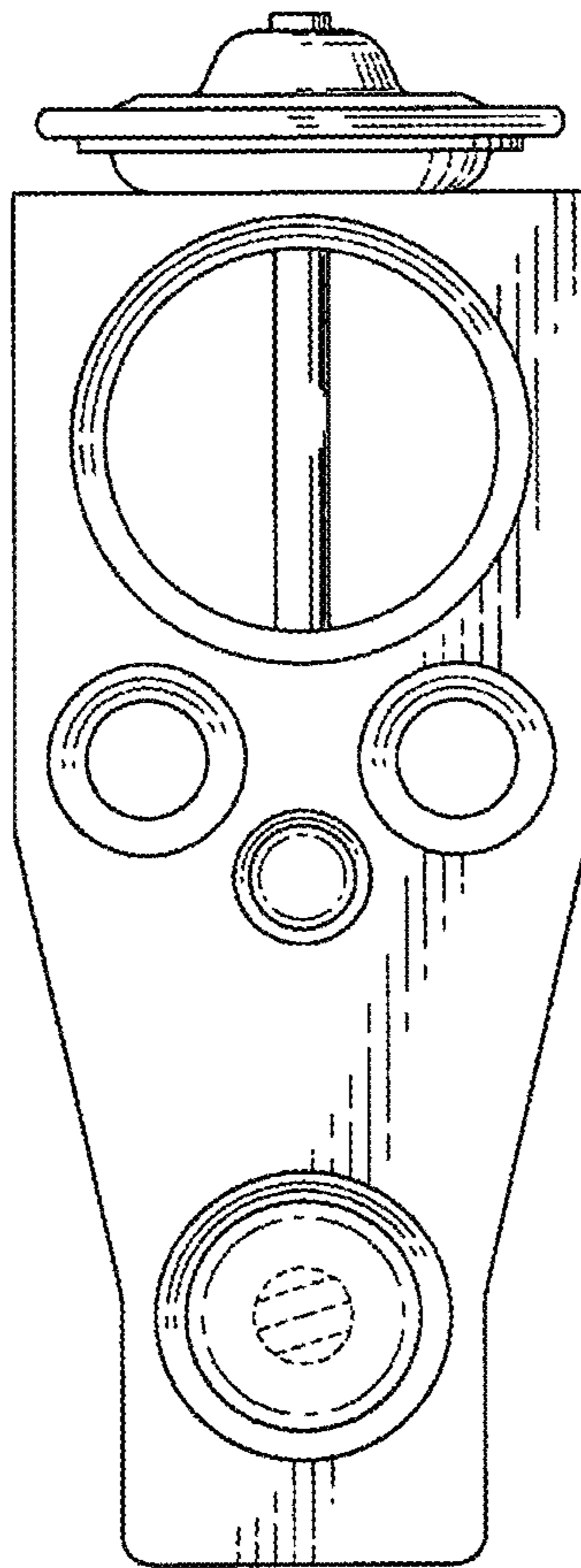


Fig. 5

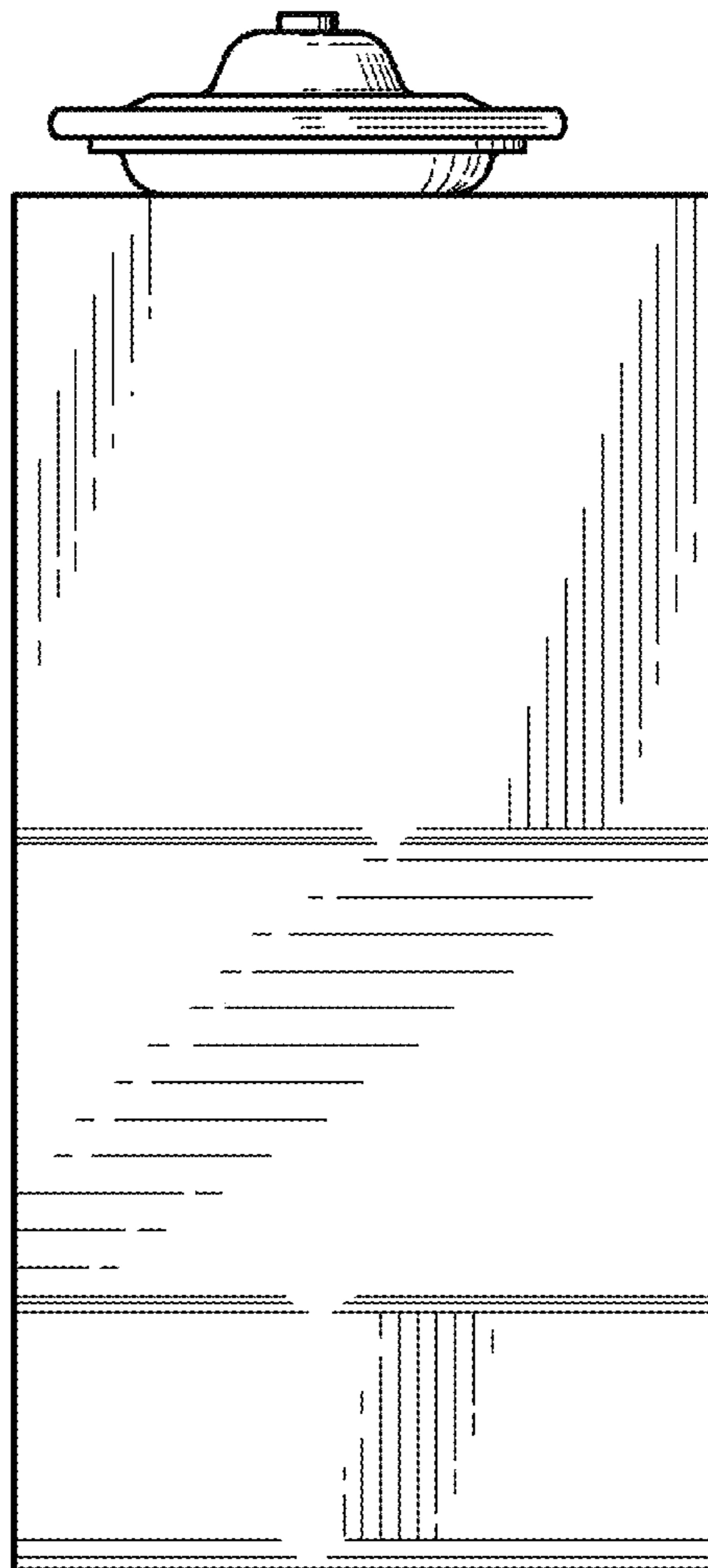


Fig. 6

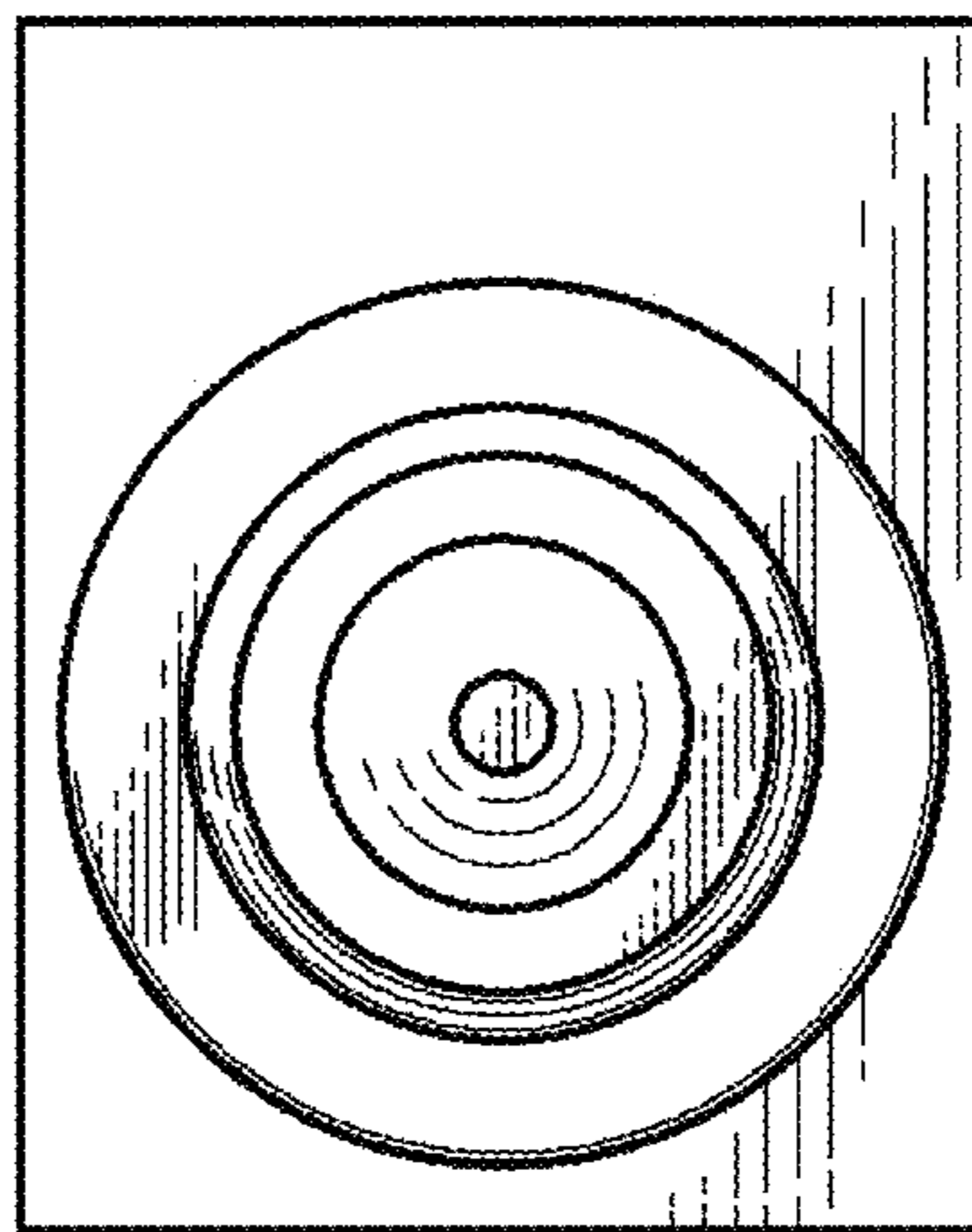


Fig. 7

