



US00D826377S

(12) **United States Design Patent**  
**Karibe**

(10) **Patent No.:** **US D826,377 S**

(45) **Date of Patent:** **\*\* Aug. 21, 2018**

(54) **SOLENOID VALVE**

(71) Applicant: **SMC CORPORATION**, Tokyo (JP)

(72) Inventor: **Takeshi Karibe**, Joso (JP)

(73) Assignee: **SMC CORPORATION**, Tokyo (JP)

(\*\*) Term: **15 Years**

(21) Appl. No.: **29/599,927**

(22) Filed: **Apr. 7, 2017**

(30) **Foreign Application Priority Data**

Oct. 10, 2016 (EM) ..... 003413343

(51) **LOC (11) Cl.** ..... **23-01**

(52) **U.S. Cl.**  
USPC ..... **D23/233**

(58) **Field of Classification Search**  
USPC ..... D10/49; D23/233-237, 244-249  
CPC .. F02M 51/0685; F02M 61/168; F16K 31/02;  
F16K 31/048; F16K 31/0631; F16K  
31/0675; F16K 31/082; F16K 27/029;  
F16K 11/24

See application file for complete search history.

(56) **References Cited**

**U.S. PATENT DOCUMENTS**

6,425,416 B1 \* 7/2002 Narita ..... F15B 13/0825  
137/625.27  
D609,307 S \* 2/2010 Moriyama ..... D23/233  
D615,618 S \* 5/2010 Someya  
D639,392 S \* 6/2011 Yamada ..... D23/233  
D667,930 S \* 9/2012 Yamada ..... D23/233  
D686,696 S \* 7/2013 Lai ..... D23/233  
D695,380 S \* 12/2013 Tamura ..... D23/233  
D724,697 S \* 3/2015 Johnson ..... D23/233  
D738,463 S \* 9/2015 Yoshida ..... D23/233

D738,464 S 9/2015 Yoshida et al.  
D738,465 S 9/2015 Yoshida et al.  
D738,466 S 9/2015 Yoshida et al.  
D753,268 S \* 4/2016 Nishimura ..... D23/233  
D754,292 S \* 4/2016 Mangold ..... D23/233  
D760,352 S \* 6/2016 Mangold ..... D23/233  
2004/0227119 A1 \* 11/2004 Mills ..... F16K 31/0631  
251/129.14  
2006/0284131 A1 \* 12/2006 Cripps ..... F16K 31/06  
251/129.15  
2015/0108382 A1 \* 4/2015 Svensson ..... F16K 31/02  
251/129.19  
2017/0356395 A1 \* 12/2017 Lee ..... F02M 25/0836

**FOREIGN PATENT DOCUMENTS**

JP D635374-2 S 3/1985  
JP D635374-3 S 3/1985

\* cited by examiner

*Primary Examiner* — Selina Sikder

(74) *Attorney, Agent, or Firm* — Birch, Stewart, Kolasch & Birch, LLP

(57) **CLAIM**

The ornamental design for a solenoid valve, as shown.

**DESCRIPTION**

FIG. 1 is a front, top and left side perspective view of a solenoid valve showing my new design;  
FIG. 2 is a rear, bottom and right side perspective view thereof;  
FIG. 3 is a front view thereof;  
FIG. 4 is a rear view thereof;  
FIG. 5 is a top plan view thereof;  
FIG. 6 is a bottom plan view thereof;  
FIG. 7 is a left side view thereof; and,  
FIG. 8 is a right side view thereof.

**1 Claim, 8 Drawing Sheets**

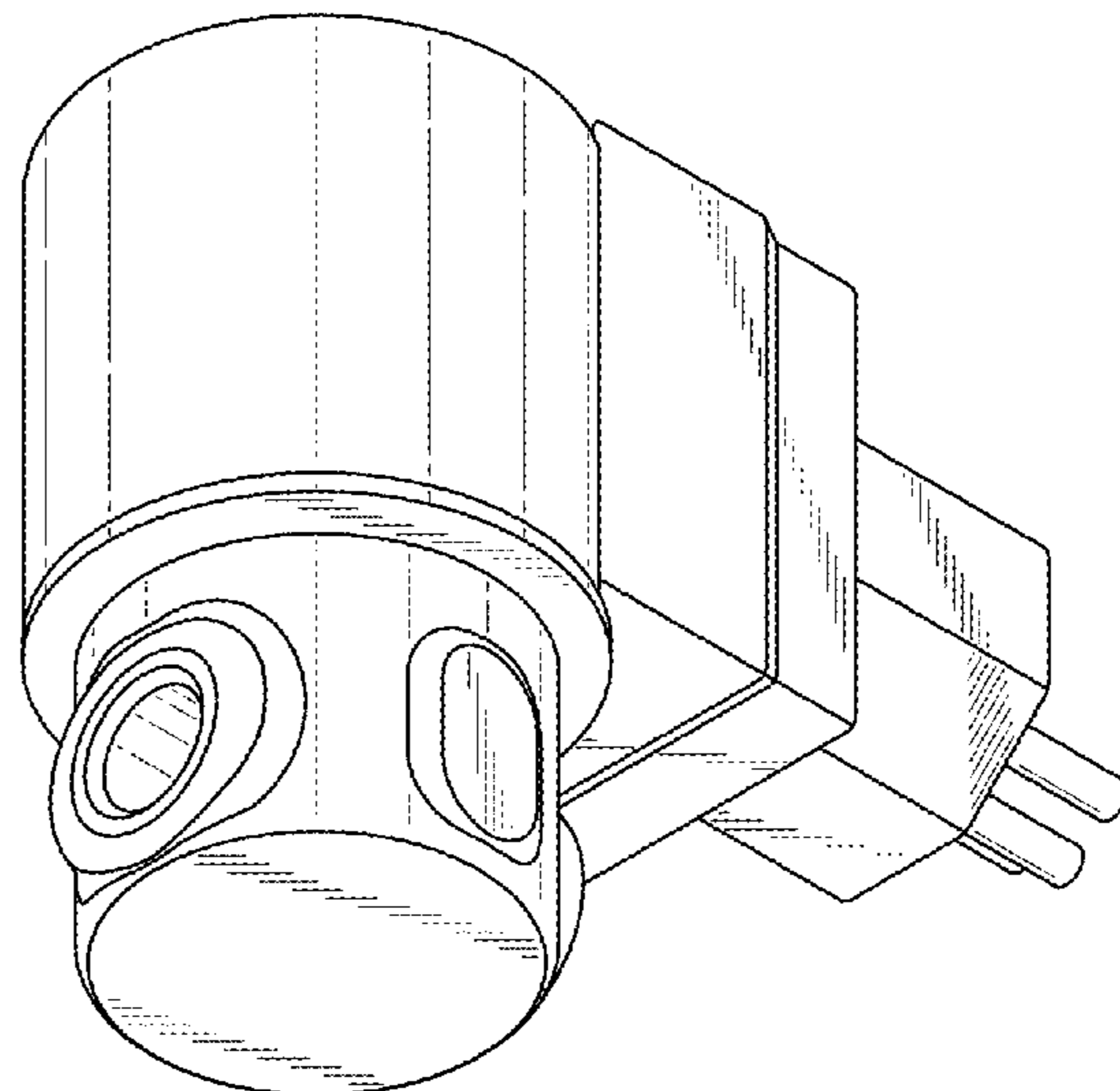
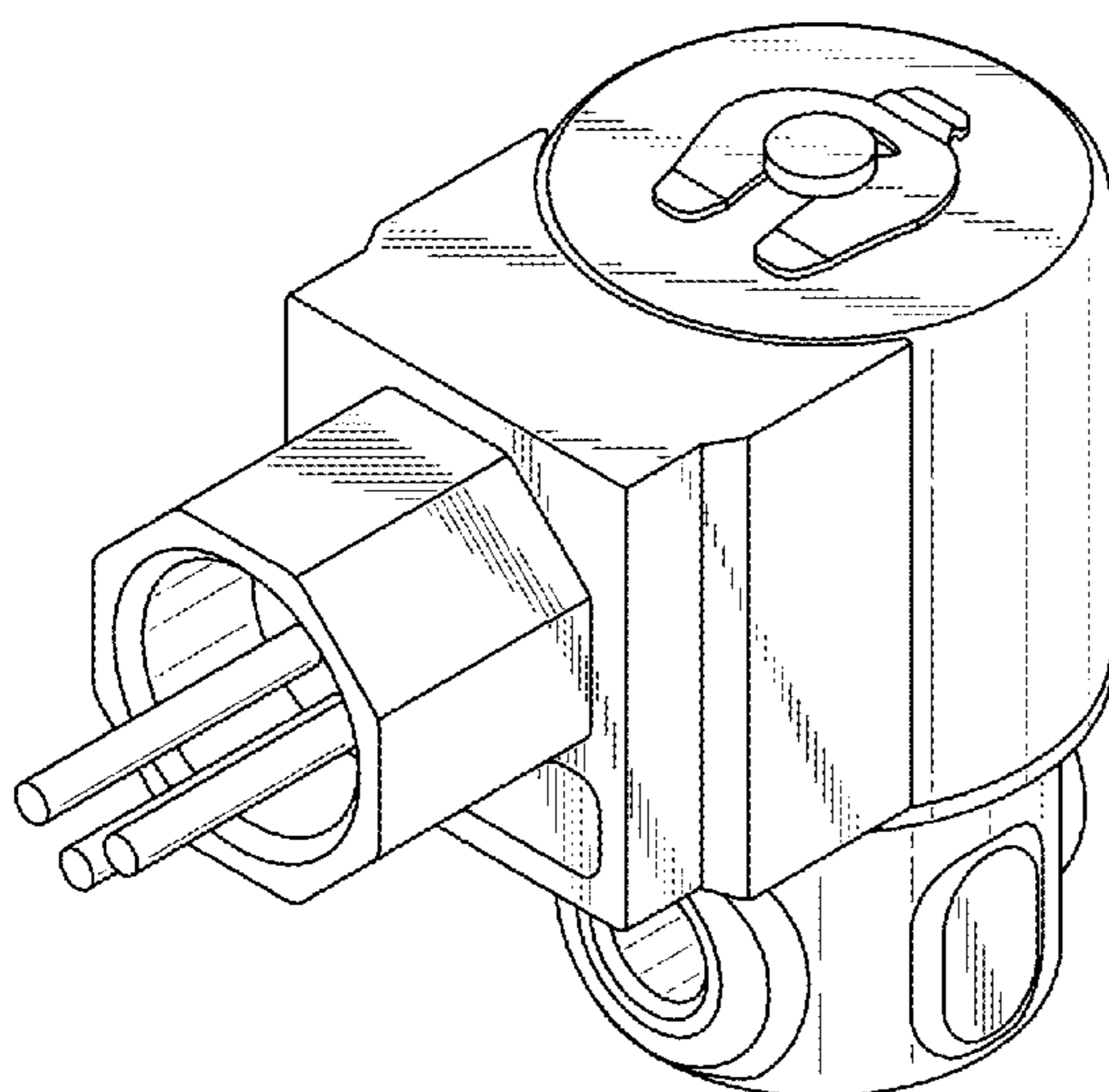


FIG. 1

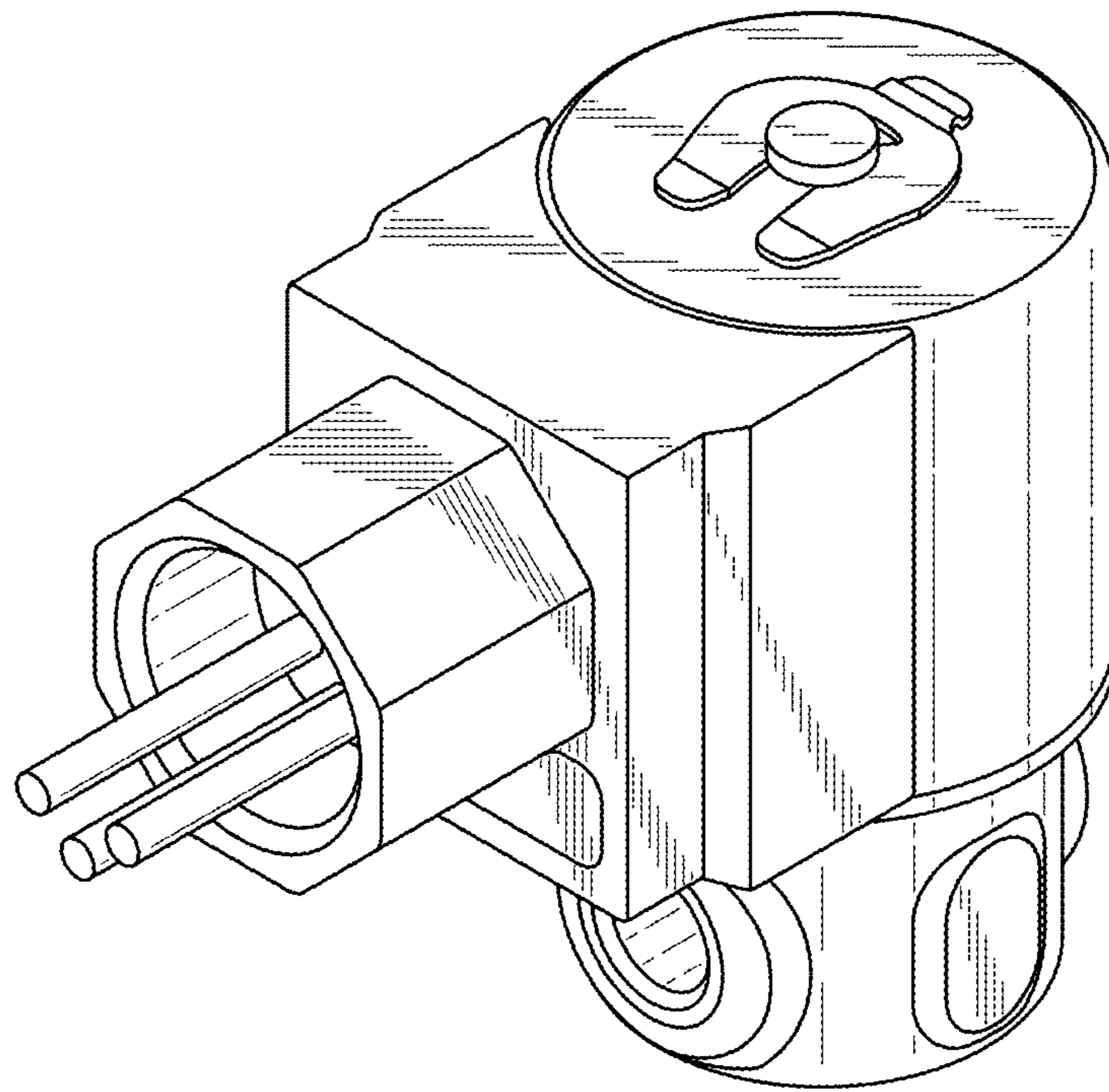


FIG. 2

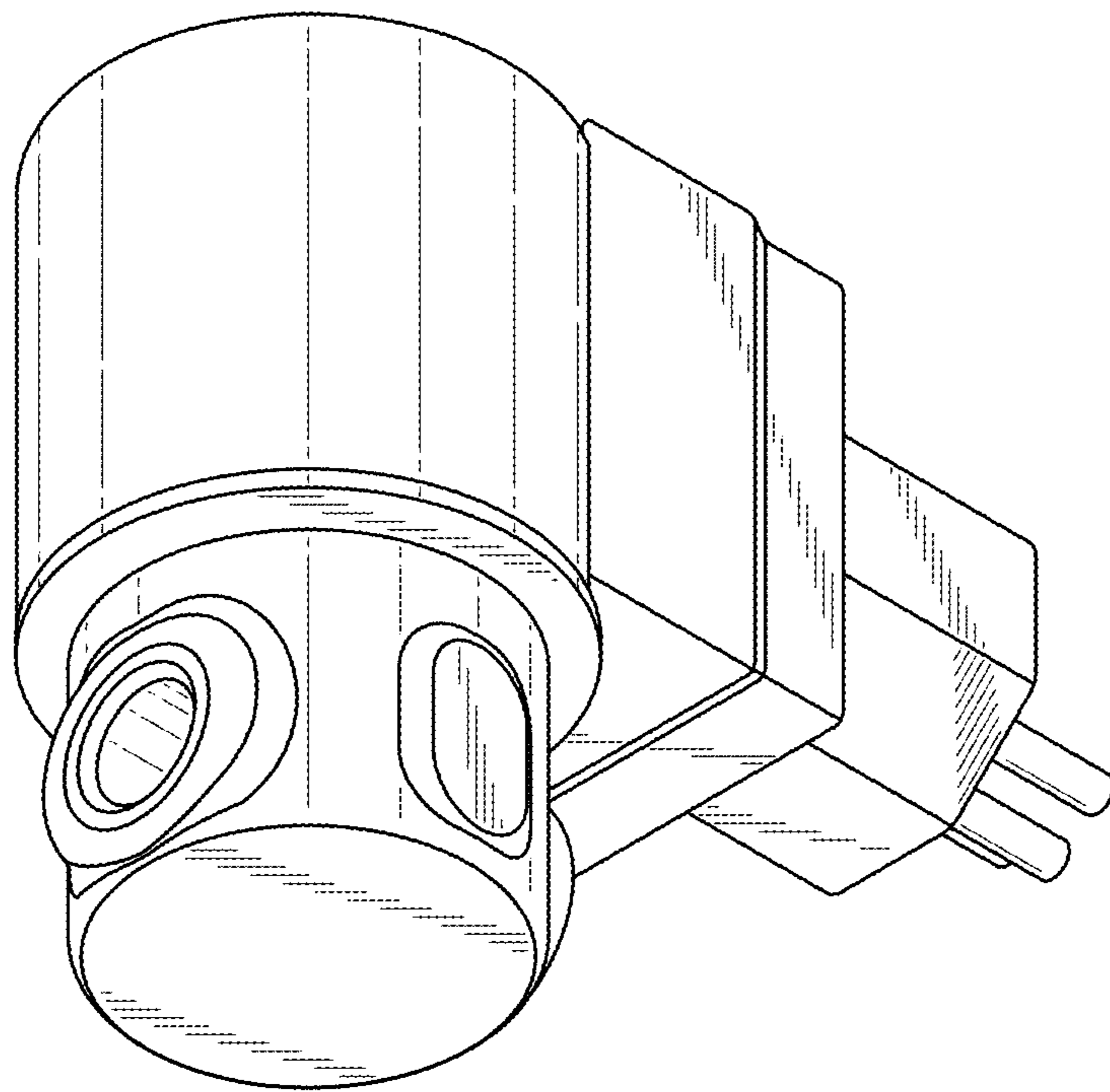


FIG. 3

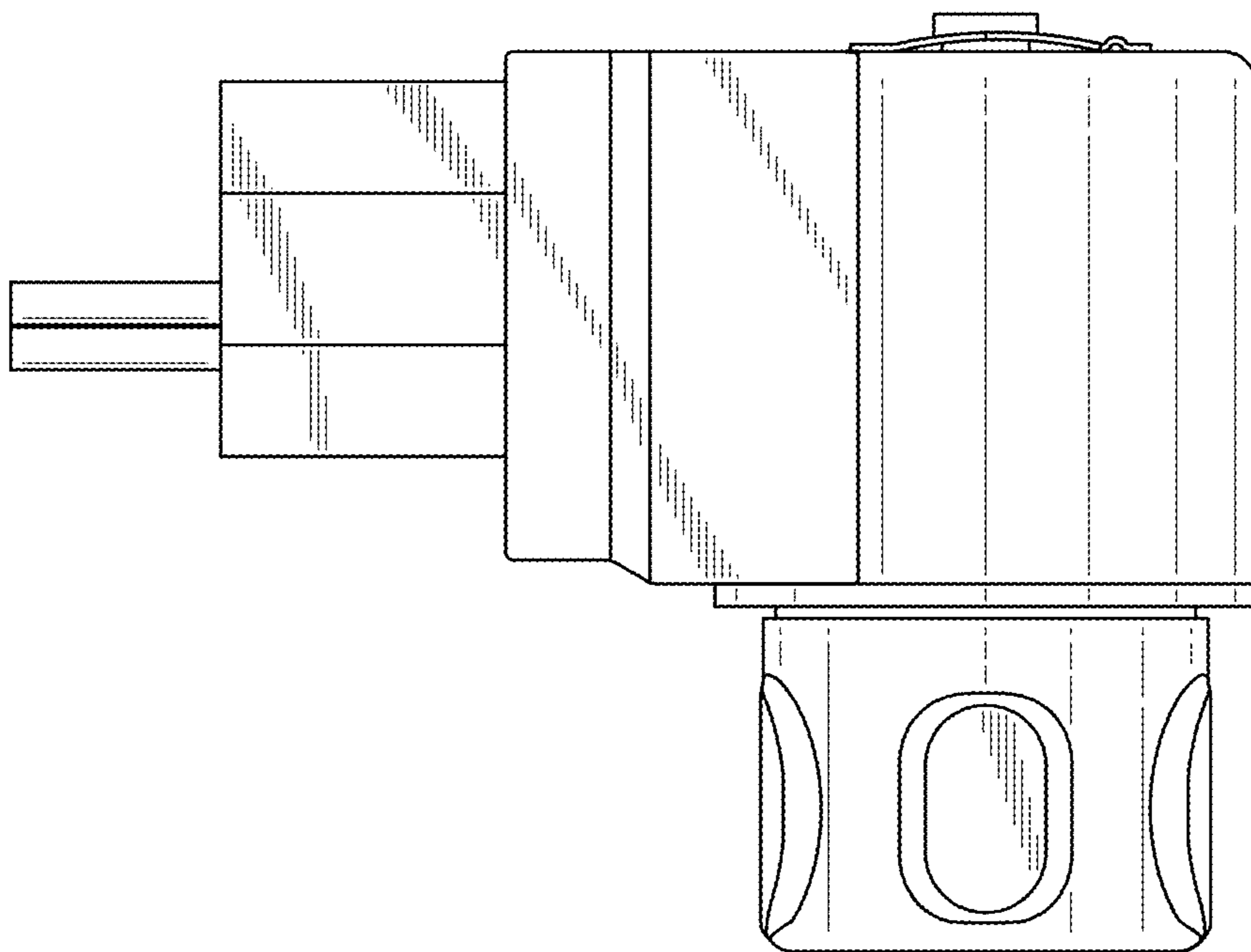


FIG. 4

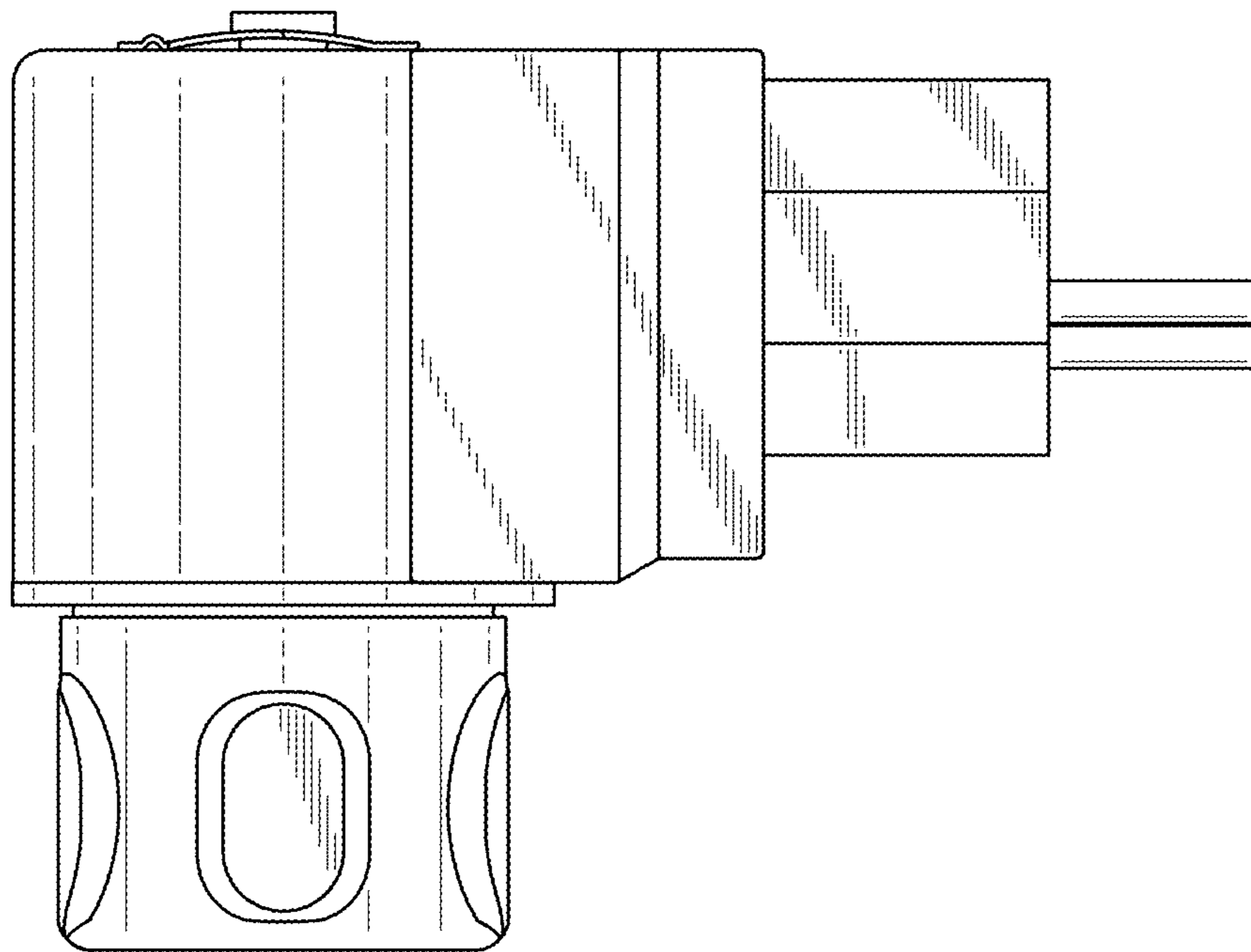


FIG. 5

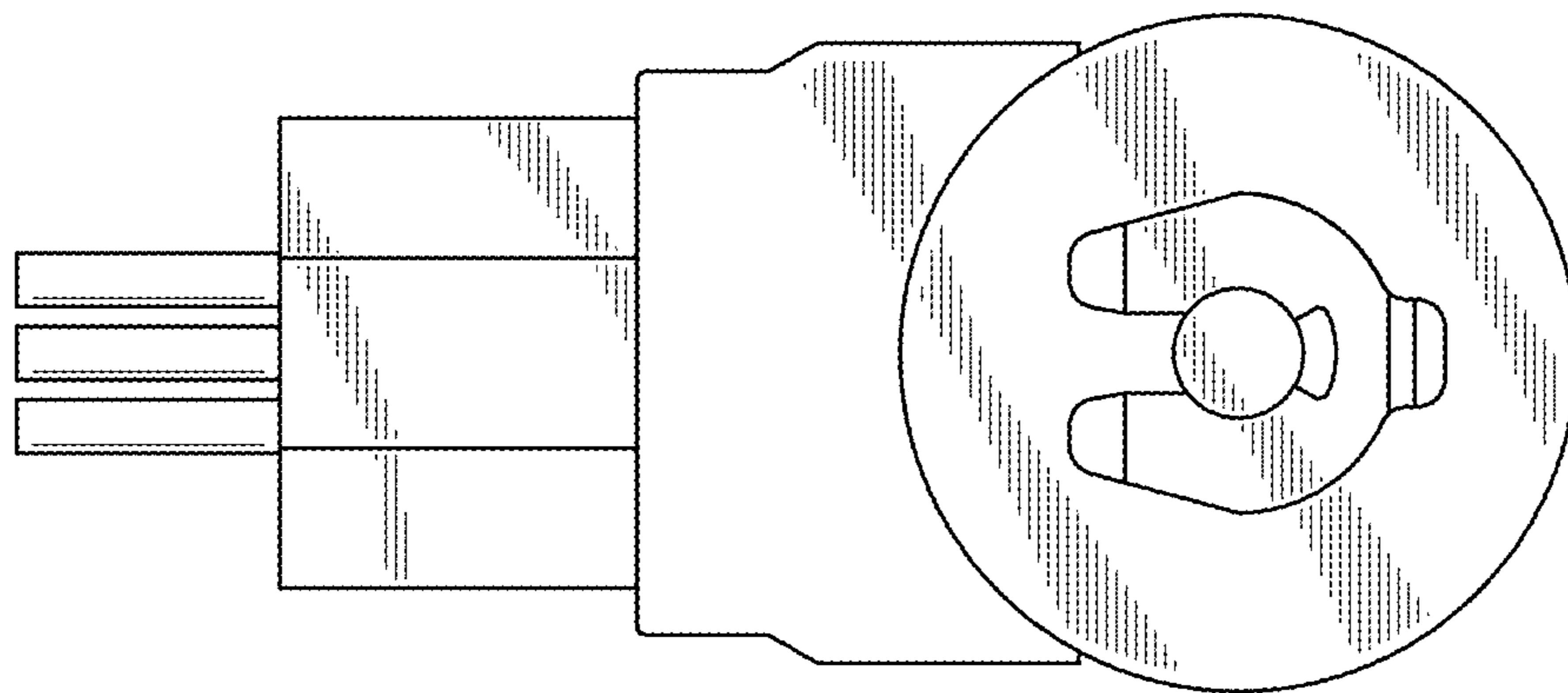




FIG. 6

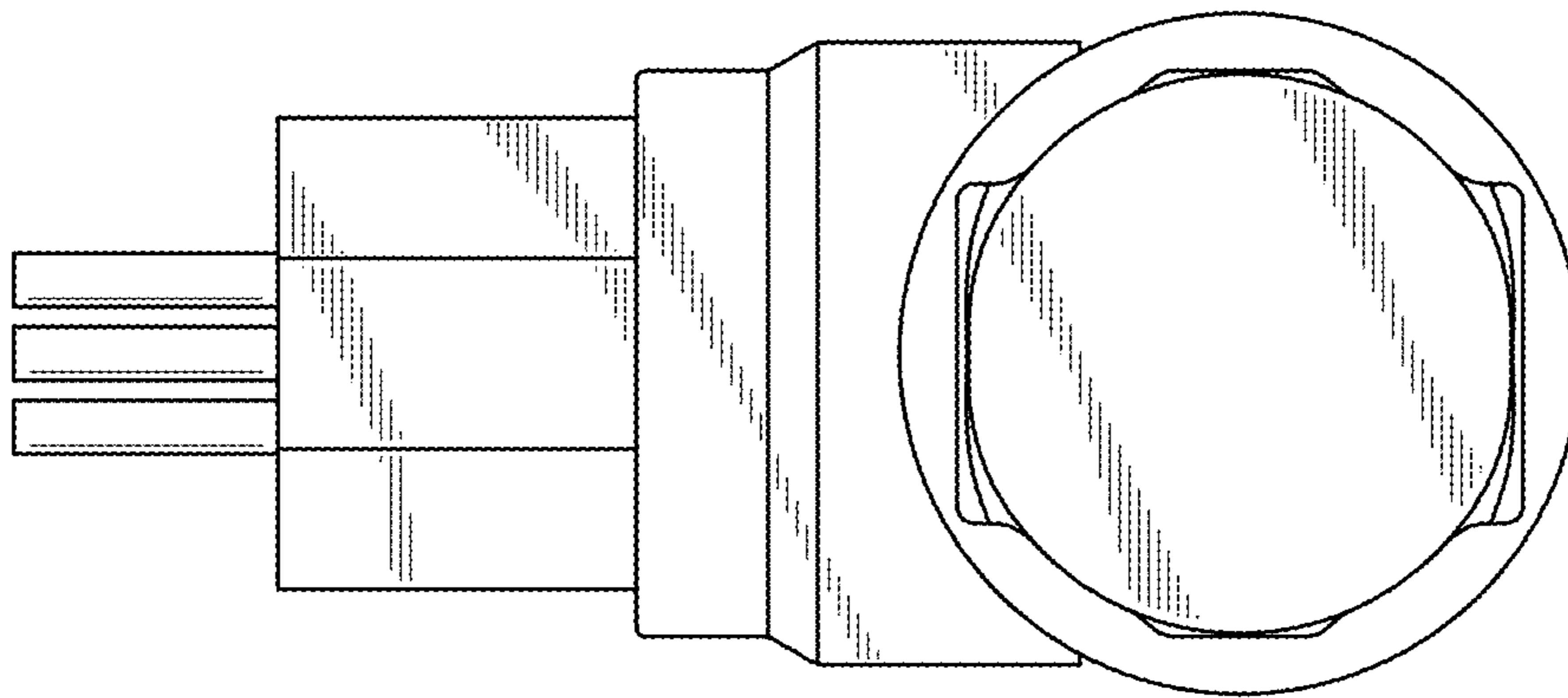


FIG. 7

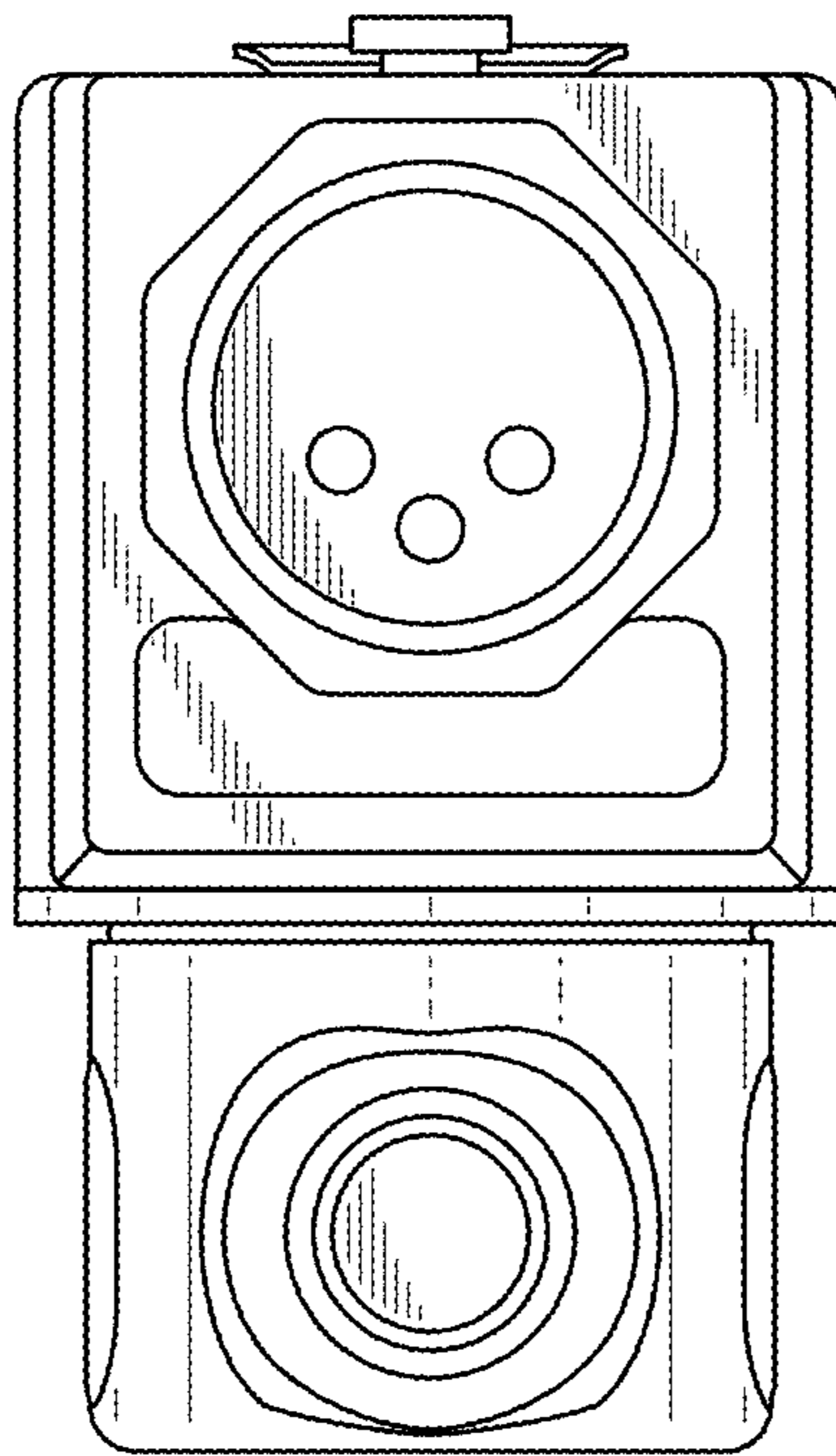




FIG. 8

