



US00D826375S

(12) **United States Design Patent**
Berducat et al.

(10) **Patent No.:** **US D826,375 S**

(45) **Date of Patent:** **** Aug. 21, 2018**

(54) **WATER PURIFIER CARTRIDGE**
(71) Applicant: **Merck Patent GmbH**, Darmstadt (DE)
(72) Inventors: **Christian Berducat**, Darmstadt (DE);
Eric Biget, Darmstadt (DE); **Katharine Molders**, Darmstadt (DE)

(73) Assignee: **Merck Patent GmbH**, Darmstadt (DE)

(**) Term: **15 Years**

(21) Appl. No.: **29/614,840**

(22) Filed: **Aug. 23, 2017**

(30) **Foreign Application Priority Data**

Feb. 24, 2017 (EM) 003765809-0004

(51) **LOC (11) Cl.** **23-01**

(52) **U.S. Cl.**
USPC **D23/209**

(58) **Field of Classification Search**
USPC D23/207, 209, 365
CPC . C02F 1/003; C02F 1/42; B01D 35/30; B01D
35/153; B01D 29/111; B01D 39/12;
B29C 47/682

See application file for complete search history.

(56) **References Cited**

U.S. PATENT DOCUMENTS

6,325,929 B1 * 12/2001 Bassett B01D 61/18
210/238
D493,207 S * 7/2004 Ueda D23/209
D547,823 S * 7/2007 Kennedy D23/207
D679,779 S * 4/2013 Reid D23/209
D712,007 S * 8/2014 Reid D23/209
D731,616 S * 6/2015 Zou D23/209
D755,344 S * 5/2016 Reckin D23/209
D755,922 S * 5/2016 Sherman B01D 35/30
D23/209
D762,812 S * 8/2016 Branscomb D23/209

D767,712 S * 9/2016 Huda D23/207
D780,887 S * 3/2017 Huda D23/209
D788,879 S * 6/2017 Zou D23/209
D807,988 S * 1/2018 An B01D 35/30
D23/209
9,956,511 B2 * 5/2018 Lackey B01D 35/30

* cited by examiner

Primary Examiner — Robin V Webster

(74) *Attorney, Agent, or Firm* — Edell, Shapiro & Finnan, LLC

(57) **CLAIM**

The ornamental design for a water purifier cartridge, as shown and described.

DESCRIPTION

The patent or application file contains at least one photograph executed in color. Copies of this patent or patent application publication with color photographs(s) will be provided by the Office upon request and payment of the necessary fee.

FIG. 1 is a front, right perspective view from above of a water purifier cartridge.

FIG. 2 is a front elevation view the water purifier cartridge of FIG. 1.

FIG. 3 is a rear elevation view the water purifier cartridge of FIG. 1.

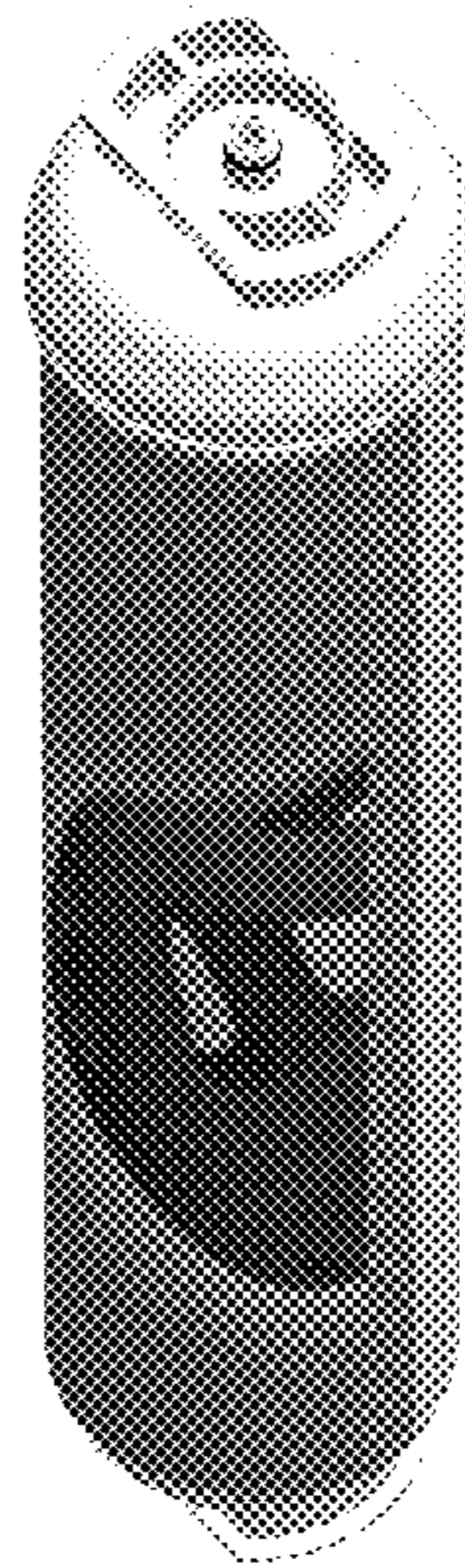
FIG. 4 is a left side elevation view of the water purifier cartridge of FIG. 1.

FIG. 5 is a right side elevation view of the water purifier cartridge of FIG. 1.

FIG. 6 is a top plan view of the water purifier cartridge of FIG. 1; and,

FIG. 7 is a bottom plan view of the water purifier cartridge of FIG. 1.

1 Claim, 6 Drawing Sheets
(6 of 6 Drawing Sheet(s) Filed in Color)



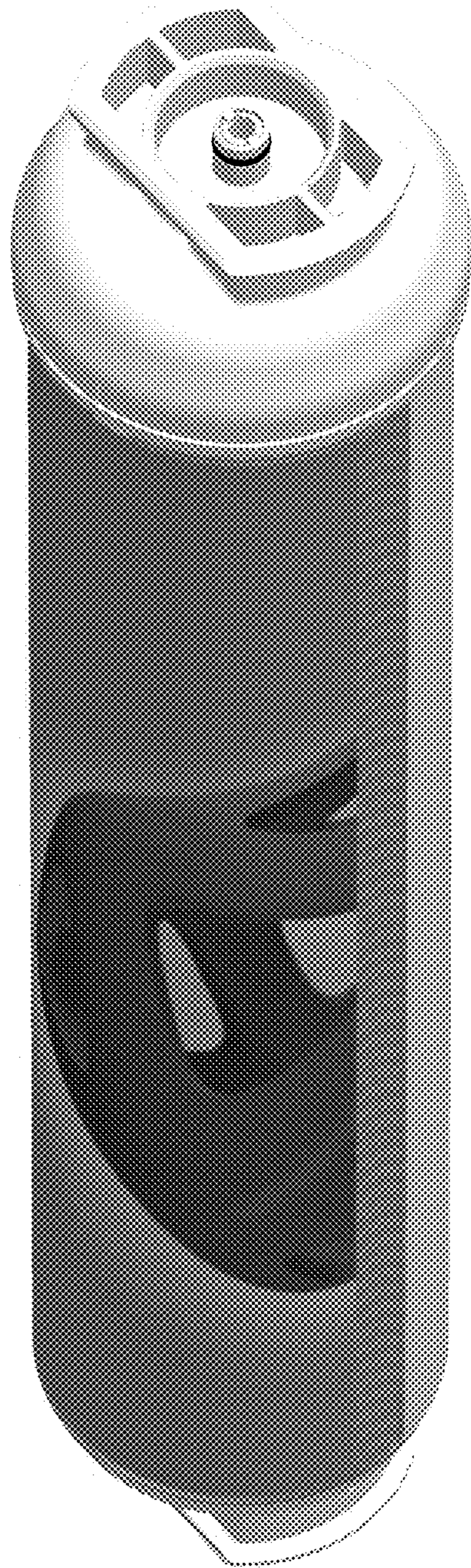


FIG.1

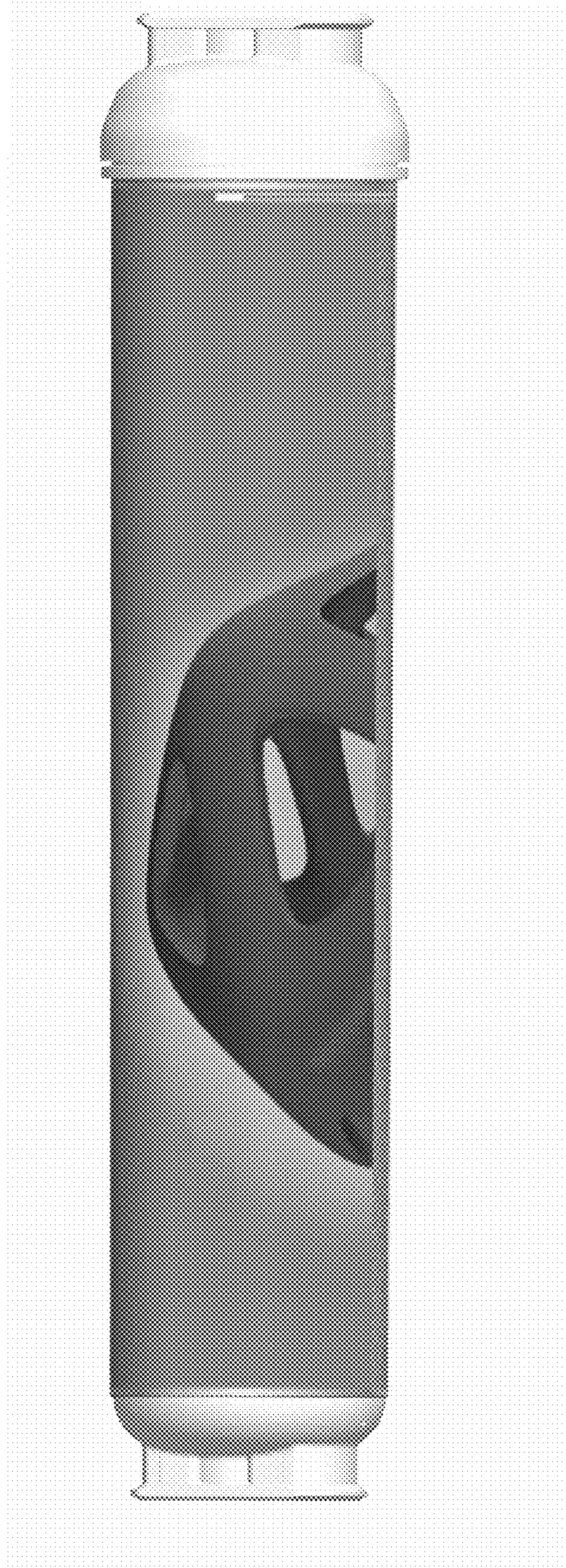


FIG.2

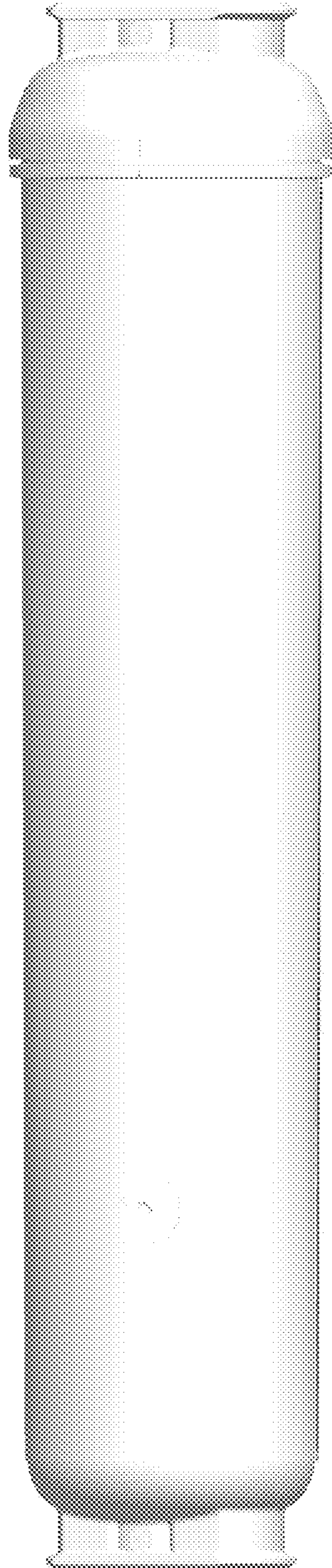


FIG.3

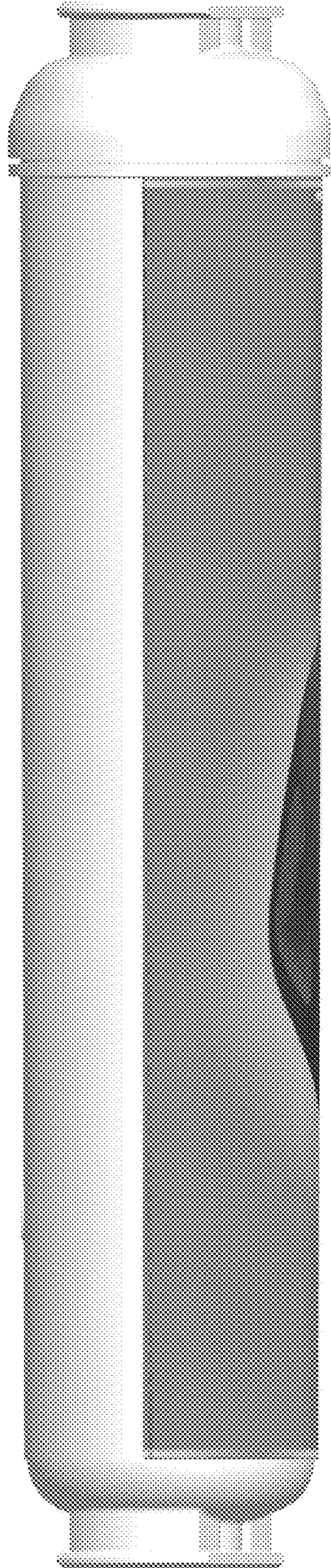


FIG.4

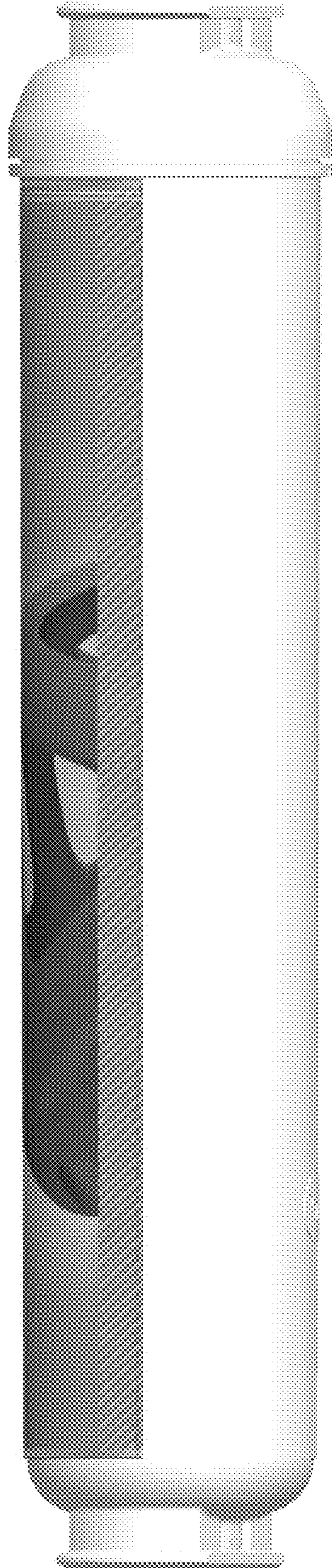


FIG.5

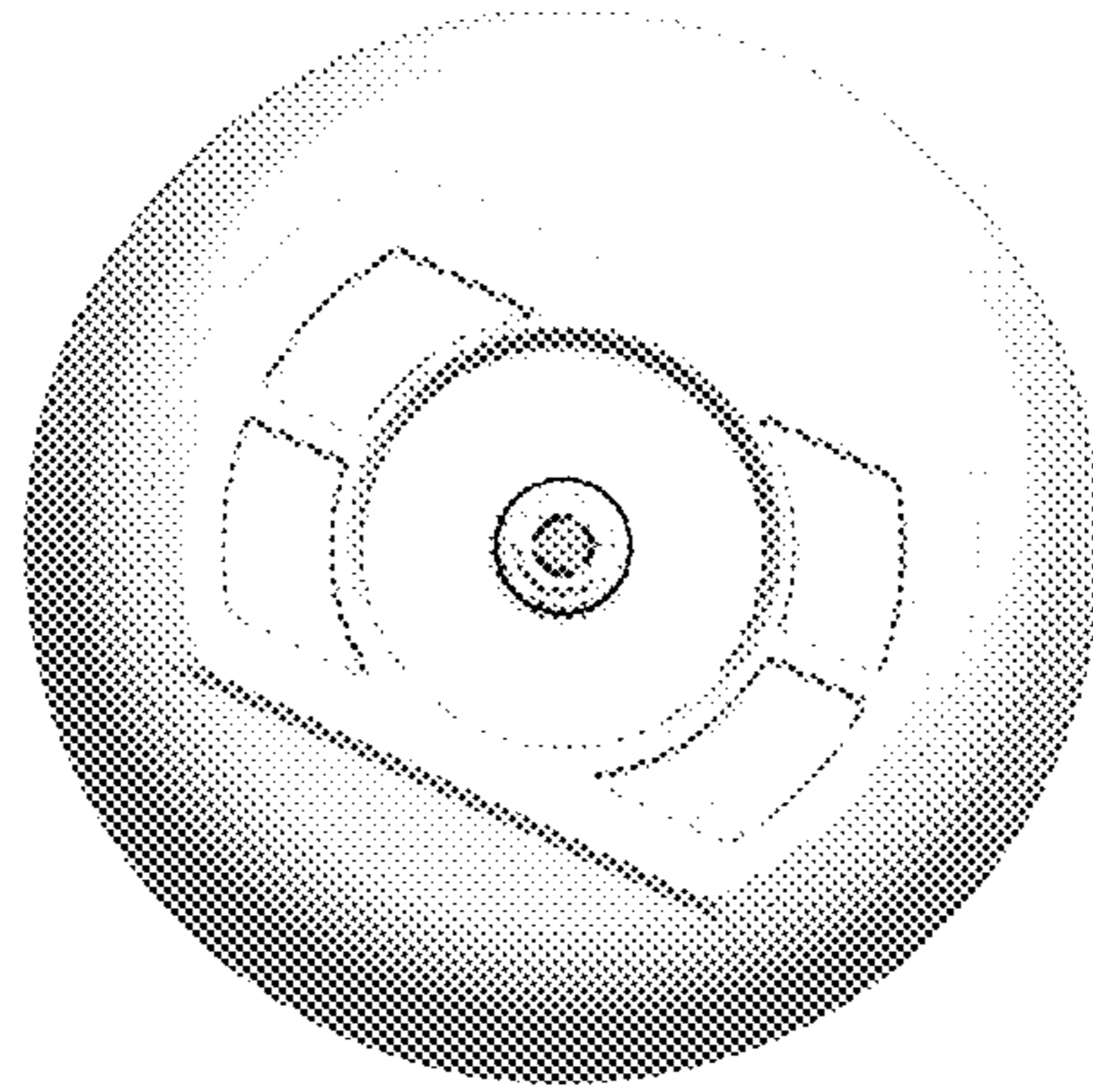


FIG. 6

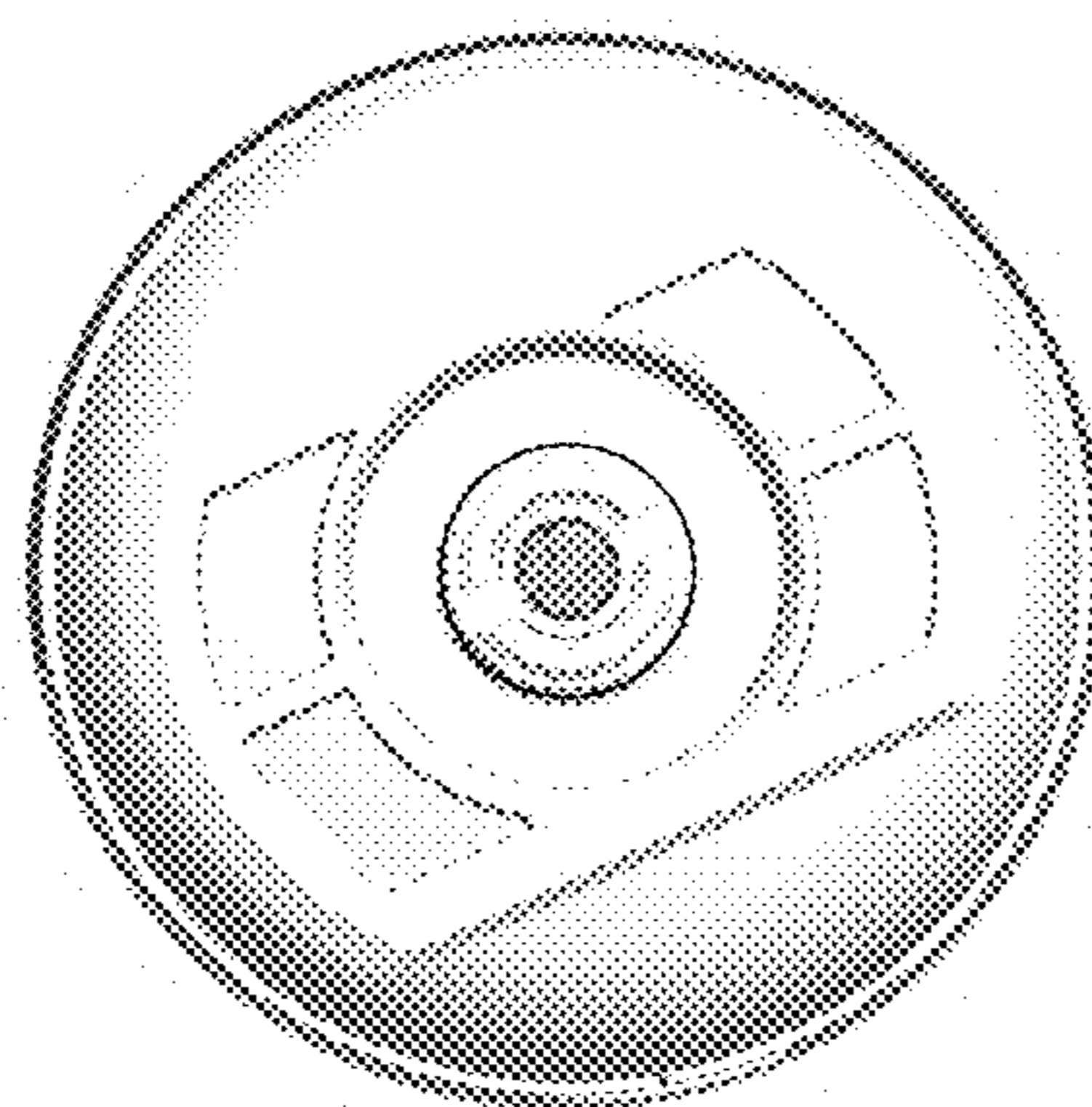


FIG. 7