



US00D826372S

(12) **United States Design Patent** (10) **Patent No.:** **US D826,372 S**  
**Shores et al.** (45) **Date of Patent:** **\*\* Aug. 21, 2018**

(54) **PORTABLE CHLORINE GENERATOR**  
 (71) Applicant: **Untapped Shores International, Inc.**,  
 Rochester, NY (US)  
 (72) Inventors: **Patrick Shores**, Rochester, NY (US);  
**Elizabeth Shores**, Rochester, NY (US);  
**Benjamin Zombek**, Pittsford, NY (US)  
 (73) Assignee: **Untapped Shores International, Inc.**,  
 Rochester, NY (US)

D621,902 S \* 8/2010 Mercer ..... D23/208  
 D697,171 S \* 1/2014 Bradford ..... D23/209  
 D711,504 S \* 8/2014 Jackson ..... D23/209  
 D717,603 S \* 11/2014 Federighi ..... D7/509  
 D722,675 S \* 2/2015 Del Ponte ..... D23/209  
 D753,263 S \* 4/2016 Del Ponte ..... D23/209  
 D784,490 S \* 4/2017 Larouche ..... D23/208  
 D804,900 S \* 12/2017 Choe ..... D7/509  
 D805,161 S \* 12/2017 Gelardi ..... D23/209  
 2016/0310881 A1 \* 10/2016 Beyda ..... B01D 29/085

(\*\*) Term: **15 Years**

(21) Appl. No.: **29/586,333**

(22) Filed: **Dec. 2, 2016**

(51) **LOC (11) Cl.** ..... **23-01**

(52) **U.S. Cl.**  
USPC ..... **D23/208; D23/207**

(58) **Field of Classification Search**  
 USPC ..... D23/207, 209–210, 211.2, 208; D7/509,  
 D7/507; 422/264–265  
 CPC . C02F 1/00; C02F 1/003; B01D 35/00; B01D  
 35/35; B01D 35/153  
 See application file for complete search history.

(56) **References Cited**

**U.S. PATENT DOCUMENTS**

D312,863 S \* 12/1990 Hankammer ..... D23/209  
 D371,824 S \* 7/1996 Price ..... D23/207  
 D377,582 S \* 1/1997 Yang ..... D7/507  
 D477,184 S \* 7/2003 Latapi ..... D7/509  
 D541,373 S \* 4/2007 Storckman ..... D23/209  
 D597,376 S \* 8/2009 Reay ..... D7/509

\* cited by examiner

*Primary Examiner* — Robin V Webster

*Assistant Examiner* — James C Thorn, Sr.

(74) *Attorney, Agent, or Firm* — Harter Secrest & Emery  
LLP; Jodi A. Reynolds, Esq.; Brian B. Shaw, Esq.

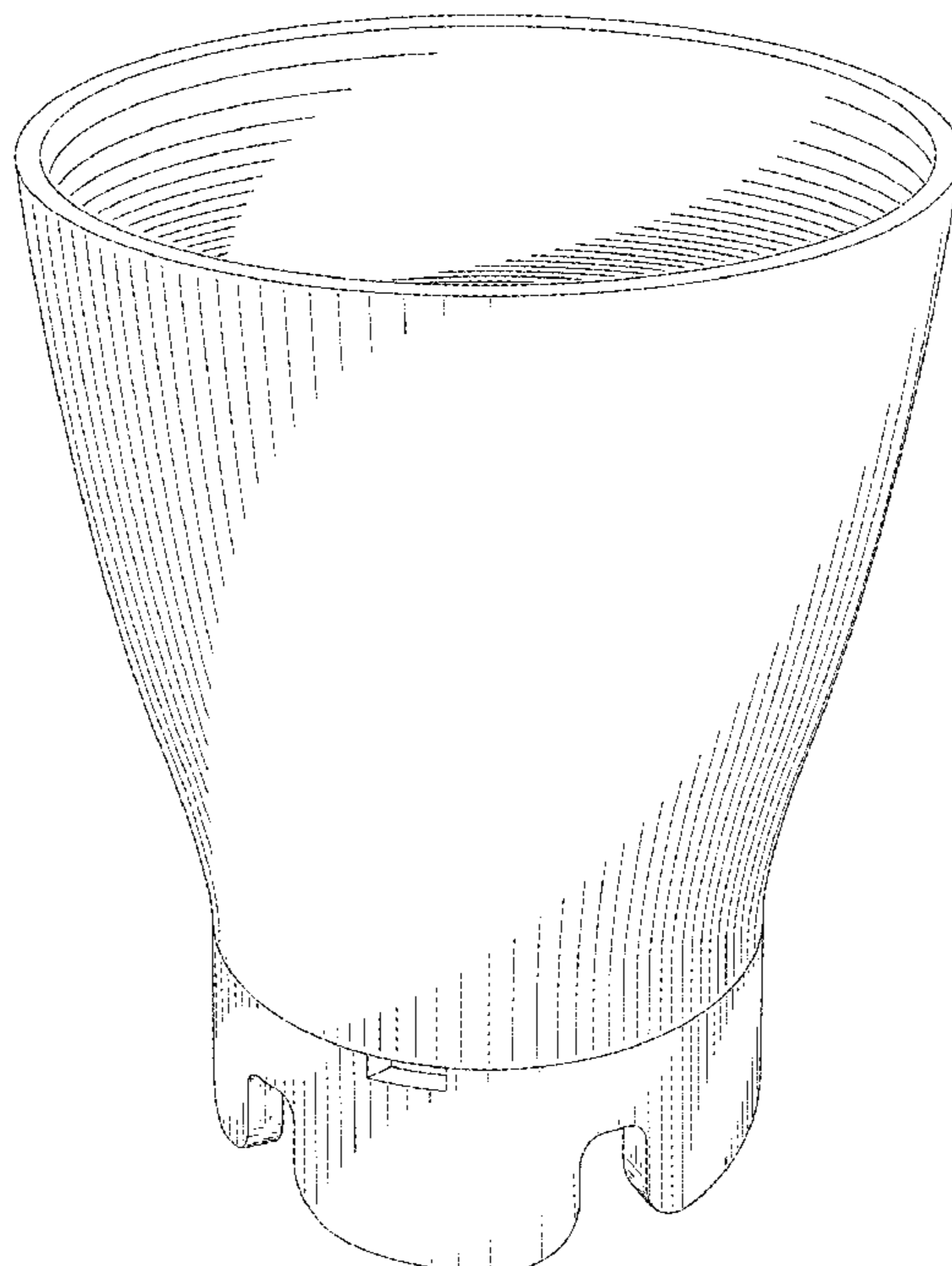
(57) **CLAIM**

The ornamental design for a portable chlorine generator, as shown and described.

**DESCRIPTION**

FIG. 1 is a perspective view of a portable chlorine generator showing my new design;  
 FIG. 2 is a front elevational view thereof;  
 FIG. 3 is a rear elevational view thereof;  
 FIG. 4 is a right side elevational view thereof;  
 FIG. 5 is a left side elevational view thereof;  
 FIG. 6 is a top plan view thereof; and,  
 FIG. 7 is a bottom plan view thereof.  
 The broken lines of the Figures are for illustrative purposes only and form no part of the claimed design.

**1 Claim, 7 Drawing Sheets**



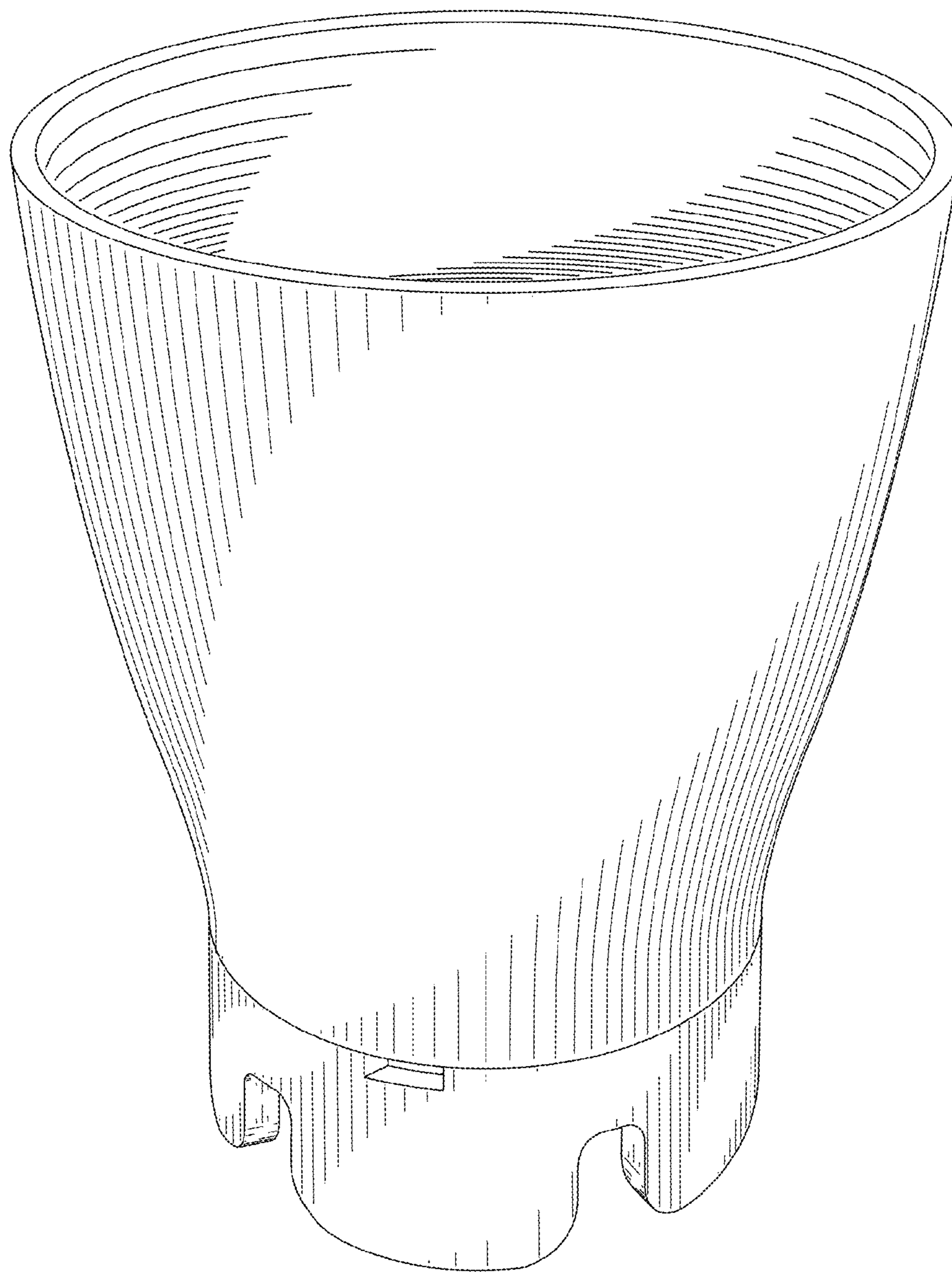


FIG. 1

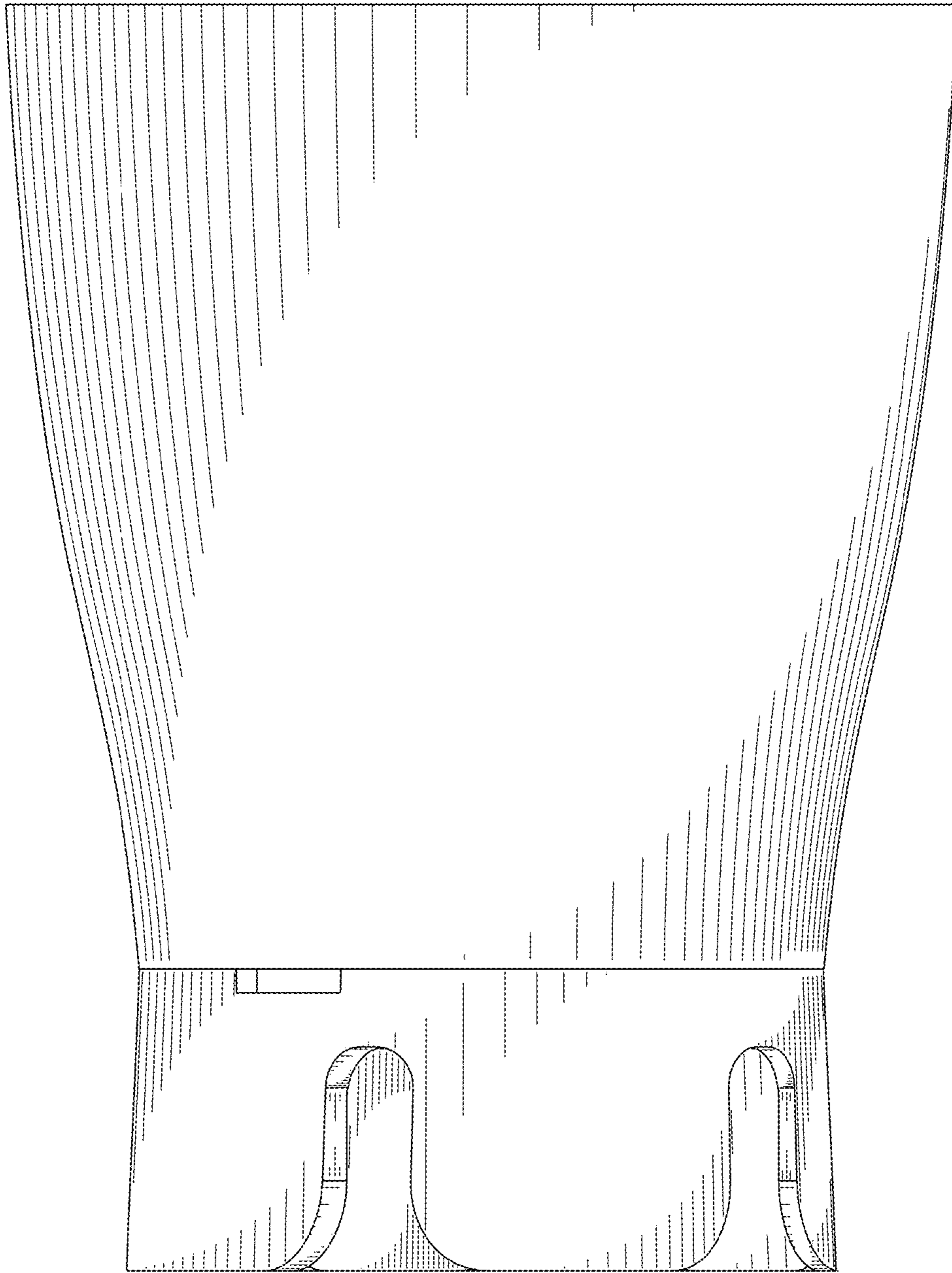


FIG. 2

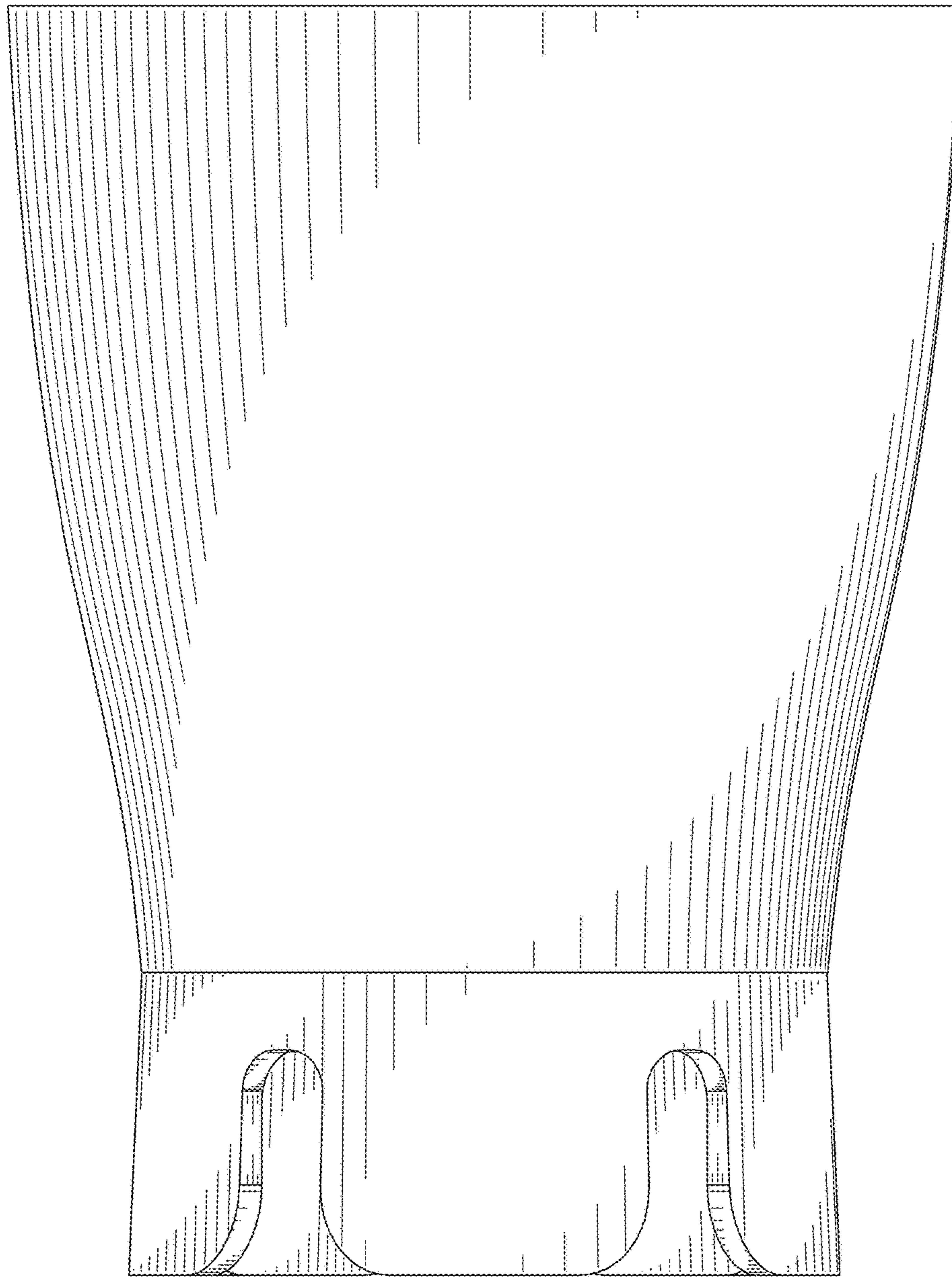


FIG. 3

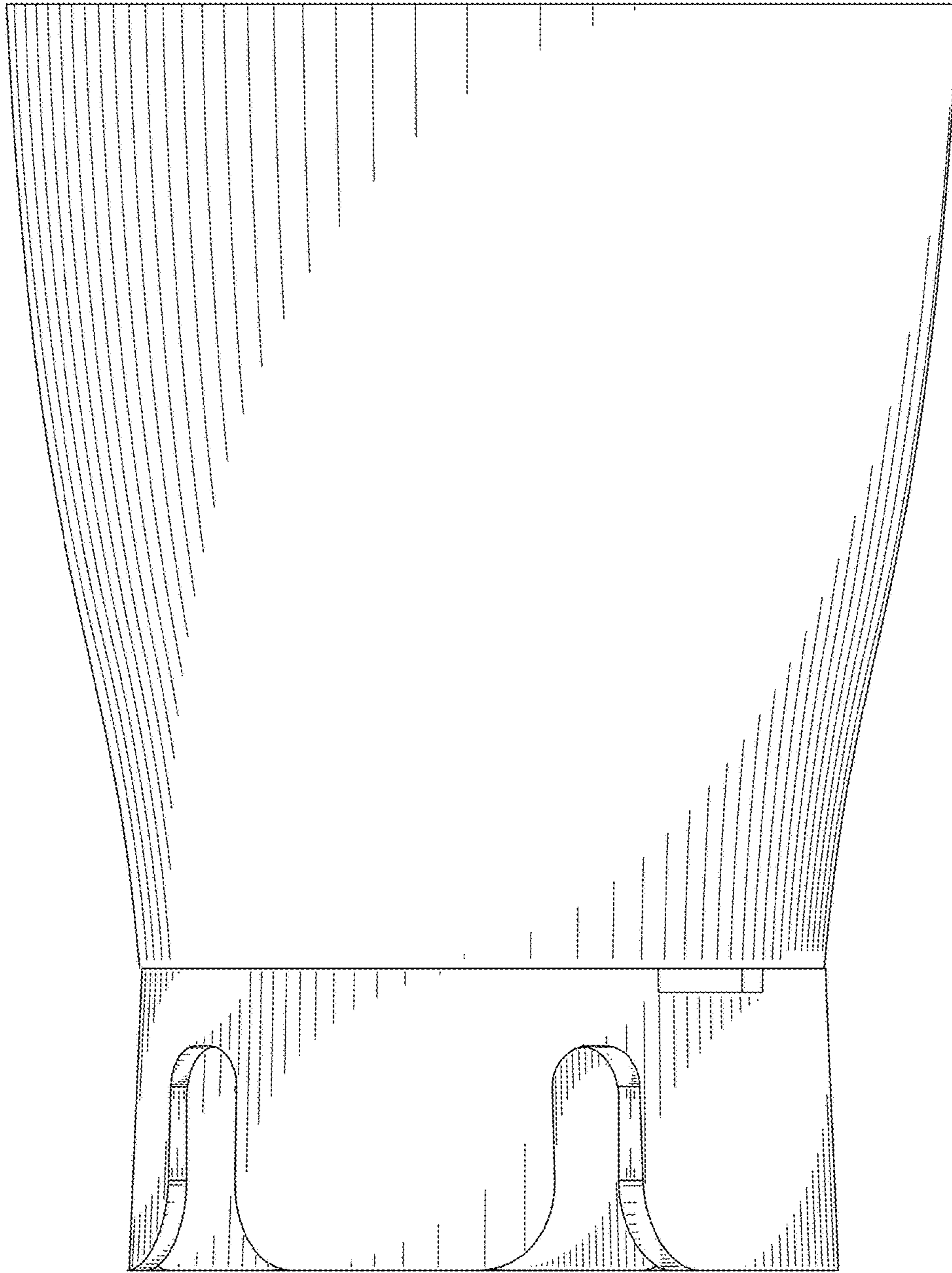


FIG. 4

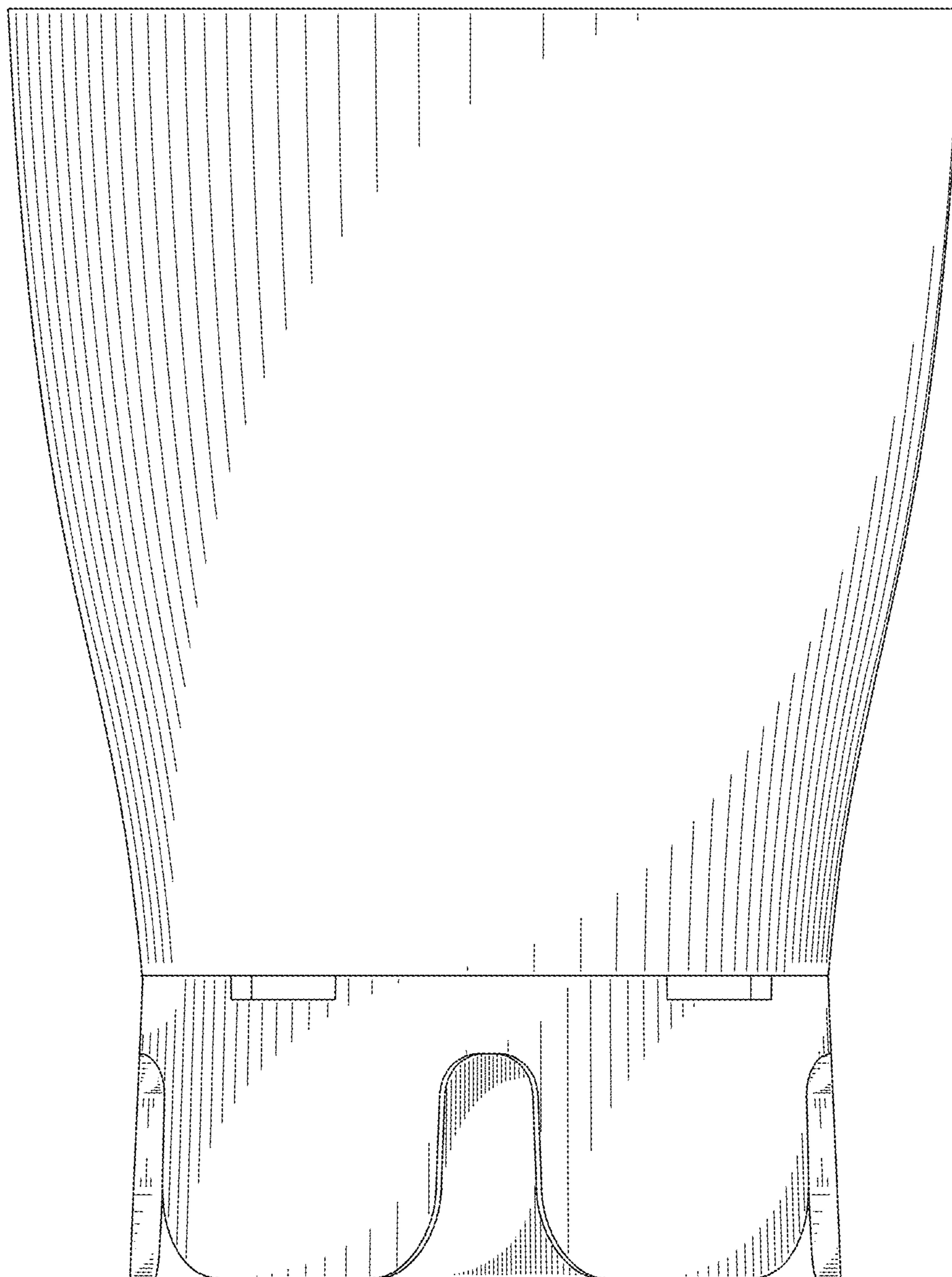


FIG. 5

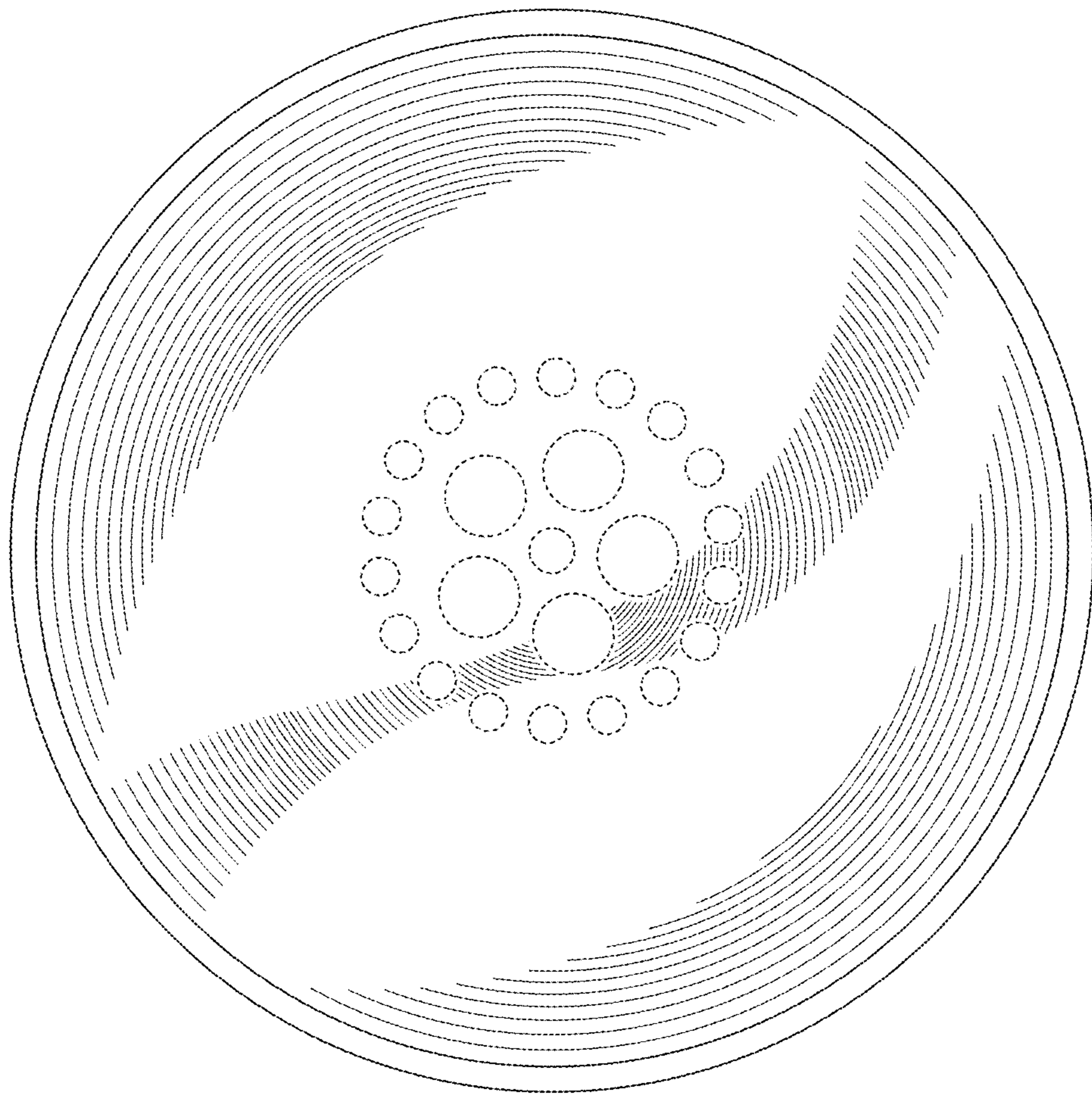


FIG. 6

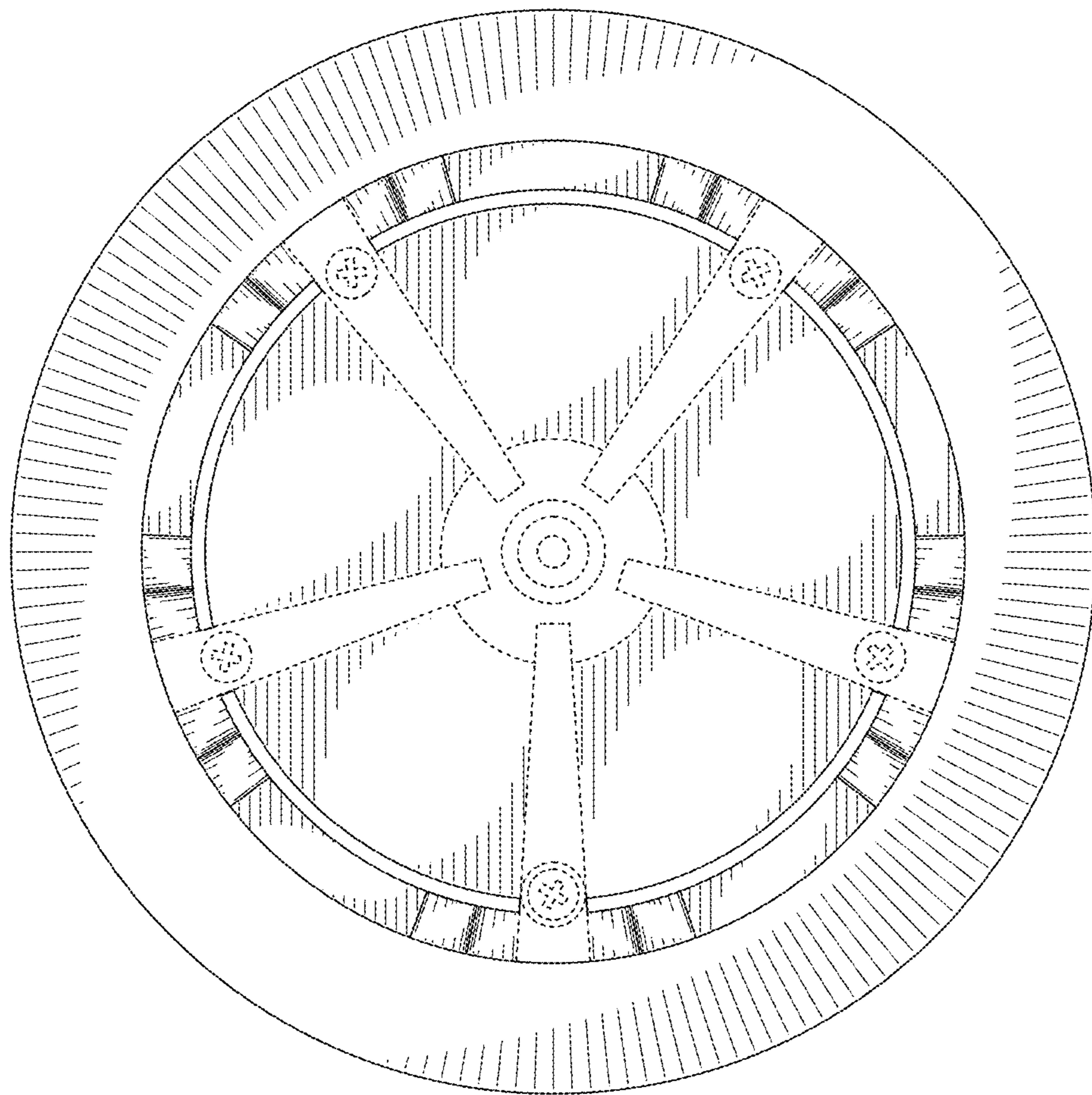


FIG. 7