



US00D826371S

(12) **United States Design Patent**  
**Giordano**

(10) **Patent No.:** **US D826,371 S**  
(45) **Date of Patent:** **\*\* Aug. 21, 2018**

(54) **WATER TREATMENT DEVICE**

**DESCRIPTION**

(71) Applicant: **CULLIGAN ITALIANA S.P.A.**,  
Granarola Dell-Emilia (IT)

(72) Inventor: **Andrea Giordano**, Bologna (IT)

(73) Assignee: **CULLIGAN ITALIANA S.P.A.**,  
Granarolo Dell'Emilia (IT)

(\*\*) Term: **15 Years**

(21) Appl. No.: **29/600,144**

(22) Filed: **Apr. 10, 2017**

(30) **Foreign Application Priority Data**

Mar. 29, 2017 (EM) ..... 003829167-0001

(51) **LOC (11) Cl.** ..... **23-01**

(52) **U.S. Cl.**  
USPC ..... **D23/207**

(58) **Field of Classification Search**  
USPC ..... D23/207, 209, 365

(Continued)

(56) **References Cited**

**U.S. PATENT DOCUMENTS**

5,785,848 A \* 7/1998 Strand ..... C02F 1/003  
210/282

D446,840 S \* 8/2001 Strand ..... D23/209  
(Continued)

*Primary Examiner* — Robin V Webster

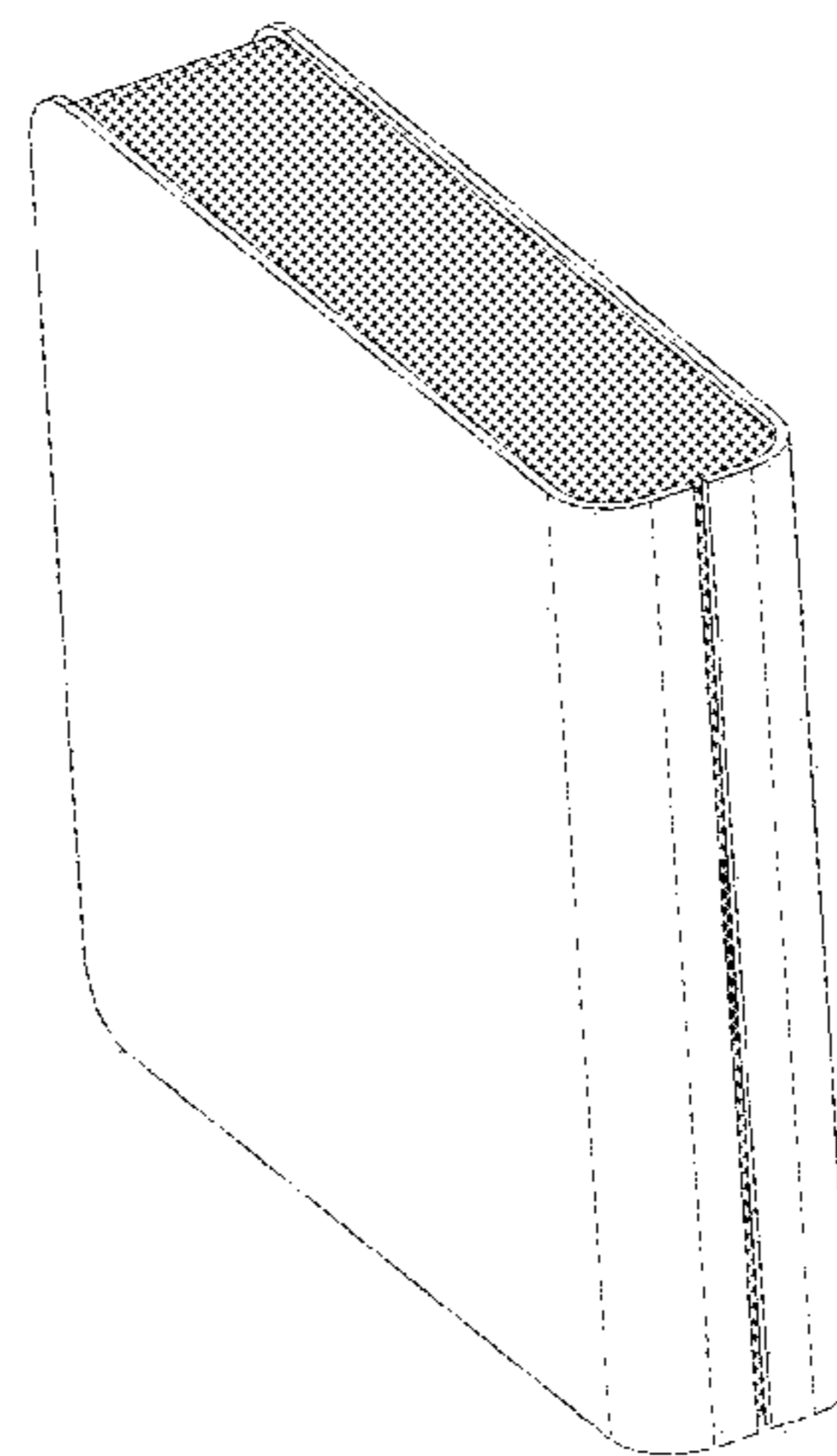
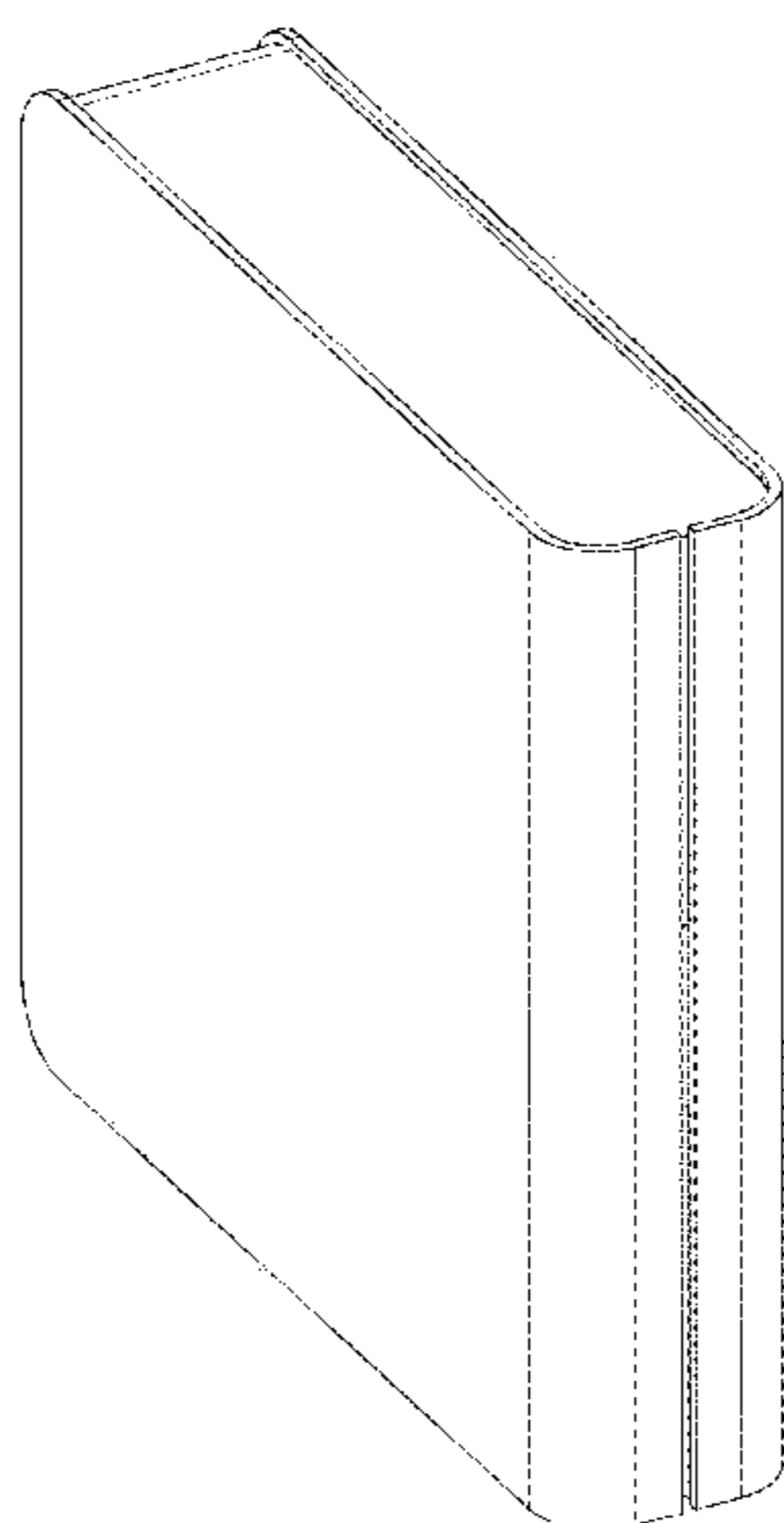
(74) *Attorney, Agent, or Firm* — Shuttleworth &  
Ingersoll, PLC; Timothy J. Klima

(57) **CLAIM**

The ornamental design for a water treatment device, as shown and described.

The patent or application file contains at least one drawing executed in color. Copies of this patent or patent application publication with color drawing(s) will be provided by the Office upon request and payment of the necessary fee. FIG. 1 is a front perspective view of a first embodiment of a water treatment device; FIG. 2 is a front view of the embodiment thereof; FIG. 3 is a right side view of the embodiment thereof; FIG. 4 is a rear view of the embodiment thereof; FIG. 5 is a left side view of the embodiment thereof; FIG. 6 is a top view of the embodiment thereof; FIG. 7 is a bottom view of the embodiment thereof; FIG. 8 is a rear perspective view of the embodiment thereof; FIG. 9 is a front perspective view of a second embodiment of a water treatment device, wherein a central band of the front is in color, and wherein the color of the remaining portions shown in white forms no part of the claimed design; FIG. 10 is a front view of the embodiment thereof; FIG. 11 is a right side view of the embodiment thereof; FIG. 12 is a rear view of the embodiment thereof; FIG. 13 is a left side view of the embodiment thereof; FIG. 14 is a top view of the embodiment thereof; FIG. 15 is a bottom view of the embodiment thereof; FIG. 16 is a rear perspective view of the embodiment thereof; FIG. 17 is a front perspective view of a third embodiment of a water treatment device, shown in color, more particularly colors for a central band of the front, for the internal case and for the external case, all forming part of the claimed design; FIG. 18 is a front view of the embodiment thereof; FIG. 19 is a right side view of the embodiment thereof; FIG. 20 is a rear view of the embodiment thereof; FIG. 21 is a left side view of the embodiment thereof; FIG. 22 is a top view of the embodiment thereof; FIG. 23 is a bottom view of the embodiment thereof; and, FIG. 24 is a rear perspective view of the embodiment thereof.

**1 Claim, 24 Drawing Sheets**  
**(4 of 24 Drawing Sheet(s) Filed in Color)**



(58) **Field of Classification Search**

CPC . C02F 1/003; C02F 1/42; B01D 35/30; B01D  
35/153; B01D 29/111; B01D 39/12;  
B29C 47/682

See application file for complete search history.

(56) **References Cited**

U.S. PATENT DOCUMENTS

D477,856	S	*	7/2003	Riddell	.....	D23/207
D575,844	S	*	8/2008	Park	.....	D23/207
D643,507	S	*	8/2011	Lee	.....	D23/207
D678,979	S	*	3/2013	Liu	.....	D23/207
D711,500	S	*	8/2014	Marchetti	.....	D23/209
D718,414	S	*	11/2014	Lo	.....	D23/207
D764,014	S	*	8/2016	Lin	.....	D23/207
D789,484	S	*	6/2017	Yoon	.....	D23/207
D807,472	S	*	1/2018	Peralta	.....	D23/207
D807,473	S	*	1/2018	Wei	.....	C02F 1/003 D23/207

\* cited by examiner

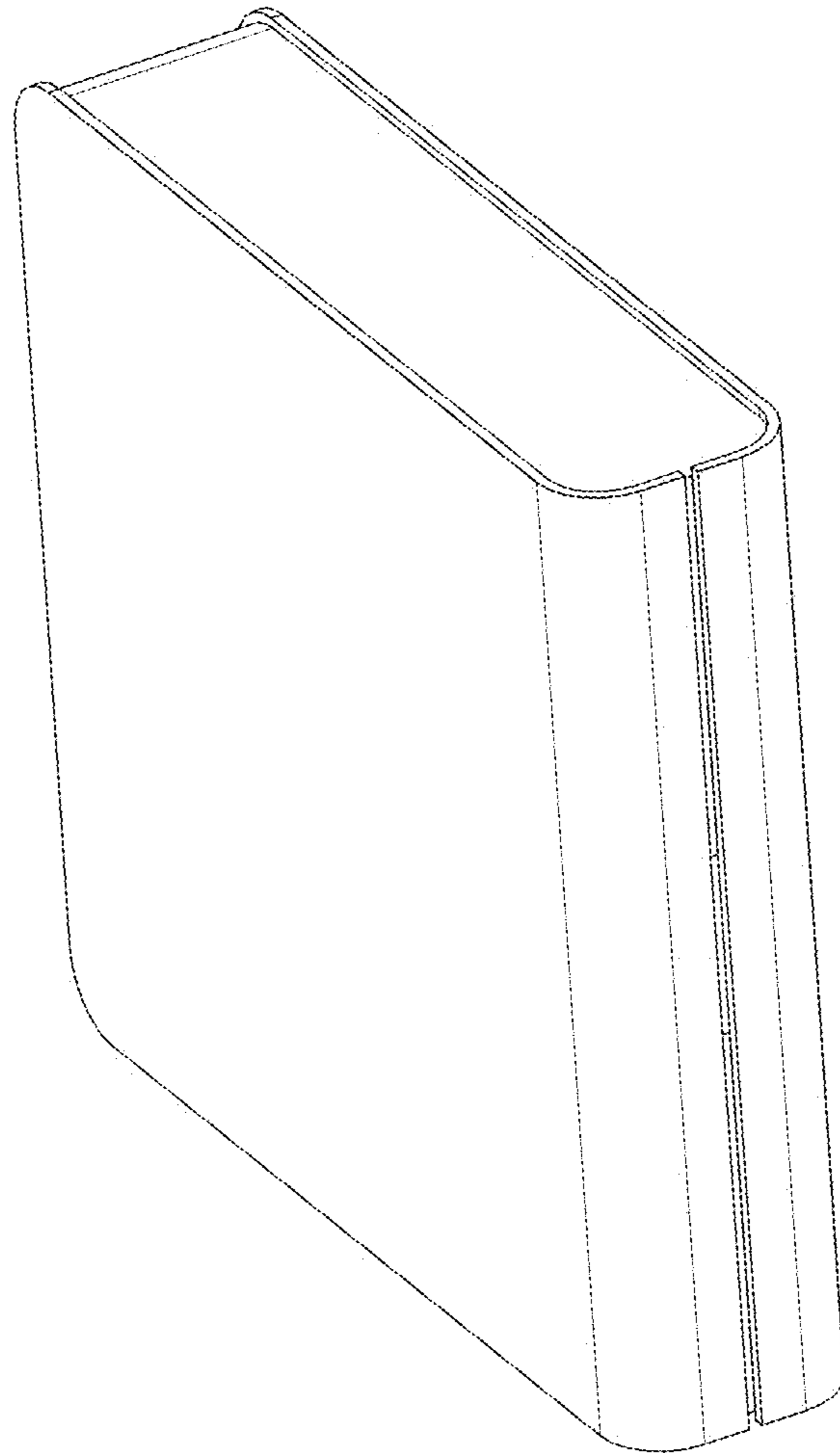


FIG. 1

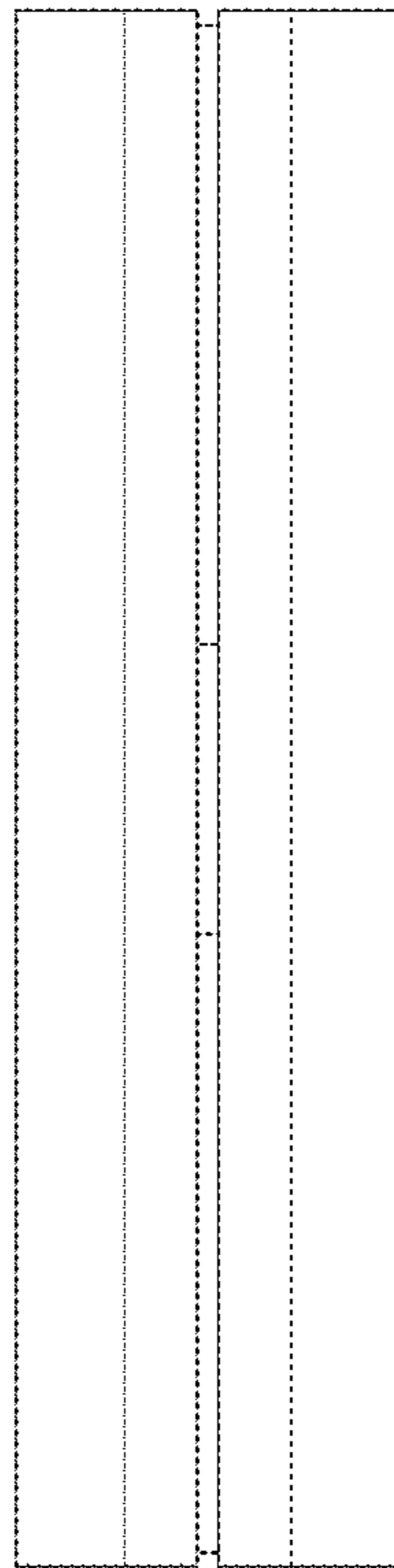


FIG. 2

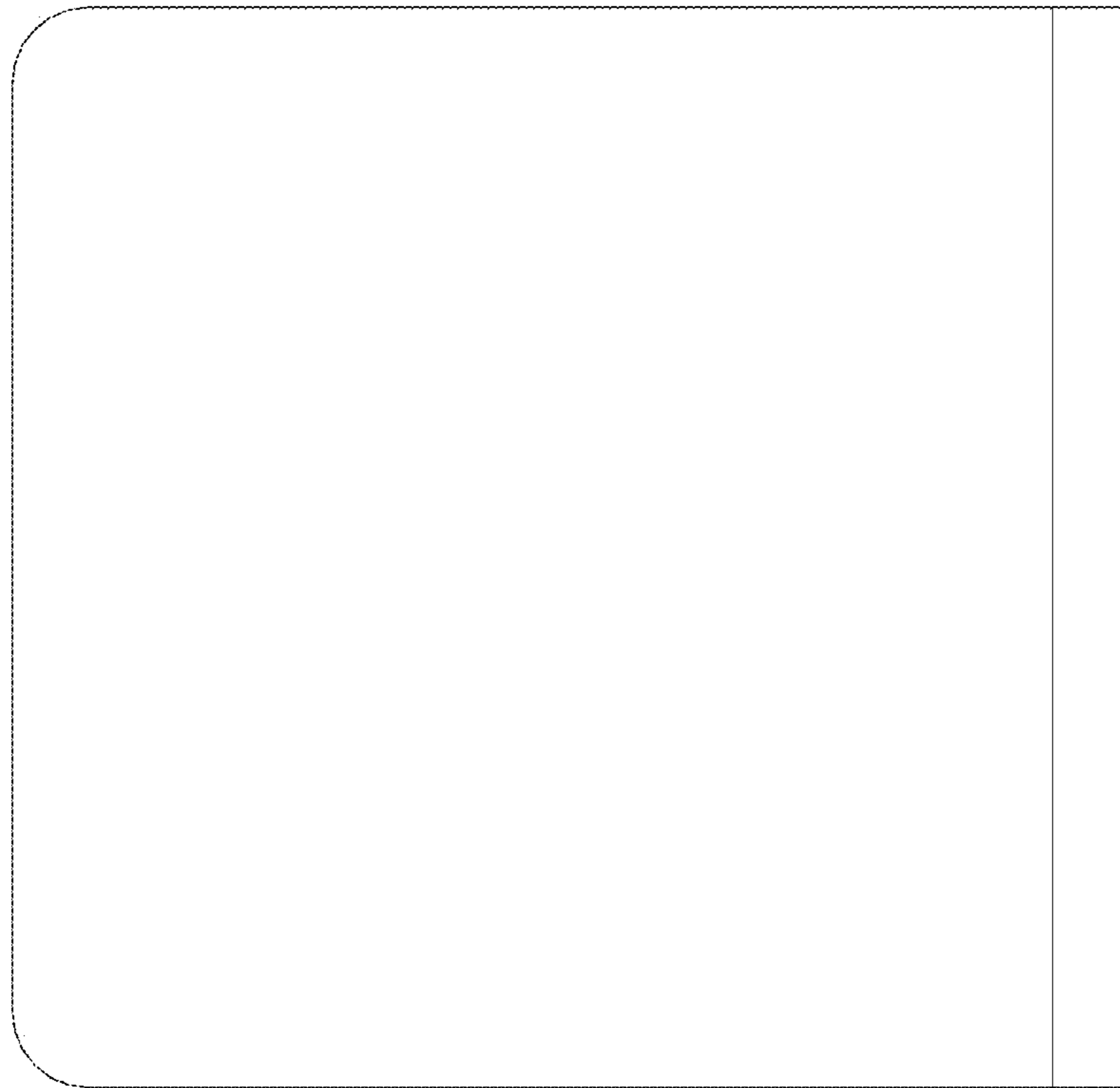


FIG. 3

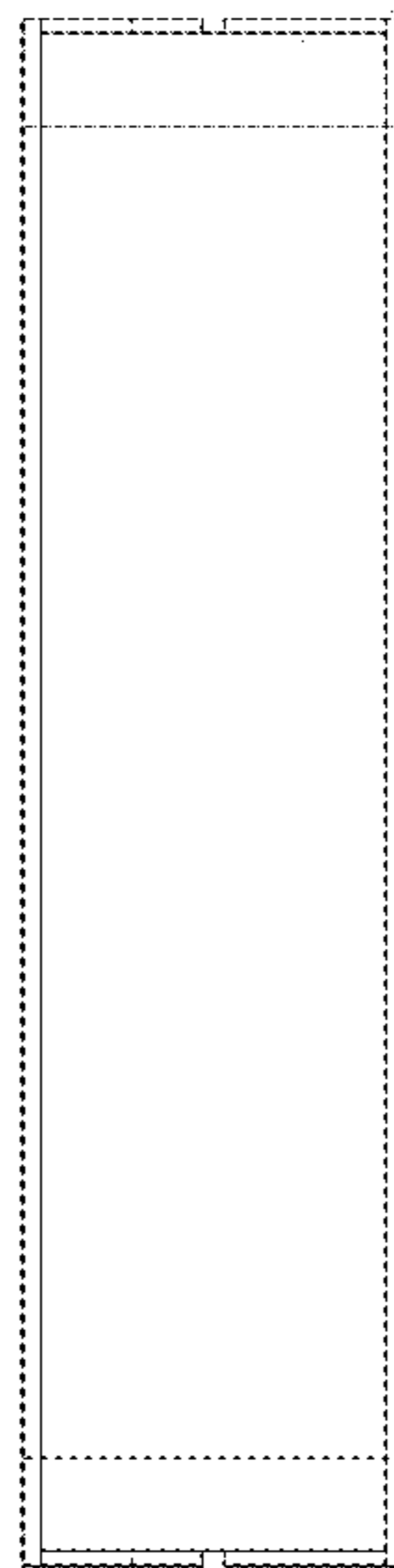


FIG. 4

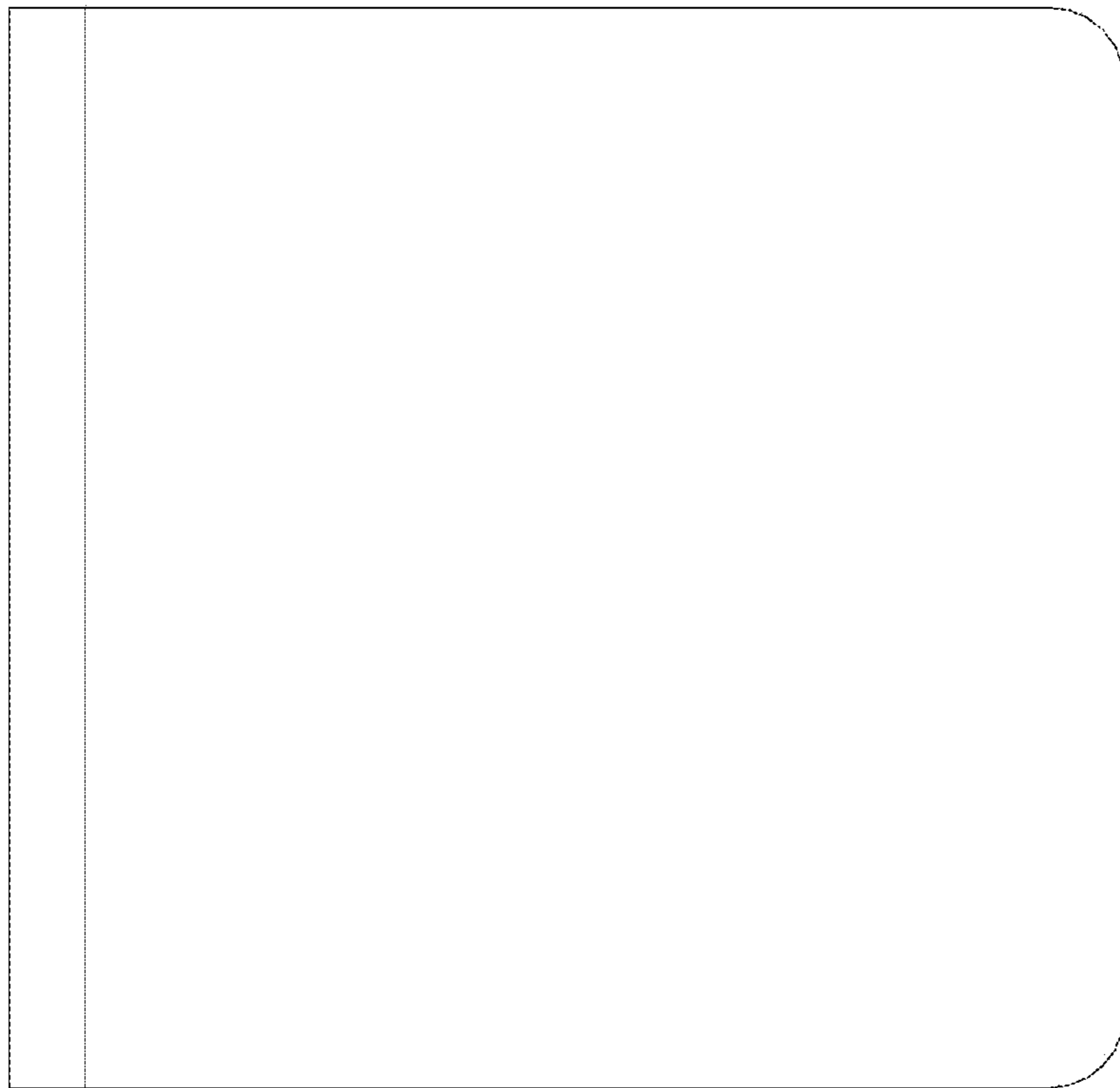


FIG. 5

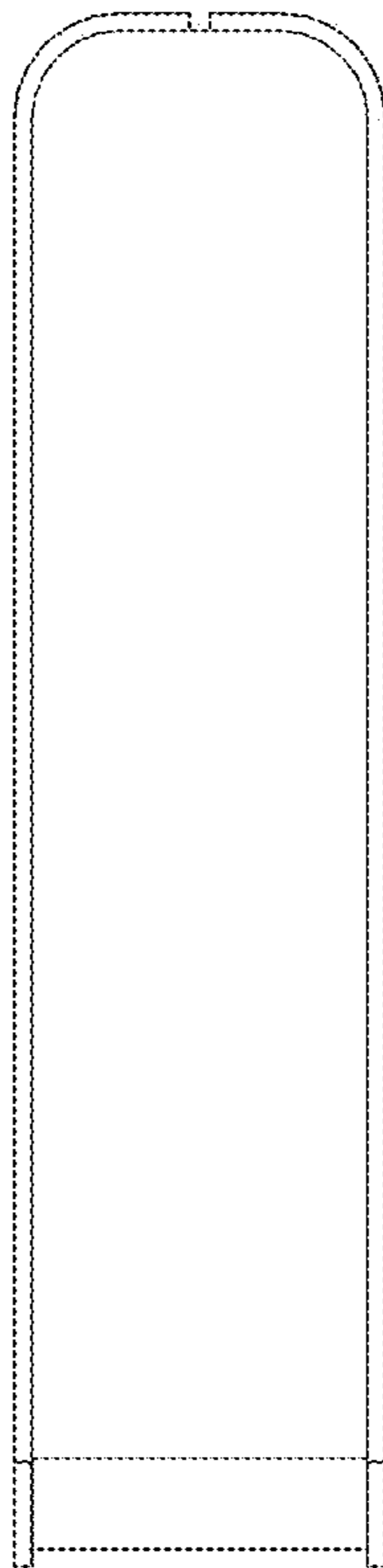


FIG. 6



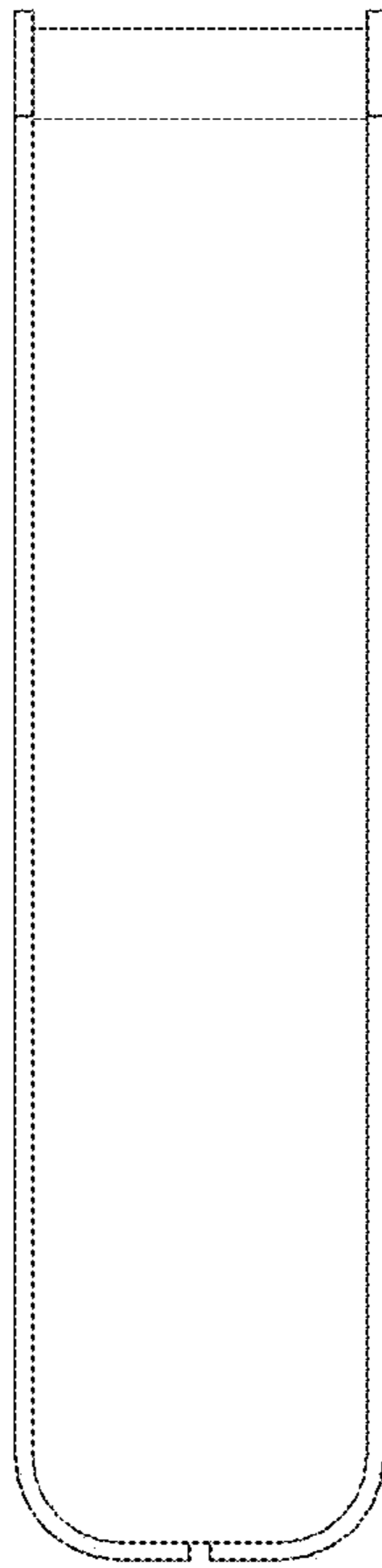


FIG. 7

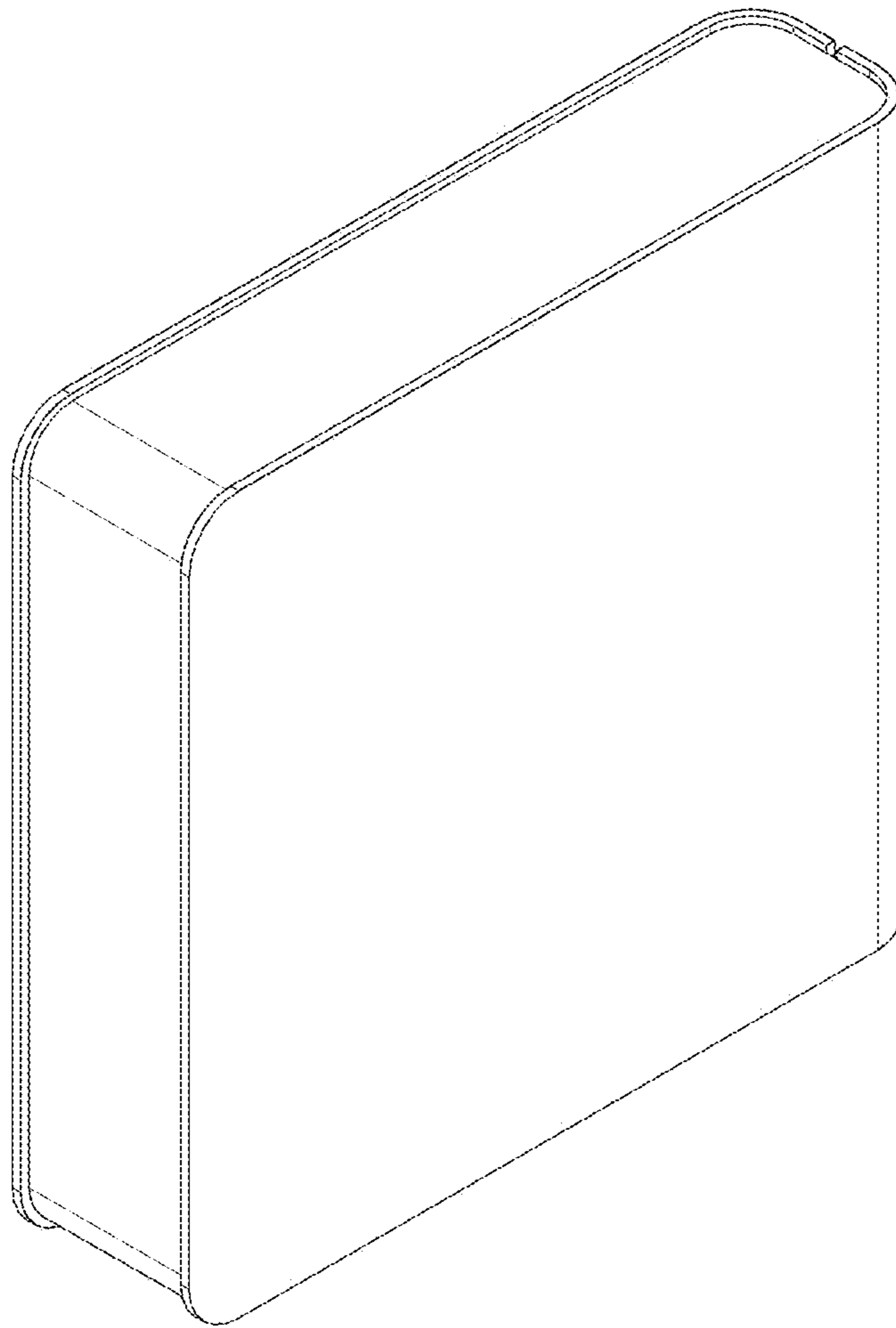


FIG. 8

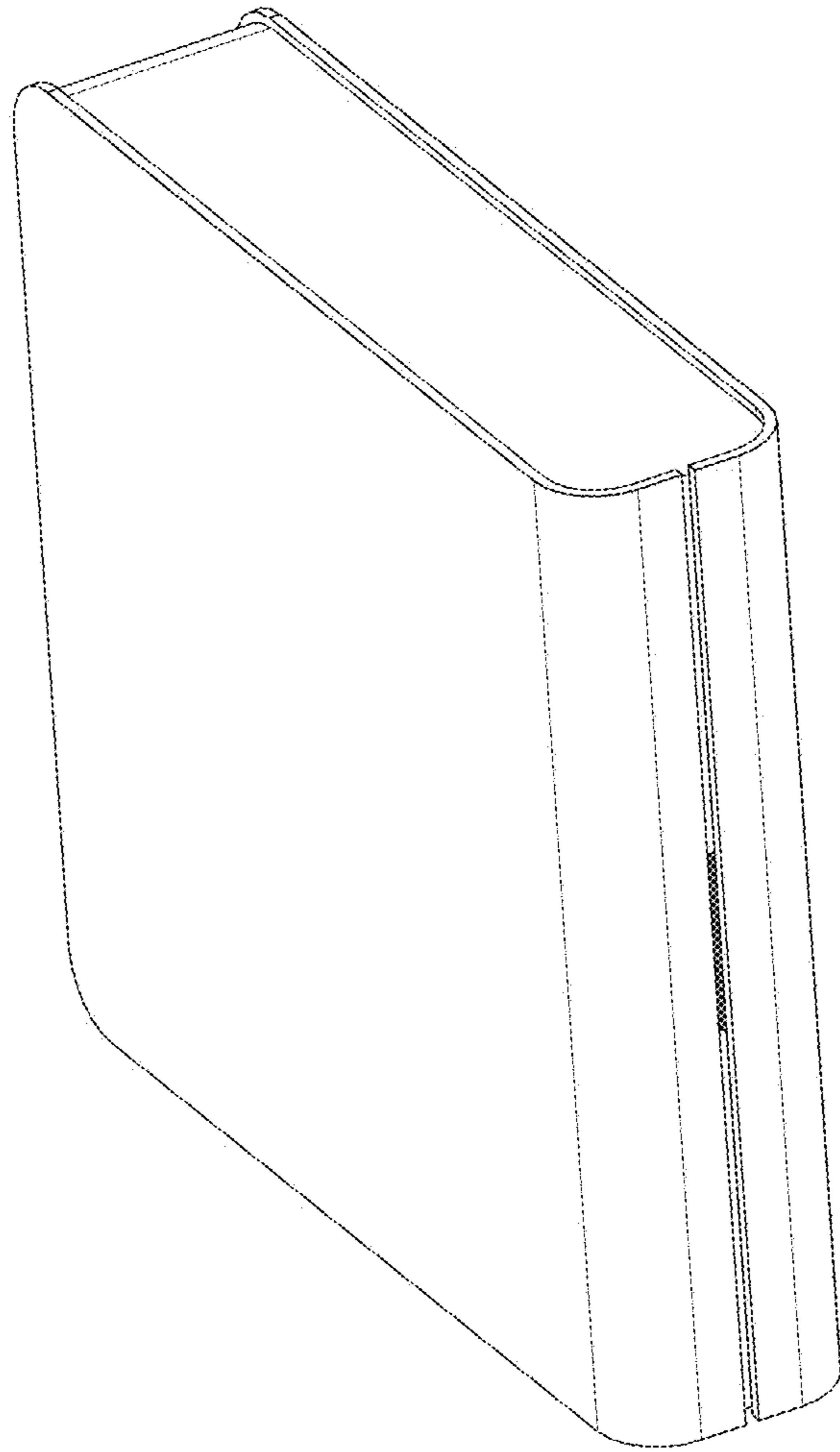


FIG. 9

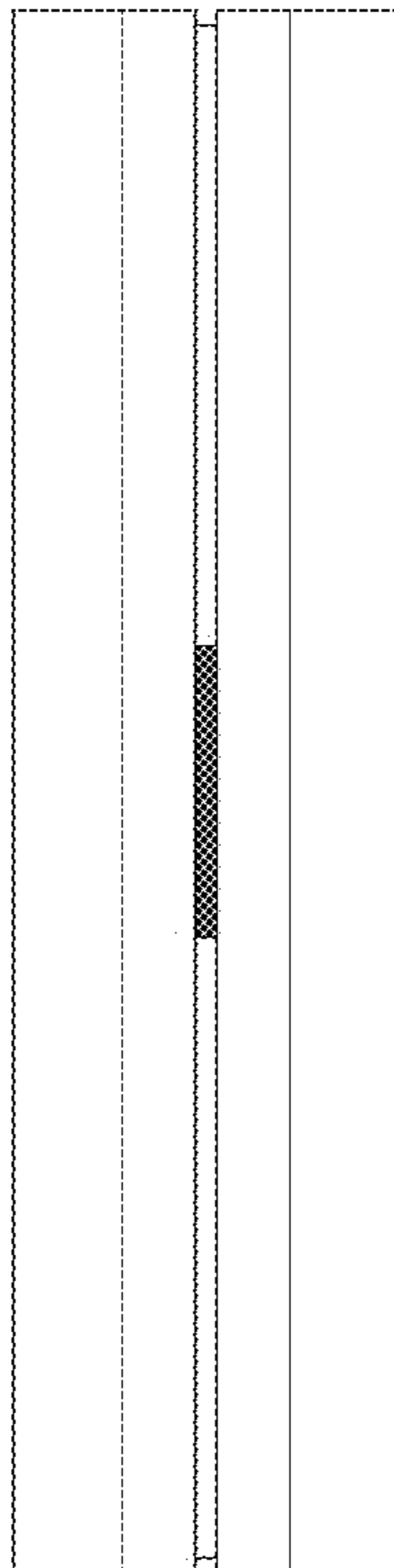


FIG. 10

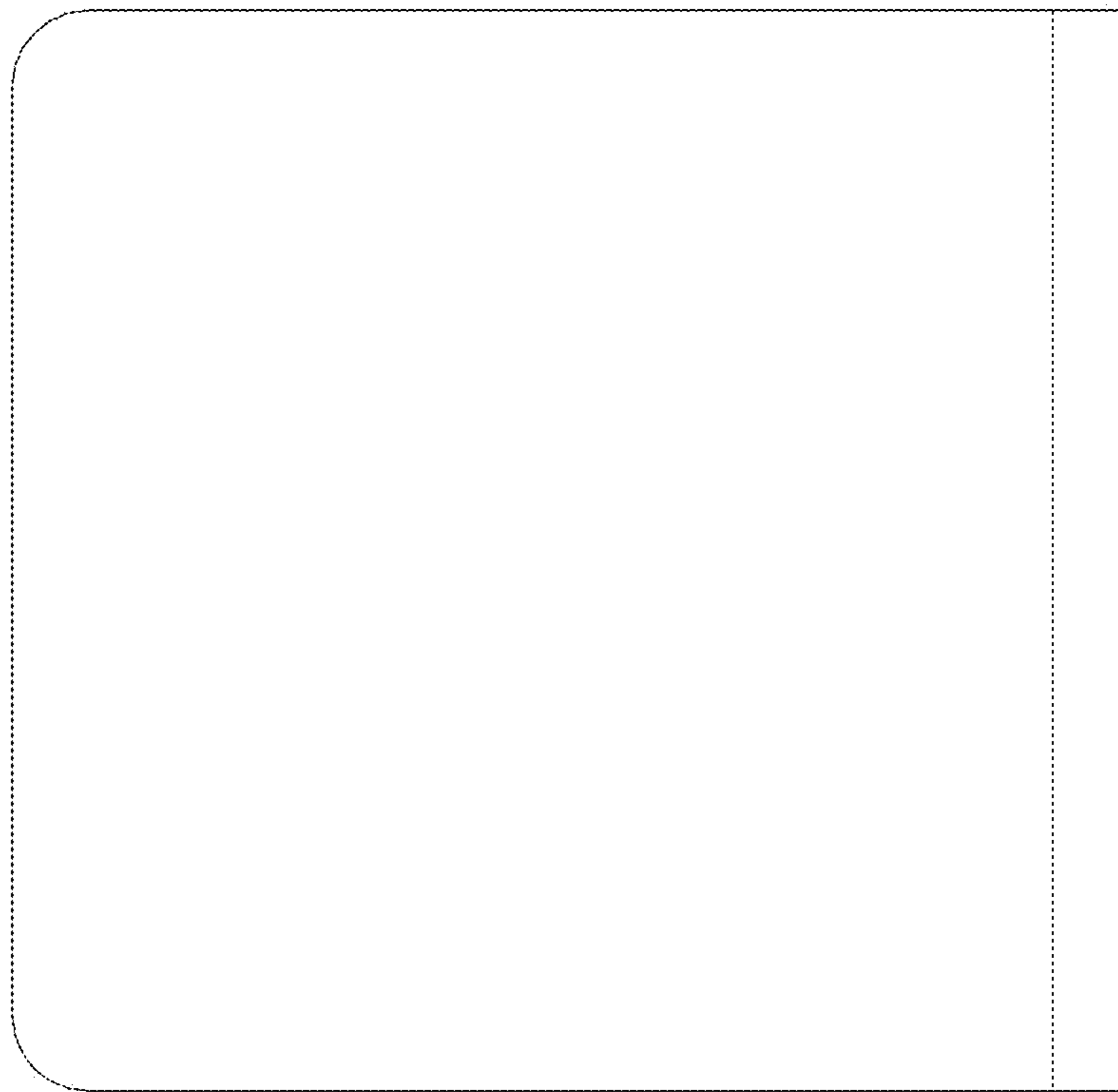


FIG. 11

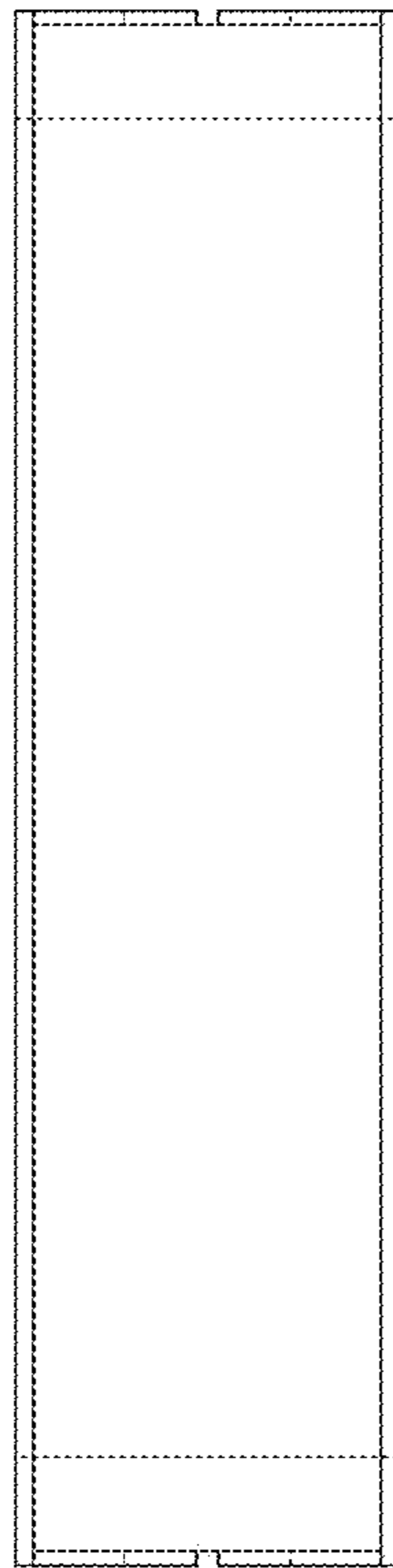


FIG. 12



FIG. 13

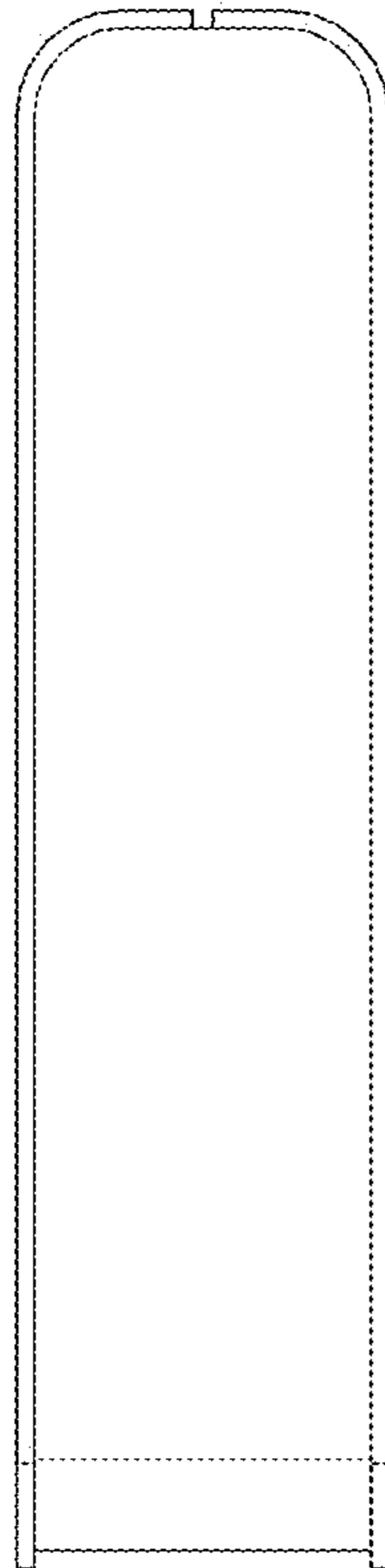


FIG. 14



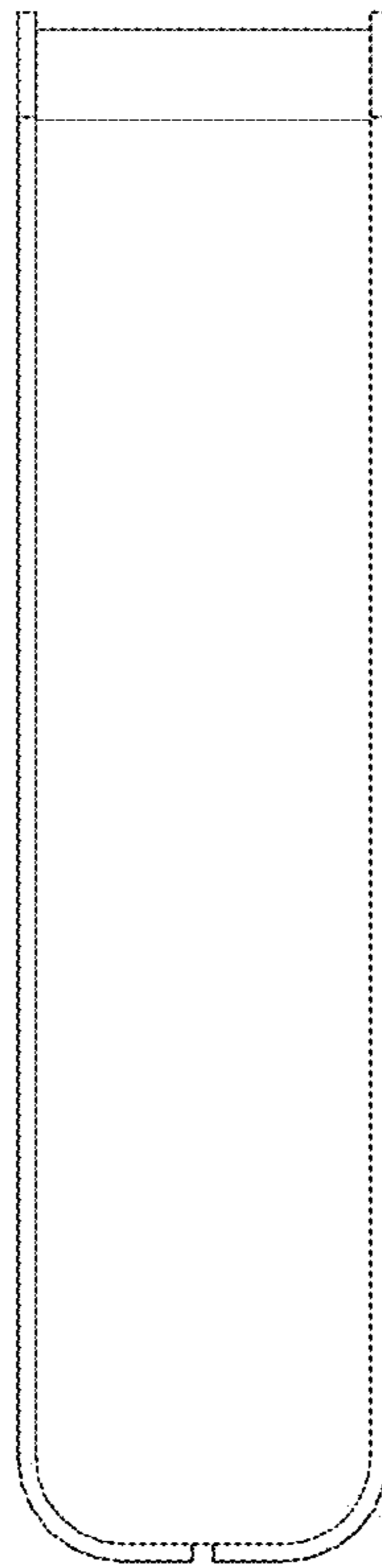


FIG. 15

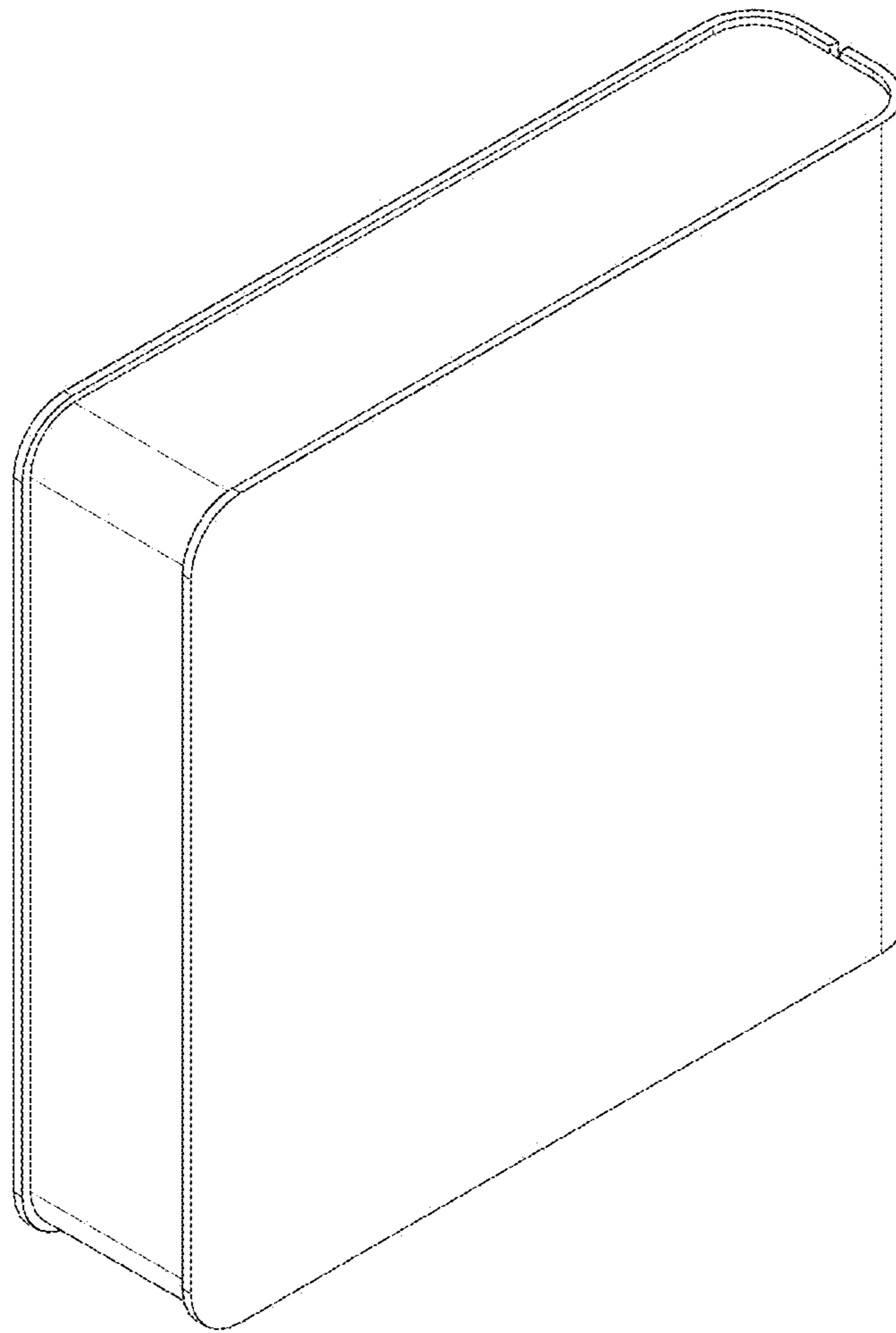


FIG. 16

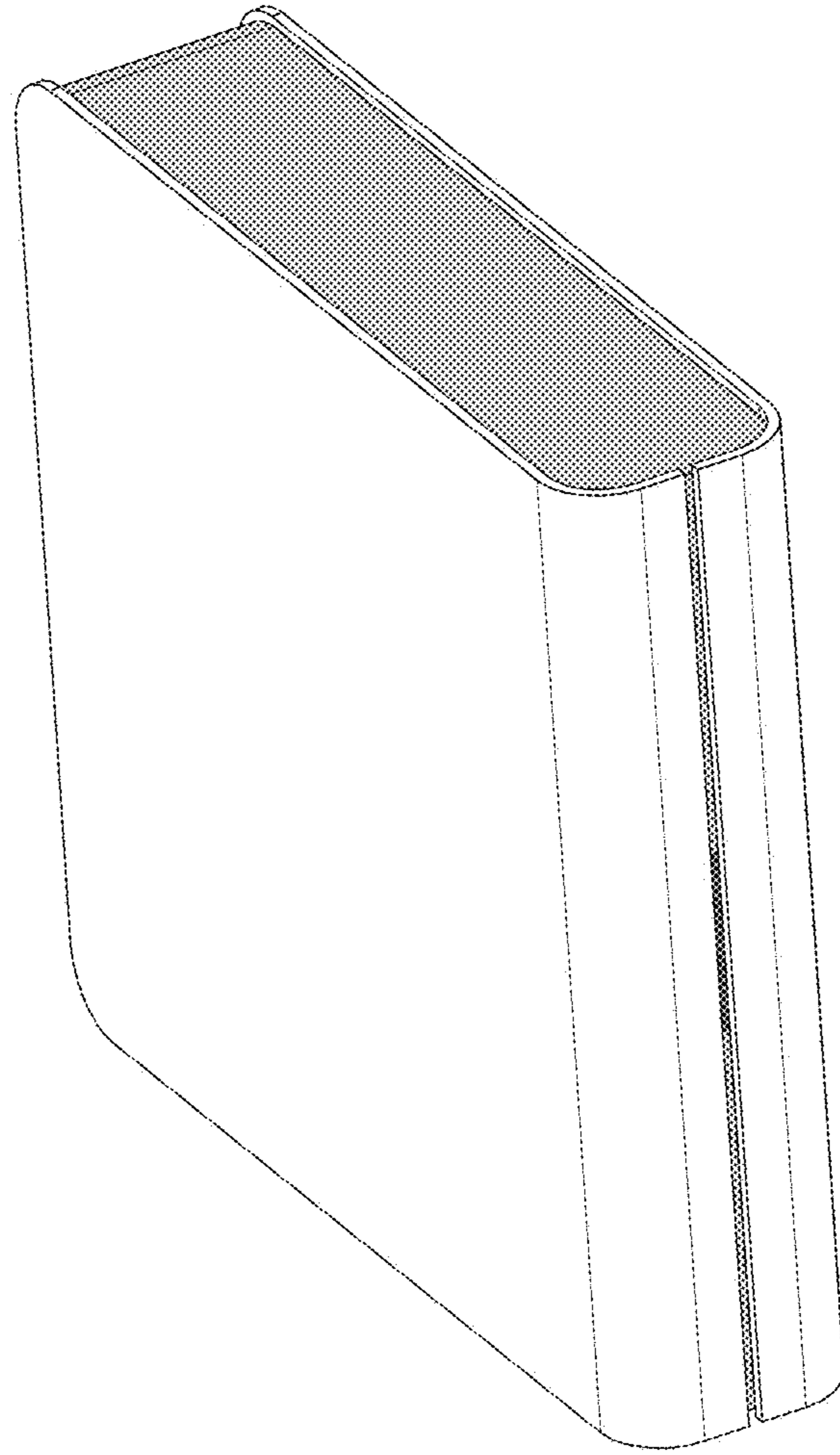


FIG. 17

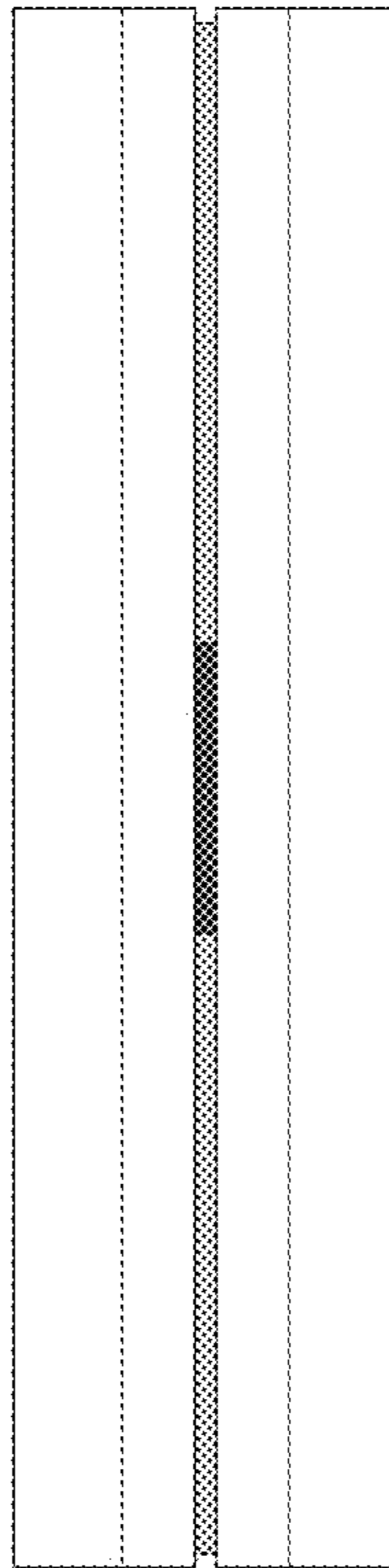


FIG. 18

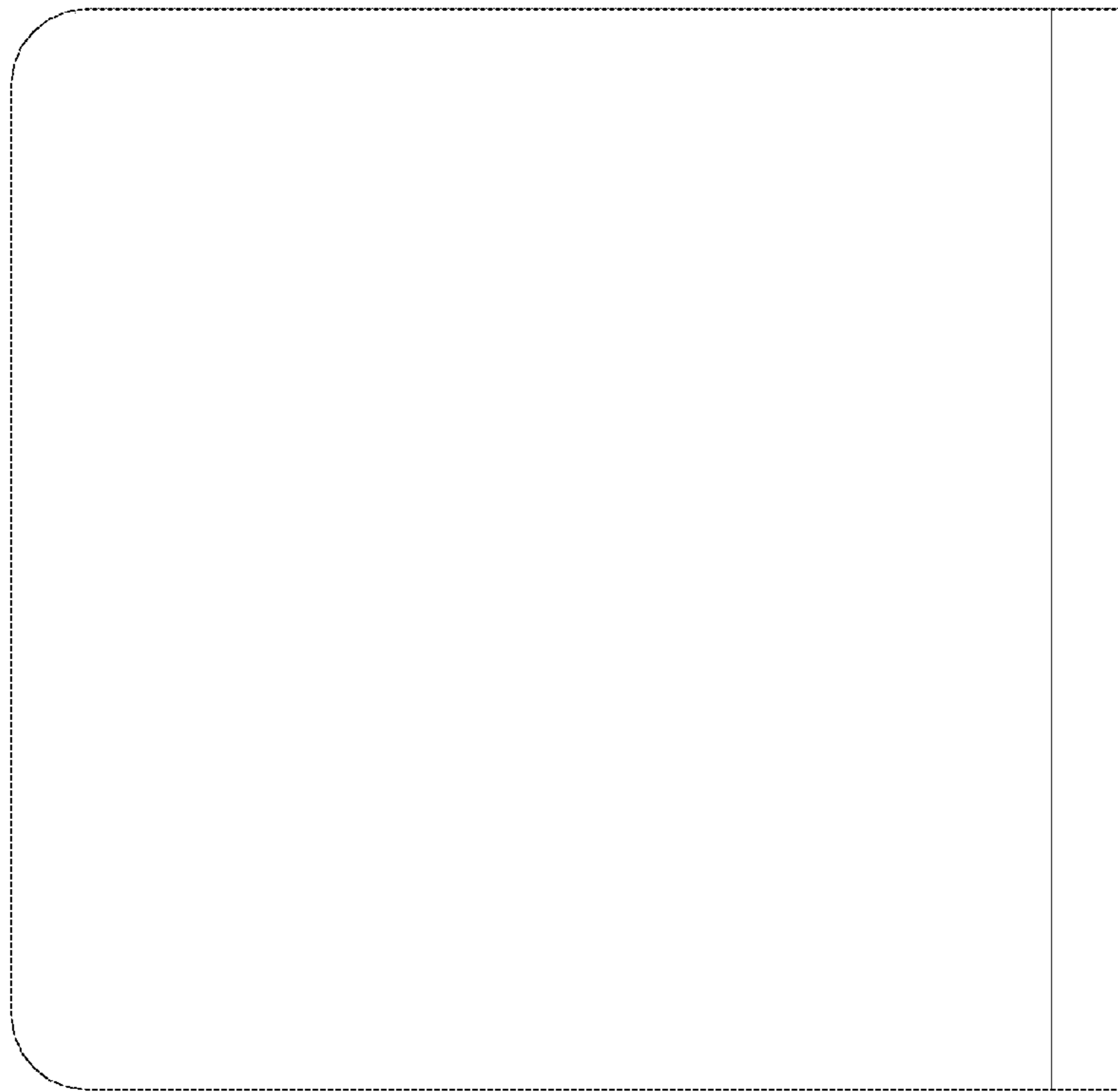


FIG. 19

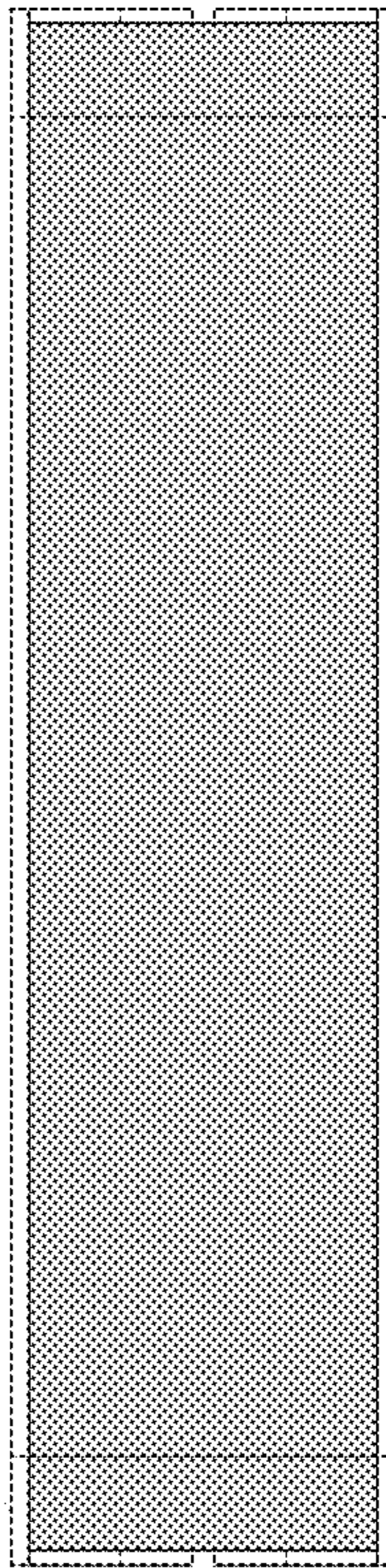


FIG. 20

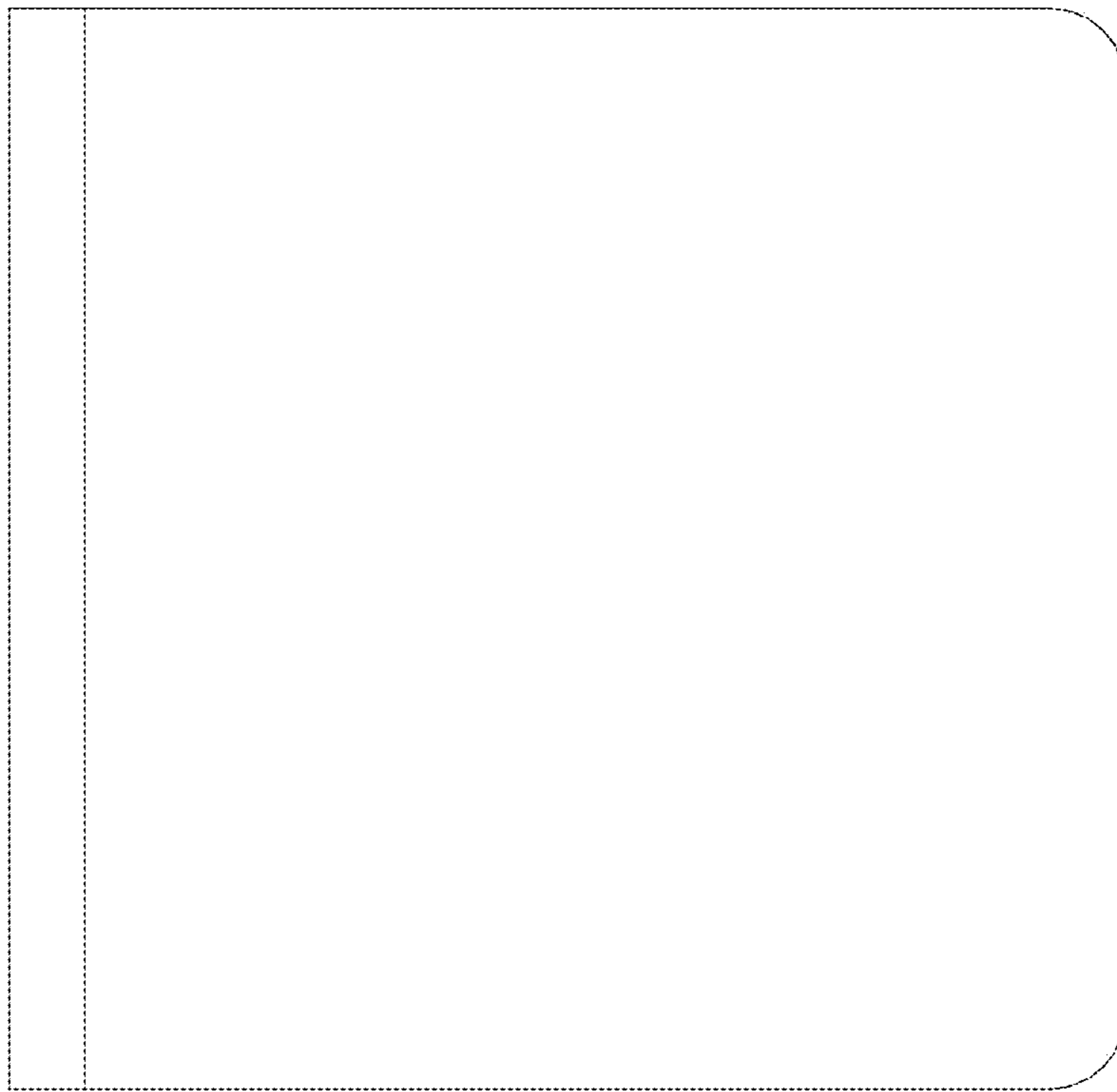


FIG. 21

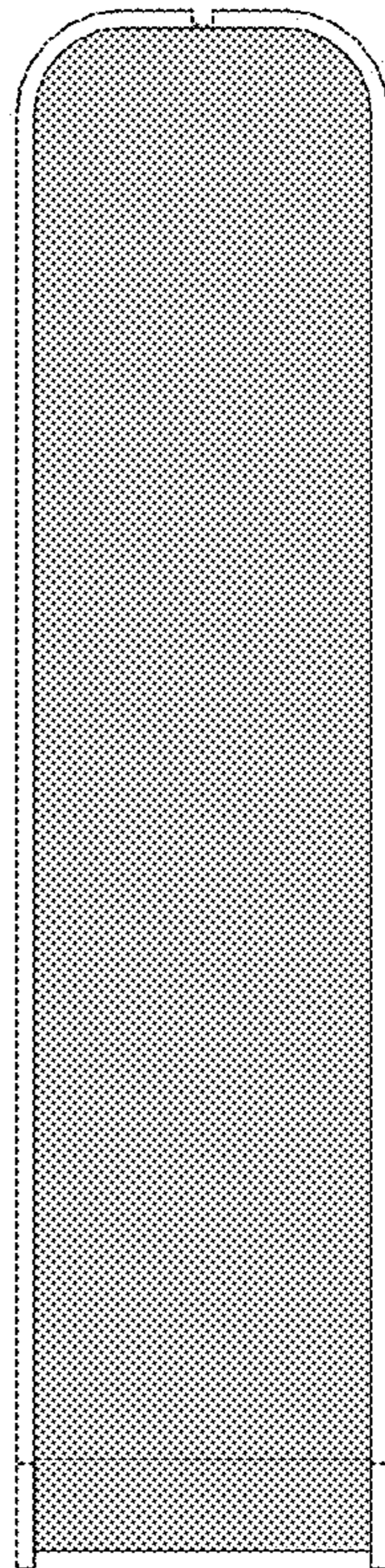


FIG. 22



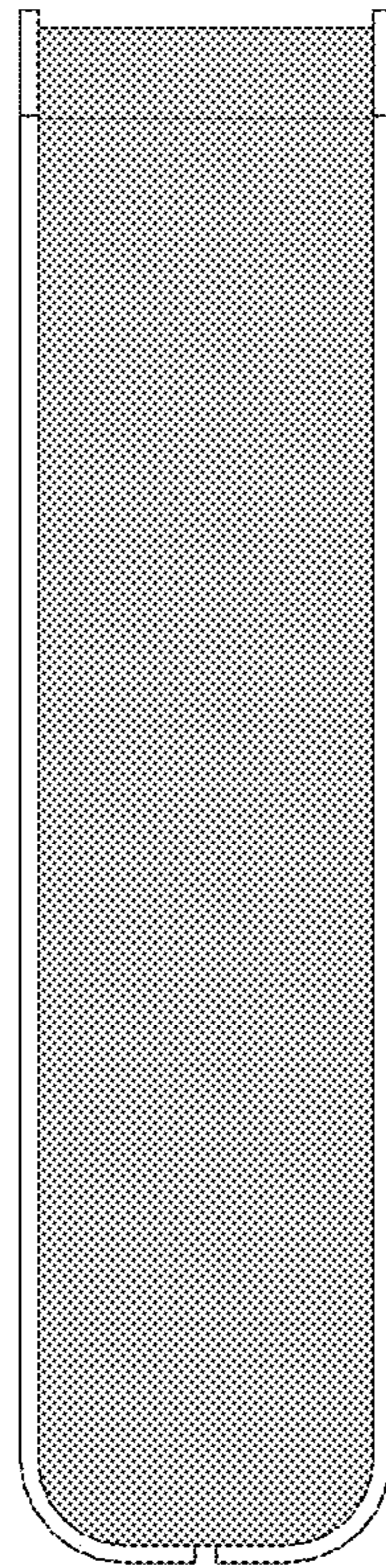


FIG. 23

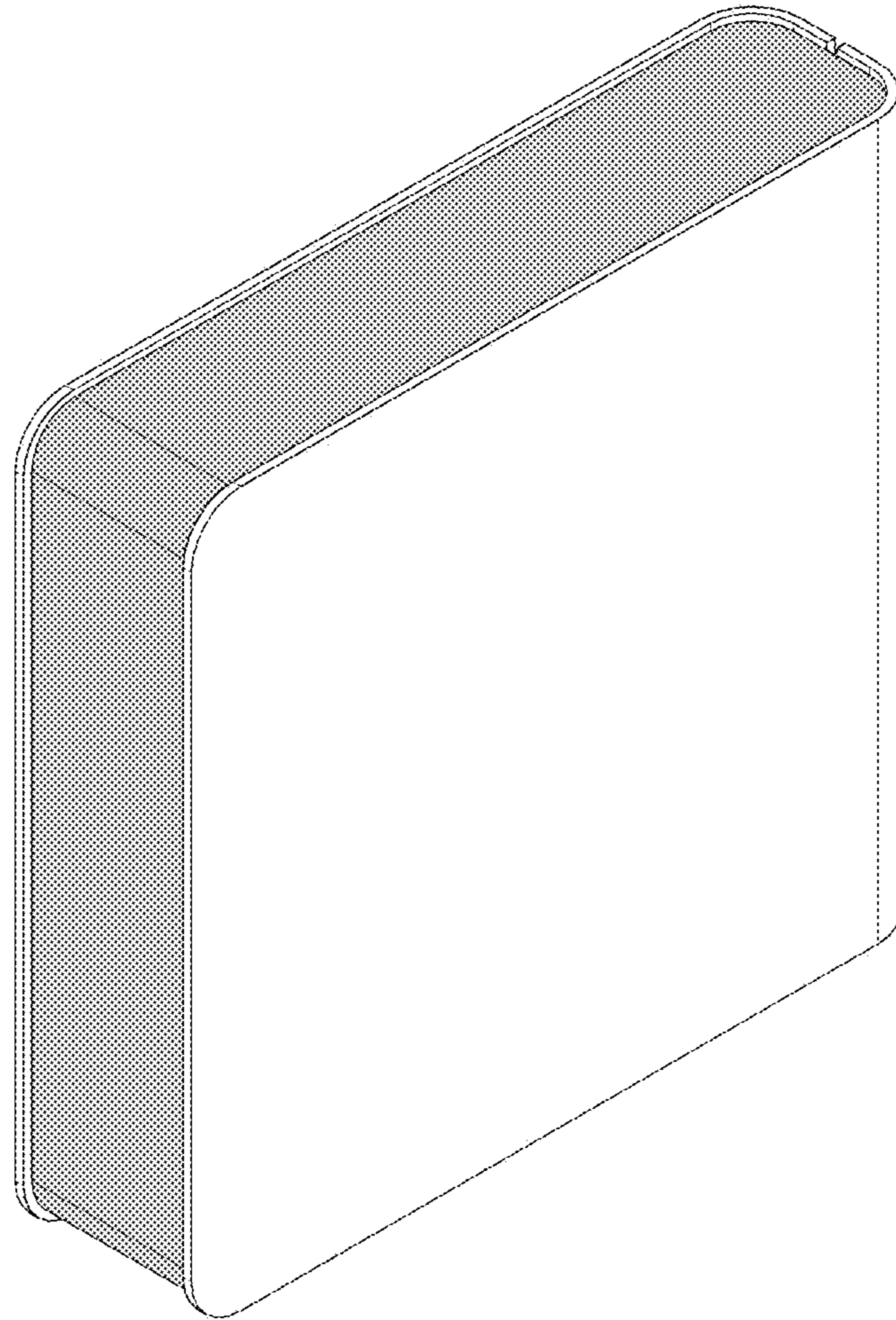


FIG. 24