



US00D826370S

(12) **United States Design Patent** (10) **Patent No.:** **US D826,370 S**
Sarchese et al. (45) **Date of Patent:** **** Aug. 21, 2018**

(54) **UV SANITIZING CHAMBER ASSEMBLY**

Primary Examiner — Robin Valery Webster

(71) Applicant: **Watts Regulator Co.**, North Andover, MA (US)

(74) *Attorney, Agent, or Firm* — Burns & Levinson LLP; George N. Chaclas

(72) Inventors: **Michael Sarchese**, Guelph (CA); **Craig A. Schmitt**, Phoenix, AZ (US)

(57) **CLAIM**

The ornamental design for an UV sanitizing chamber assembly, as shown and described.

(73) Assignee: **Watts Regulator Co.**, North Andover, MA (US)

DESCRIPTION

(**) Term: **15 Years**

(21) Appl. No.: **29/599,228**

(22) Filed: **Mar. 31, 2017**

Related U.S. Application Data

(62) Division of application No. 29/524,583, filed on Apr. 21, 2015, now Pat. No. Des. 787,084.

(51) **LOC (11) Cl.** **23-01**

(52) **U.S. Cl.**
USPC **D23/207**

(58) **Field of Classification Search**
USPC D23/207; D24/209, 210, 217; 250/435, 250/436, 432 R, 454.11, 455.11; D10/49; D13/162; 210/748.1

(Continued)

(56) **References Cited**

U.S. PATENT DOCUMENTS

D140,141 S 1/1945 Glatthar et al.
3,683,177 A 8/1972 Veloz

(Continued)

FOREIGN PATENT DOCUMENTS

WO WO-2000068152 A1 11/2000

OTHER PUBLICATIONS

European Search Report for EP Application No. 16275056.6 dated Jan. 20, 2017, 6 pages.

FIG. 1 is a perspective view of the UV sanitizing chamber assembly according to the present disclosure.
FIG. 2 is a front view of the UV sanitizing chamber assembly according to the present disclosure.
FIG. 3 is a back view of the UV sanitizing chamber assembly according to the present disclosure.
FIG. 4 is a left side view of the UV sanitizing chamber assembly according to the present disclosure.
FIG. 5 is a right view of the UV sanitizing chamber assembly according to the present disclosure.
FIG. 6 is a top view of the UV sanitizing chamber assembly according to the present disclosure.
FIG. 7 is a bottom view of the UV sanitizing chamber assembly according to the present disclosure.
FIG. 8 is a perspective view of the UV sanitizing chamber assembly according to the present disclosure.
FIG. 9 is a front view of the UV sanitizing chamber assembly according to the present disclosure.
FIG. 10 is a back view of the UV sanitizing chamber assembly according to the present disclosure.
FIG. 11 is a left side view of the UV sanitizing chamber assembly according to the present disclosure.
FIG. 12 is a right view of the UV sanitizing chamber assembly according to the present disclosure.
FIG. 13 is a top view of the UV sanitizing chamber assembly according to the present disclosure.
FIG. 14 is a bottom view of the UV sanitizing chamber assembly according to the present disclosure.
FIG. 15 is a perspective view of the UV sanitizing chamber assembly according to the present disclosure.
FIG. 16 is a front view of the UV sanitizing chamber assembly according to the present disclosure.
FIG. 17 is a back view of the UV sanitizing chamber assembly according to the present disclosure.

(Continued)

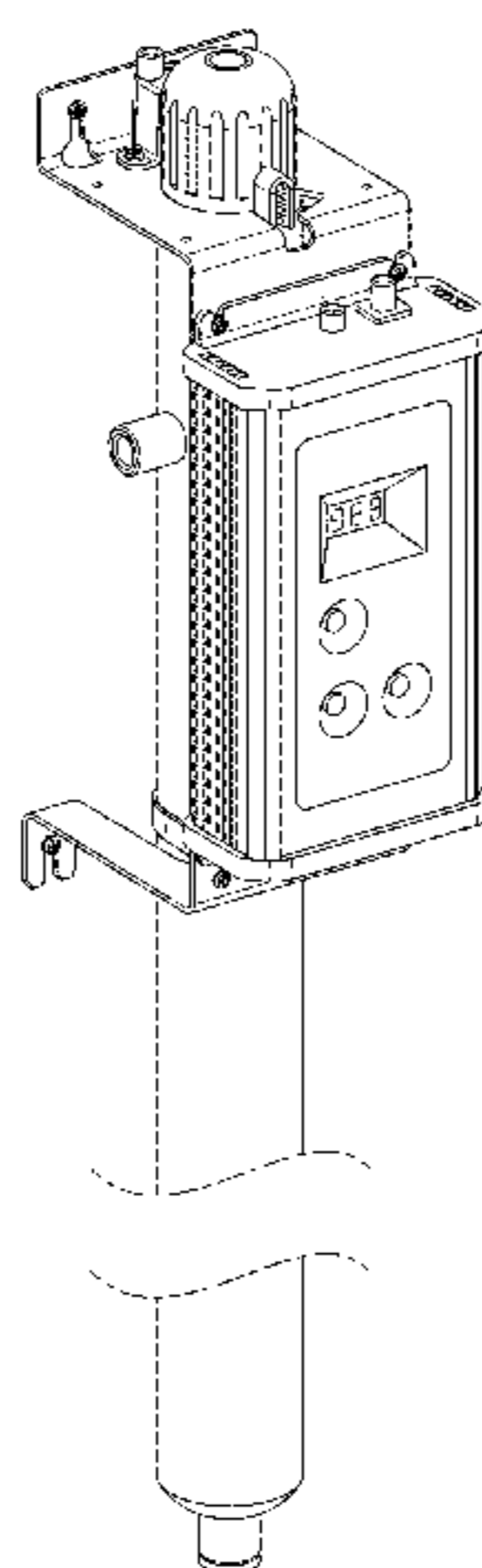


FIG. 18 is a left side view of the UV sanitizing chamber assembly according to the present disclosure.
 FIG. 19 is a right view of the UV sanitizing chamber assembly according to the present disclosure.
 FIG. 20 is a top view of the UV sanitizing chamber assembly according to the present disclosure; and,
 FIG. 21 is a bottom view of the UV sanitizing chamber assembly according to the present disclosure.
 The sanitizer assembly in FIGS. 1-5 and 15-19 is shown with a dot-dash-dot break to indicate non-specified length. The appearance of any portion of the article between the break lines forms no part of the claimed design. The dotted lines in FIGS. 15-19 shows a portion of the sanitizer that forms no part of the claimed design.

1 Claim, 6 Drawing Sheets

(58) **Field of Classification Search**
 CPC C02F 1/32; C02F 1/325; A61L 2/10
 See application file for complete search history.

(56) **References Cited**

U.S. PATENT DOCUMENTS

4,017,734 A 4/1977 Ross
 4,700,101 A 10/1987 Ellner et al.

5,334,905 A	8/1994	Ullrich	
5,393,419 A	2/1995	Tiede et al.	
5,547,590 A	8/1996	Szabo	
6,797,966 B2 *	9/2004	Summers A61L 2/08 250/436
6,960,321 B1	11/2005	Ludwig	
7,064,342 B2 *	6/2006	Guzorek F24F 3/16 250/365
D581,058 S *	11/2008	Elkerbout D24/217
D598,578 S	8/2009	Hanley	
D598,579 S	8/2009	Hanley	
7,569,981 B1	8/2009	Ciancanelli	
8,143,596 B2 *	3/2012	Yerby A61L 2/10 250/455.11
8,395,134 B2	3/2013	Penhale et al.	
8,541,758 B1 *	9/2013	Filson, II C02F 1/325 250/453.11
8,674,322 B2	3/2014	Kohler	
8,710,459 B1 *	4/2014	Davis, III C02F 1/325 210/440
8,890,087 B2	11/2014	Ben-David et al.	
D760,346 S *	6/2016	Davis, III A61L 2/08 D23/207
9,738,547 B2 *	8/2017	Schmitt C02F 1/325
2009/0261264 A1	10/2009	Hormann	
2014/0077696 A1	3/2014	Kuennen et al.	
2014/0158905 A1	6/2014	Hoang	

* cited by examiner

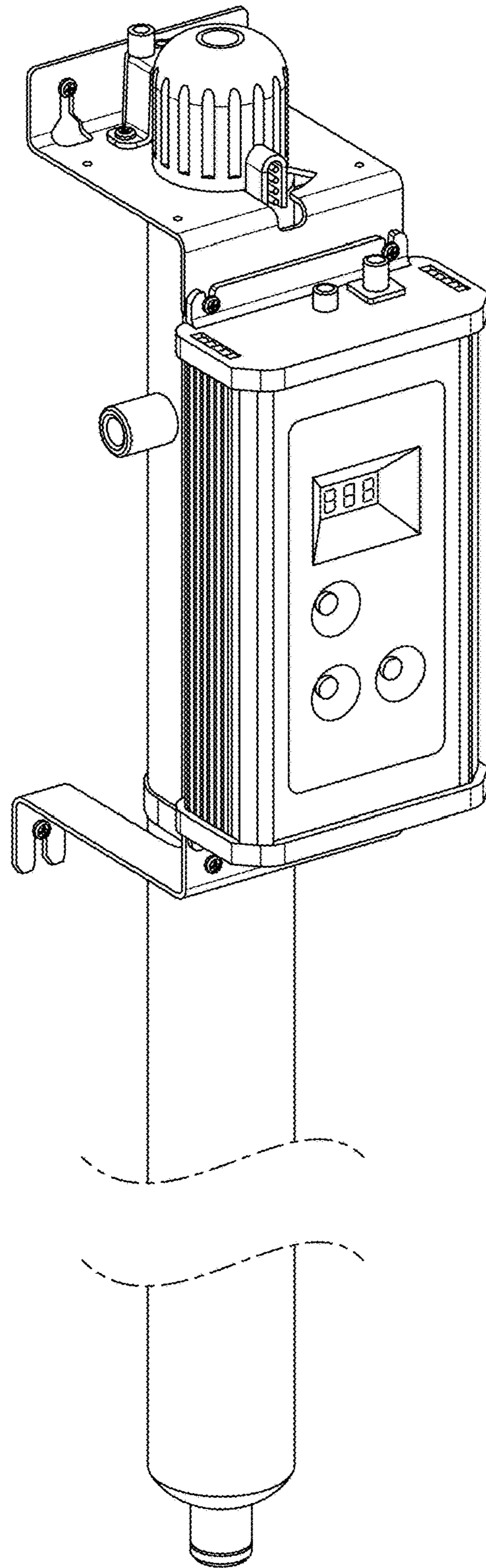


FIG. 1

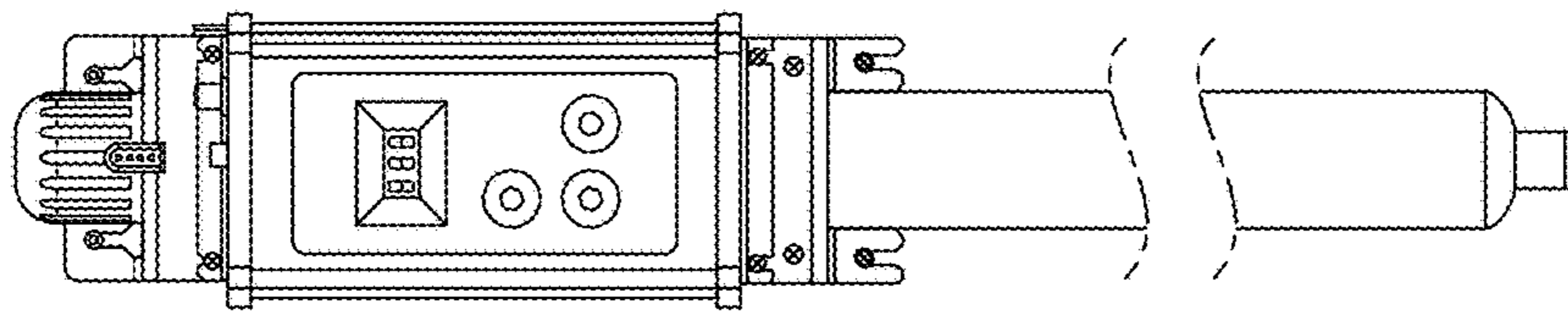


FIG. 2

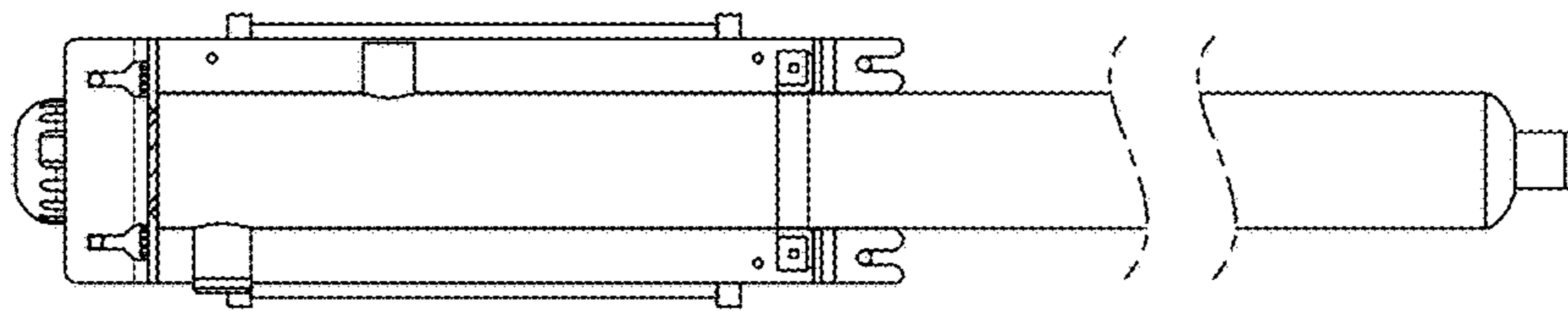


FIG. 3

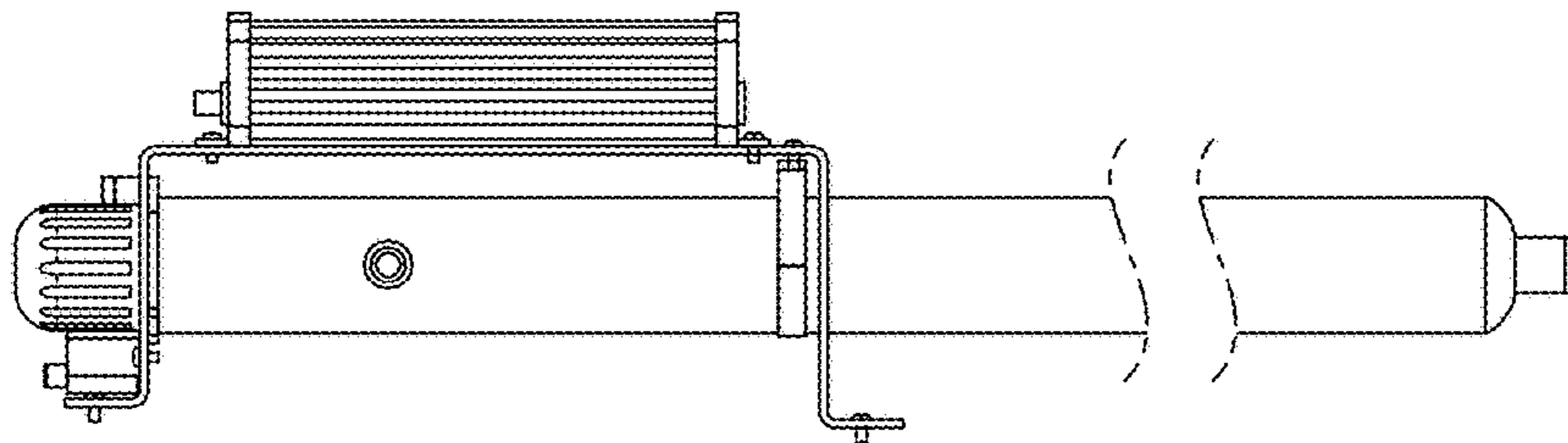


FIG. 4

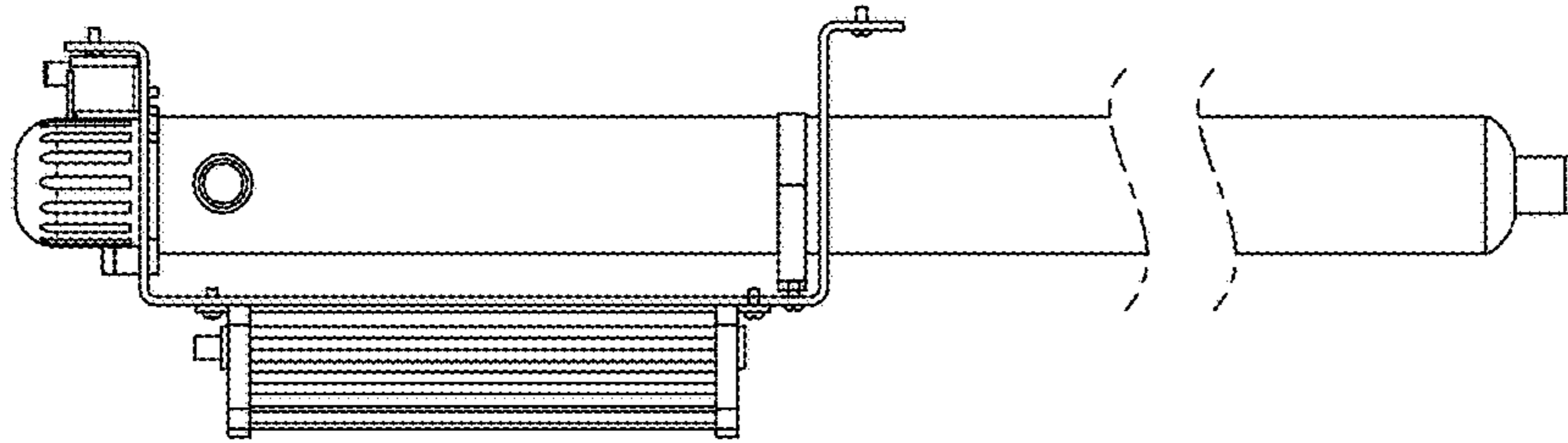


FIG. 5

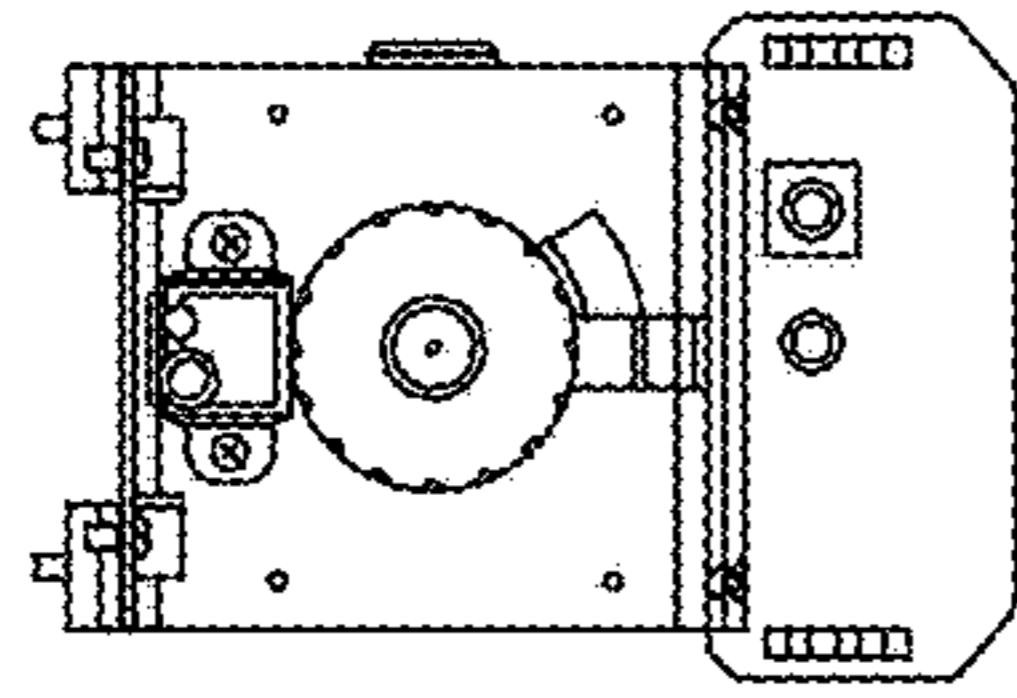


FIG. 6

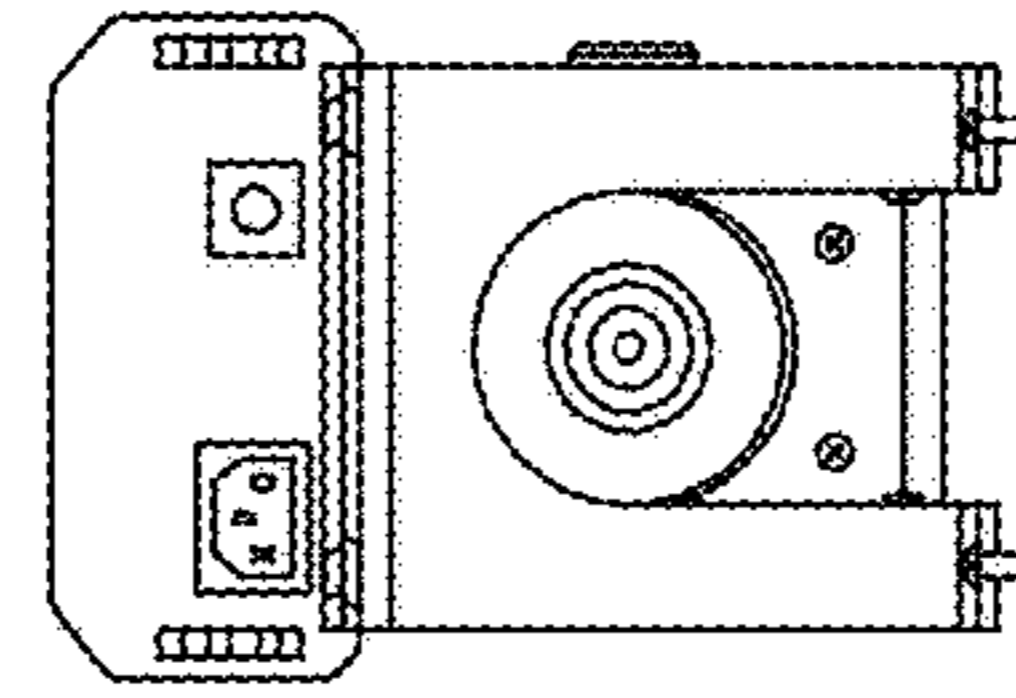


FIG. 7

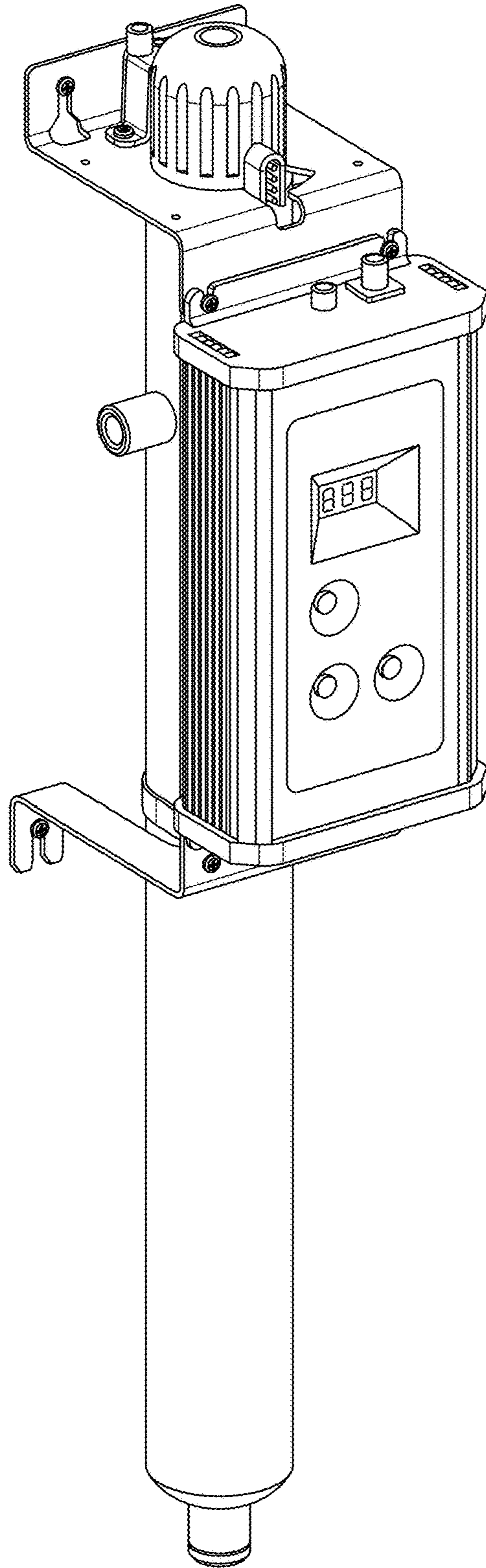


FIG. 8

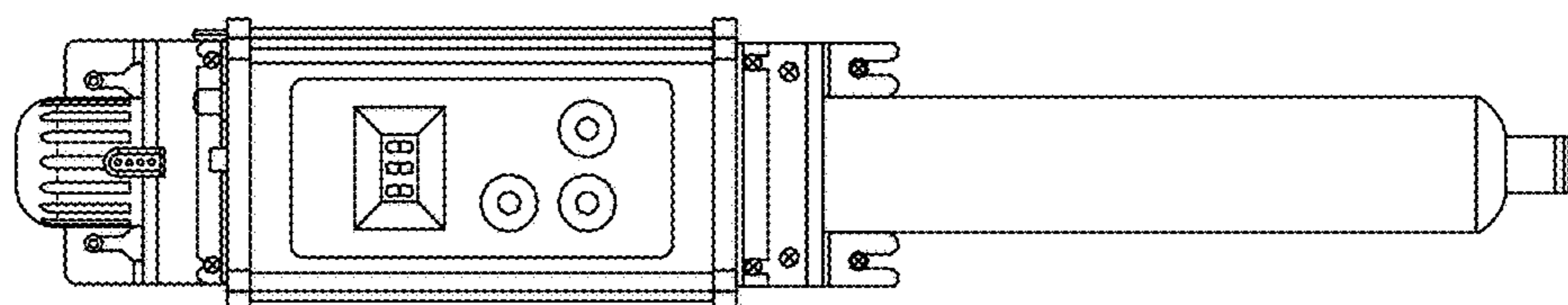


FIG. 9

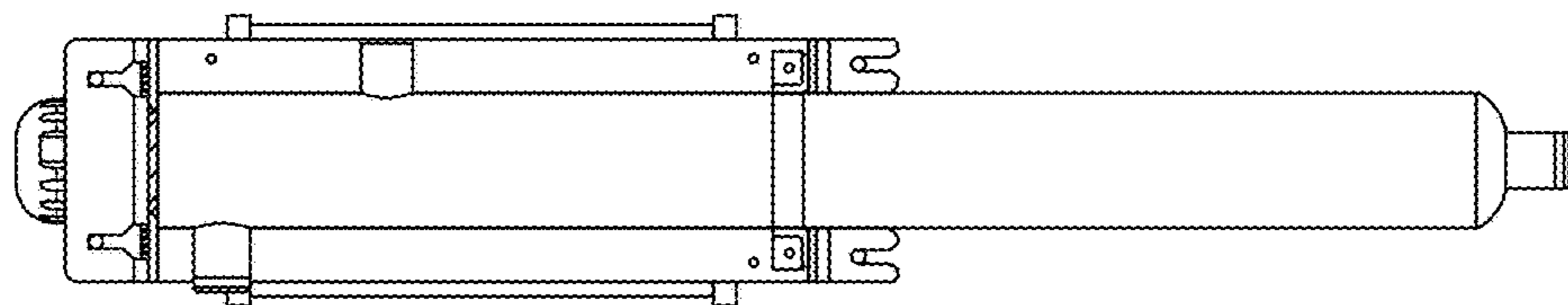


FIG. 10

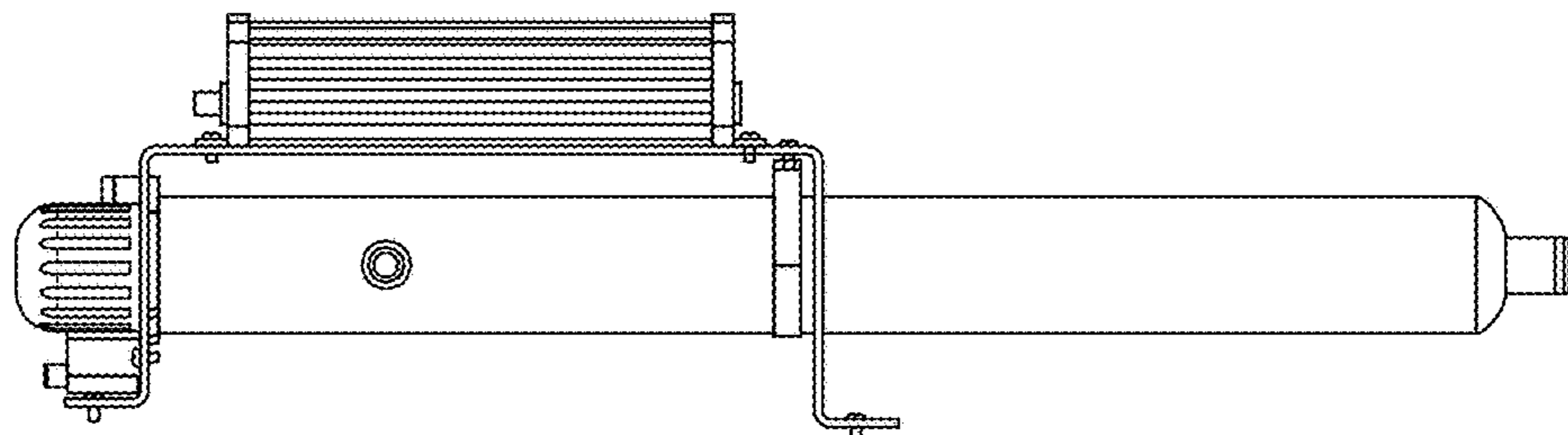


FIG. 11

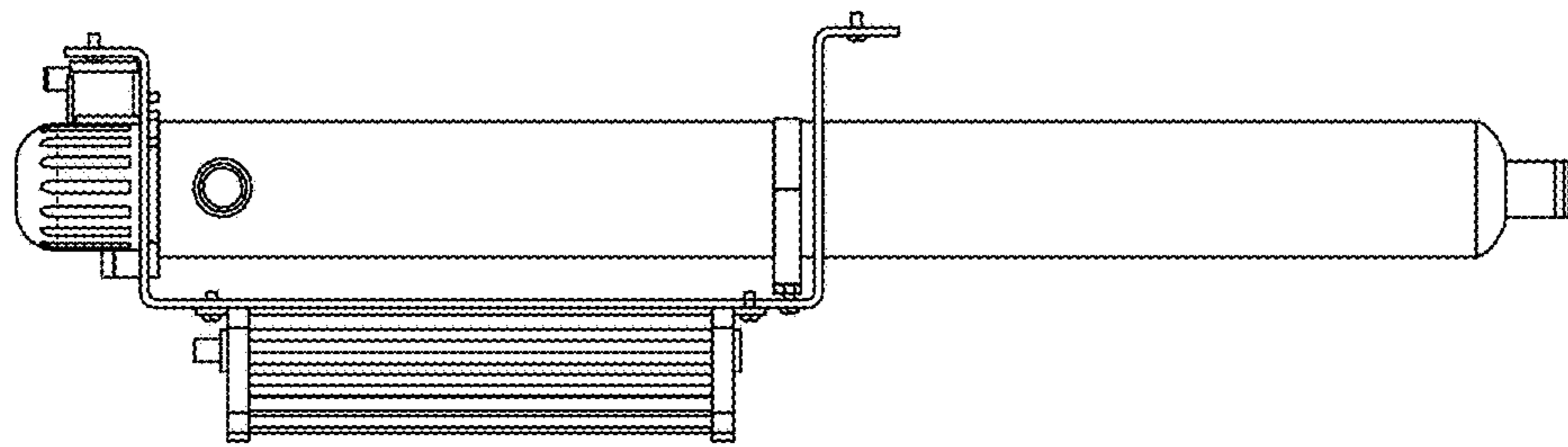


FIG. 12

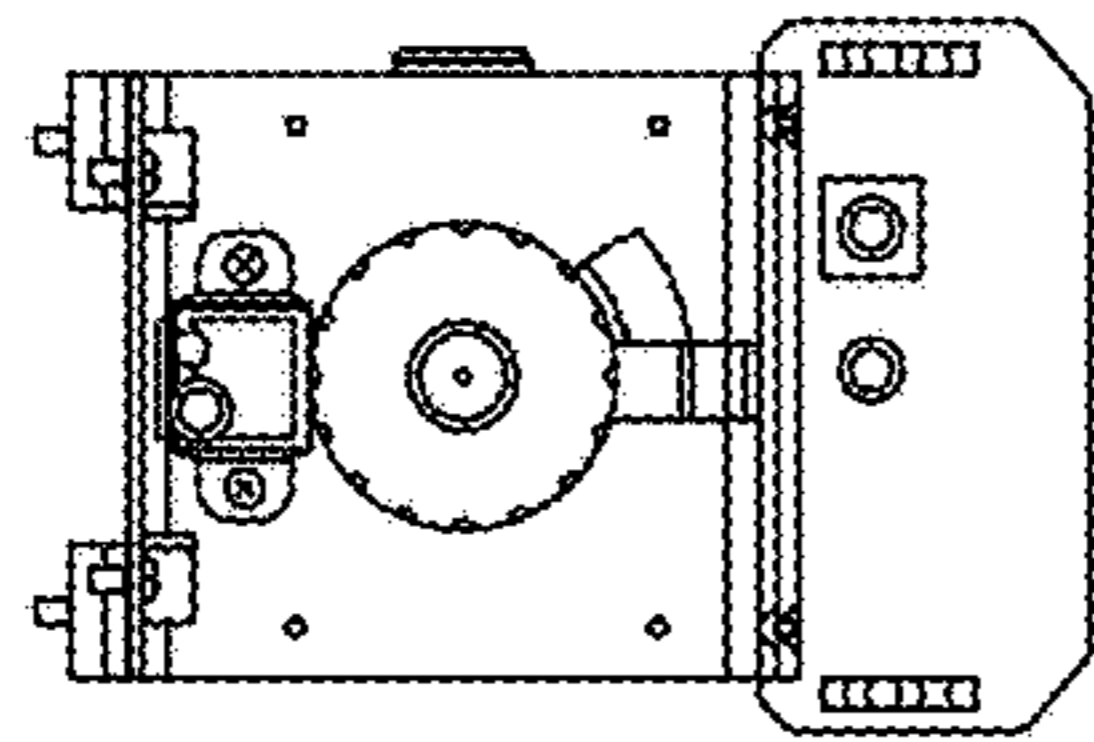


FIG. 13

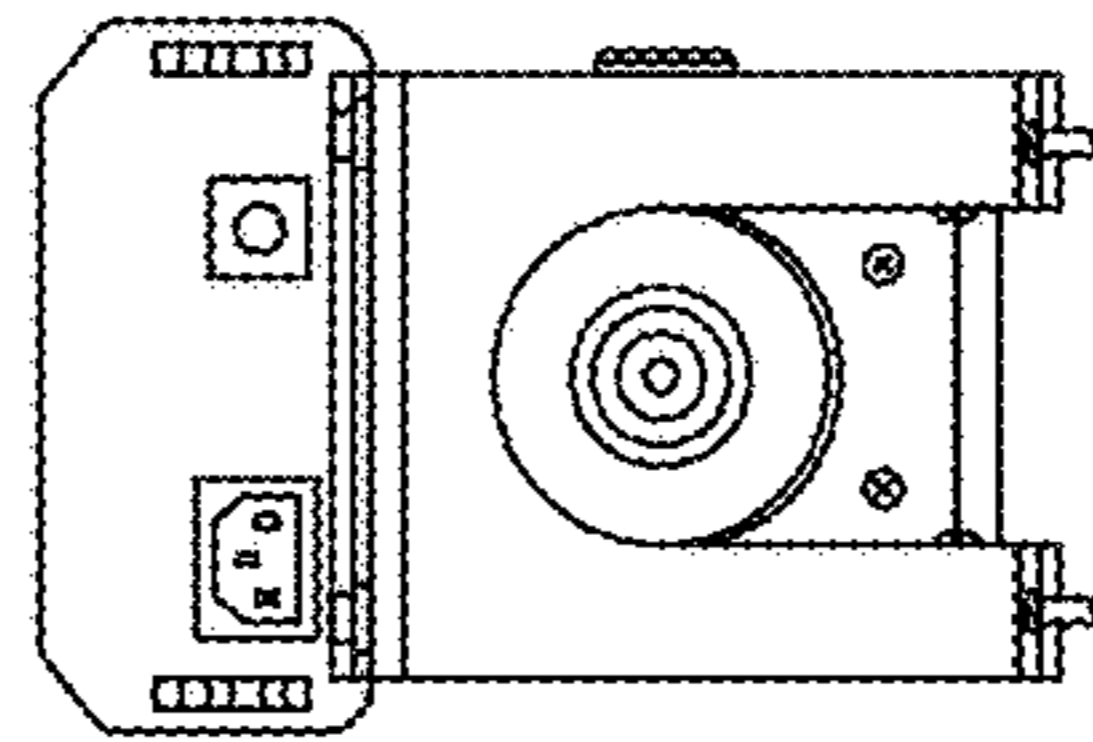


FIG. 14

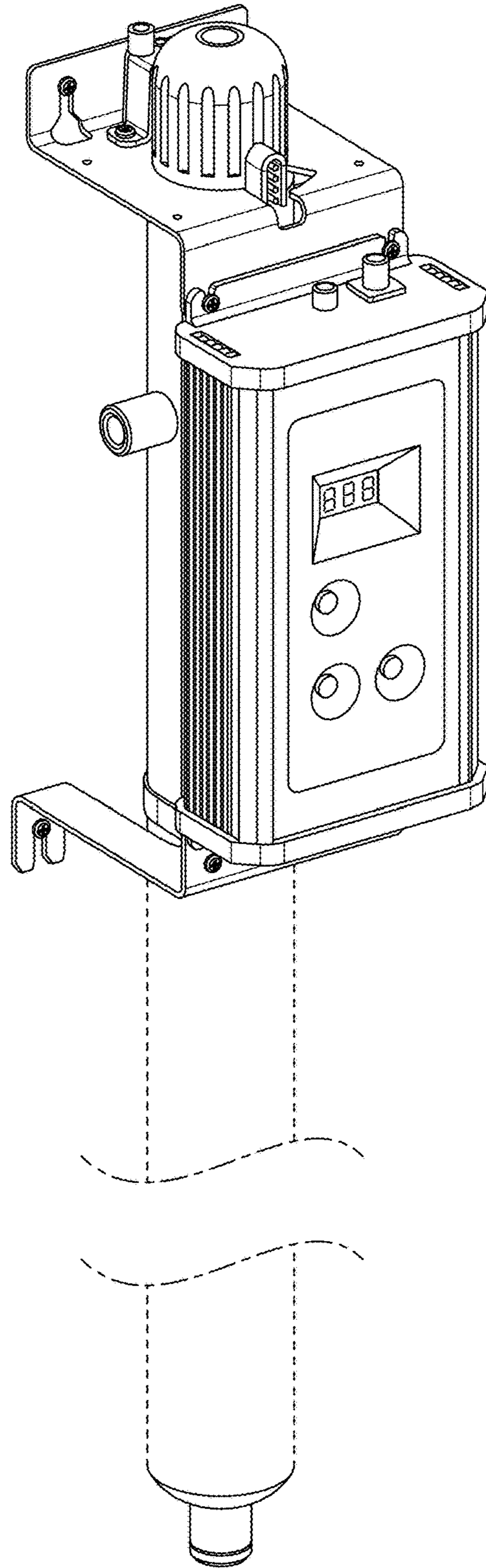


FIG. 15

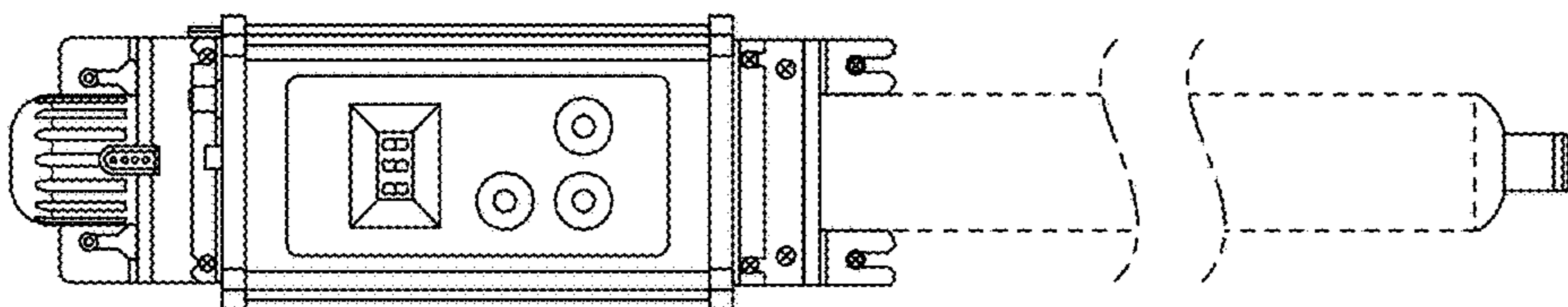


FIG. 16

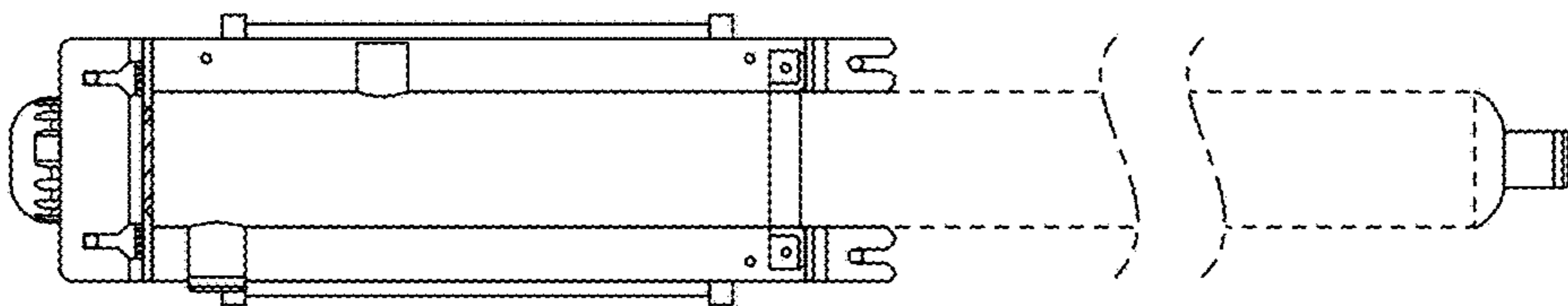


FIG. 17

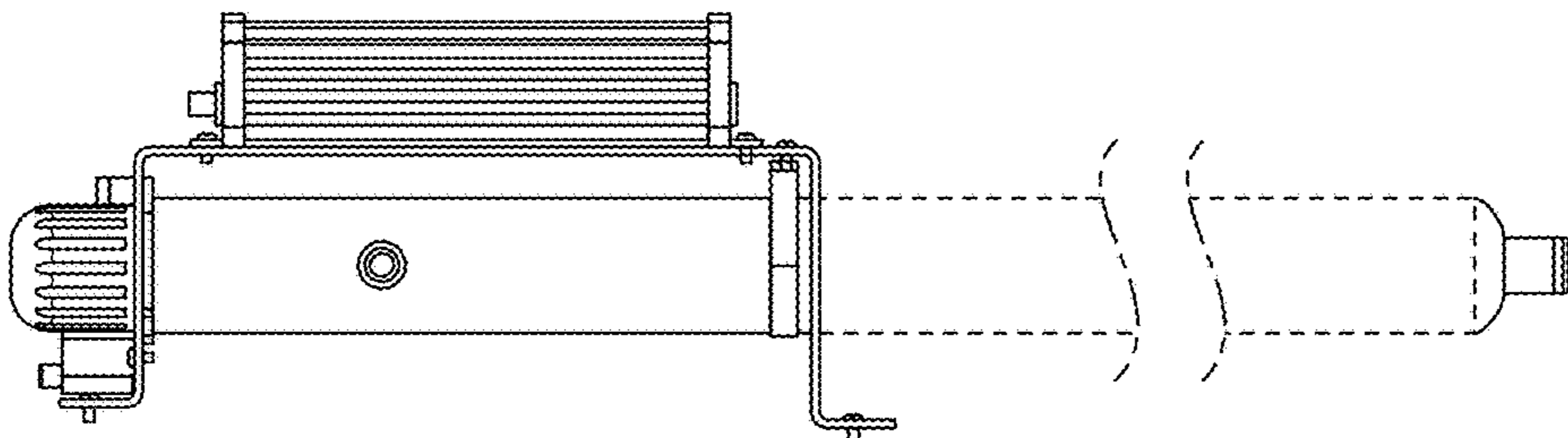


FIG. 18

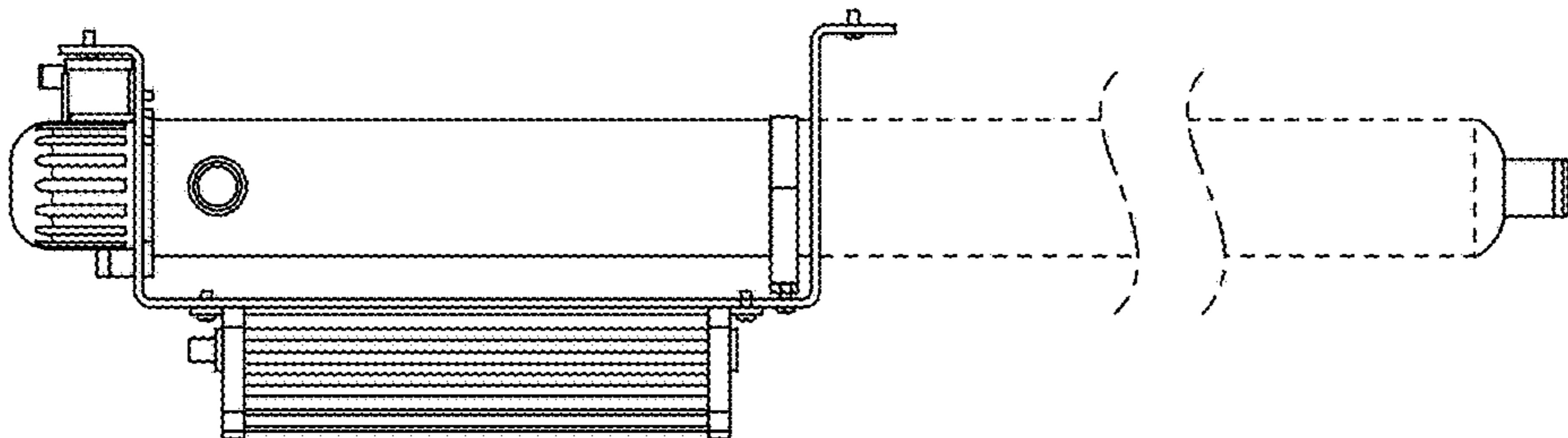


FIG. 19

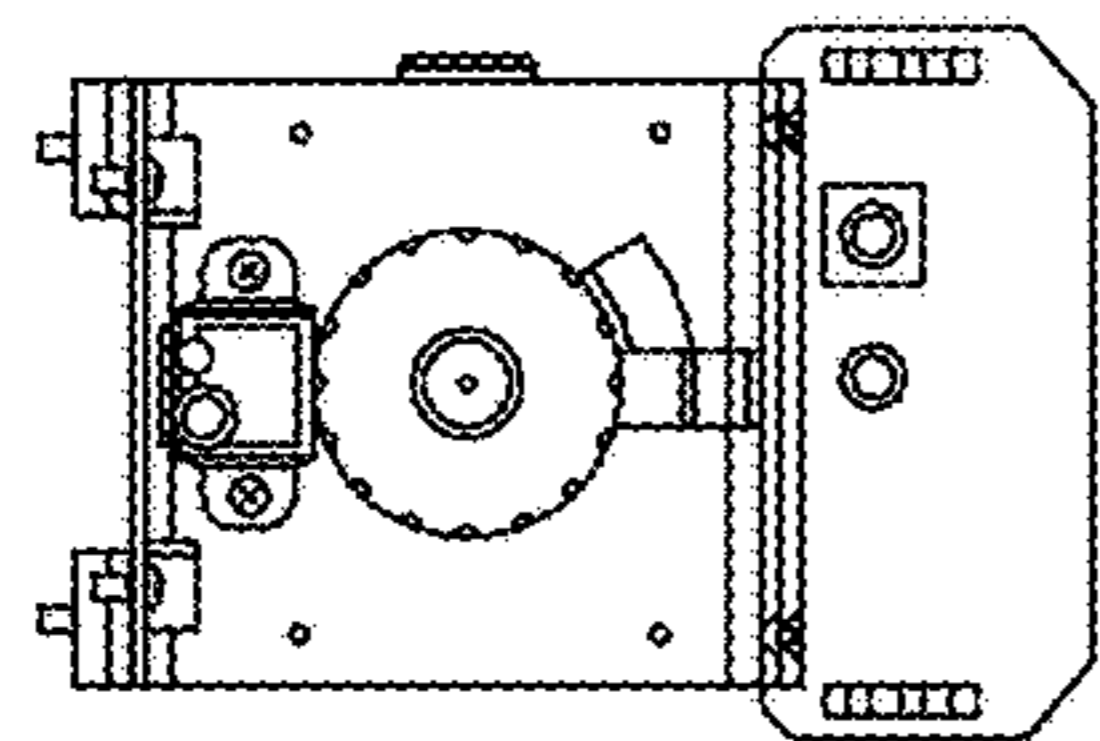


FIG. 20

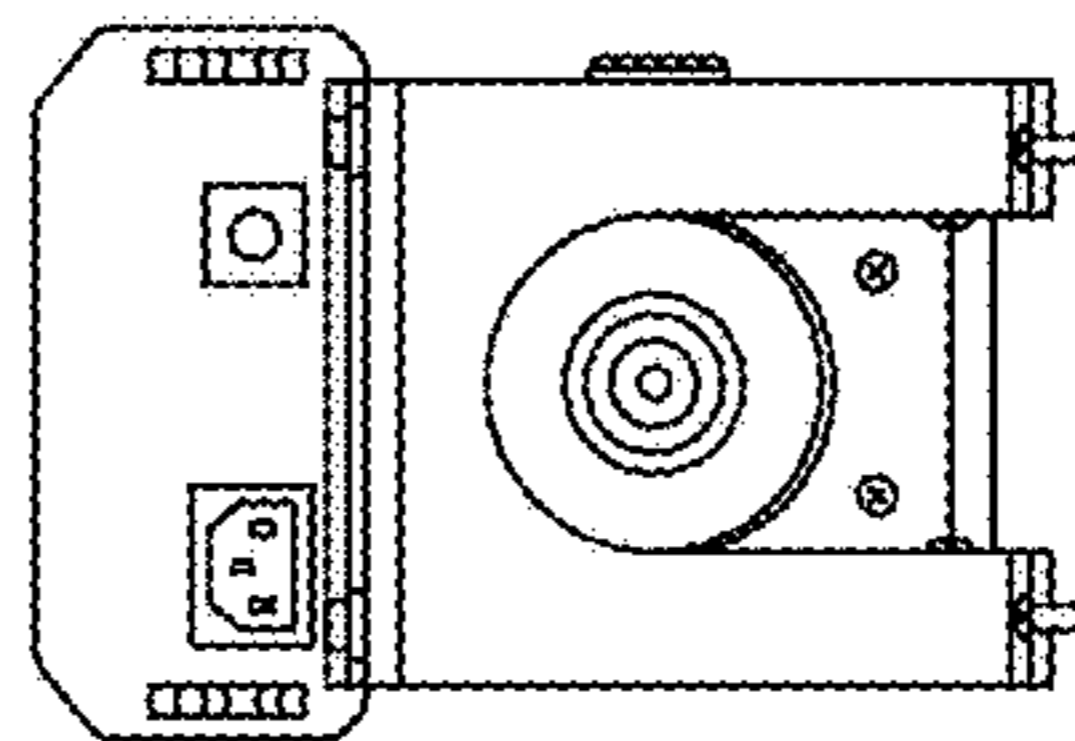


FIG. 21