



US00D826368S

(12) **United States Design Patent** (10) **Patent No.:** **US D826,368 S**  
**Waterman** (45) **Date of Patent:** **\*\* Aug. 21, 2018**

(54) **FLY TYING APPARATUS**  
 (71) Applicant: **Chuck Waterman**, San Diego, CA (US)  
 (72) Inventor: **Chuck Waterman**, San Diego, CA (US)  
 (\*\*) Term: **15 Years**  
 (21) Appl. No.: **29/593,443**  
 (22) Filed: **Feb. 8, 2017**  
 (51) **LOC (11) Cl.** ..... **22-05**  
 (52) **U.S. Cl.**  
 USPC ..... **D22/134**  
 (58) **Field of Classification Search**  
 USPC ..... D22/134; 242/129.53; 43/57.1, 57.2, 20;  
 D3/260, 315; 206/315.11  
 CPC ..... A01K 97/00; A01K 97/06; A01K 97/26  
 See application file for complete search history.

*Primary Examiner* — Catherine R Oliver-Garcia  
 (74) *Attorney, Agent, or Firm* — Gazdzinski & Associates, PC

(57) **CLAIM**

The ornamental design for a fly tying apparatus, as shown and described.

**DESCRIPTION**

FIG. 1 is a perspective view of a first embodiment of a fly tying apparatus, showing the new design;  
 FIG. 2 is a top plan view of the fly tying apparatus of FIG. 1;  
 FIG. 3 is a bottom plan view of the fly tying apparatus of FIG. 1;  
 FIG. 4 is a front elevation view of the fly tying apparatus of FIG. 1;  
 FIG. 5 is a right side elevation of the fly tying apparatus of FIG. 1;  
 FIG. 6 is a left side elevation view of the fly tying apparatus of FIG. 1;  
 FIG. 7 is a rear elevation view of the fly tying apparatus of FIG. 1;  
 FIG. 8 is a perspective view of a second embodiment of a fly tying apparatus, showing the new design;  
 FIG. 9 is a top plan view of the fly tying apparatus of FIG. 8;  
 FIG. 10 is a bottom plan view of the fly tying apparatus of FIG. 8;  
 FIG. 11 is a front elevation view of the fly tying apparatus of FIG. 8;  
 FIG. 12 is a left side elevation view of the fly tying apparatus of FIG. 8;  
 FIG. 13 is a rear elevation view of the fly tying apparatus of FIG. 8; and,  
 FIG. 14 is a right side elevation view of the fly tying apparatus of FIG. 8.

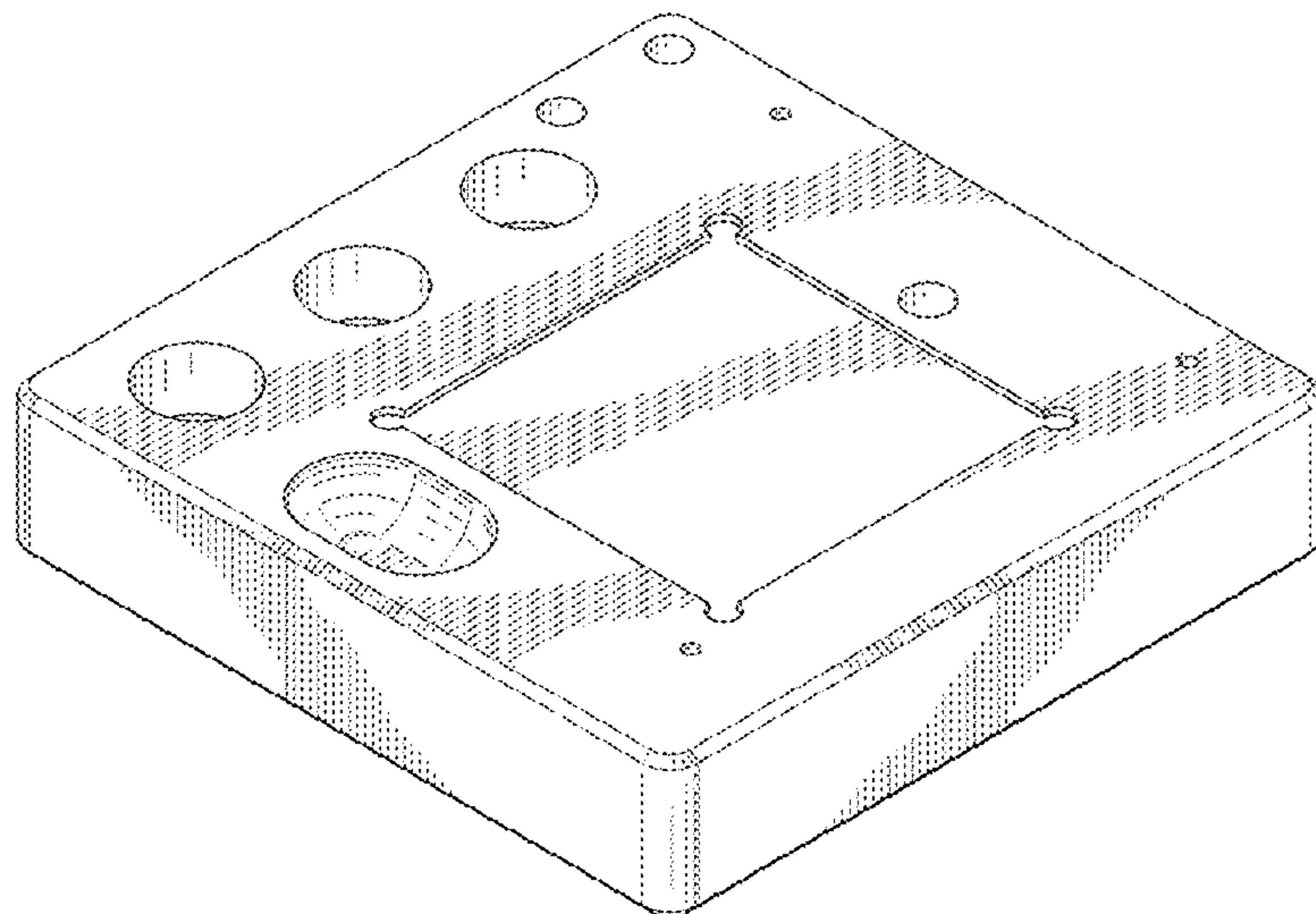
(56) **References Cited**

U.S. PATENT DOCUMENTS

1,963,502	A *	6/1934	Phillips	.....	A01K 97/06 43/57.1
2,065,234	A *	12/1936	Martinez	.....	A01K 97/06 206/315.11
2,578,045	A *	12/1951	Conrad	.....	A01K 97/26 242/129.53
3,507,071	A *	4/1970	Bryson	.....	A01K 97/06 43/57.1
D309,000	S *	7/1990	Stoop, Jr.	.....	D22/134
D338,555	S *	8/1993	Olson	.....	D3/260
D387,899	S *	12/1997	Okumura	.....	D3/260
5,957,321	A *	9/1999	Jones	.....	A01K 97/26 206/315.11
6,079,148	A *	6/2000	Yoneno	.....	A01K 97/06 43/57.1
D689,977	S *	9/2013	Plott	.....	D22/134
D795,575	S *	8/2017	Barraco	.....	D3/260

\* cited by examiner

**1 Claim, 8 Drawing Sheets**



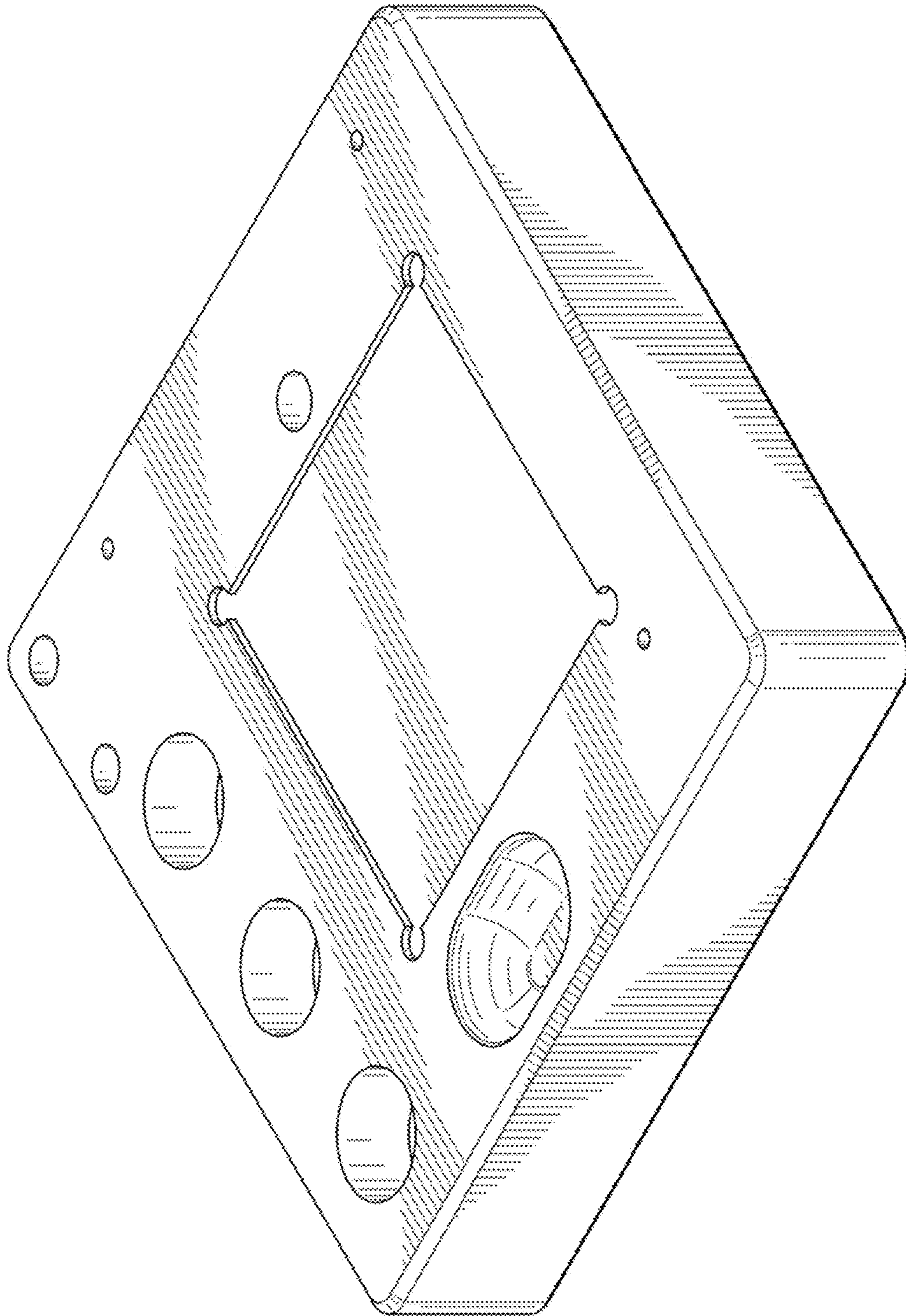


FIG. 1

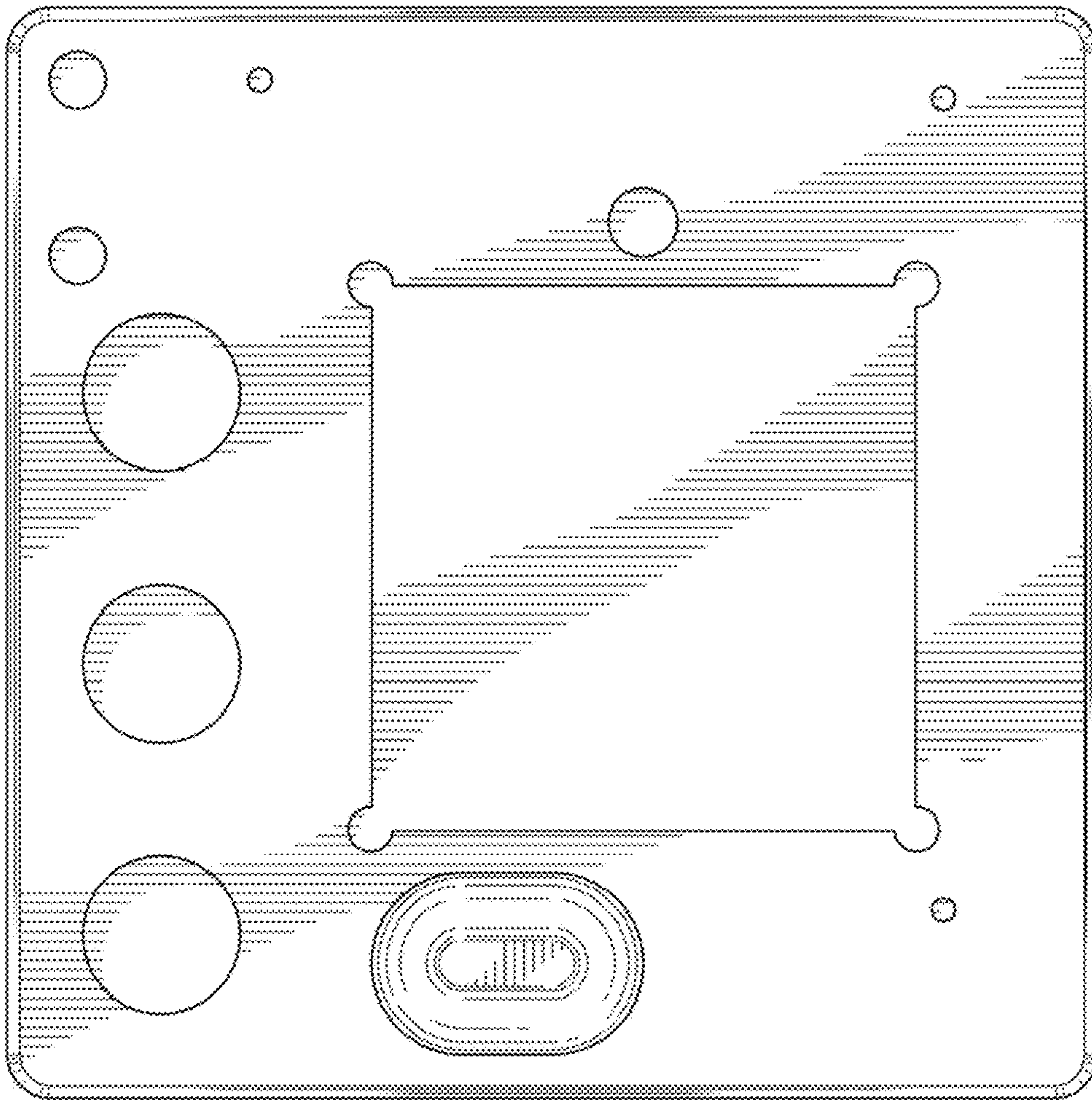


FIG. 2



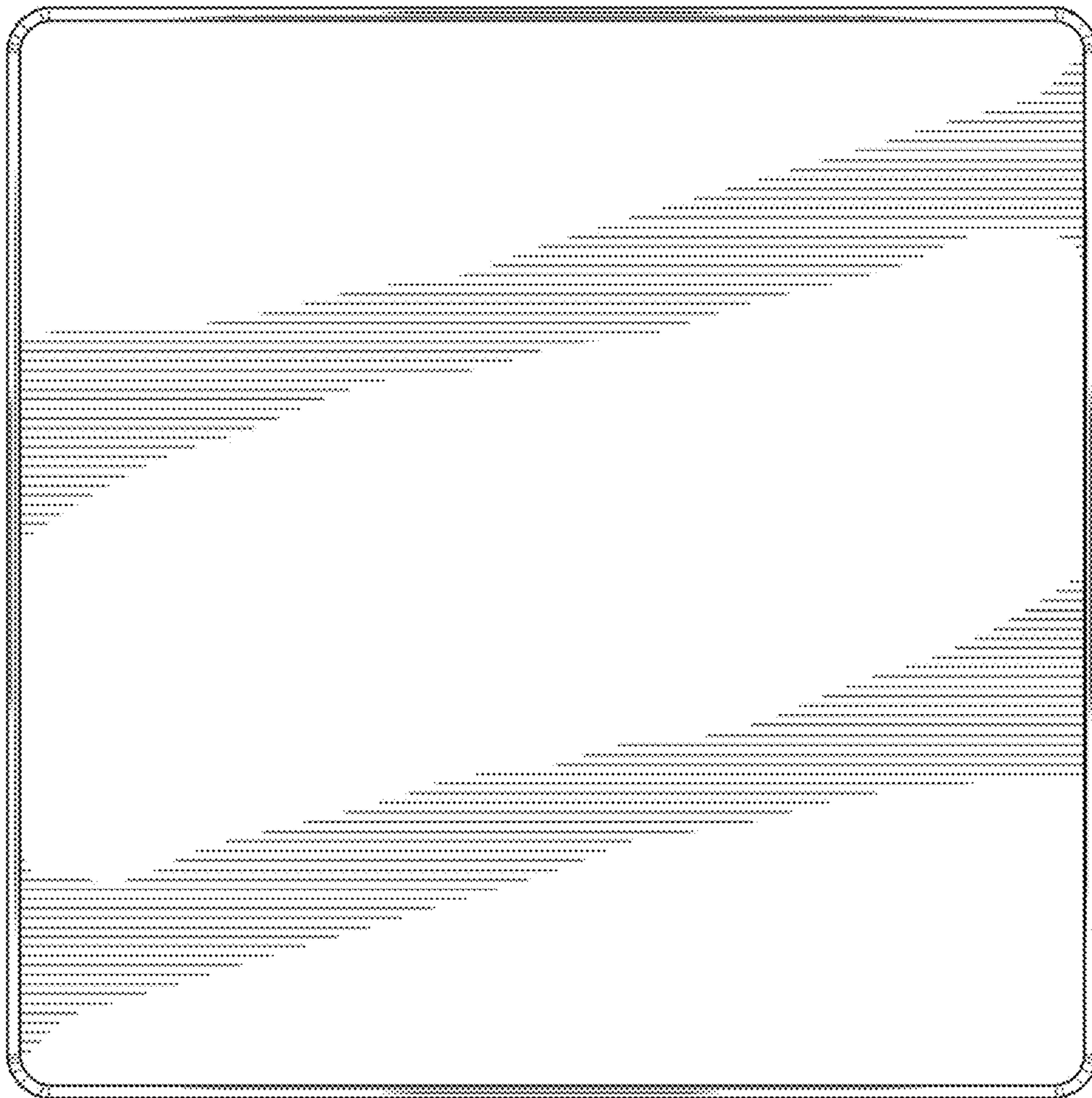


FIG. 3

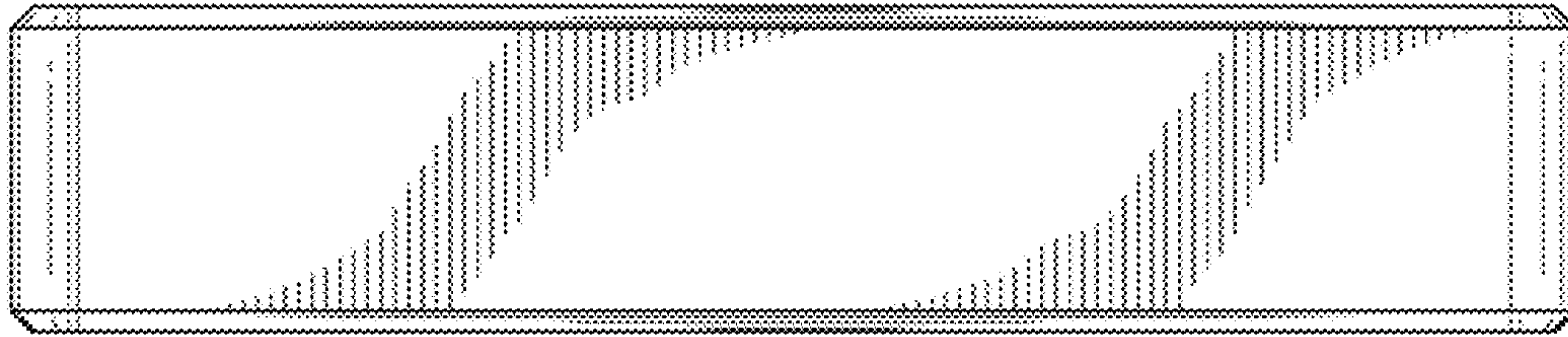


FIG. 4

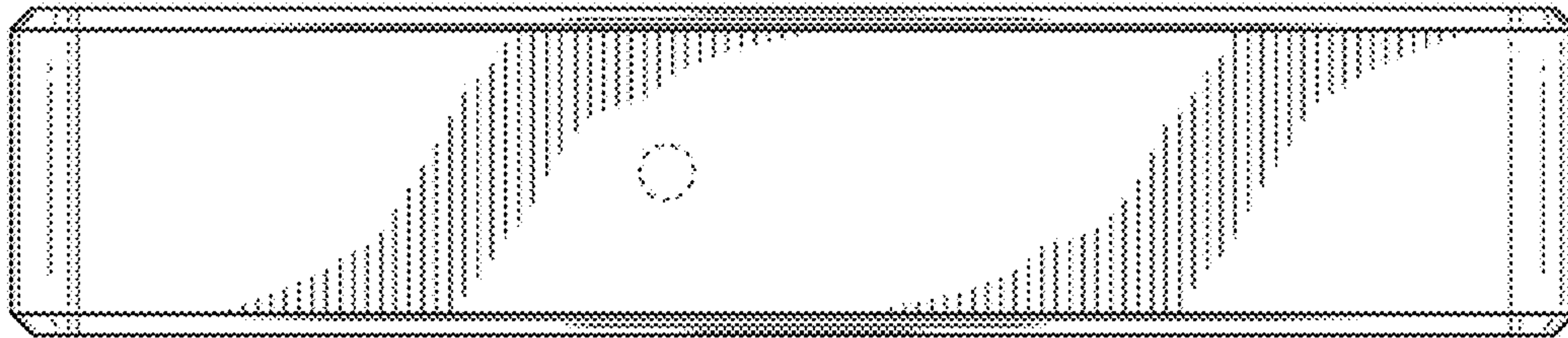


FIG. 5



FIG. 6

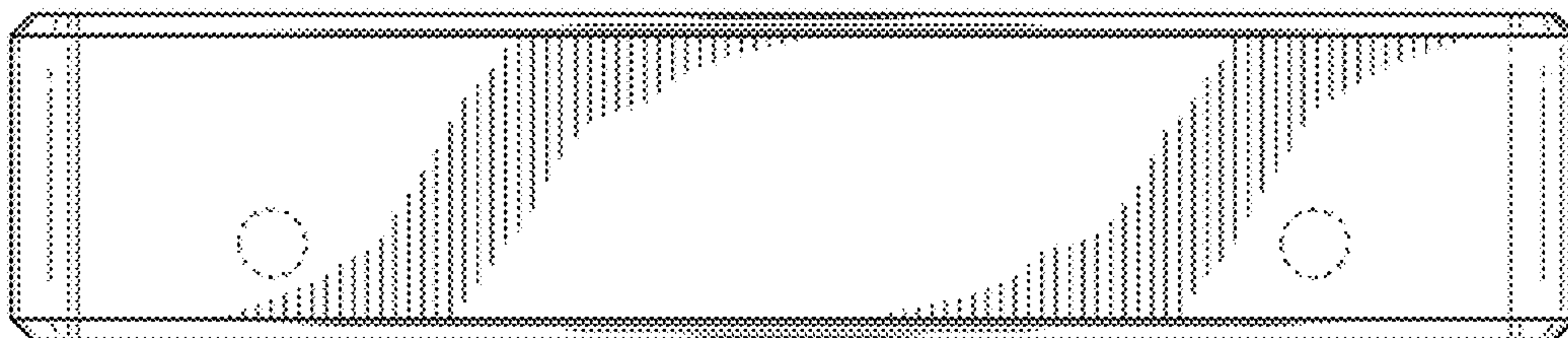


FIG. 7

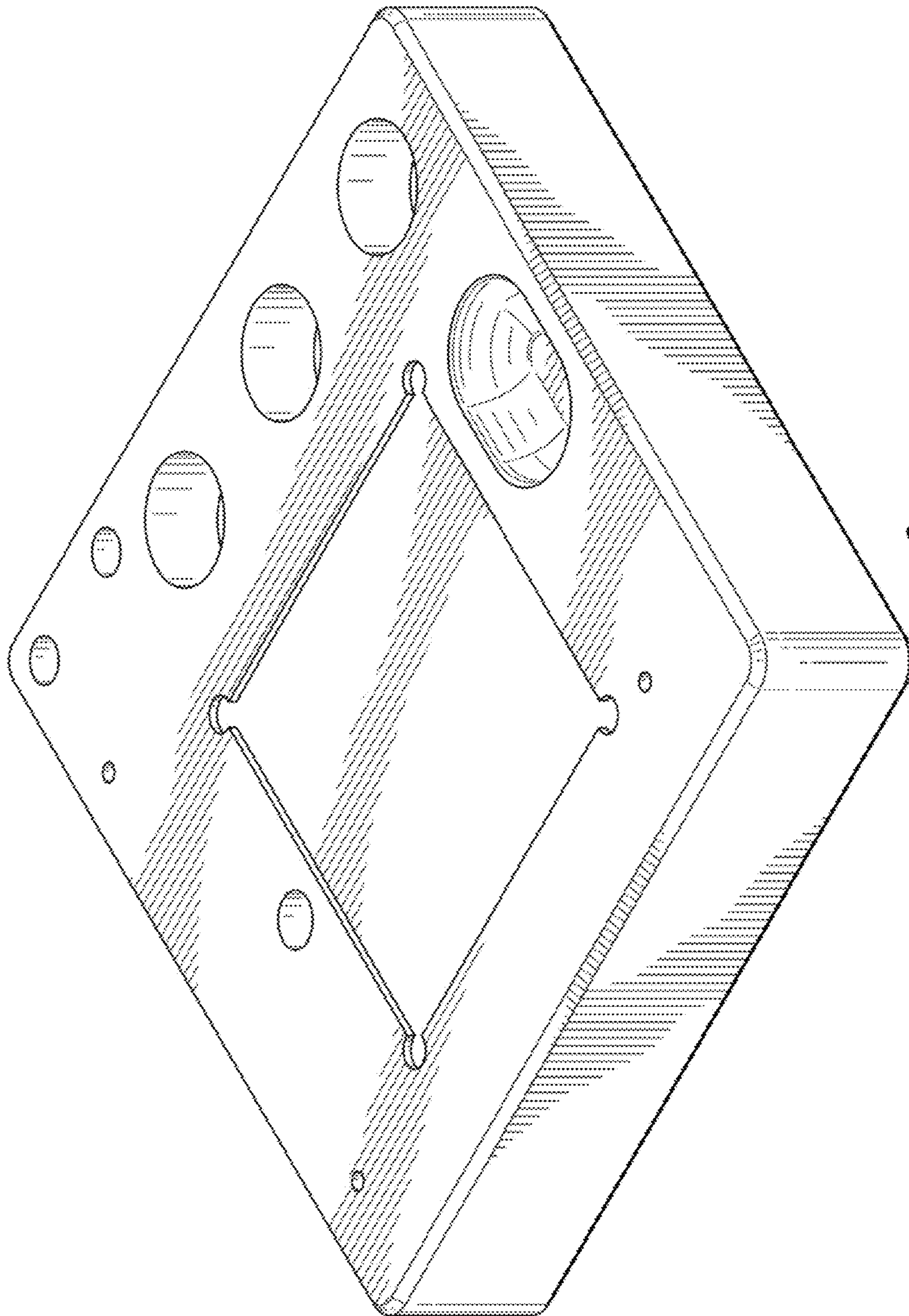


FIG. 8



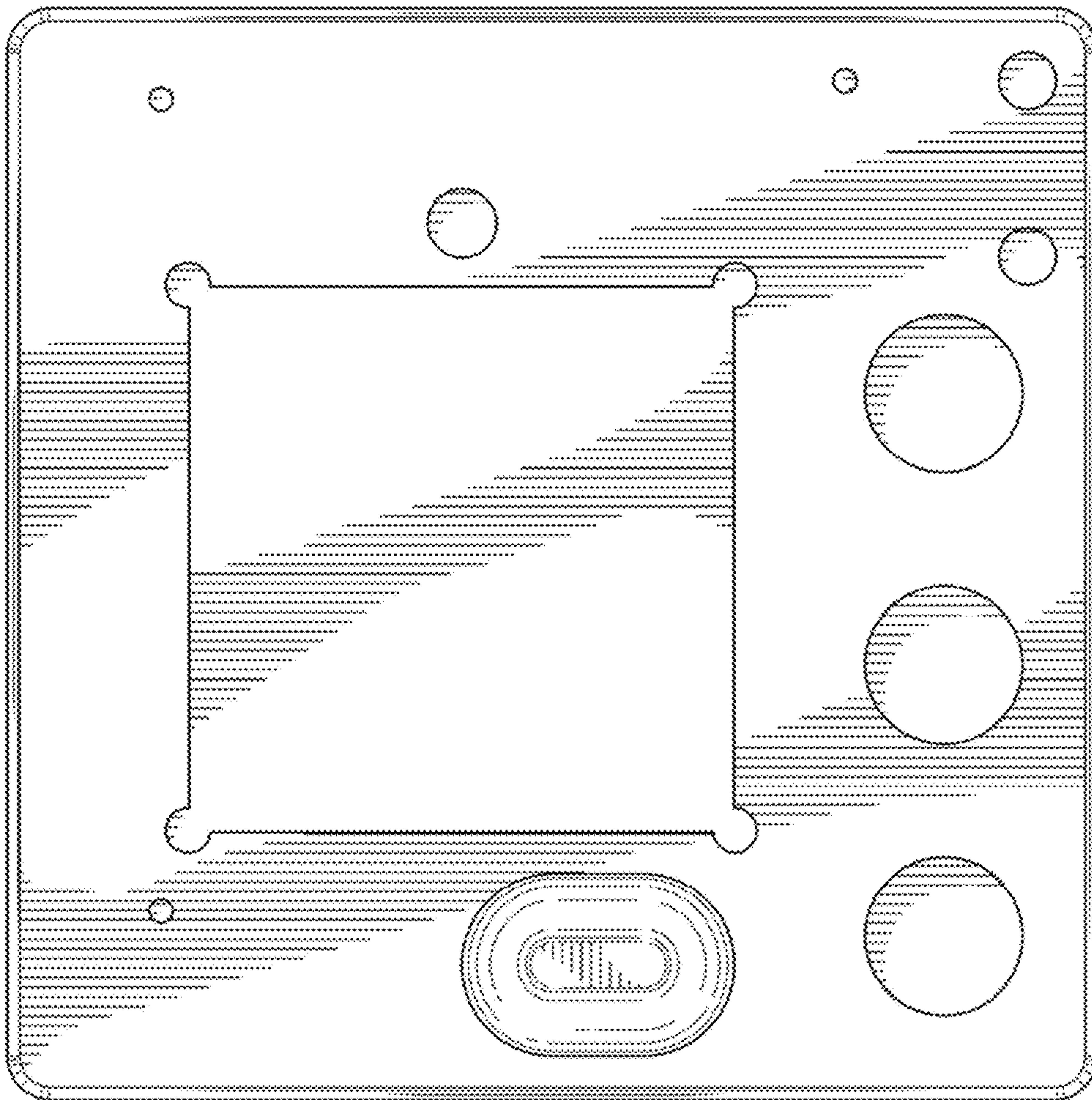


FIG. 9

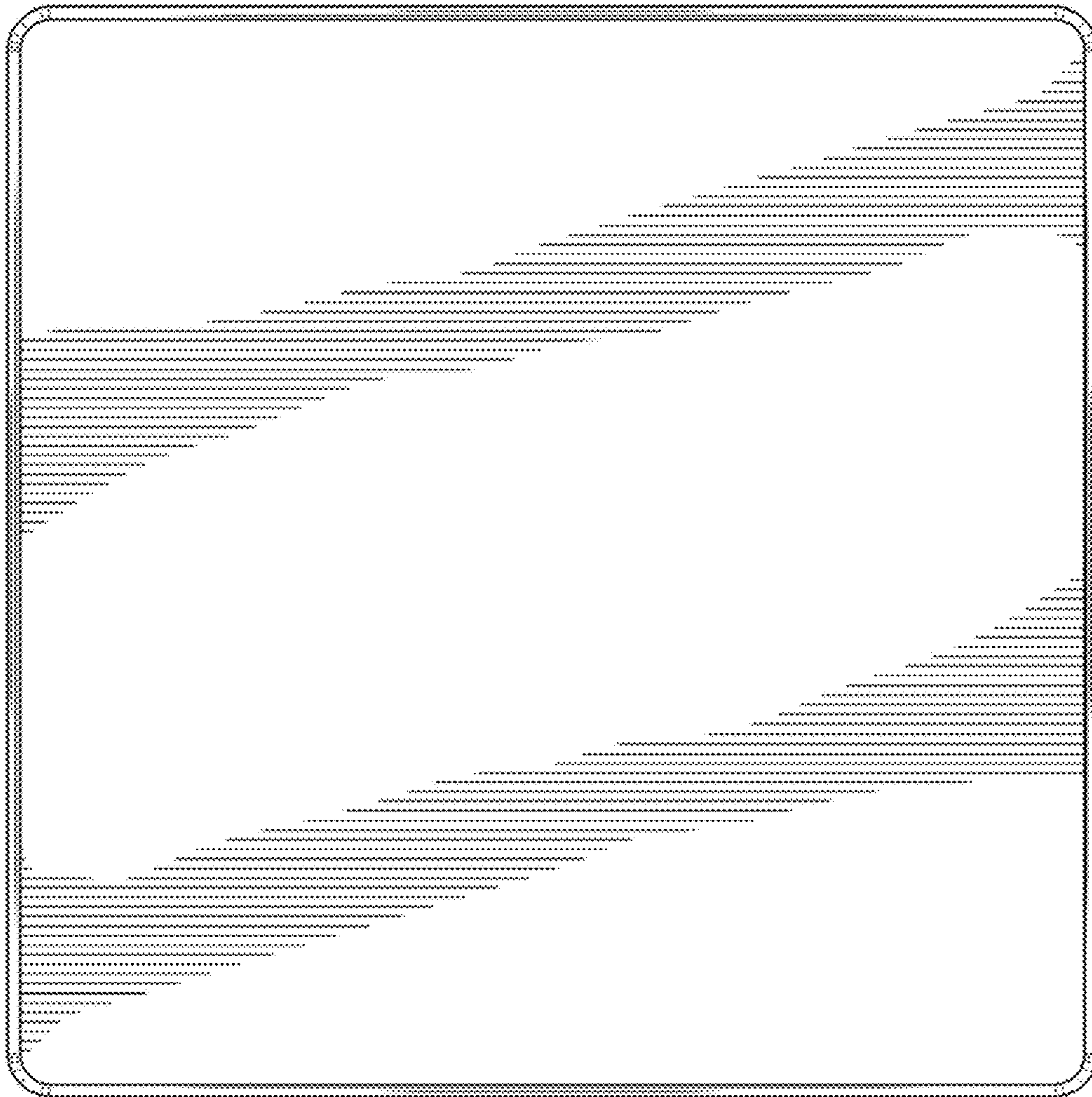


FIG. 10



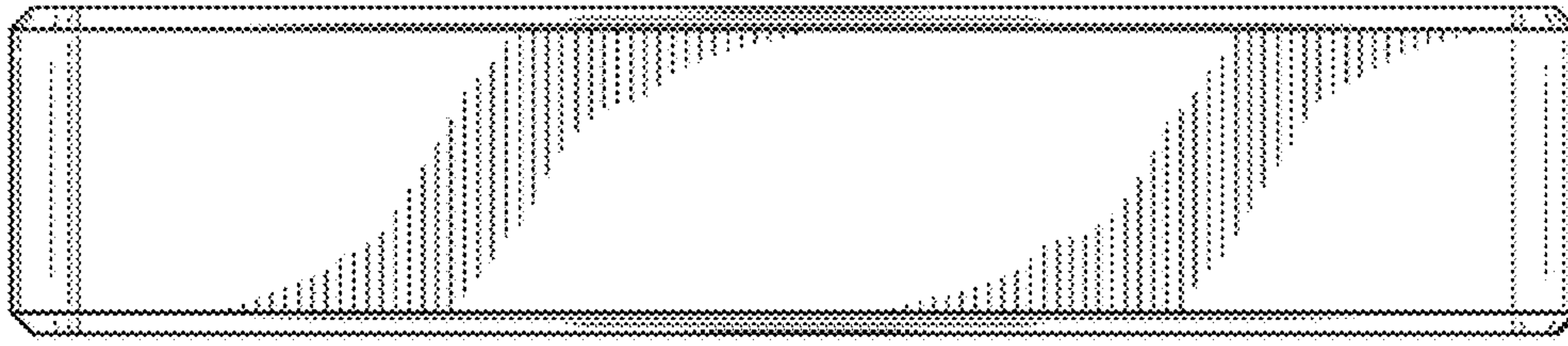


FIG. 11

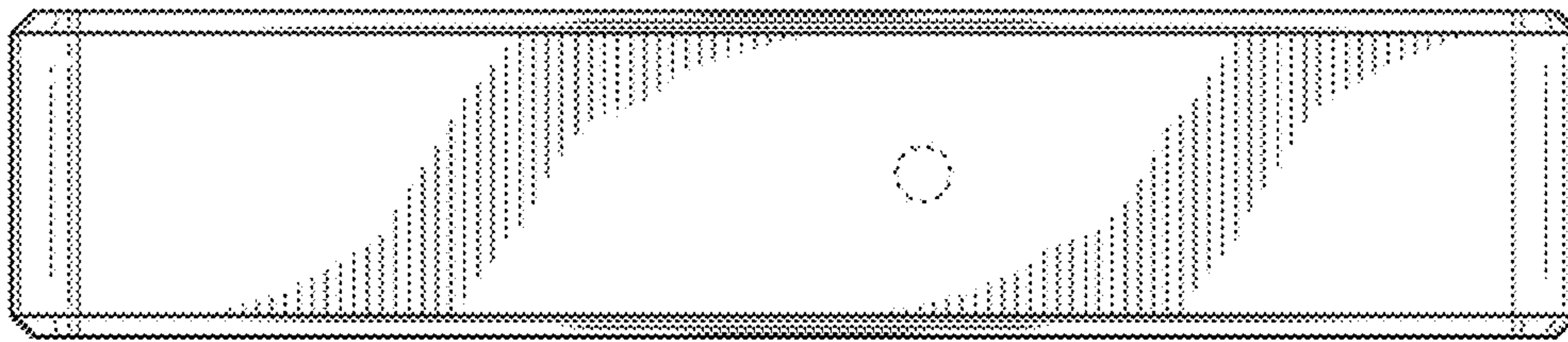


FIG. 12

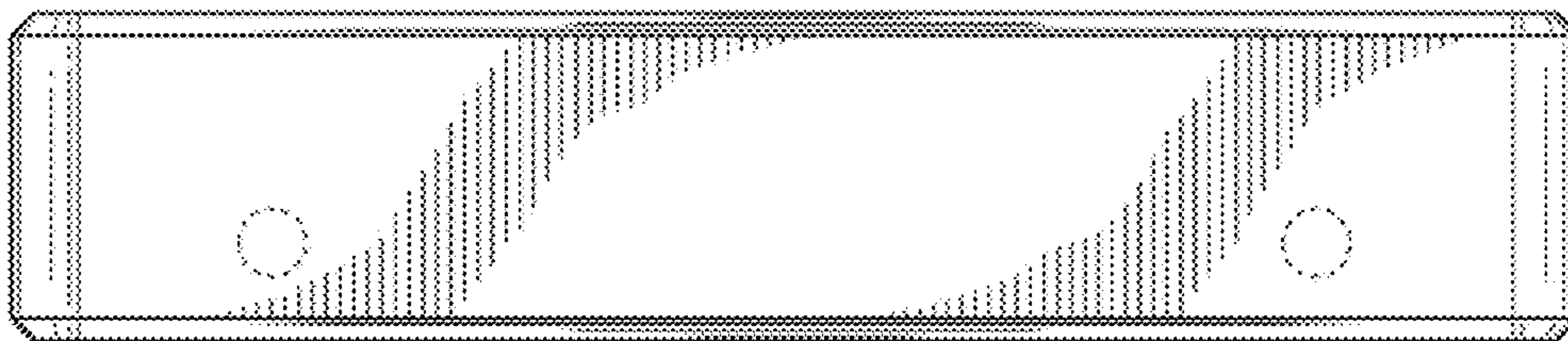


FIG. 13

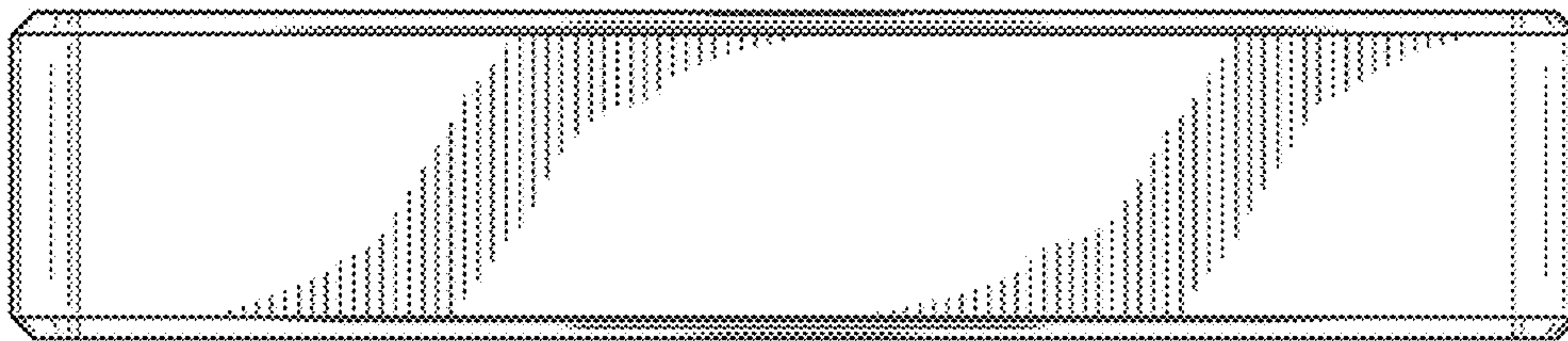


FIG. 14