



US00D826366S

(12) **United States Design Patent**
Van Popering

(10) **Patent No.:** **US D826,366 S**

(45) **Date of Patent:** **** Aug. 21, 2018**

(54) **INSECT-TRAPPING STRAP**

(71) Applicant: **Joel Van Popering**, Parksley, VA (US)

(72) Inventor: **Joel Van Popering**, Parksley, VA (US)

(**) Term: **15 Years**

(21) Appl. No.: **29/607,370**

(22) Filed: **Jun. 13, 2017**

(51) **LOC (11) Cl.** **22-06**

(52) **U.S. Cl.**

USPC **D22/122**

(58) **Field of Classification Search**

USPC D22/119–124; 43/85, 88, 90–92, 107,
43/112–114, 121–122, 124, 131, 132.1;
2/16, 22, 170, 242; 424/405–407, 409,
424/77, 84, 114, 117, 403, 413

CPC A01M 1/02; A01M 1/14; A01M 29/12;
A01M 29/34; A01M 2200/011; A01N
25/18; A41D 13/001; A42C 5/02; A61K
8/0208; A61Q 17/02; Y02A 50/375

See application file for complete search history.

(56) **References Cited**

U.S. PATENT DOCUMENTS

2,911,756 A * 11/1959 Geary A01M 1/02
43/114
5,031,354 A * 7/1991 Olson A01M 1/02
43/114

5,381,557 A * 1/1995 Luria A01M 1/14
2/16

D357,724 S * 4/1995 Byom D22/122

D363,111 S * 10/1995 Walburn D22/122

D505,478 S 5/2005 Mondelli

6,936,269 B2 8/2005 Robinson

D688,944 S * 9/2013 Lane D9/435

2009/0205095 A1 8/2009 Needham

2014/0189924 A1 7/2014 Ruter

* cited by examiner

Primary Examiner — Catherine R Oliver-Garcia

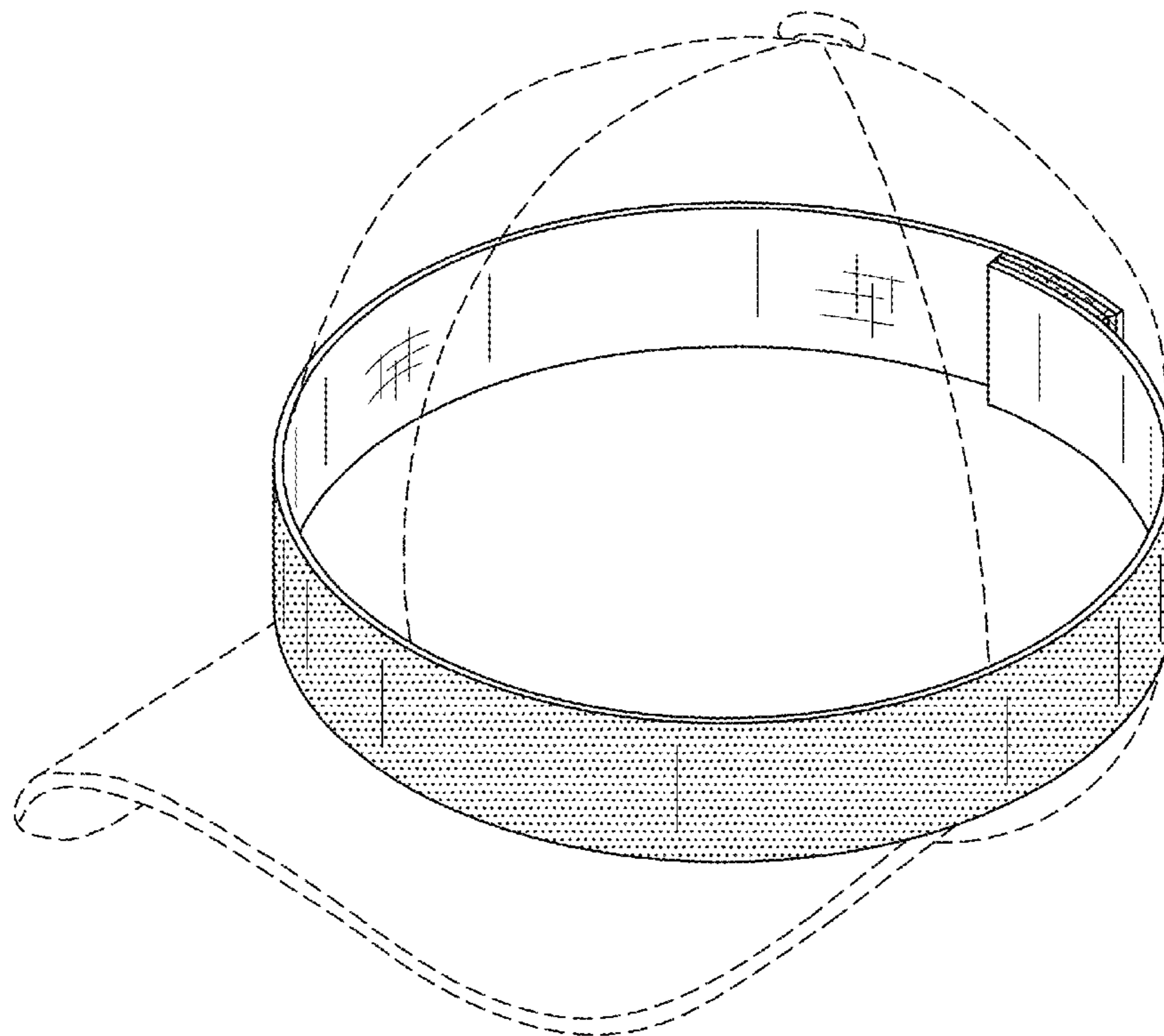
(57) **CLAIM**

I claim the ornamental design for an insect-trapping strap, as shown and described.

DESCRIPTION

FIG. 1 is a front view of the insect-trapping strap.
FIG. 2 is a rear view of the claimed design.
FIG. 3 is a side view of the claimed design.
FIG. 4 is a top view of the claimed design; and,
FIG. 5 is a perspective view of the claimed design.
The broken lines appearing in FIG. 5 of a hat are environmental matter forming no part of the claimed design.

1 Claim, 3 Drawing Sheets



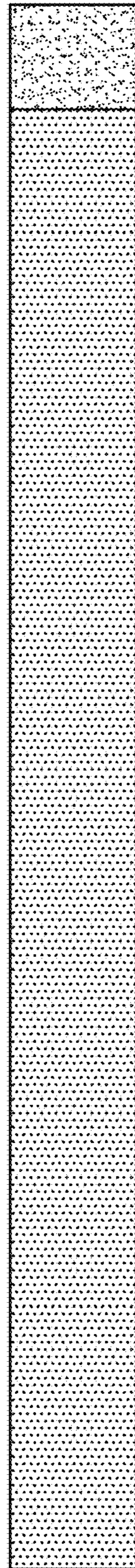


FIG. 1

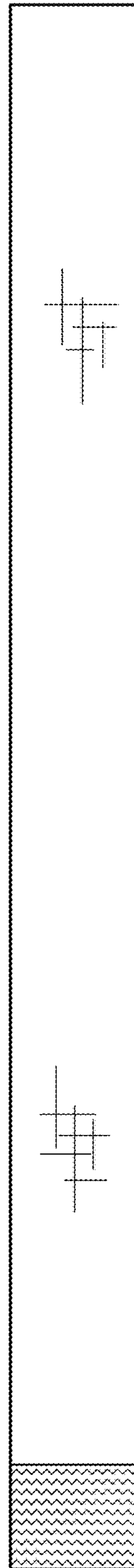


FIG. 2

FIG. 3

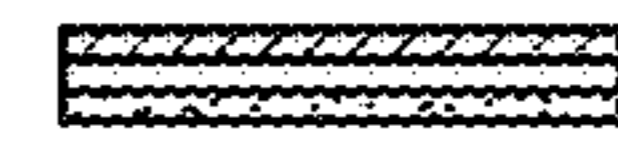
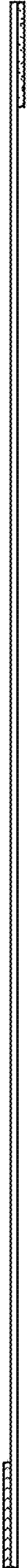


FIG. 4

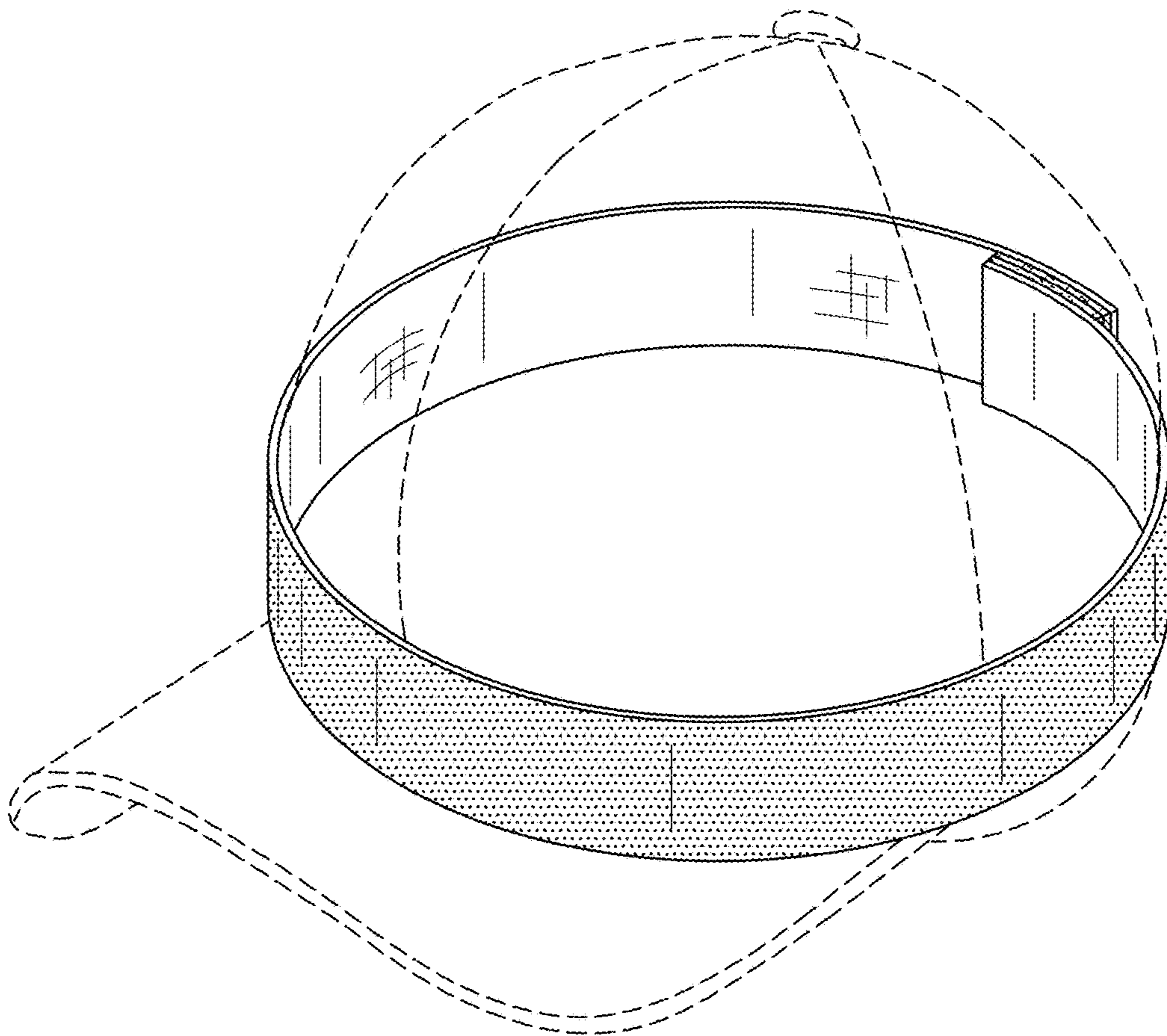


FIG. 5