



US00D826365S

(12) **United States Design Patent**  
**Sheikh**

(10) **Patent No.:** **US D826,365 S**

(45) **Date of Patent:** **\*\* Aug. 21, 2018**

(54) **STUN GUN**

(71) Applicant: **Yasar Sheikh**, Longwood, FL (US)

(72) Inventor: **Yasar Sheikh**, Longwood, FL (US)

(\*\*) Term: **15 Years**

(21) Appl. No.: **29/612,964**

(22) Filed: **Aug. 5, 2017**

(51) **LOC (11) Cl.** ..... **22-02**

(52) **U.S. Cl.**  
USPC ..... **D22/117; D22/118**

(58) **Field of Classification Search**  
USPC ..... D22/117-120; D21/567-568;  
222/78-79, 113, 153.03, 453.11, 183, 325  
CPC ..... A01K 85/18; F41B 45/00; F41B 15/02;  
F41B 15/04; F41H 9/102; F41H 13/0018  
See application file for complete search history.

(56) **References Cited**

**U.S. PATENT DOCUMENTS**

D496,707 S \* 9/2004 Materkowski ..... D22/117  
D515,654 S \* 2/2006 Trbovich, Jr. .... D22/118  
7,559,439 B2 \* 7/2009 Cellini ..... F41B 15/02  
222/113

D648,414 S \* 11/2011 Wallisch ..... D22/118  
D749,187 S \* 2/2016 Pirrone ..... D22/118  
D750,729 S \* 3/2016 Sheikh ..... D22/117  
D798,415 S \* 9/2017 Lin ..... D22/117  
D805,158 S \* 12/2017 Pennington ..... D22/117  
D812,709 S \* 3/2018 Han ..... D22/117

\* cited by examiner

*Primary Examiner* — Catherine R Oliver-Garcia  
(74) *Attorney, Agent, or Firm* — Quickpatents, LLC;  
Kevin Prince

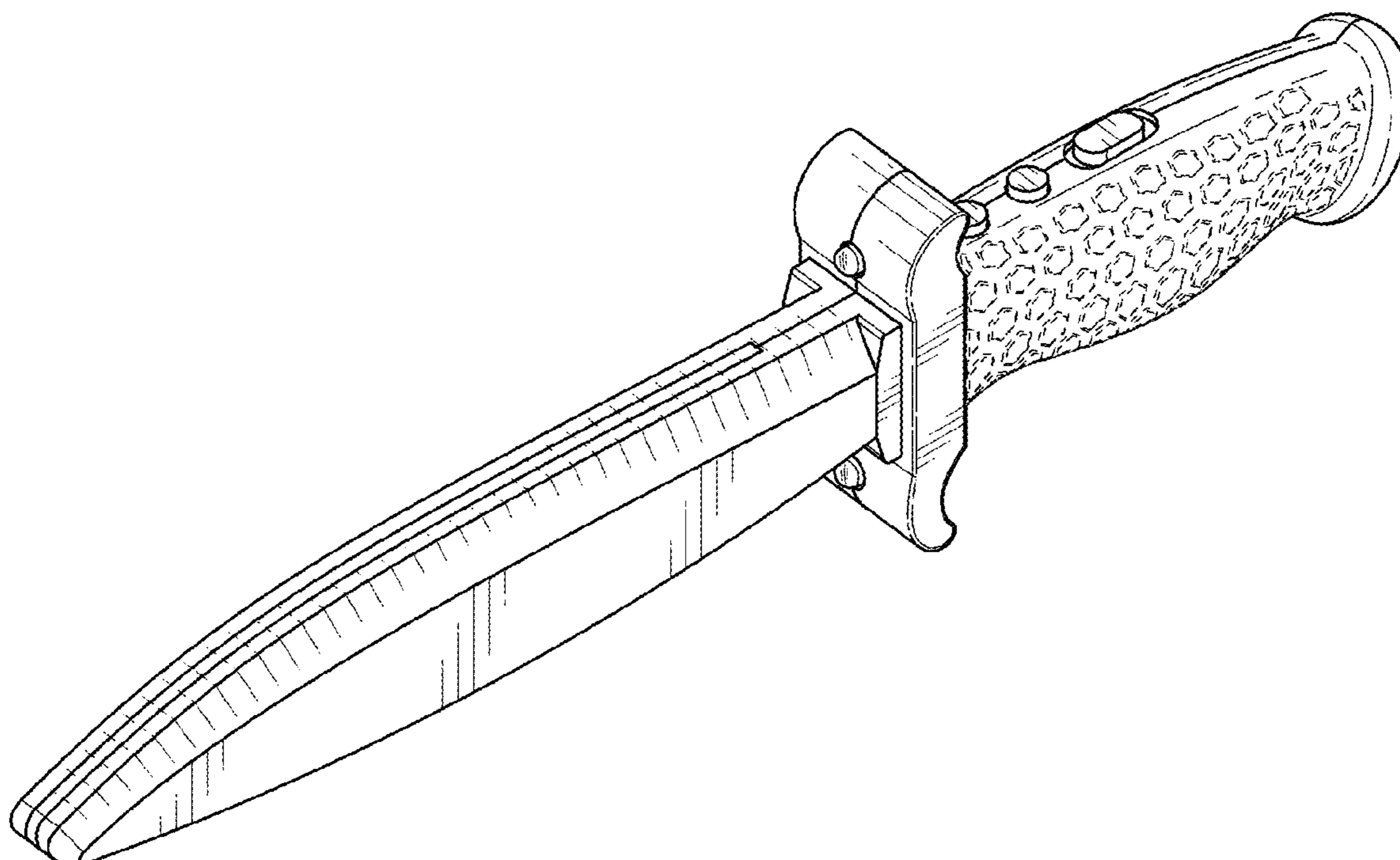
(57) **CLAIM**

I claim the ornamental design for a stun gun, as shown and described.

**DESCRIPTION**

FIG. 1 is a front perspective view of a stun gun, showing my new design;  
FIG. 2 is a rear perspective view thereof;  
FIG. 3 is a front elevational view thereof;  
FIG. 4 is a rear elevational view thereof;  
FIG. 5 is a left-side elevational view thereof;  
FIG. 6 is a right-side elevational view thereof;  
FIG. 7 is a top plan view thereof; and,  
FIG. 8 is a bottom plan view thereof.  
The broken lines depicting a grip pattern in the figures depict portions of the stun gun that form no part of the claimed design.

**1 Claim, 4 Drawing Sheets**



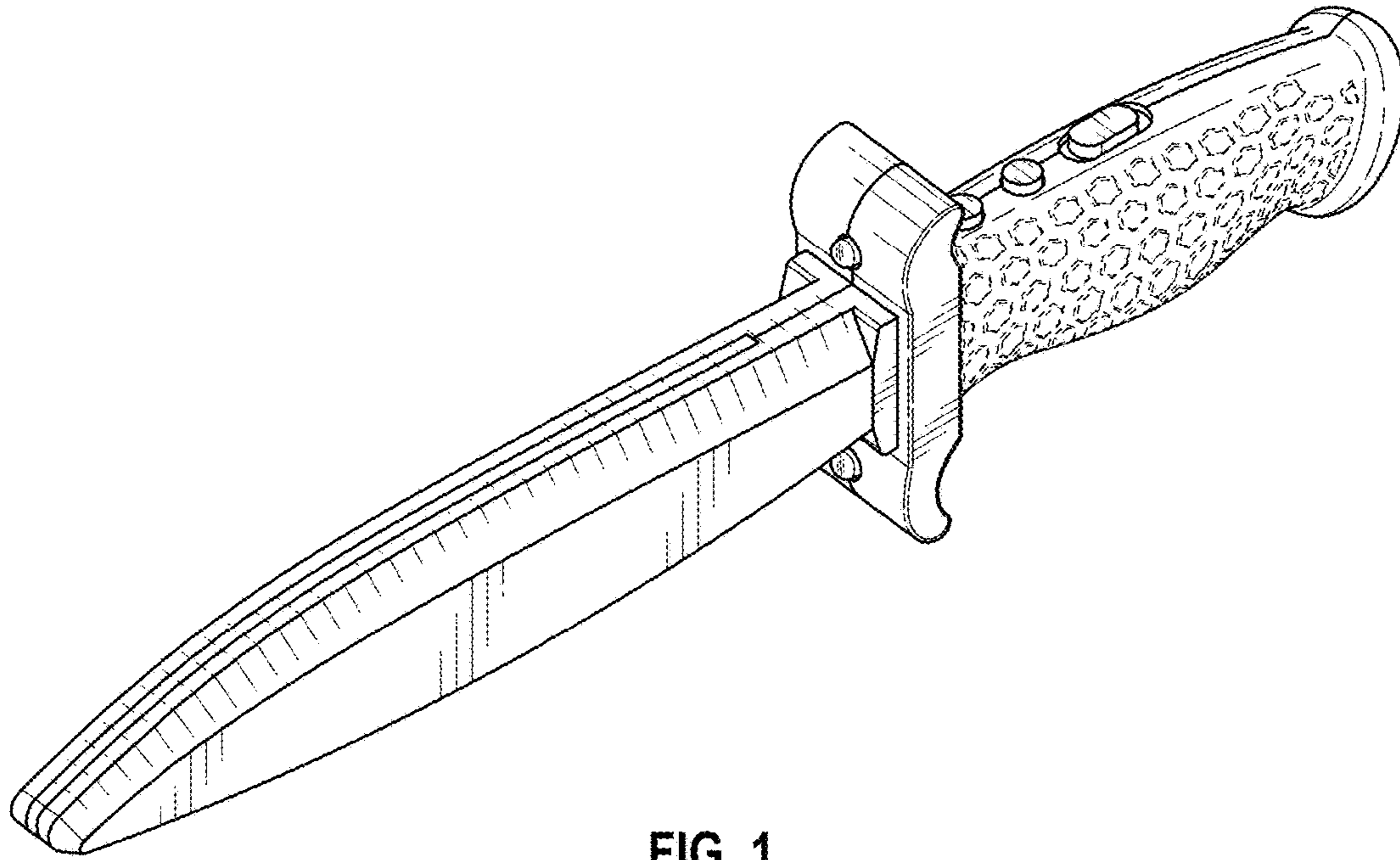


FIG. 1

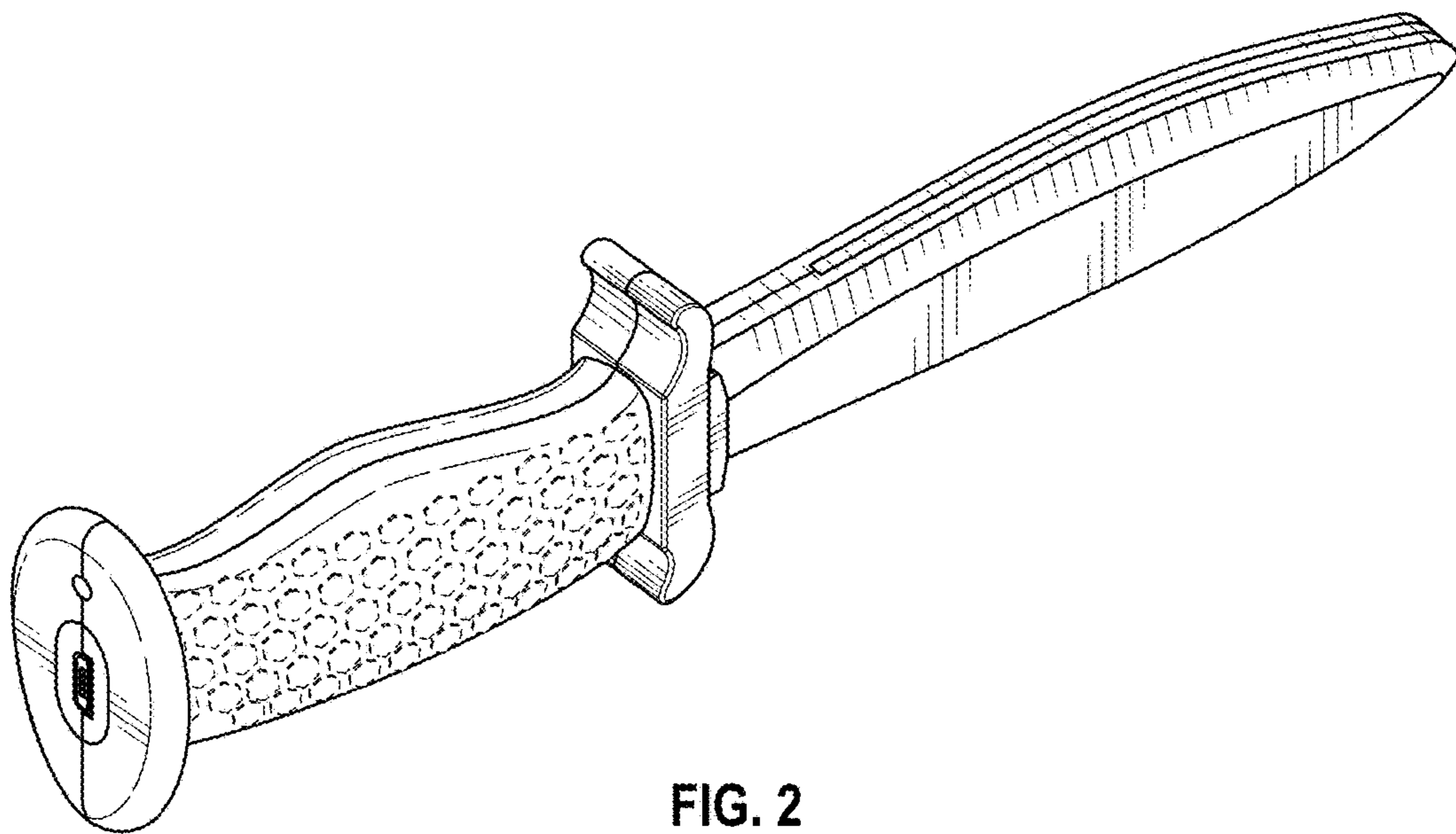


FIG. 2

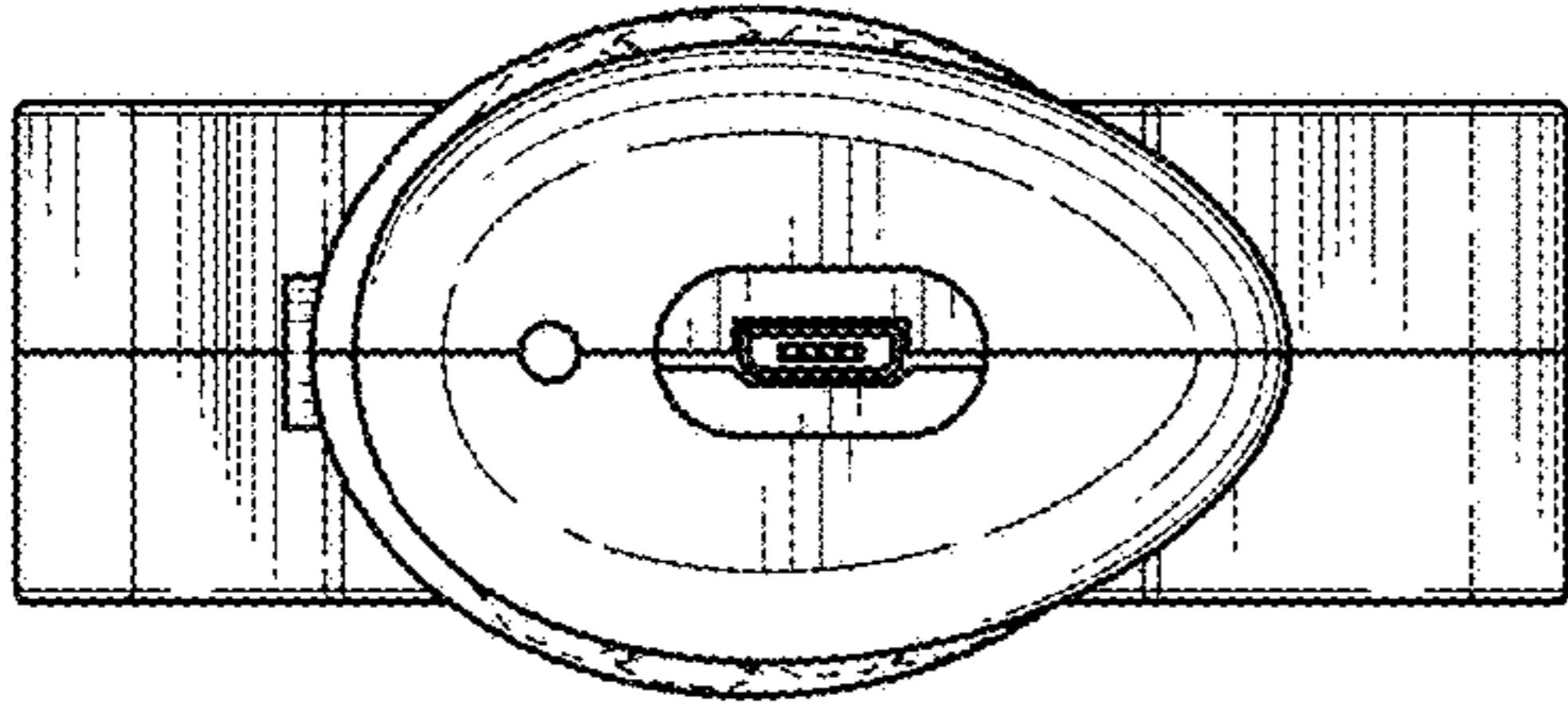


FIG. 4

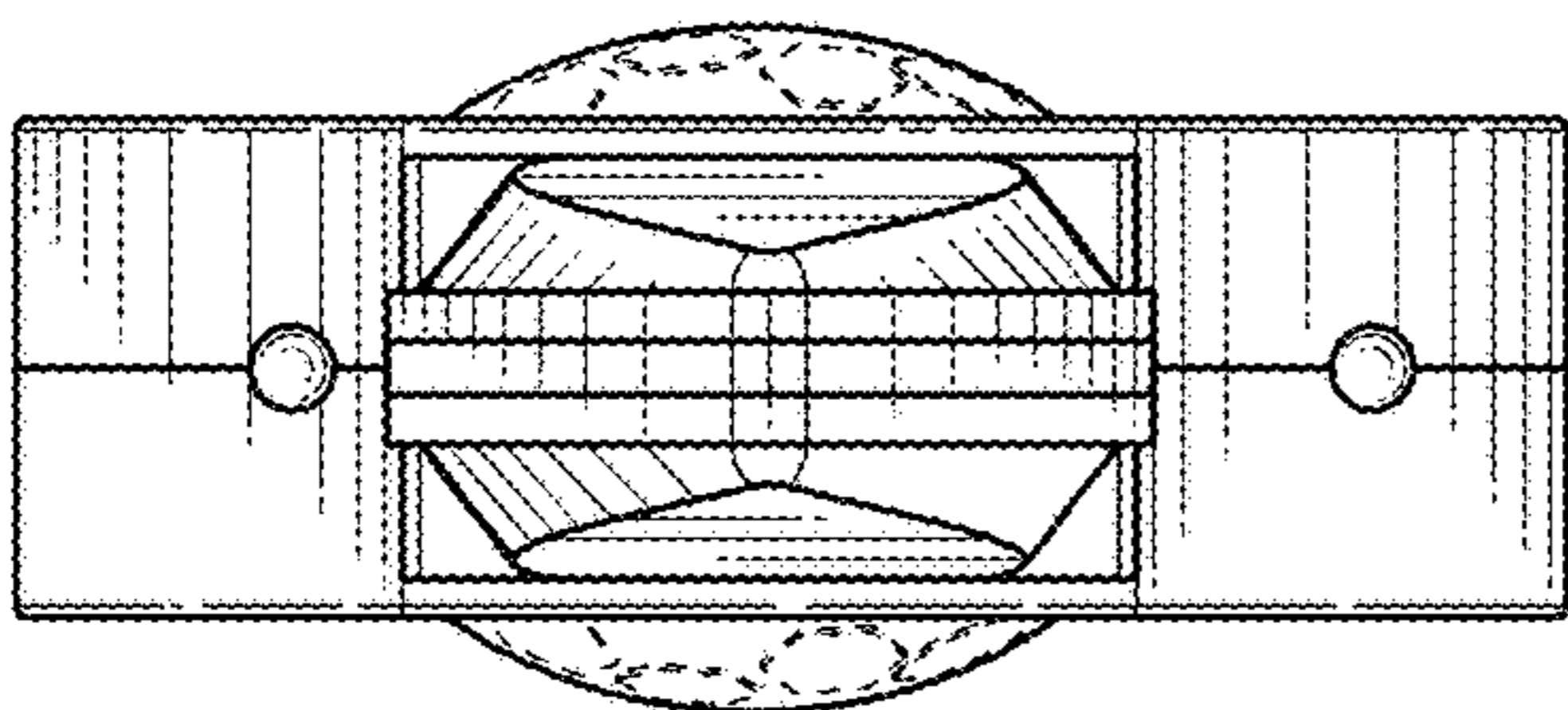


FIG. 3

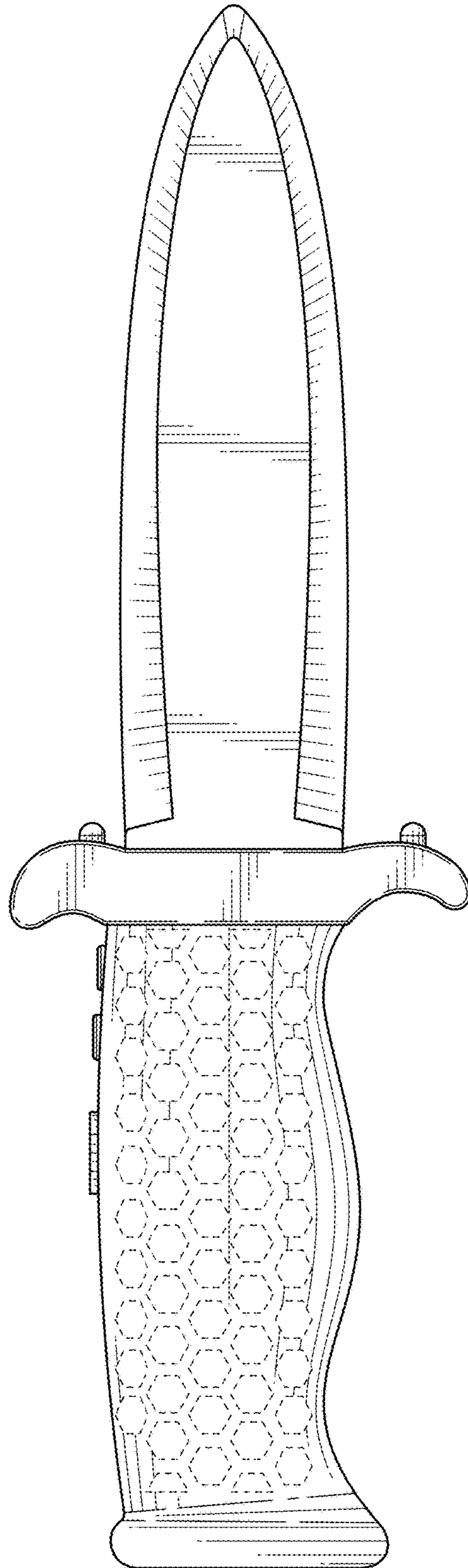


FIG. 5

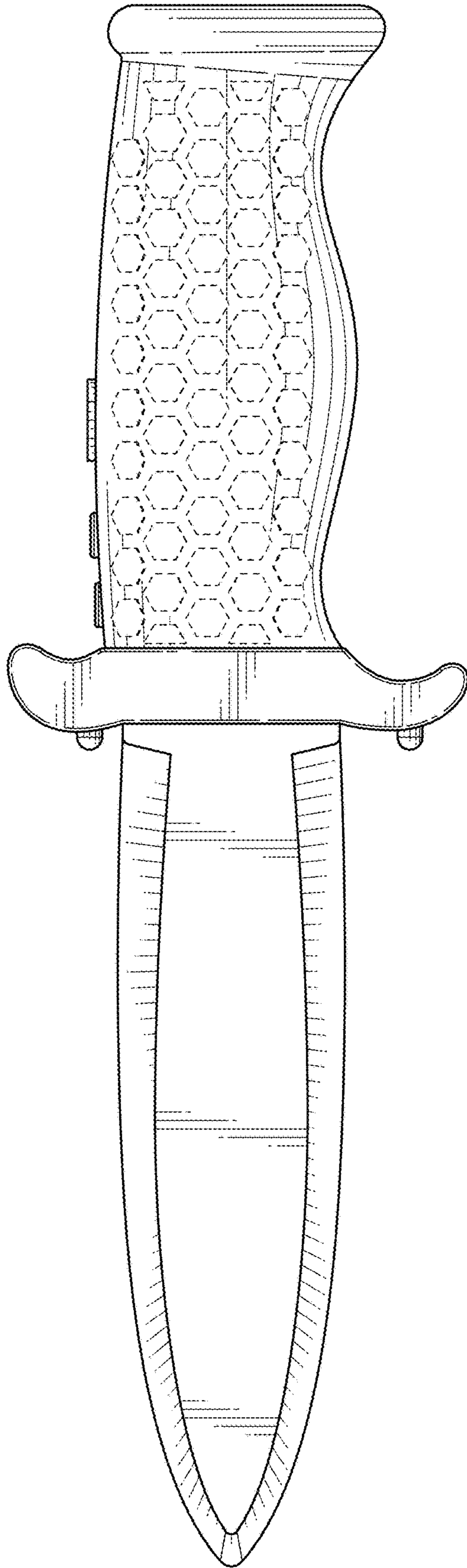


FIG. 6

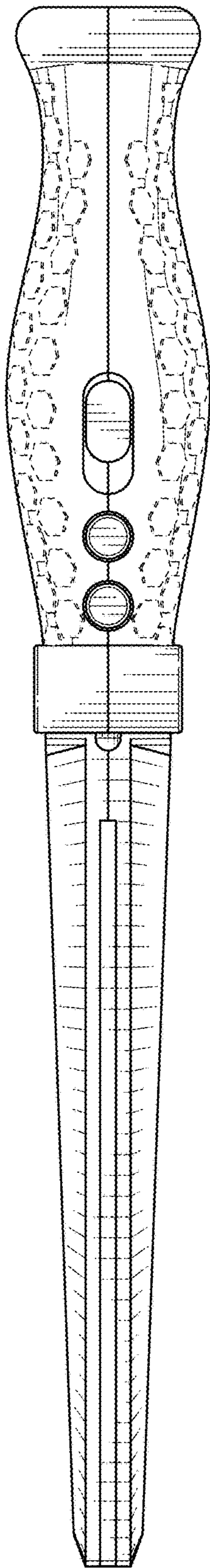


FIG. 7

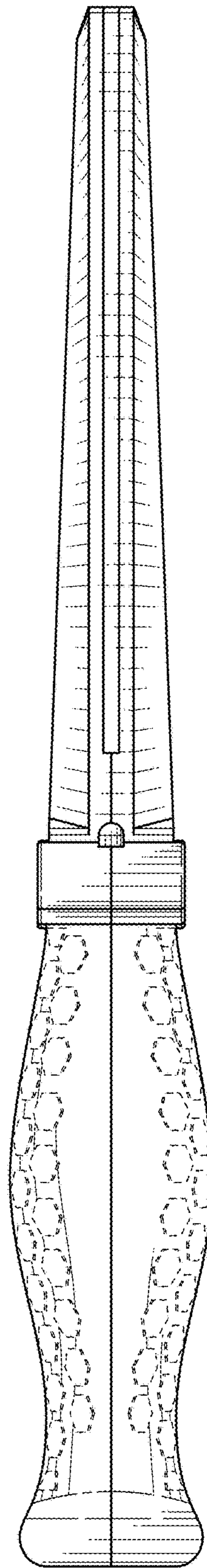


FIG. 8