



US00D826363S

(12) **United States Design Patent**
Kowalczyk, Jr. et al.

(10) **Patent No.:** **US D826,363 S**
(45) **Date of Patent:** **** Aug. 21, 2018**

- (54) **RAIL MOUNTED LIGHT SOURCE**
- (71) Applicant: **LaserMax, Inc.**, Rochester, NY (US)
- (72) Inventors: **John A. Kowalczyk, Jr.**, Fairport, NY (US); **Thomas O. Pierce**, Rochester, NY (US)
- (73) Assignee: **Crosman Corporation**, Bloomfield, NY (US)

- D628,323 S 11/2010 Matthews et al.
 - D641,826 S 7/2011 Larsson et al.
 - D647,159 S 10/2011 Kobayashi et al.
 - D651,628 S 1/2012 Wang
 - 8,109,032 B2 2/2012 Faifer
 - 8,322,066 B2 * 12/2012 Westra F41G 11/004
42/146
 - D674,858 S 1/2013 Galli
 - D675,281 S * 1/2013 Speroni D22/109
- (Continued)

- (**) Term: **15 Years**
- (21) Appl. No.: **29/590,068**
- (22) Filed: **Jan. 6, 2017**

Related U.S. Application Data

- (63) Continuation of application No. 29/534,285, filed on Jul. 28, 2015, now abandoned.
- (51) **LOC (11) Cl.** **22-01**
- (52) **U.S. Cl.**
USPC **D22/109**
- (58) **Field of Classification Search**
USPC D22/108-111; D16/200, 202, 214, 242;
42/85, 111, 114, 146
CPC F41G 1/35; F41G 3/145
See application file for complete search history.

References Cited

U.S. PATENT DOCUMENTS

- 579,416 A 3/1897 Wagner
- D506,486 S 6/2005 Kuo
- D547,780 S 7/2007 Meinzer
- 7,325,352 B2 2/2008 Matthews et al.
- D568,508 S 5/2008 Howe et al.
- D570,018 S 5/2008 Ciccone, Jr. et al.
- D578,599 S 10/2008 Cheng
- D586,874 S 2/2009 Moody et al.
- D612,756 S 3/2010 D'Amelio et al.
- D616,956 S 6/2010 Hamilton

OTHER PUBLICATIONS

Arbogast McMunn, Lasermax Picatinny Mounted Red Laser Review, posted at YouTube, posting date Apr. 16, 2014. [online], [site visited Sep. 23, 2016]. Available from Internet, <URL: https://www.youtube.com/watch?v=8ud_d3khwWw>.*

(Continued)

Primary Examiner — Kevin K Rudzinski
Assistant Examiner — Kathleen L Jones
(74) *Attorney, Agent, or Firm* — Roland R. Schindler, II;
Dominic Ciminello; Lee & Hayes

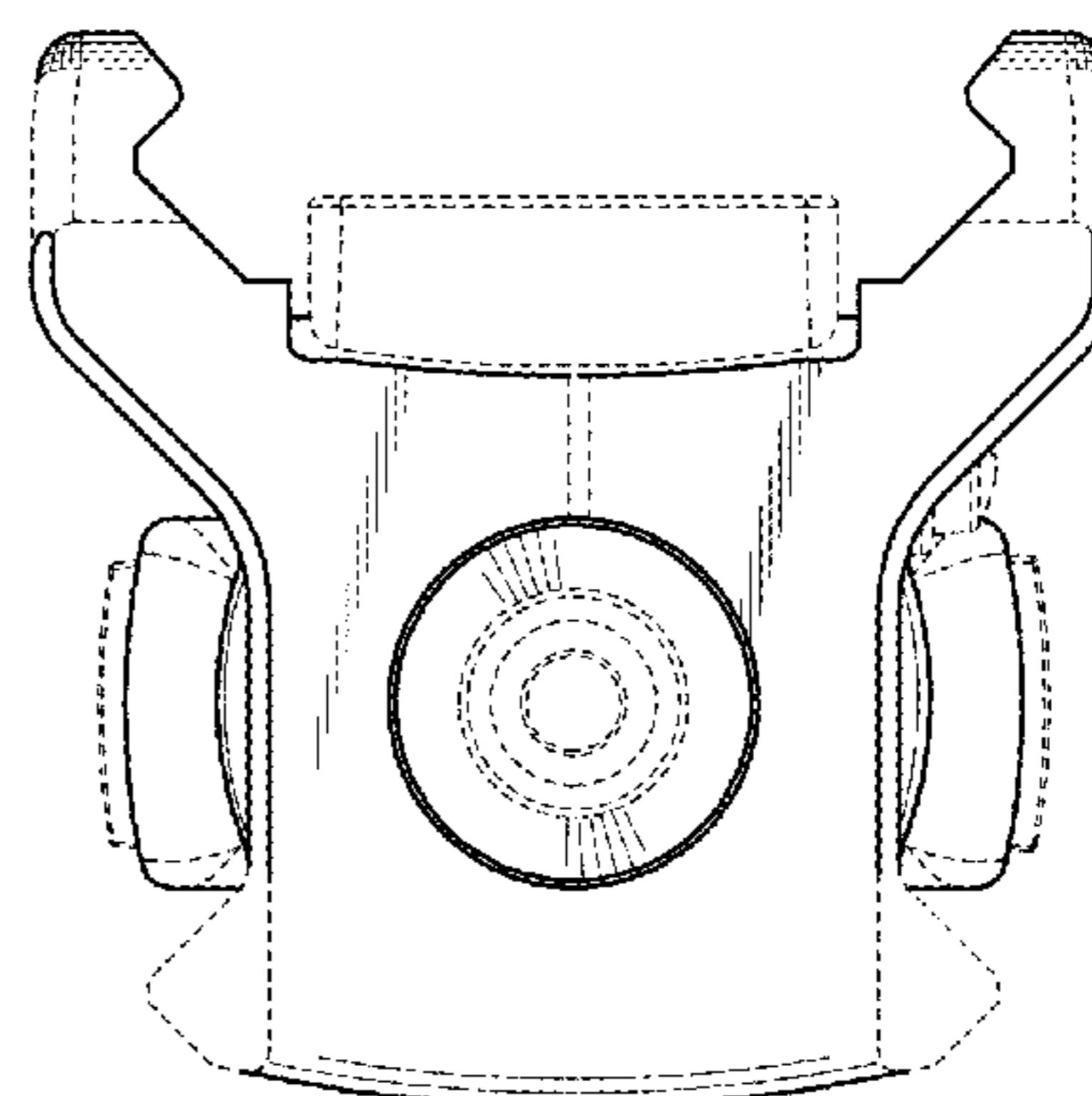
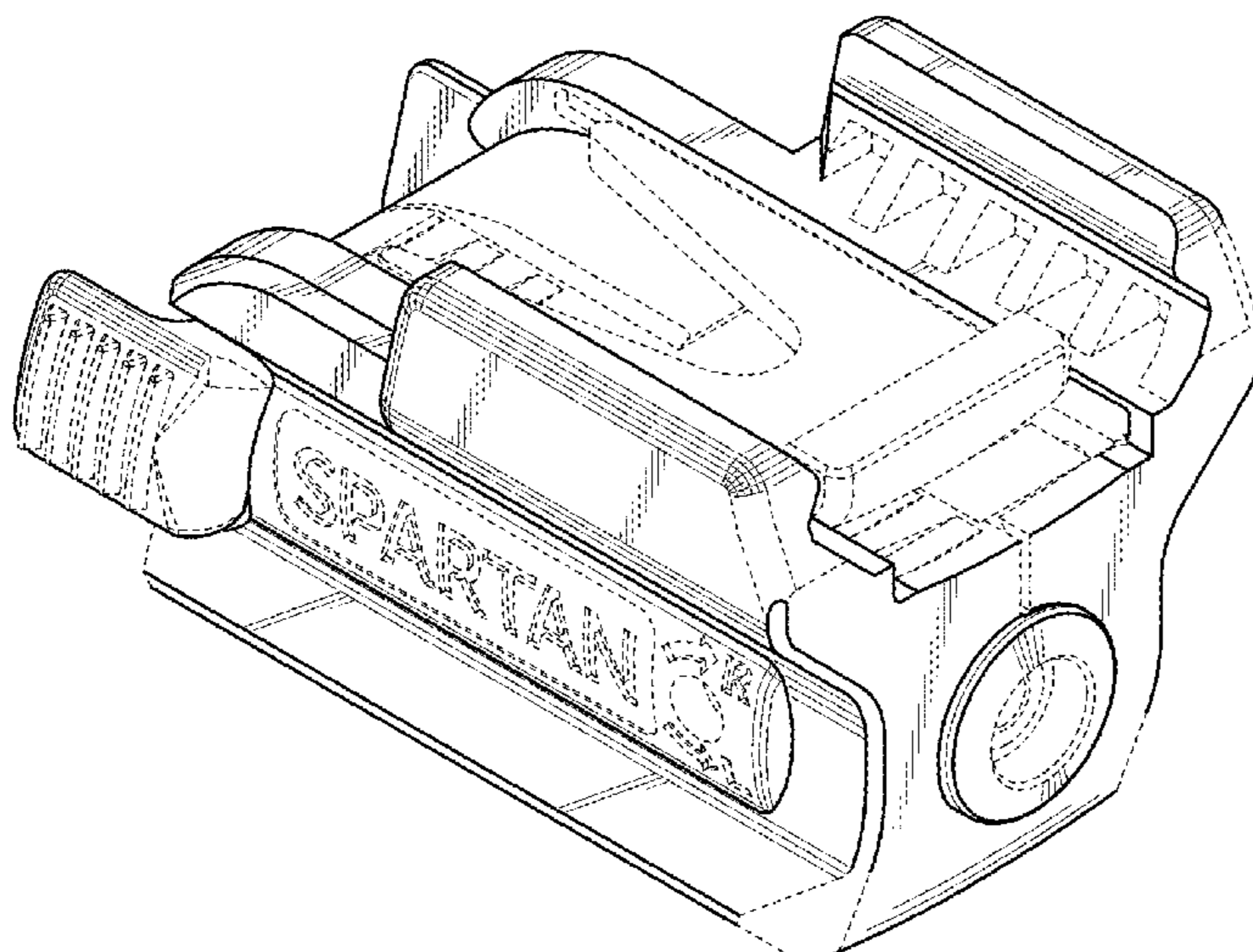
(57) **CLAIM**

The ornamental design for a rail mounted light source, as shown and described.

DESCRIPTION

FIG. 1 is a front, top, left side perspective view of our design.
FIG. 2 is a front, top, right side perspective view thereof.
FIG. 3 is a front elevation view thereof.
FIG. 4 is a left elevation view thereof.
FIG. 5 is a right elevation view thereof.
FIG. 6 is a top view thereof; and,
FIG. 7 is a bottom view thereof.
The dashed lines in the figures are included for the purpose of illustrating portions of the article and form no part of the claimed design.

1 Claim, 7 Drawing Sheets



(56)

References Cited

U.S. PATENT DOCUMENTS

D679,304 S 4/2013 Delaney et al.
 D679,775 S 4/2013 Cheng
 D682,977 S 5/2013 Thummel et al.
 8,490,313 B2 7/2013 Frascati et al.
 D693,867 S 11/2013 Radau et al.
 8,578,647 B2 11/2013 Storch et al.
 D696,377 S 12/2013 Thummel
 D701,279 S * 3/2014 Clark D22/108
 8,683,731 B2 * 4/2014 Kowalczyk G01B 11/27
 42/111
 D704,297 S 5/2014 Cheng
 D712,001 S 8/2014 Wells
 D729,339 S * 5/2015 Chavez D22/109
 D732,134 S 6/2015 Wells
 9,062,933 B1 6/2015 Allen et al.
 D736,339 S * 8/2015 Fitzpatrick D22/109
 D737,399 S * 8/2015 Cheng D22/109
 D738,455 S * 9/2015 Homem de Mello
 Anderson D22/109
 D741,391 S * 10/2015 Sui D16/208
 D746,405 S 12/2015 Nemeyer et al.
 D749,689 S * 2/2016 Cheng D22/109
 D750,685 S 3/2016 Santos
 D752,266 S 3/2016 Dall
 D755,340 S * 5/2016 Essig D22/109
 D757,886 S 5/2016 Cheng et al.
 D762,806 S 8/2016 Chavez et al.
 D763,399 S * 8/2016 Anderson D22/109
 D779,981 S 2/2017 Kobayashi et al.
 D781,983 S * 3/2017 Wells D22/108
 9,658,031 B1 * 5/2017 Hedeem F41G 1/35
 D792,544 S * 7/2017 Hartley D22/108
 9,772,163 B2 * 9/2017 Sharrah F41G 1/35
 D802,704 S * 11/2017 Planck D22/109
 2005/0246937 A1 11/2005 Kim
 2006/0196099 A1 9/2006 Matthews et al.
 2007/0074443 A1 4/2007 La France
 2007/0113462 A1 * 5/2007 Ho F41G 11/003
 42/146
 2007/0180752 A1 * 8/2007 Houde-Walter F41G 1/35
 42/114
 2007/0277422 A1 12/2007 Ding
 2008/0202010 A1 8/2008 Matthews et al.
 2010/0229450 A1 9/2010 Becker et al.
 2011/0162251 A1 * 7/2011 Houde-Walter F41G 1/35
 42/146
 2011/0185619 A1 8/2011 Finnegan et al.
 2012/0124885 A1 * 5/2012 Caulk F41G 1/35
 42/146

2012/0206799 A1 8/2012 Riley et al.
 2014/0176934 A1 6/2014 Perger et al.
 2015/0241169 A1 * 8/2015 Cheng F41G 1/00
 42/114
 2015/0276352 A1 * 10/2015 Chang F41G 11/003
 42/114
 2017/0138701 A1 * 5/2017 Kowalczyk, Jr. F41G 11/003

OTHER PUBLICATIONS

Wood, Keith, The Best Home Defense Lasers at Every Price Point, posted at Guns & Ammo, posting date Dec. 22, 2013. [online], [site visited Sep. 23, 2016]. Available from Internet, <URL: <http://www.gunsandammo.com/optics/best-home-defense-lasers-at-every-price/>>.*
 Ruger SR22 22LR Rimfire Pistol with Crimson Trace Laser, posted at Sportsman's Outdoor Superstore, comment posting date Apr. 30, 2015. [online], [site visited Sep. 23, 2016]. Available from Internet, <URL: <http://www.sportsmansoutdoorsuperstore.com/products2.cfm/ID/116008/3601/ruger-sr22-22lr-rimfire-pistol-with-crimson-trace-laser>>.*
 4thPoint, Scout Concept and Jeff Cooper, posted at The Firing Line Forums, posting date Feb. 23, 2014. [online], [site visited Sep. 23, 2016]. Available from Internet, <URL: <https://thefiringline.com/forums/showthread.php?t=541981>>.*
 "Better Shooting Begins With The LaserMaxSpartan Series, YouTube.com, fmgpubs, Published on Dec. 1, 2016, [online], [site visited Jun. 9, 2017]. URL: <https://www.youtube.com/watch?v=xSAcOFHRNrl>".
 "Lucid C3 Rail Mounted LED Weapons Light,300 Lumens L-C3-Light w/Free Shipping and Handling, OpticsPlanets.com,[online], [site visited Jun. 9, 2017]. URL: <http://www.opticsplanet.com/lucid-c3-rail-mounted-led-weapons-light-300-lumens.html>".
 "Review: LaserMax Spartan Light/Laser Combo, TheFirearmBlog.com, Posted Oct. 7, 2016 by Pete M., [online], [site visited Jun. 9, 2017]. URL: <http://www.thefirearmblog.com/blog/2016/10/07/lasermx-spartan/>".
 "Surefire XC1 Compact Pistol Weapon LightLED with 1 AAA Battery Aluminum Black, MidwayUSA.com, [online],[site visited Jun. 9, 2017]. URL: <https://www.midwayusa.com/product/579416/surefire-xc1-compact-pistol-weapon-light-led-mith-1-aaa-battery-aluminum-black>".
 Office Action for U.S. Appl. No. 15/222,718, dated May 25, 2017, John A. Kowalczyk, Jr., "Adjustable Rail Mounting System", 7 pages.
 Office Action for U.S. Appl. No. 29/579,330, dated Jun. 27, 2017, Jeffrey W. Mock, et al., "Electronic Device for Use With Deterrent Device", 5 pages.

* cited by examiner

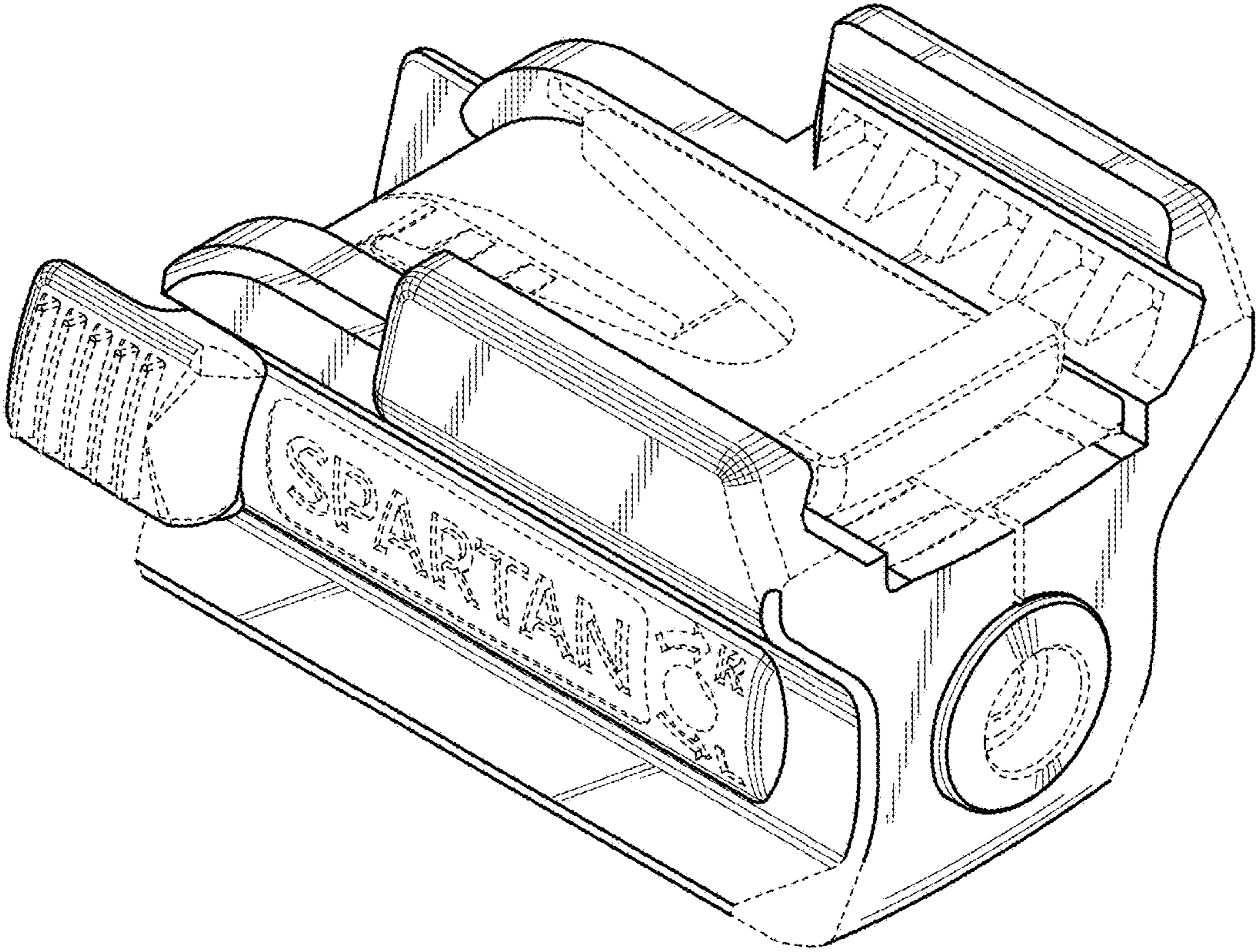


FIG. 1

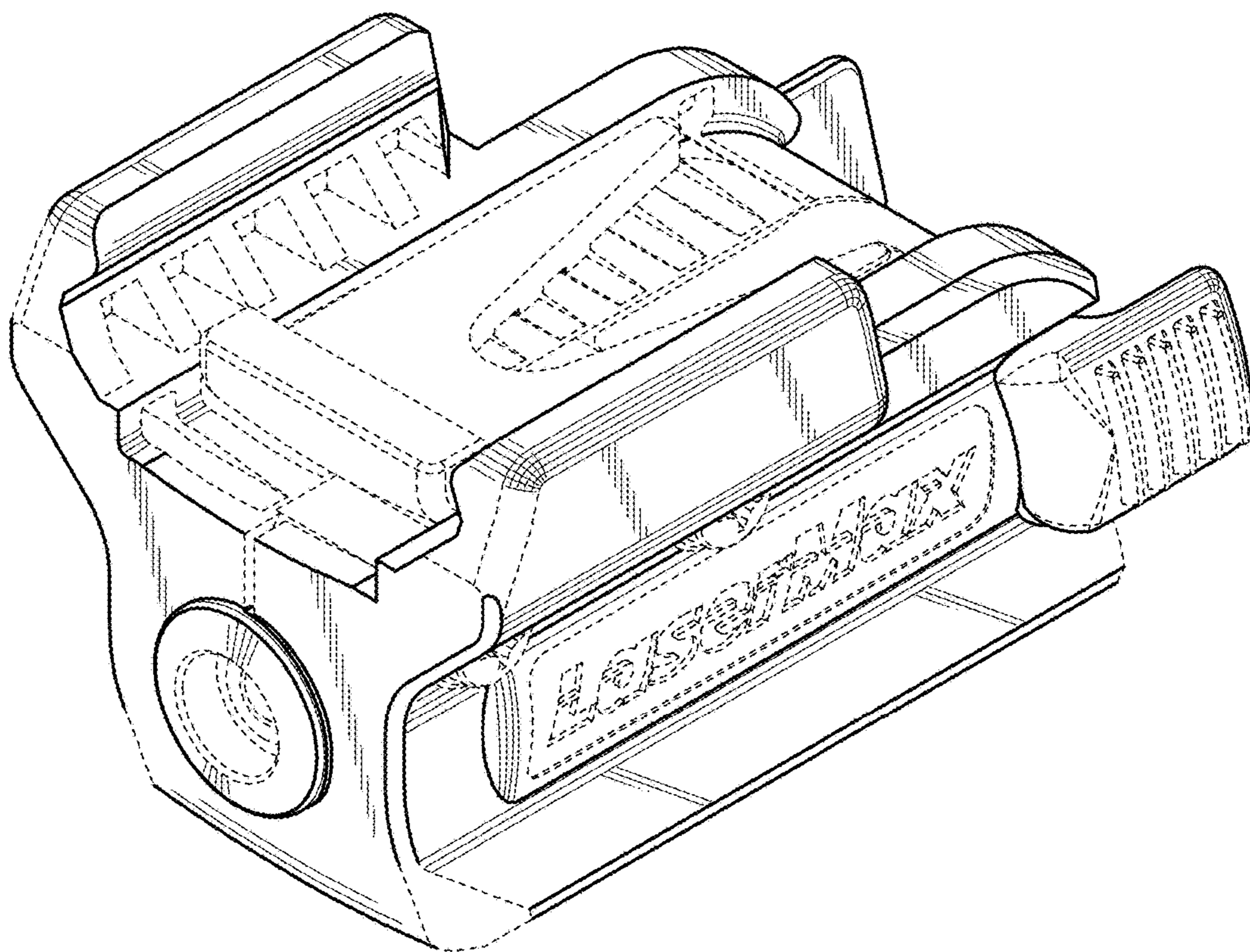


FIG. 2

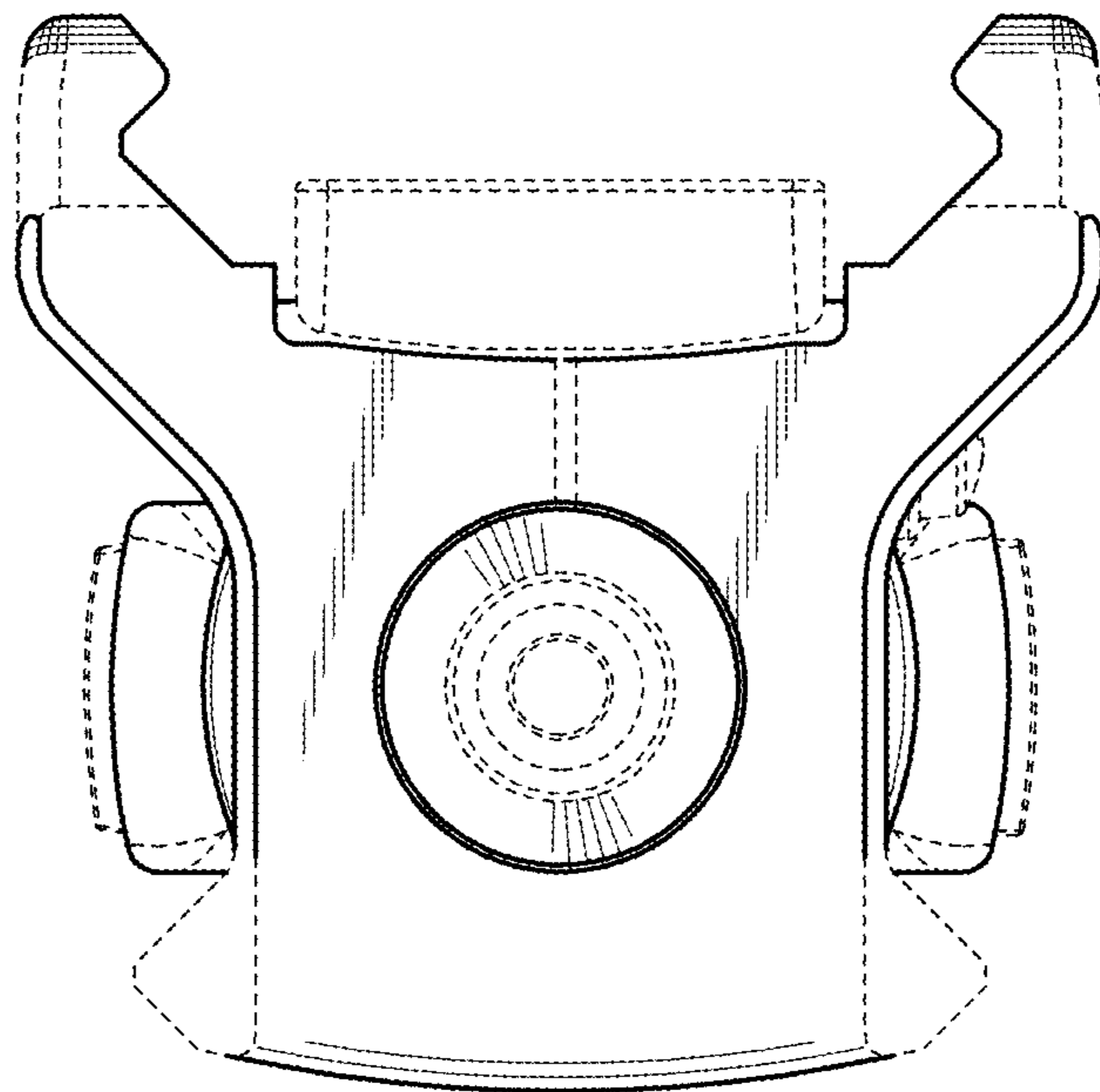


FIG. 3

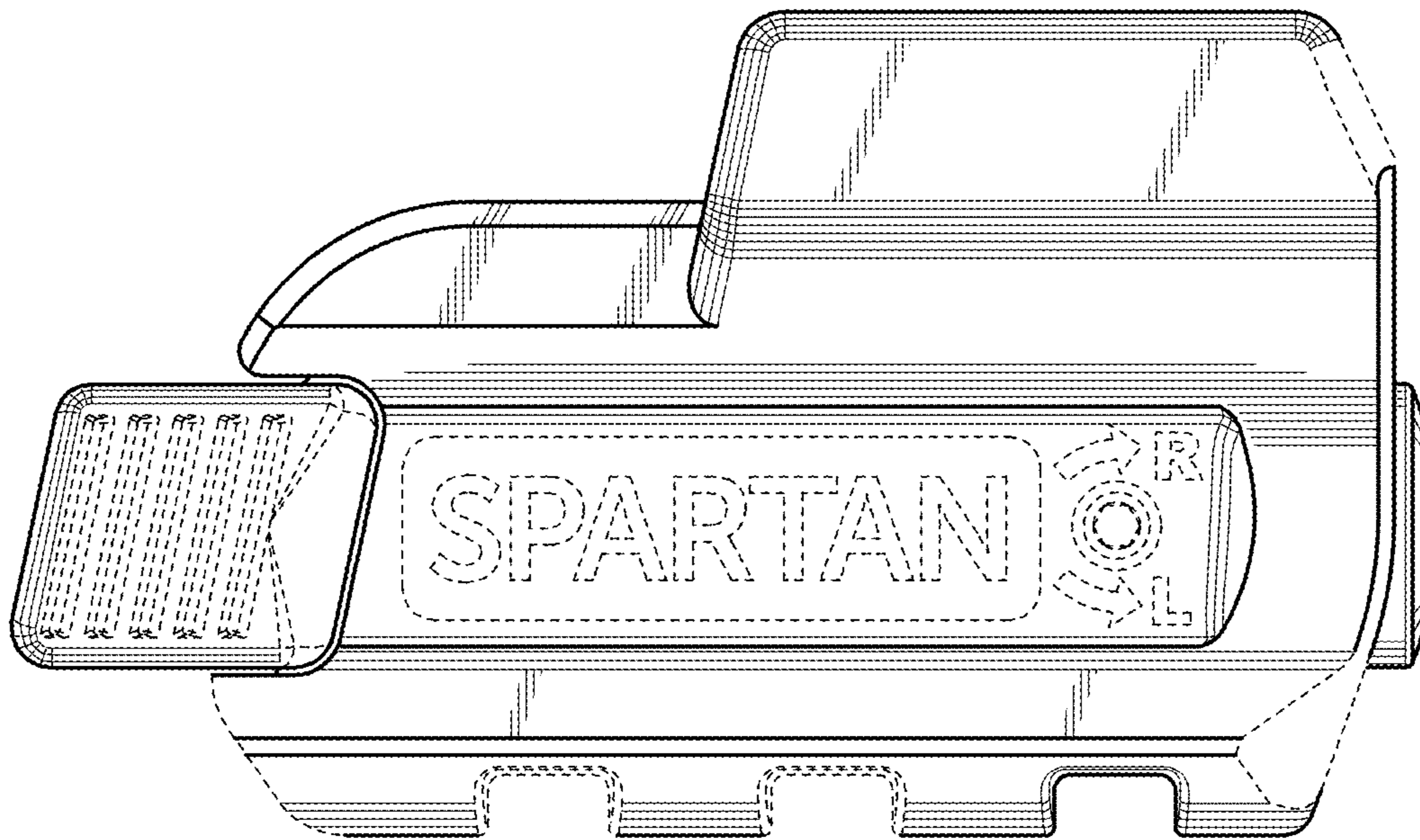


FIG. 4

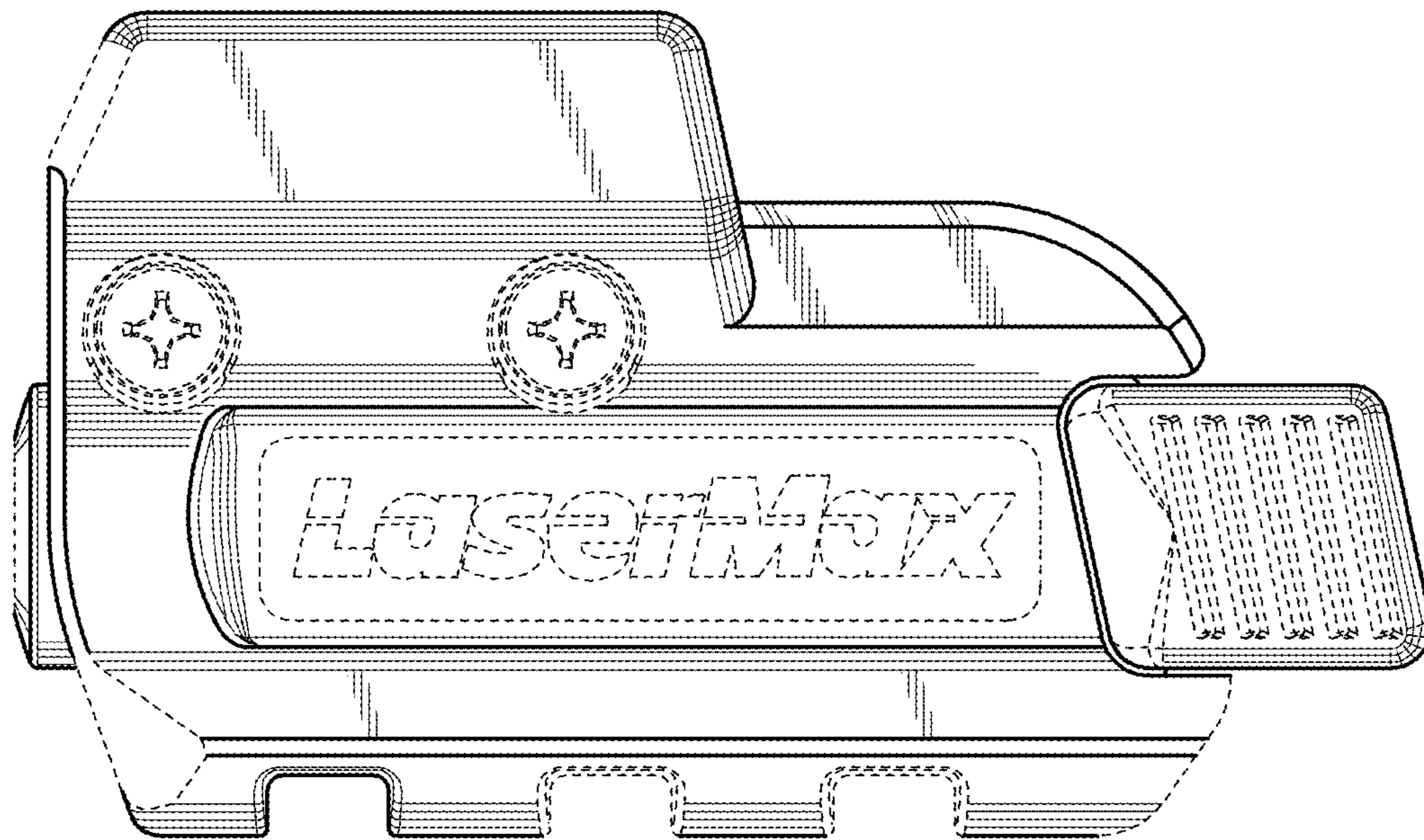


FIG. 5

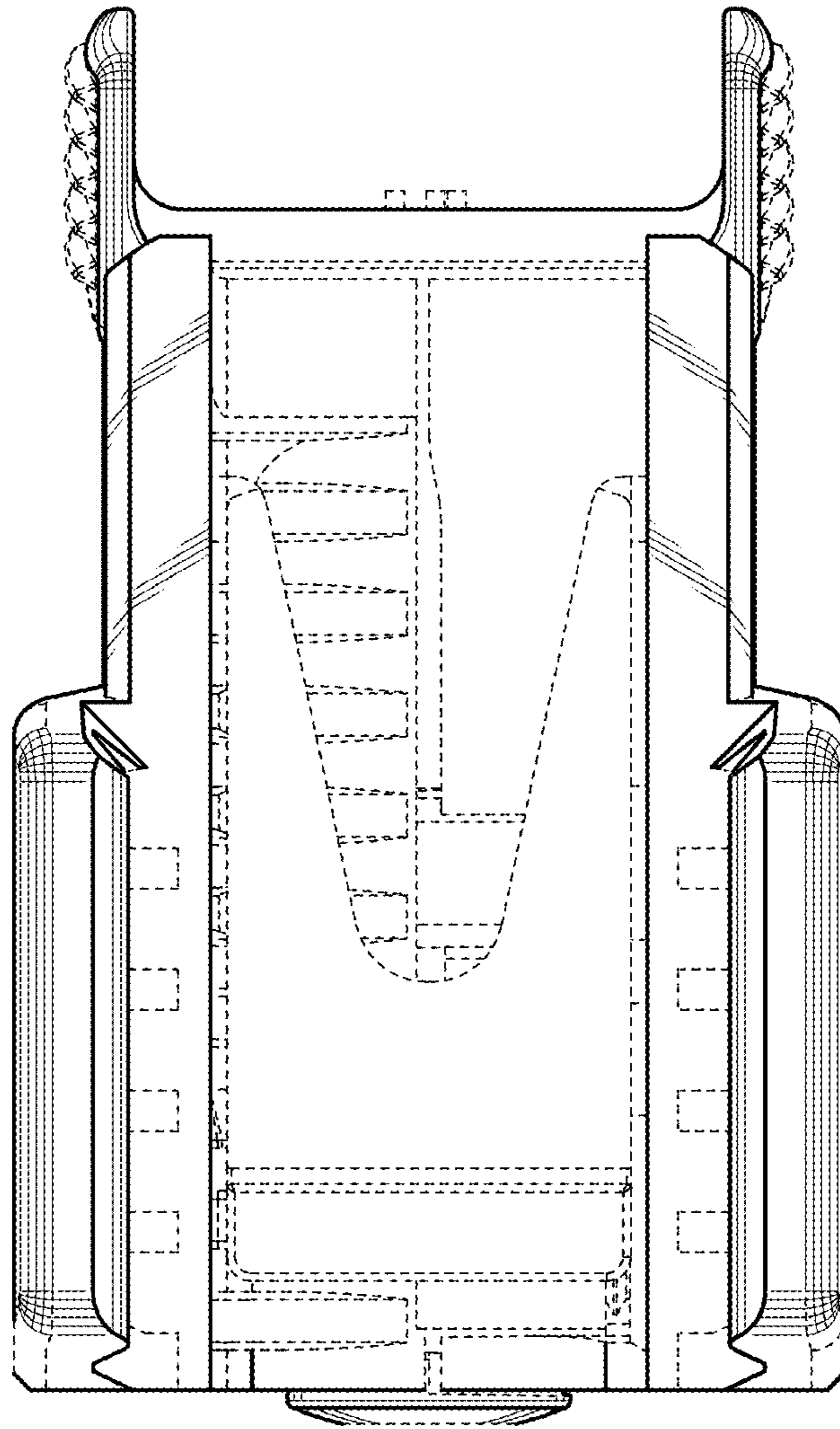


FIG. 6

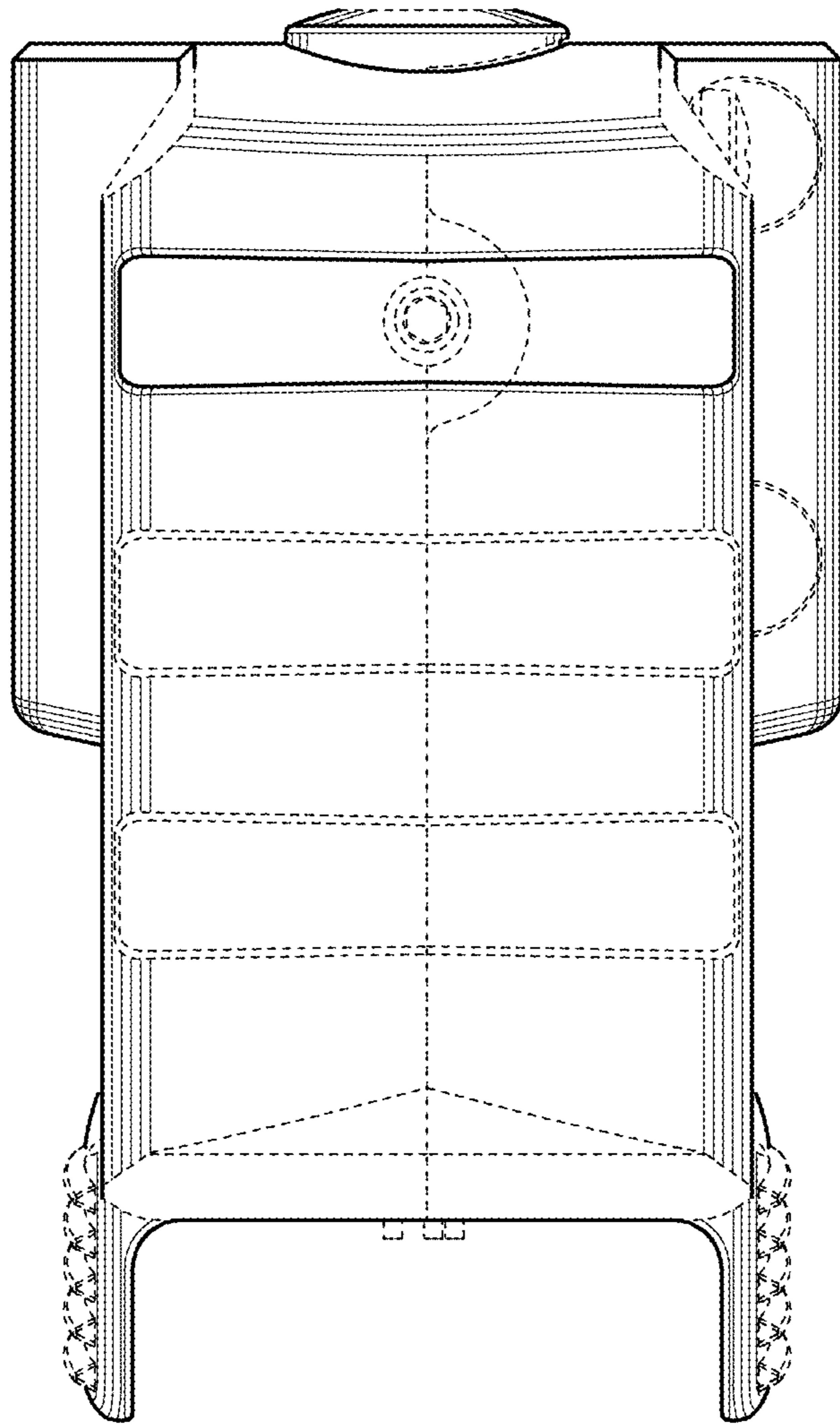


FIG. 7