



US00D826361S

(12) **United States Design Patent**
Cheng et al.

(10) **Patent No.:** **US D826,361 S**

(45) **Date of Patent:** **** Aug. 21, 2018**

(54) **VERTICAL GRIP**

(71) Applicants: **Carson Cheng**, City of Industry, CA (US); **Changan Tian**, City of Industry, CA (US); **Richard Thomas**, City of Industry, CA (US)

(72) Inventors: **Carson Cheng**, City of Industry, CA (US); **Changan Tian**, City of Industry, CA (US); **Richard Thomas**, City of Industry, CA (US)

(73) Assignee: **NcSTAR, Inc.**, City of Industry, CA (US)

(**) Term: **15 Years**

(21) Appl. No.: **29/579,246**

(22) Filed: **Sep. 28, 2016**

(51) **LOC (11) Cl.** **22-01**

(52) **U.S. Cl.**
USPC **D22/108**

(58) **Field of Classification Search**
USPC D22/108
CPC F41C 23/10; F41C 23/14; F41C 23/16;
F41C 23/18

See application file for complete search history.

(56) **References Cited**

U.S. PATENT DOCUMENTS

D633,163 S *	2/2011	Fitzpatrick	D22/108
D642,651 S *	8/2011	Faifer	D22/108
D644,707 S *	9/2011	Faifer	D22/108
D660,934 S *	5/2012	Faifer	D22/108
D704,298 S *	5/2014	Cheng	D22/109
D745,628 S *	12/2015	Barfoot	D22/108

D790,652 S *	6/2017	Gaddini	D22/108
D812,177 S *	3/2018	Geissele	D22/108
D814,594 S *	4/2018	Saadon	D22/108

* cited by examiner

Primary Examiner — Michael A. Pratt

(74) *Attorney, Agent, or Firm* — Raymond Y. Chan;
David and Raymond Patent Firm

(57) **CLAIM**

The ornamental design for a vertical grip, as shown and described.

DESCRIPTION

FIG. 1 is a perspective view of the vertical grip our new design;

FIG. 2 is a front view of the vertical grip;

FIG. 3 is a rear view of the vertical grip;

FIG. 4 is a left view of the vertical grip;

FIG. 5 is a right view of the vertical grip;

FIG. 6 is a top view of the vertical grip;

FIG. 7 is a bottom view of the vertical grip;

FIG. 8 is a perspective view of the vertical grip at an extended position;

FIG. 9 is a front view of the vertical grip at the extended position;

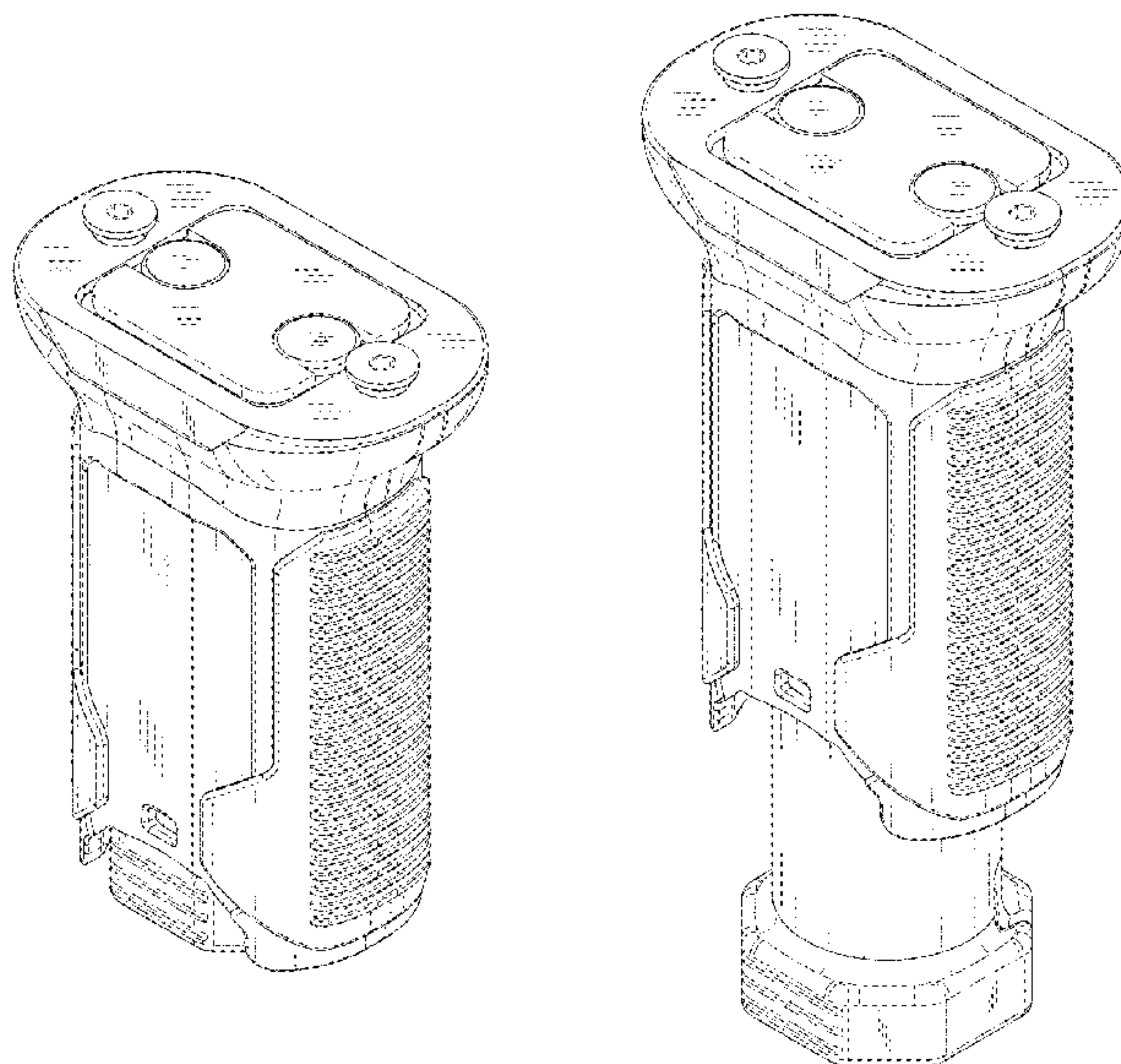
FIG. 10 is a rear view of the vertical grip at the extended position;

FIG. 11 is a left view of the vertical grip at the extended position; and,

FIG. 12 is a right view of the vertical grip at the extended position.

The broken lines represent unclaimed portions of the design article. All of the broken lines forms no part of the claimed design.

1 Claim, 12 Drawing Sheets



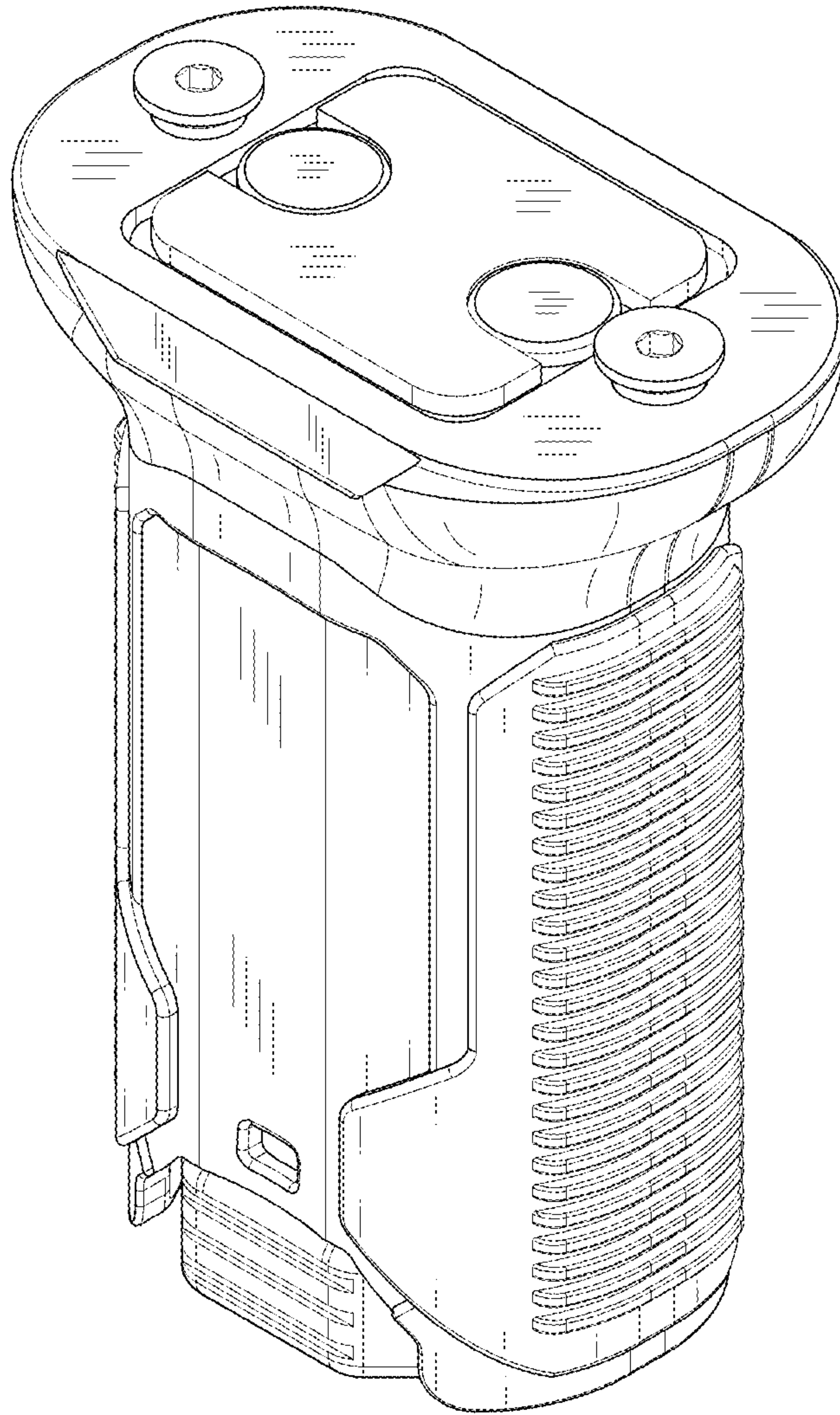


FIG.1

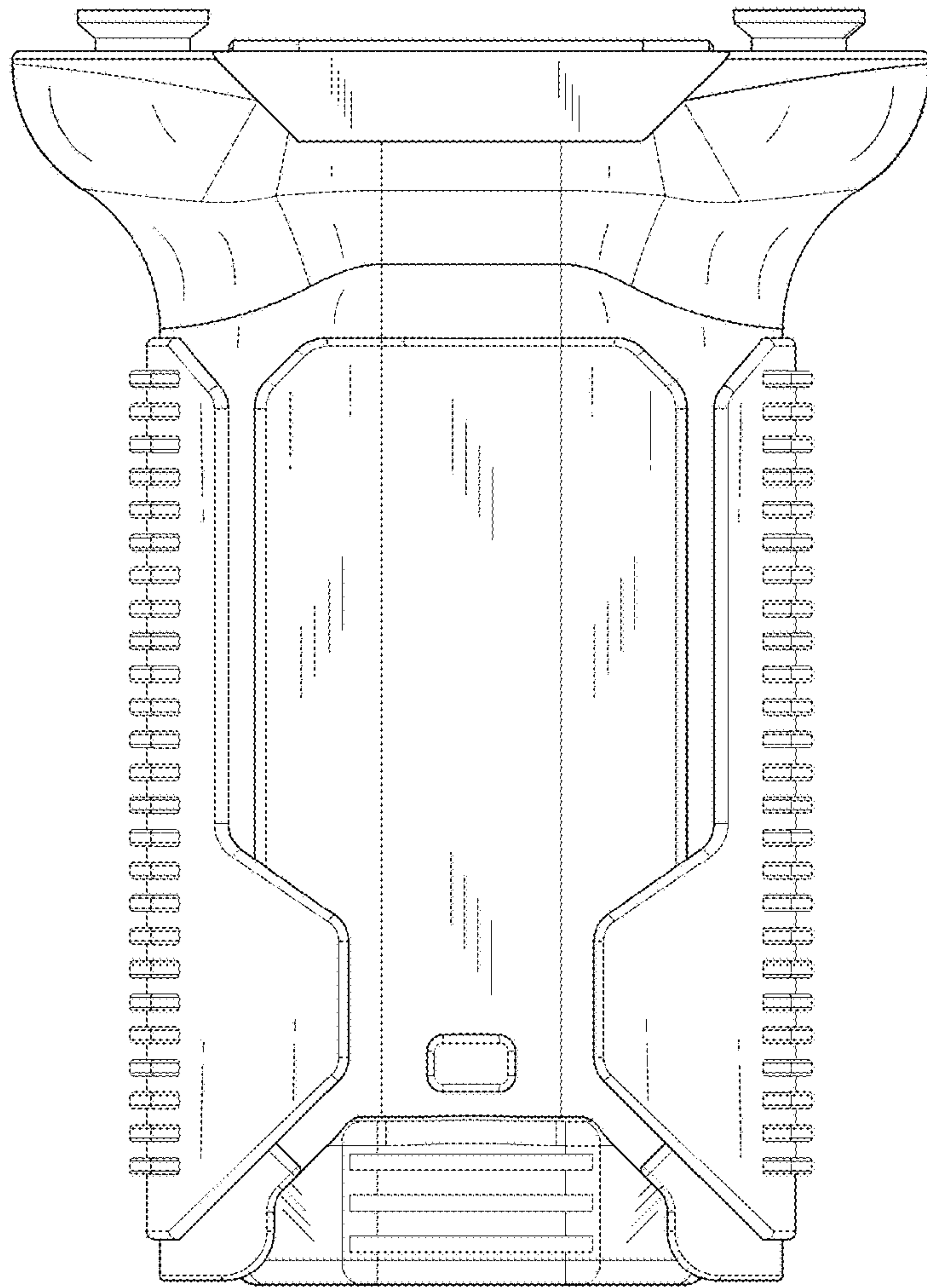


FIG.2

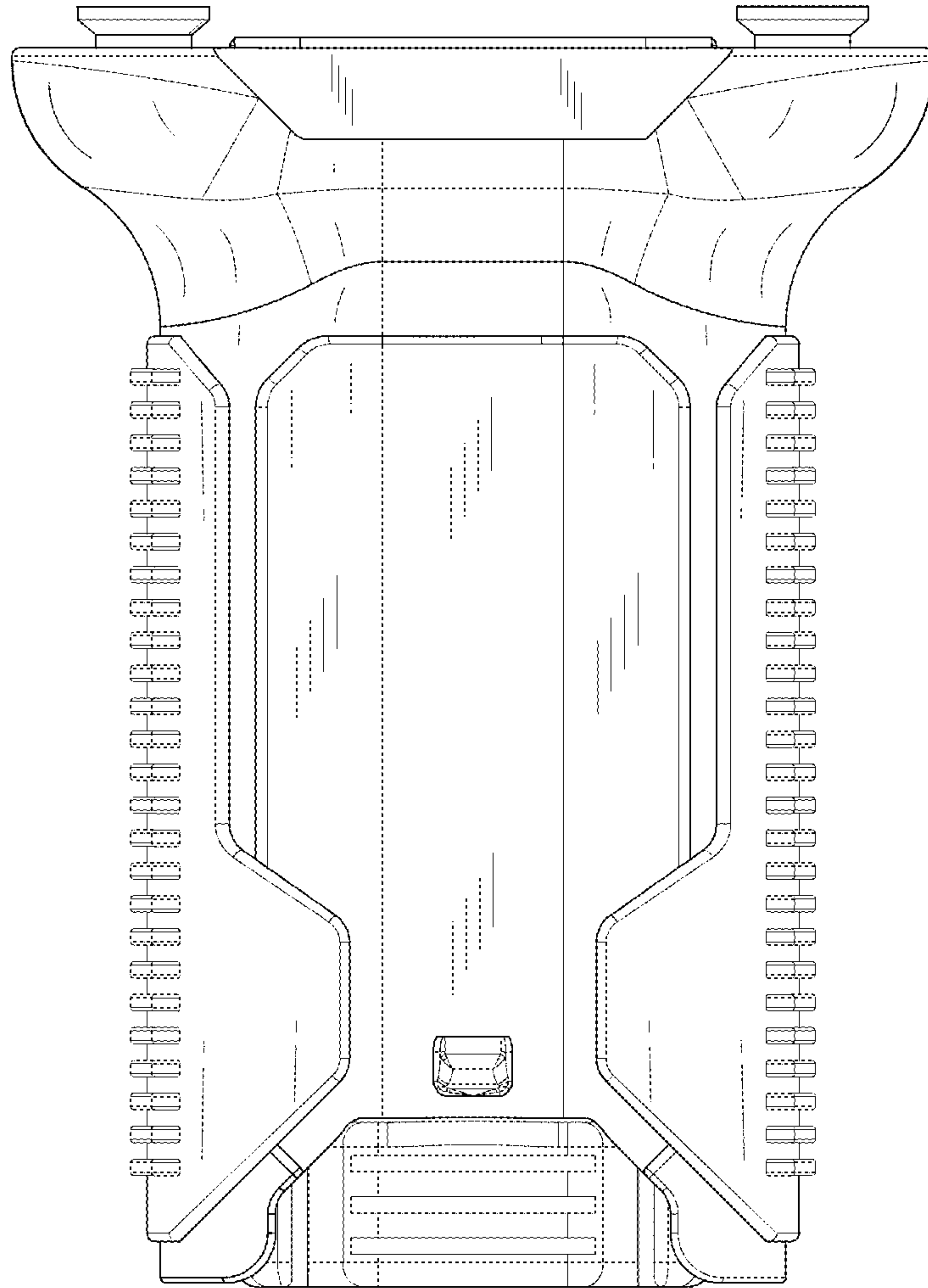


FIG.3

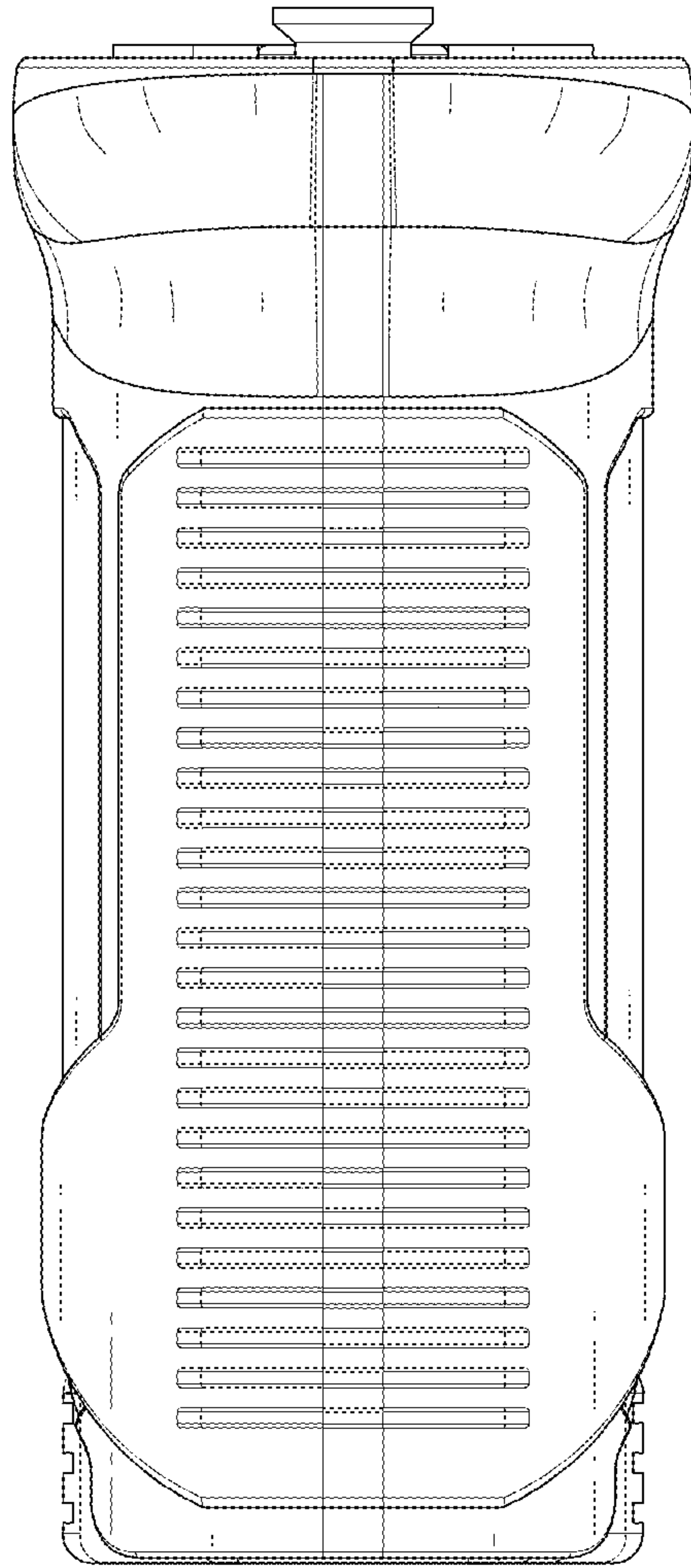


FIG.4

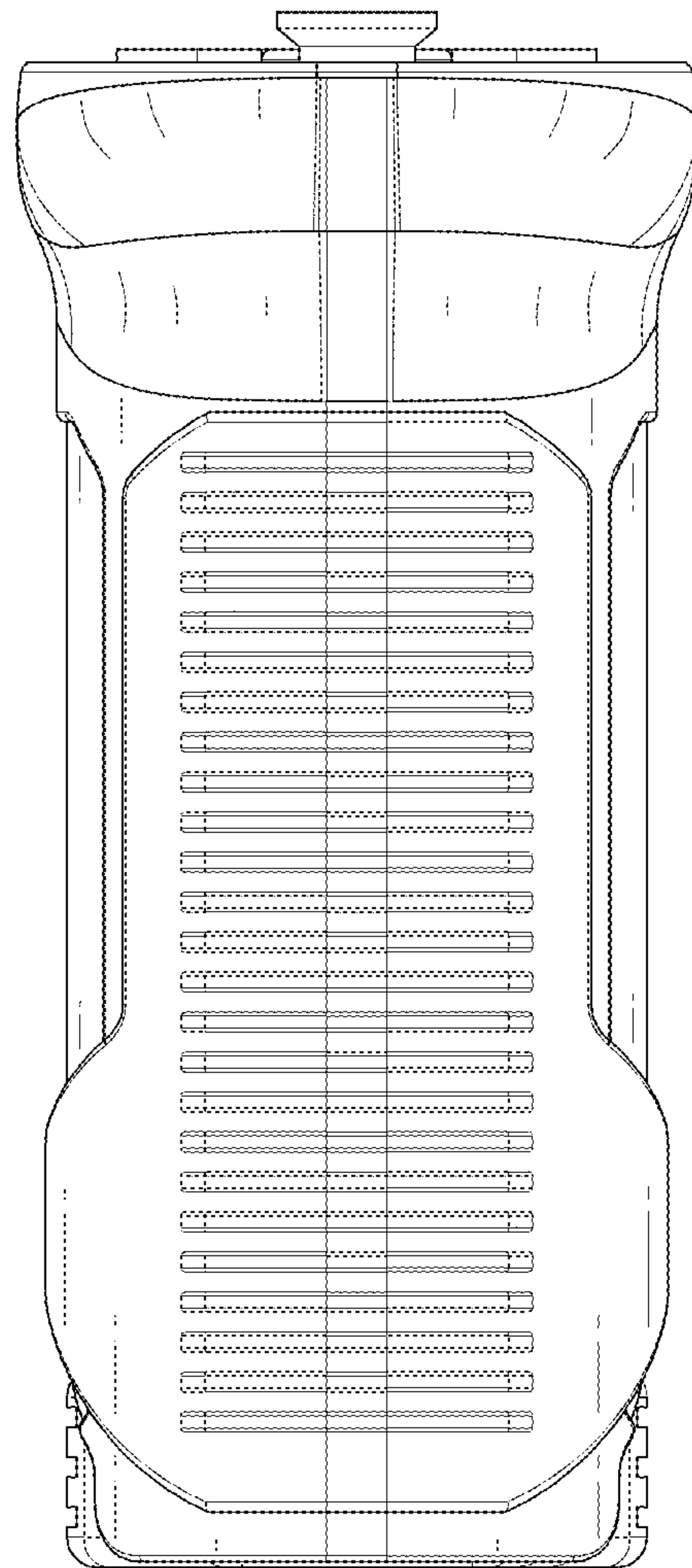


FIG.5

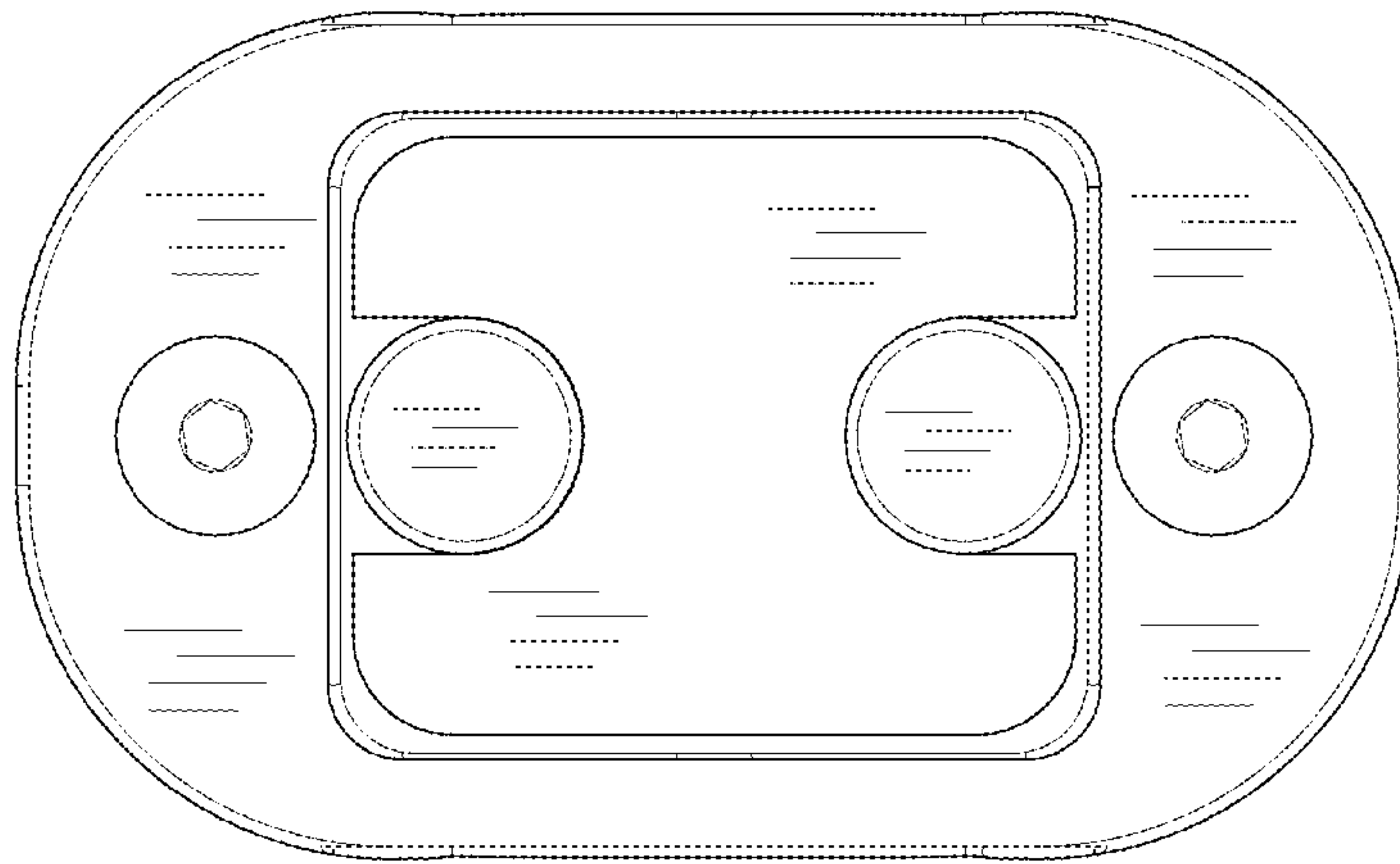


FIG.6

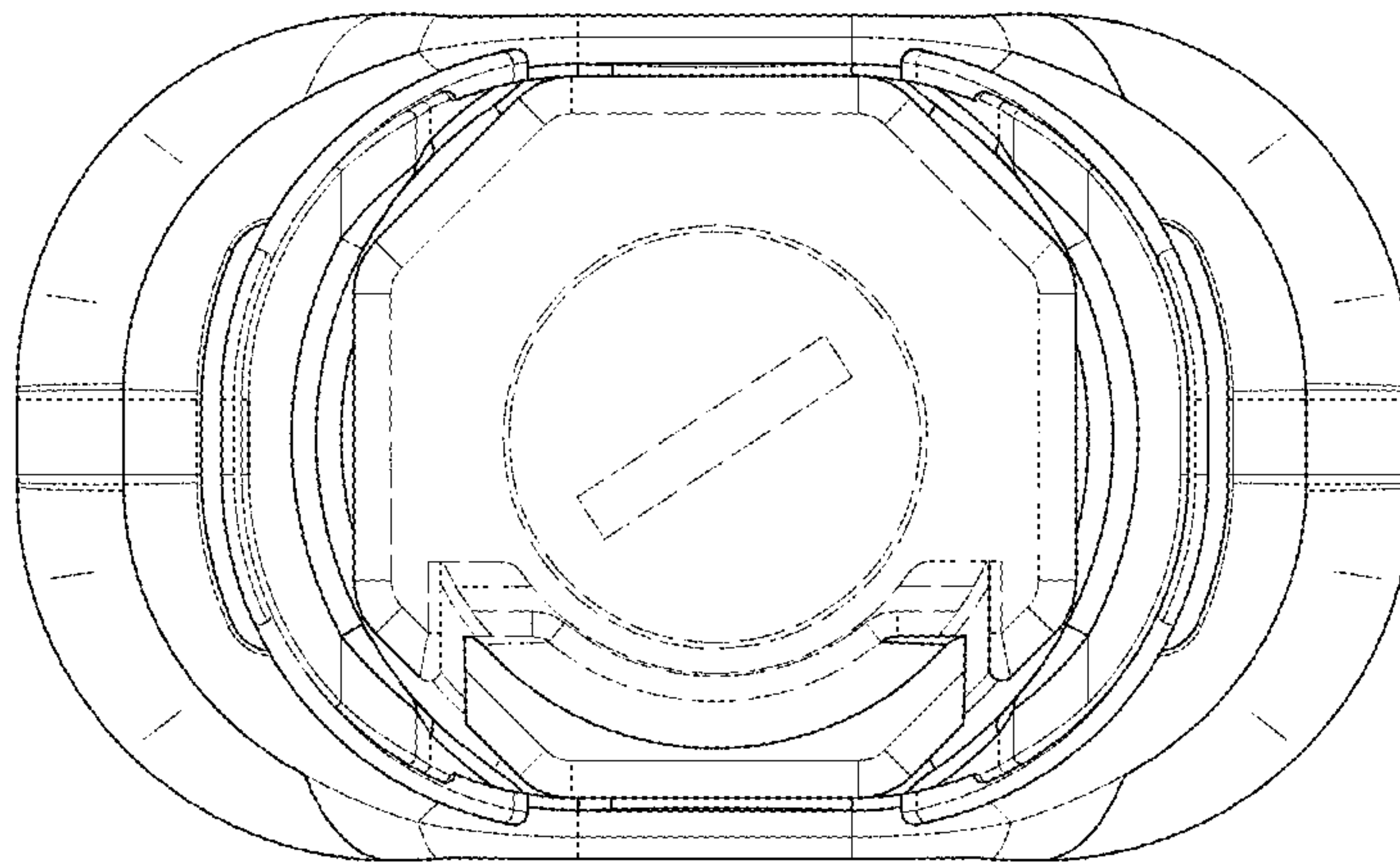


FIG.7

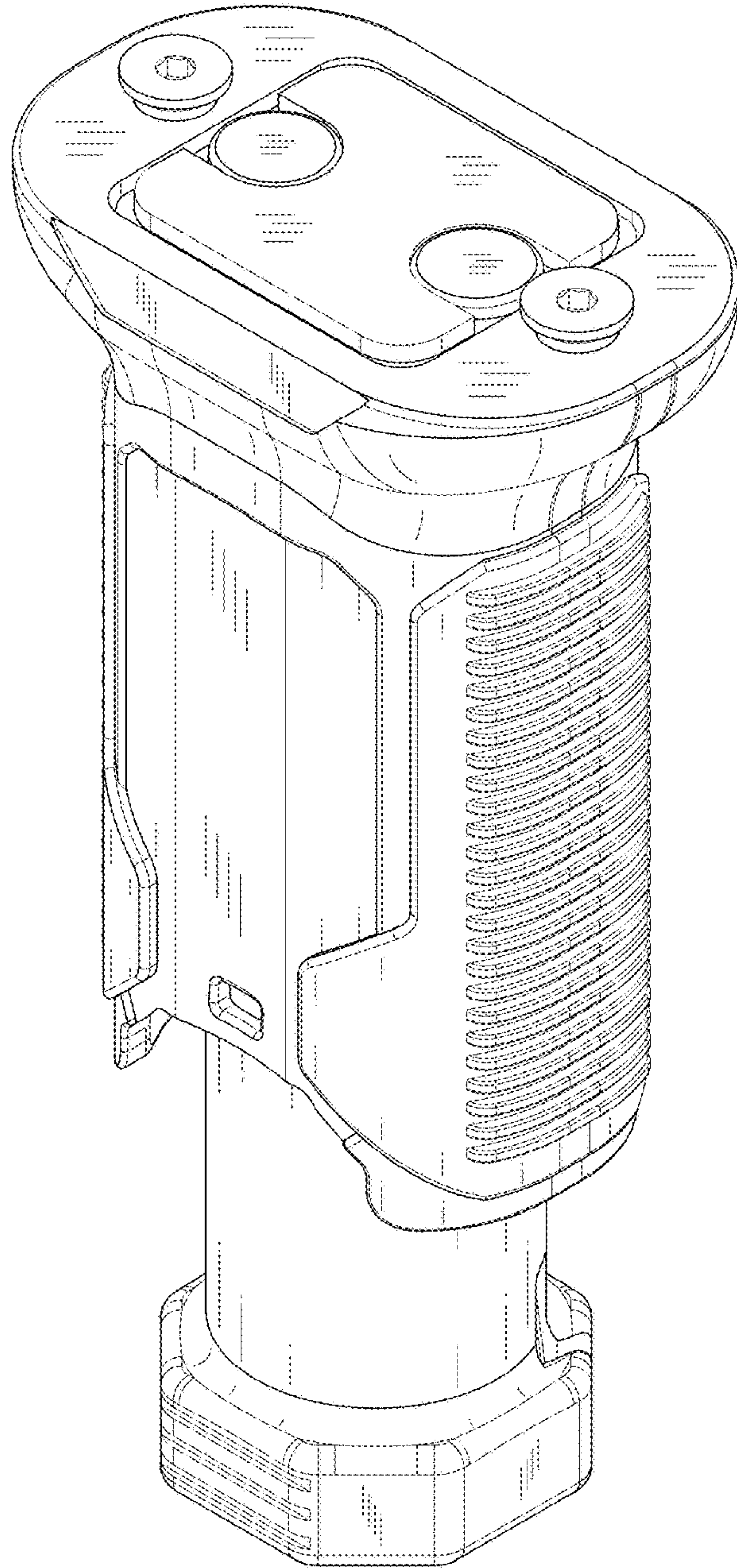


FIG.8

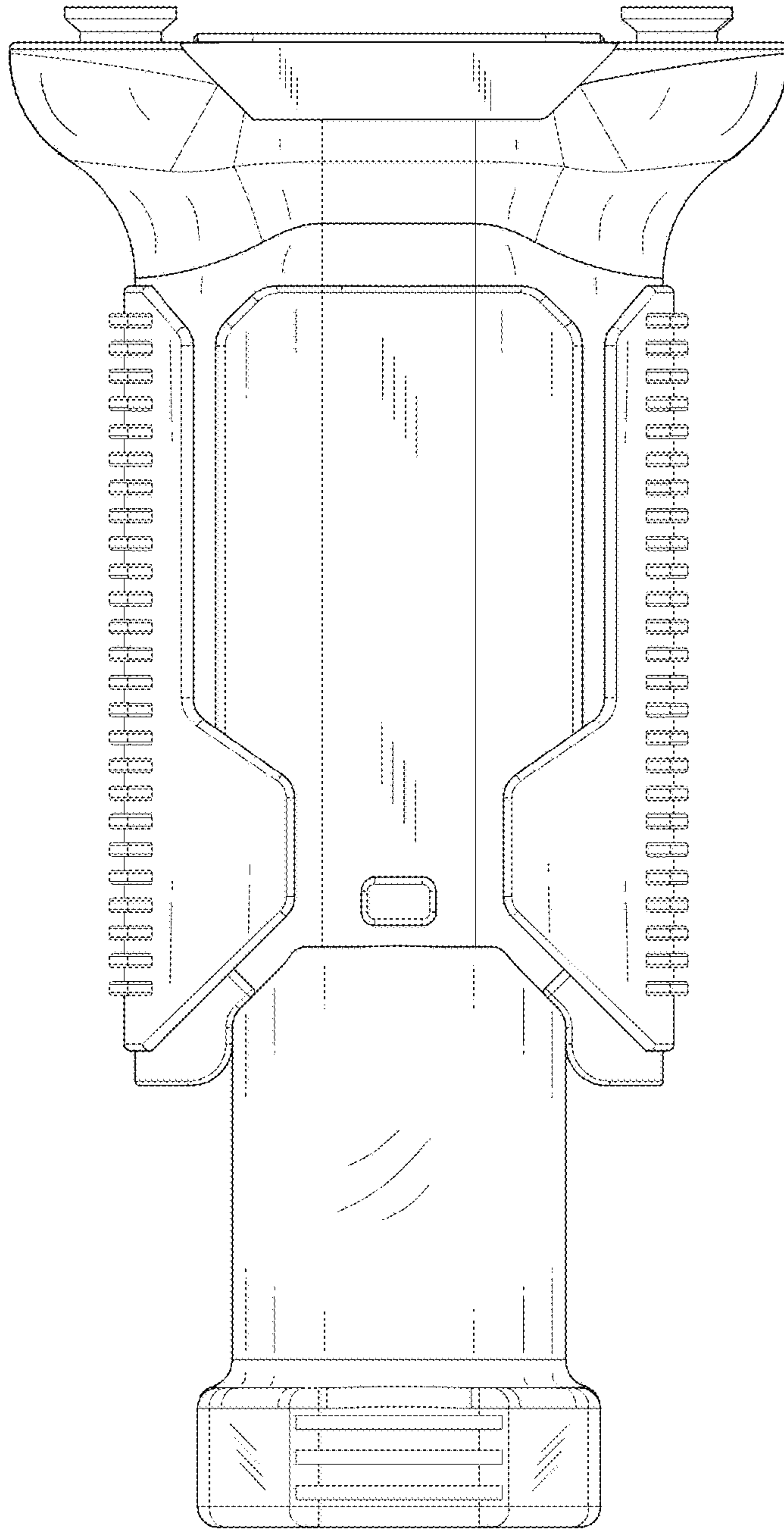


FIG.9

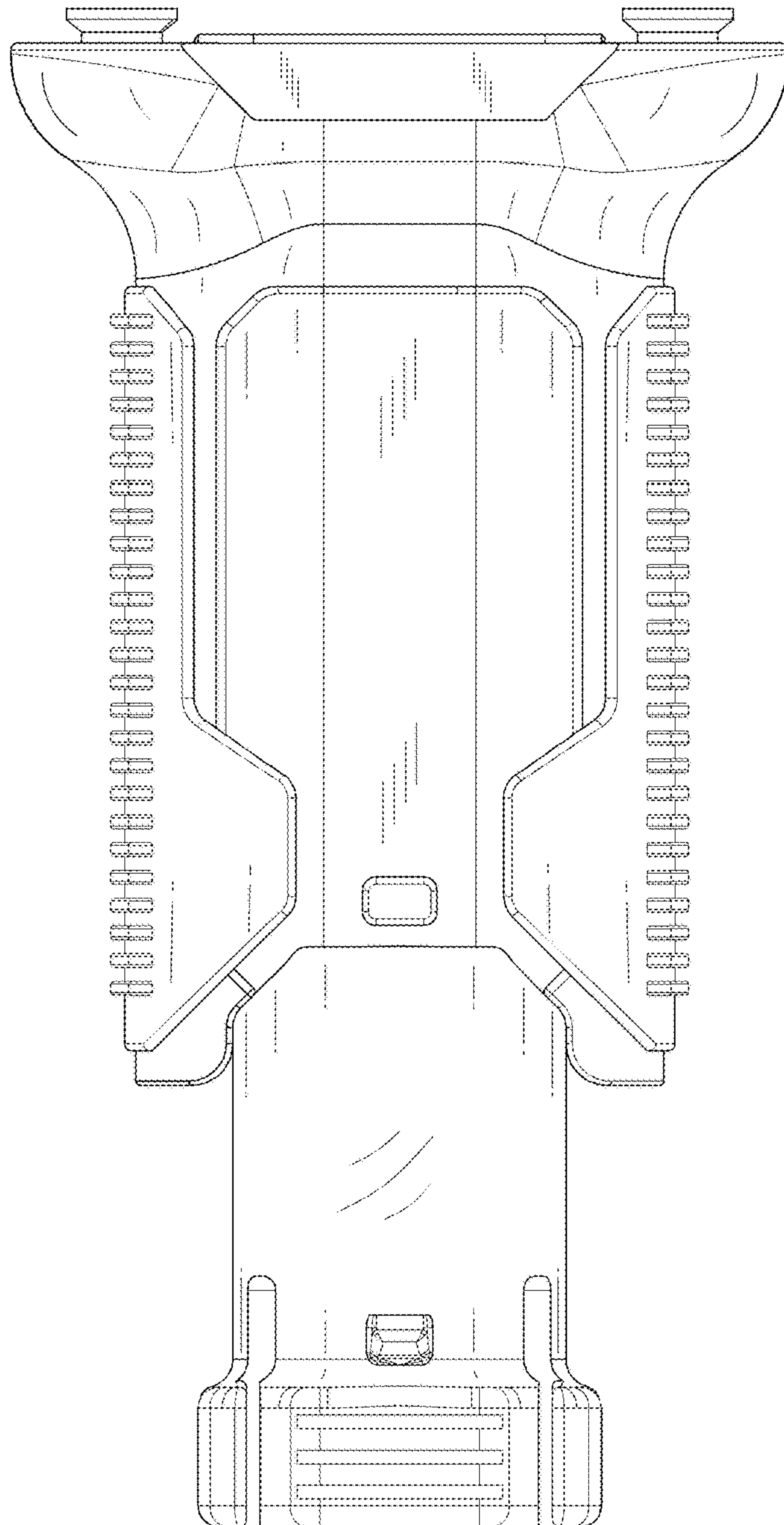


FIG.10

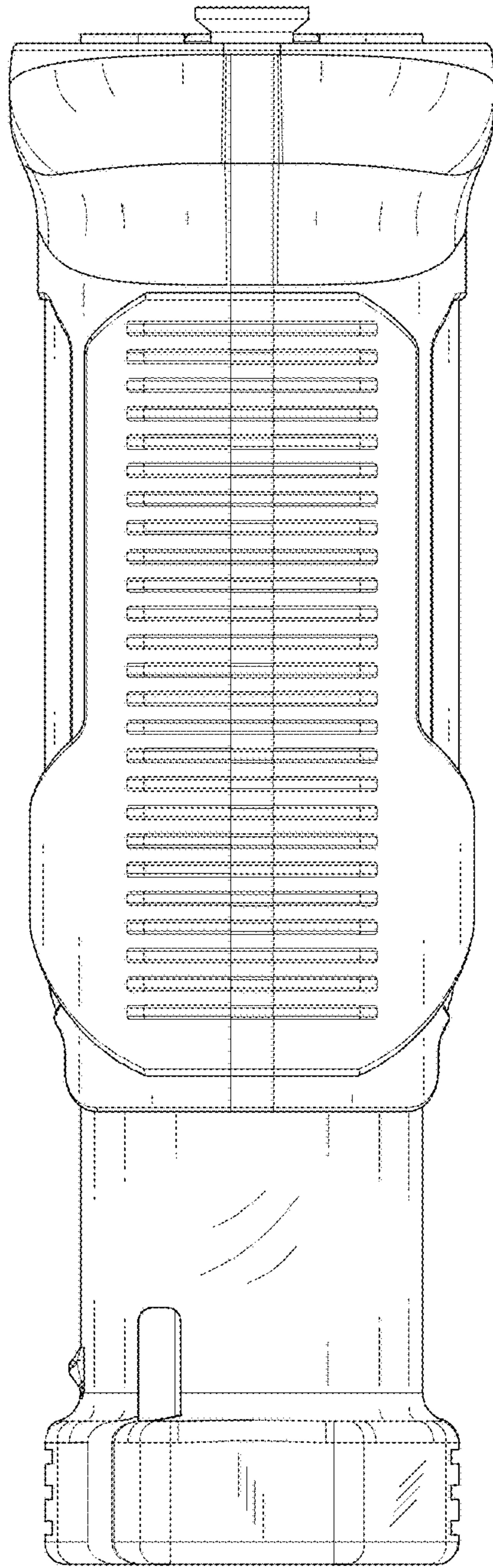


FIG.11

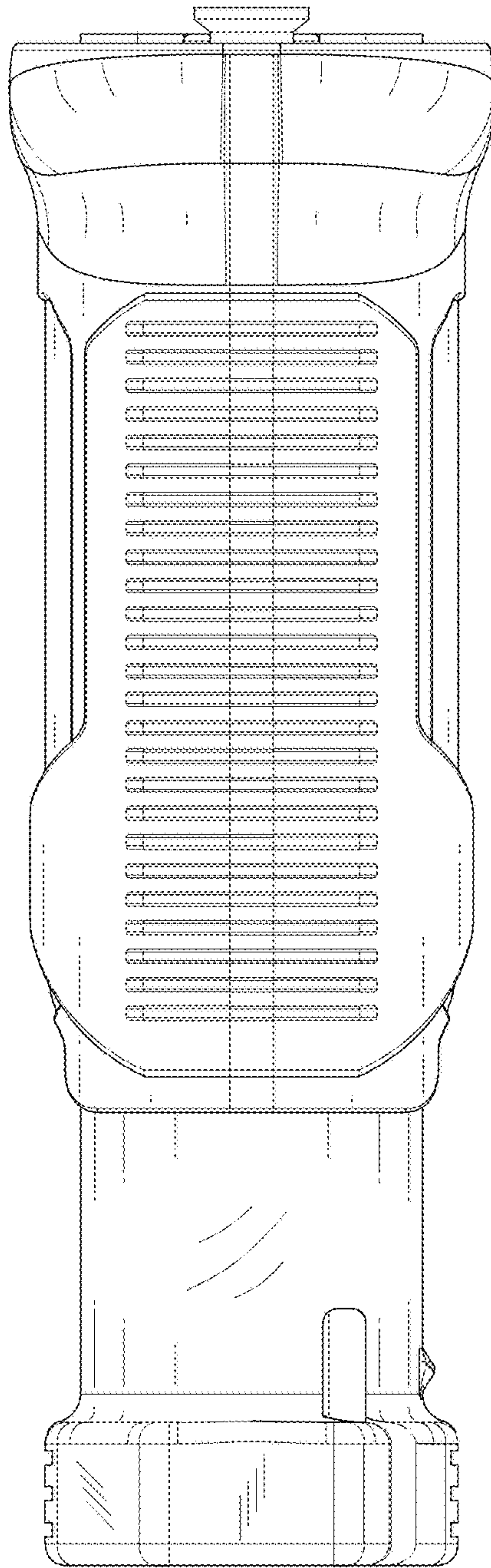


FIG.12