



US00D826360S

(12) **United States Design Patent**  
**Cheng et al.**

(10) **Patent No.:** **US D826,360 S**

(45) **Date of Patent:** **\*\* Aug. 21, 2018**

(54) **TACTICAL RING**

(71) Applicants: **Carson Cheng**, City of Industry, CA (US); **Jason Michael Cheng**, City of Industry, CA (US)

(72) Inventors: **Carson Cheng**, City of Industry, CA (US); **Jason Michael Cheng**, City of Industry, CA (US)

(73) Assignee: **NcSTAR, INC.**, City of Industry, CA (US)

(\*\*) Term: **15 Years**

(21) Appl. No.: **29/530,889**

(22) Filed: **Jun. 21, 2015**

(51) **LOC (11) Cl.** ..... **22-01**

(52) **U.S. Cl.**  
USPC ..... **D22/108**

(58) **Field of Classification Search**  
USPC ..... D22/100, 108, 109, 110, 199; 42/11, 42/113, 116, 119, 124, 125, 127, 90, 145,  
(Continued)

(56) **References Cited**

**U.S. PATENT DOCUMENTS**

D249,538 S \* 9/1978 Weast ..... 248/205.1  
D391,335 S \* 2/1998 Bechtel ..... D22/108  
(Continued)

**OTHER PUBLICATIONS**

NcSTAR, Tactical Series 30mm Ring—1.3"H, Wayback Machine publication date Mar. 16, 2015, Available on the Internet URL:<<http://web.archive.org/web/20150316150105/http://ncstar.com/product/product-detail.aspx?ModelNo=VR30T13&GroupNo=0>>.\*

(Continued)

*Primary Examiner* — Karen S Acker  
*Assistant Examiner* — Steven B Reinholdt, Jr.

(74) *Attorney, Agent, or Firm* — Raymond Y. Chan; David and Raymond Patent Firm

(57) **CLAIM**

The ornamental design for a tactical ring, as shown and described.

**DESCRIPTION**

FIG. 1 is a perspective view of a tactical ring our new design. FIG. 2 is a front view of the tactical ring. FIG. 3 is a rear view of the tactical ring. FIG. 4 is a right view of the tactical ring. FIG. 5 is a left view of the tactical ring. FIG. 6 is a top view of the tactical ring. FIG. 7 is a bottom view of the tactical ring. FIG. 8 is a perspective view of the tactical ring, illustrating an insert coupled at a coupling slot of the tactical ring. FIG. 9 is a perspective view of a first modification of the tactical ring our new design. FIG. 10 is a front view of the first modification of the tactical ring. FIG. 11 is a rear view of the first modification of the tactical ring. FIG. 12 is a right view of the first modification of the tactical ring. FIG. 13 is a left view of the first modification of the tactical ring. FIG. 14 is a top view of the first modification of the tactical ring. FIG. 15 is a bottom view of the first modification of the tactical ring. FIG. 16 is a perspective view of the first modification of the tactical ring, illustrating an insert coupled at a coupling slot of the tactical ring. FIG. 17 is a perspective view of a second modification of the tactical ring our new design. FIG. 18 is a front view of the second modification of the tactical ring. FIG. 19 is a rear view of the second modification of the tactical ring. FIG. 20 is a right view of the second modification of the tactical ring.

(Continued)

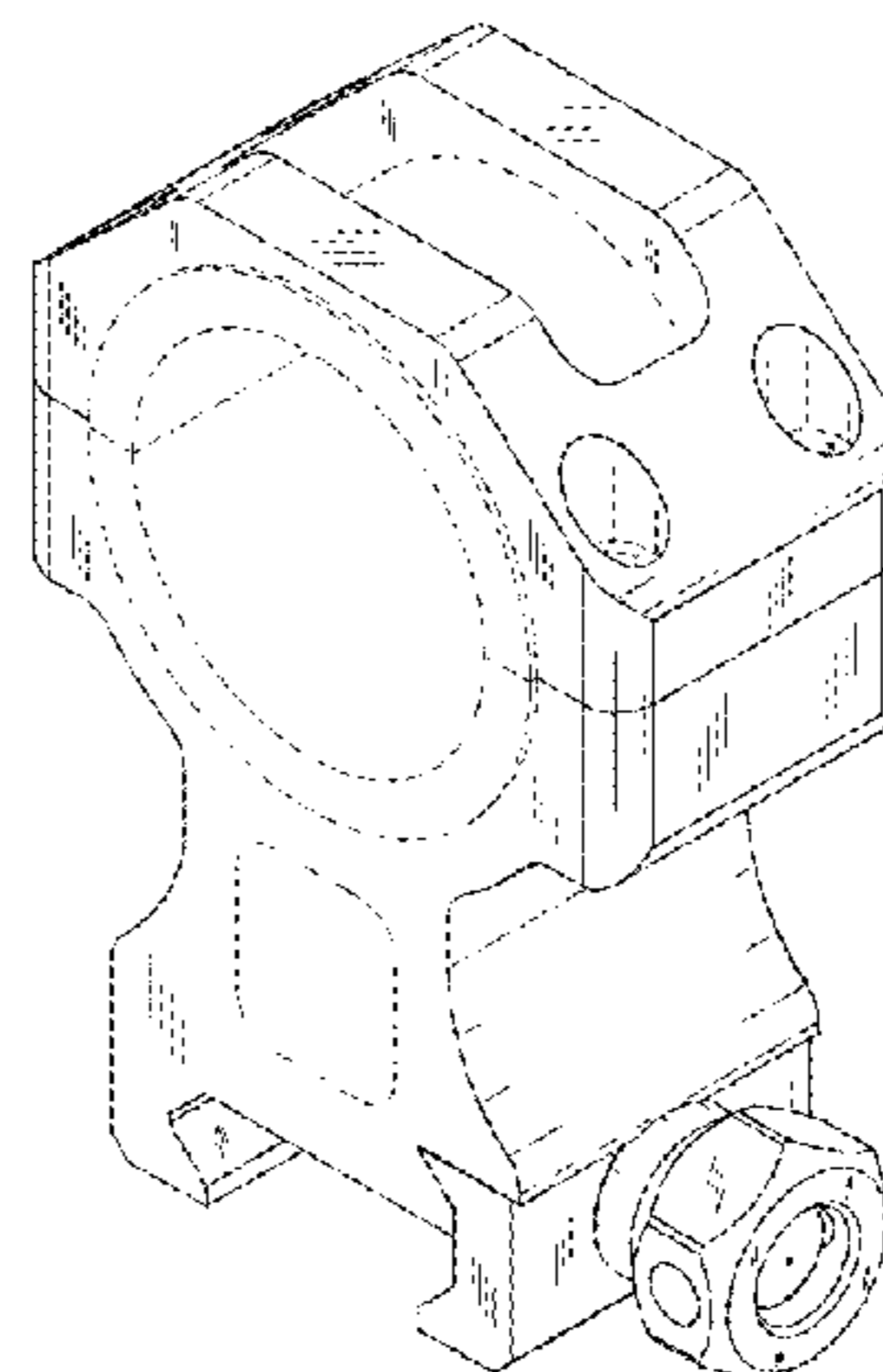
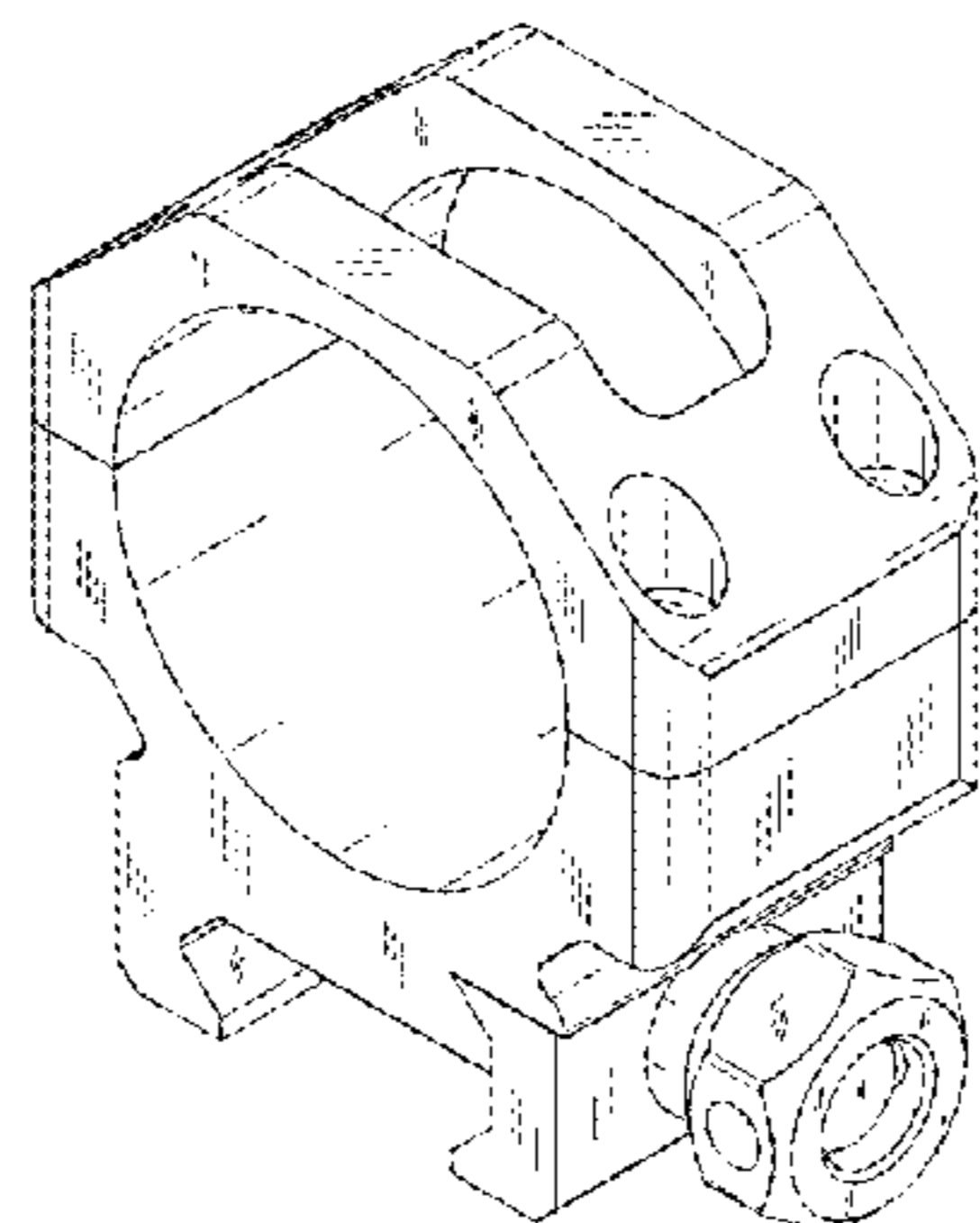


FIG. 21 is a left view of the second modification of the tactical ring.

FIG. 22 is a top view of the second modification of the tactical ring.

FIG. 23 is a bottom view of the second modification of the tactical ring.

FIG. 24 is a perspective view of the second modification of the tactical ring, illustrating an insert coupled at a coupling slot of the tactical ring.

FIG. 25 is a perspective view of a third modification of the tactical ring our new design.

FIG. 26 is a front view of the third modification of the tactical ring.

FIG. 27 is a rear view of the third modification of the tactical ring.

FIG. 28 is a right view of the third modification of the tactical ring.

FIG. 29 is a left view of the third modification of the tactical ring.

FIG. 30 is a top view of the third modification of the tactical ring.

FIG. 31 is a bottom view of the third modification of the tactical ring; and,

FIG. 32 is a perspective view of the third modification of the tactical ring, illustrating an insert coupled at a coupling slot of the tactical ring.

The broken lines represent portions of the tactical ring that form no part of the claimed design. The broken lines in FIGS. 8, 16, 24, and 32 depict environmental subject matter that form no part of the claimed design.

**1 Claim, 16 Drawing Sheets**

(58) **Field of Classification Search**  
 USPC ..... 42/128, 72, 106, 114, 85, 75.02, 71.01;  
 248/205.1, 201  
 CPC .... F41A 3/00; F41C 23/00; F41G 1/00; F41G  
 1/38; F16M 11/00  
 See application file for complete search history.

(56) **References Cited**

U.S. PATENT DOCUMENTS

D403,393	S	*	12/1998	Weast	.....	D22/108
D447,532	S	*	9/2001	Keng	.....	D22/110
D638,089	S	*	5/2011	Ding	.....	D22/109
D644,294	S	*	8/2011	Clary	.....	D22/108
D685,052	S	*	6/2013	Mok	.....	D22/109
D732,631	S	*	6/2015	Cheng	.....	D22/109
D755,342	S	*	5/2016	Ding	.....	D22/109

OTHER PUBLICATIONS

NcSTAR, Tactical Series 30mm Ring—1.1"H, Wayback Maching publication date Mar. 16, 2015, Available on the Internet URL:<<http://web.archive.org/web/20150316155112/http://ncstar.com/product/product-detail.aspx?ModelNo=VR30T11&GroupNo=0>>.\*

NcSTAR, Tactical Series 30mm Ring—0.9"H, Wayback Machine publication date Mar. 16, 2015, Available on the Internet URL:<<http://web.archive.org/web/20150316162839/http://ncstar.com/product/product-detail.aspx?ModelNo=VR30T09&GroupNo=0>>.\*

OpticsPlanet—YouTube, Weaver New Tactical Mounts at Shot Show 2013 Video, Jan. 31, 2013, [site visited Aug. 1, 2016], Available on the Internet URL:<<https://www.youtube.com/watch?v=nqaOjZcL8Mo>>.\*

\* cited by examiner

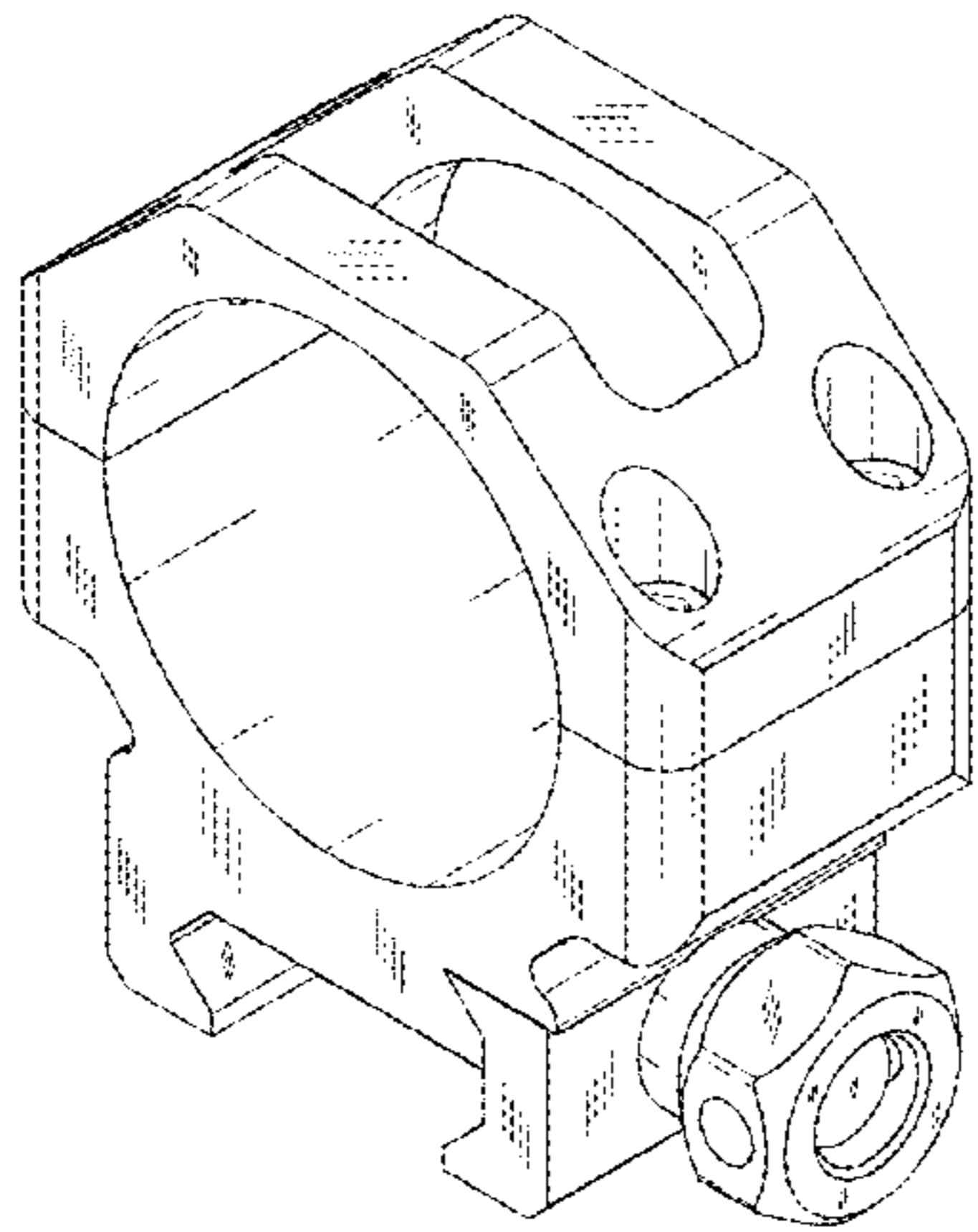


FIG.1

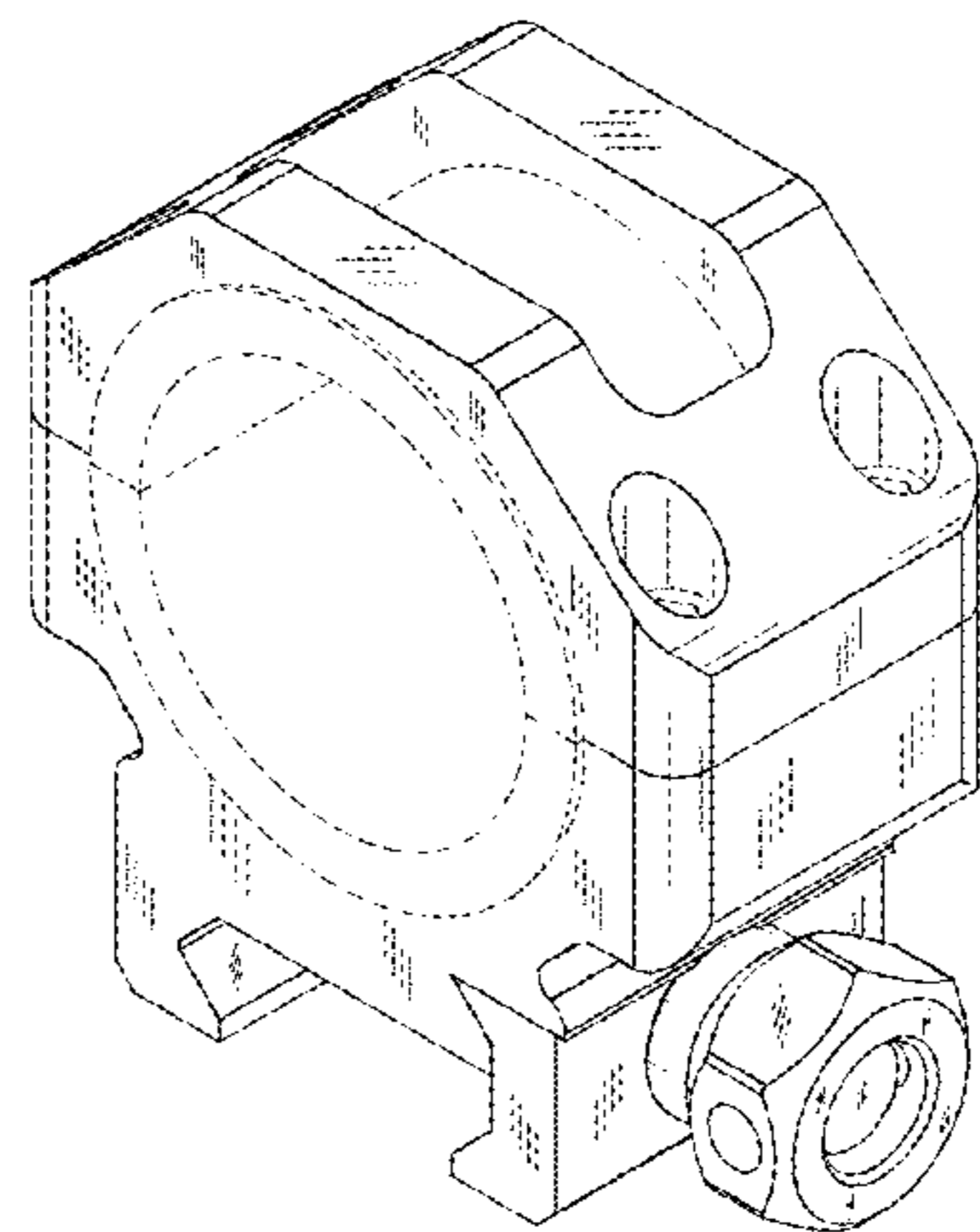


FIG.8

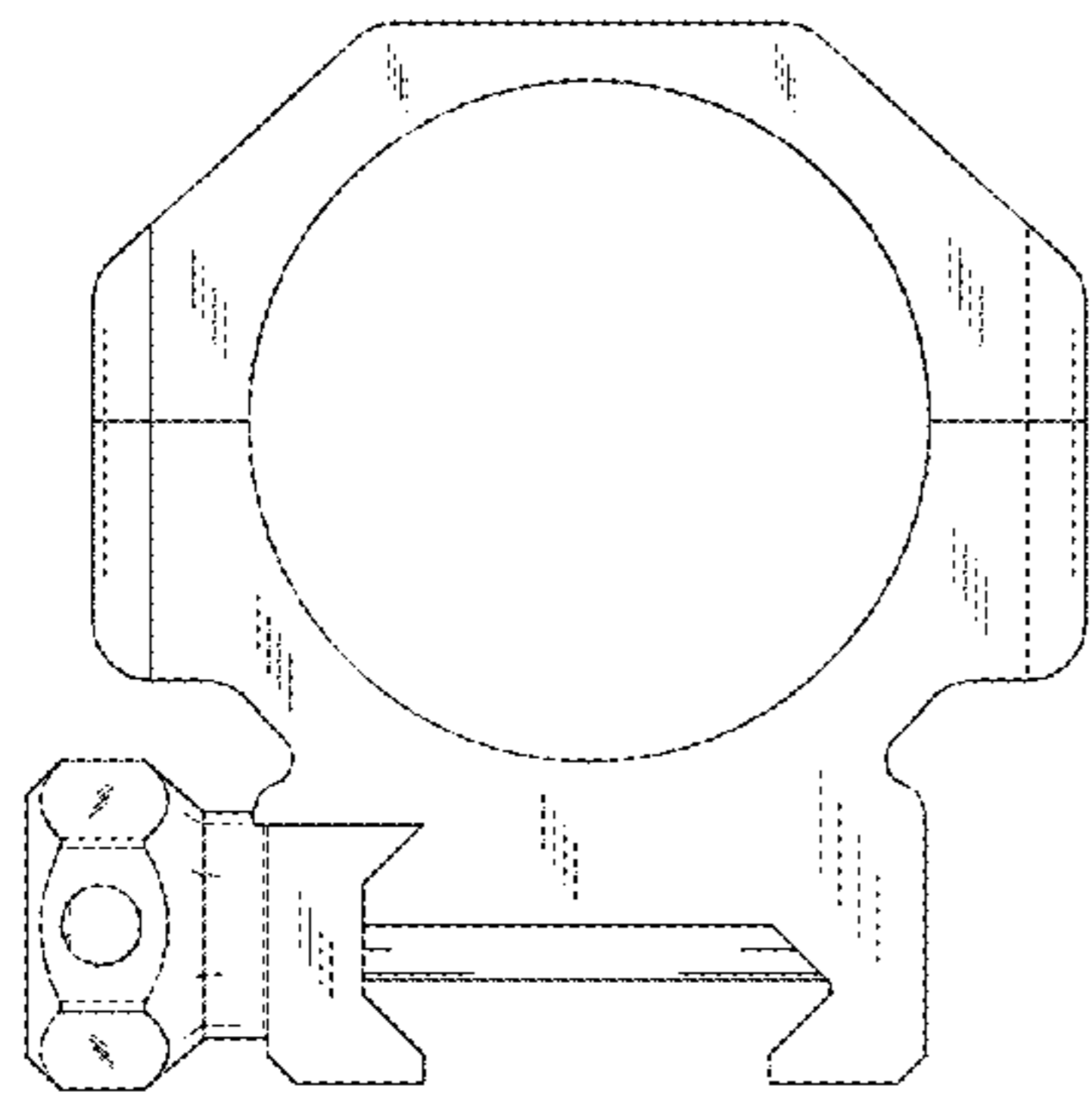


FIG.3

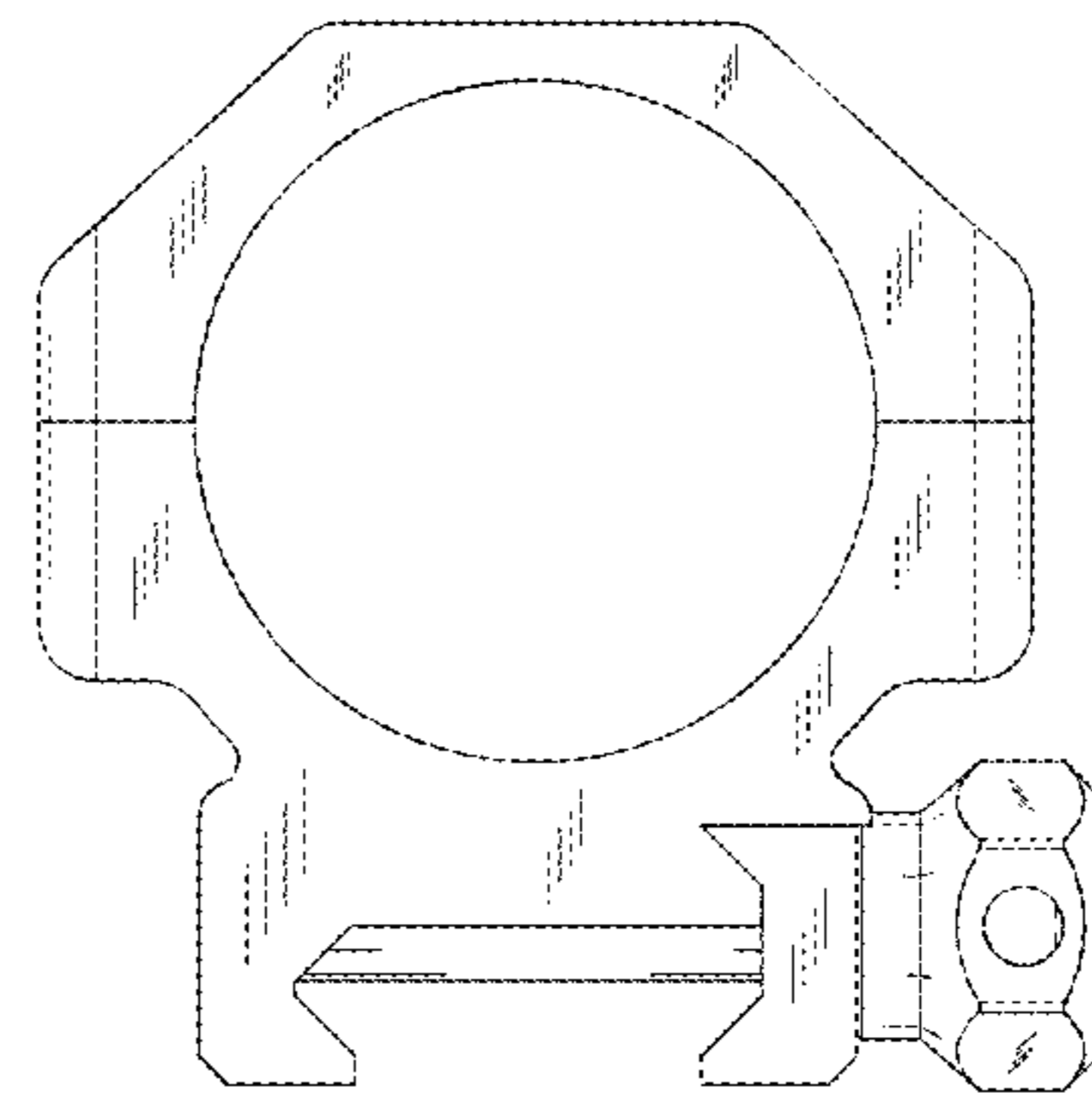


FIG.2

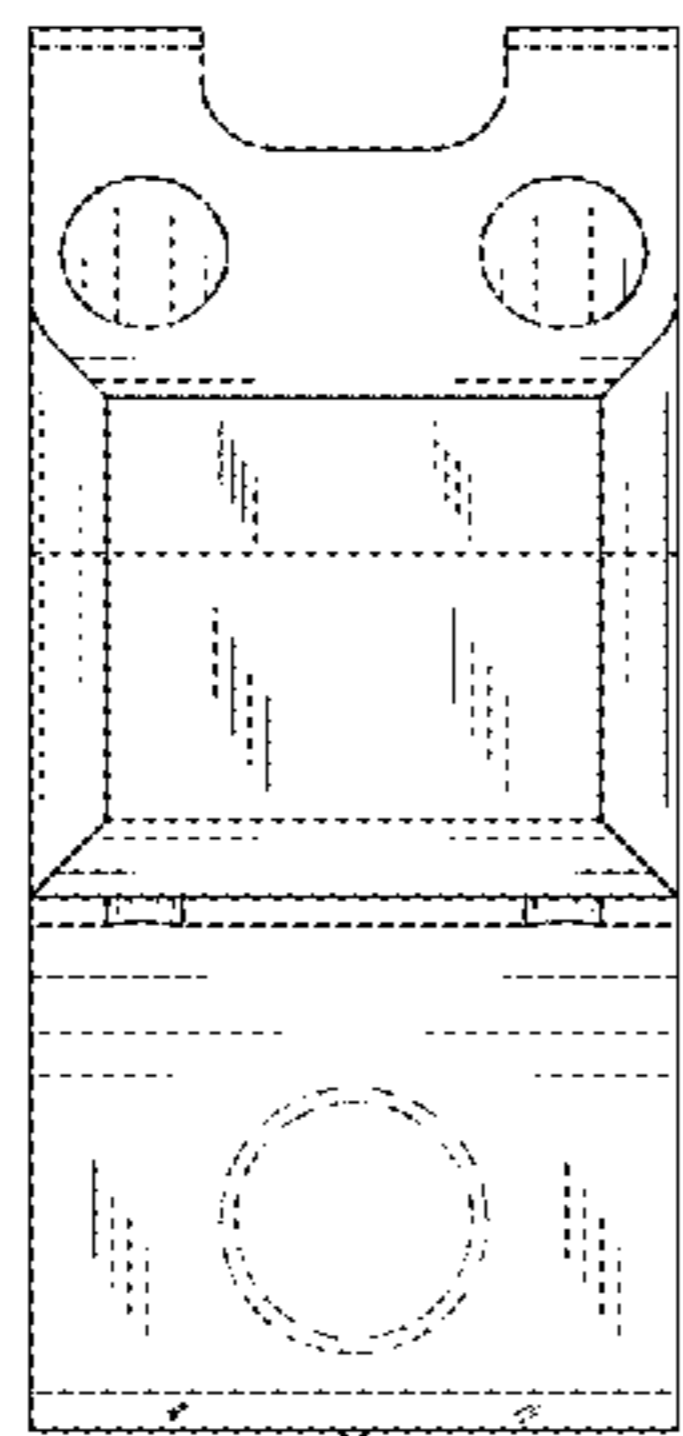


FIG.5

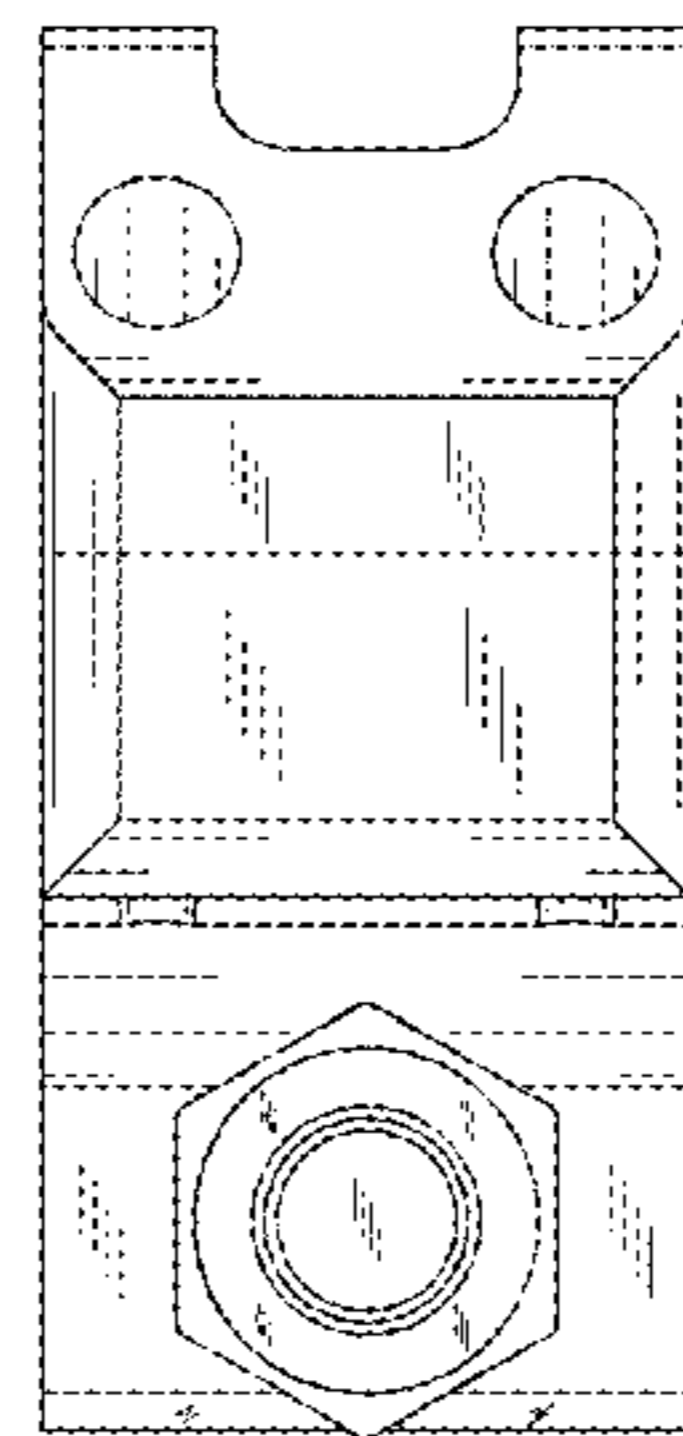


FIG.4

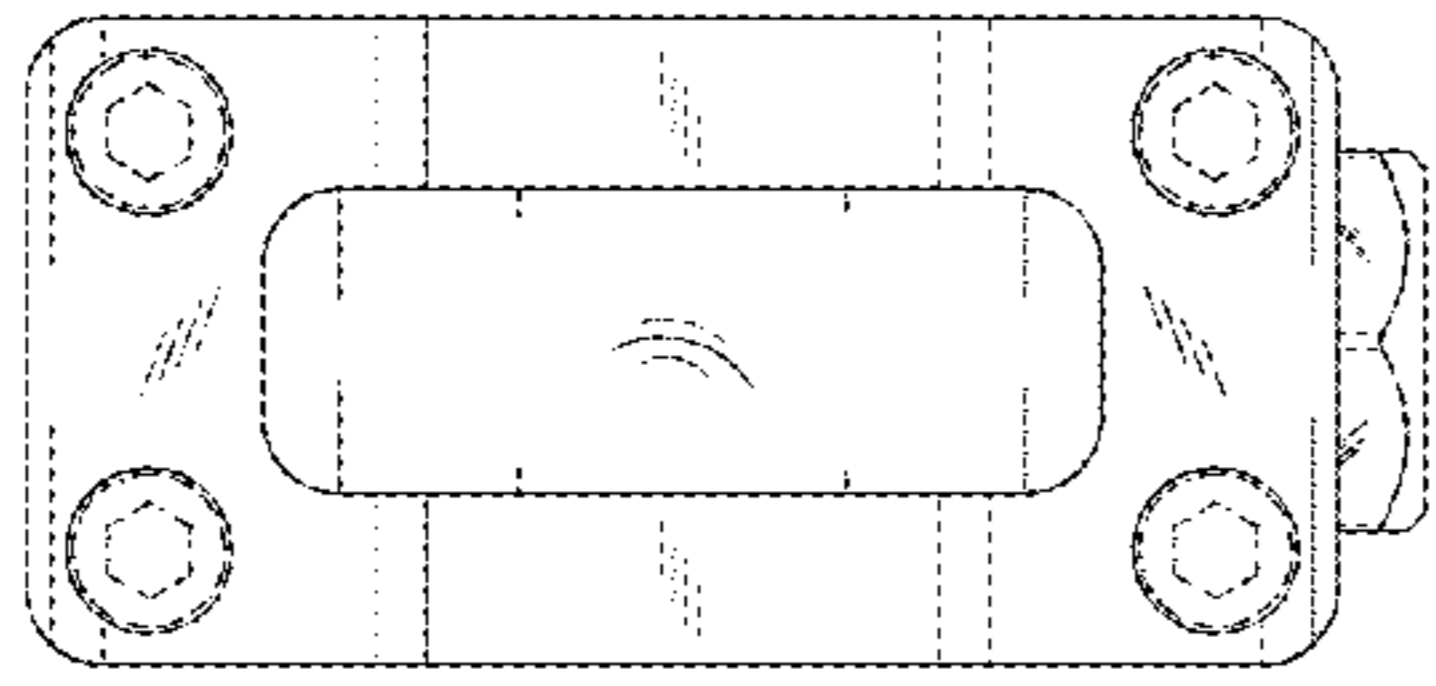


FIG.6

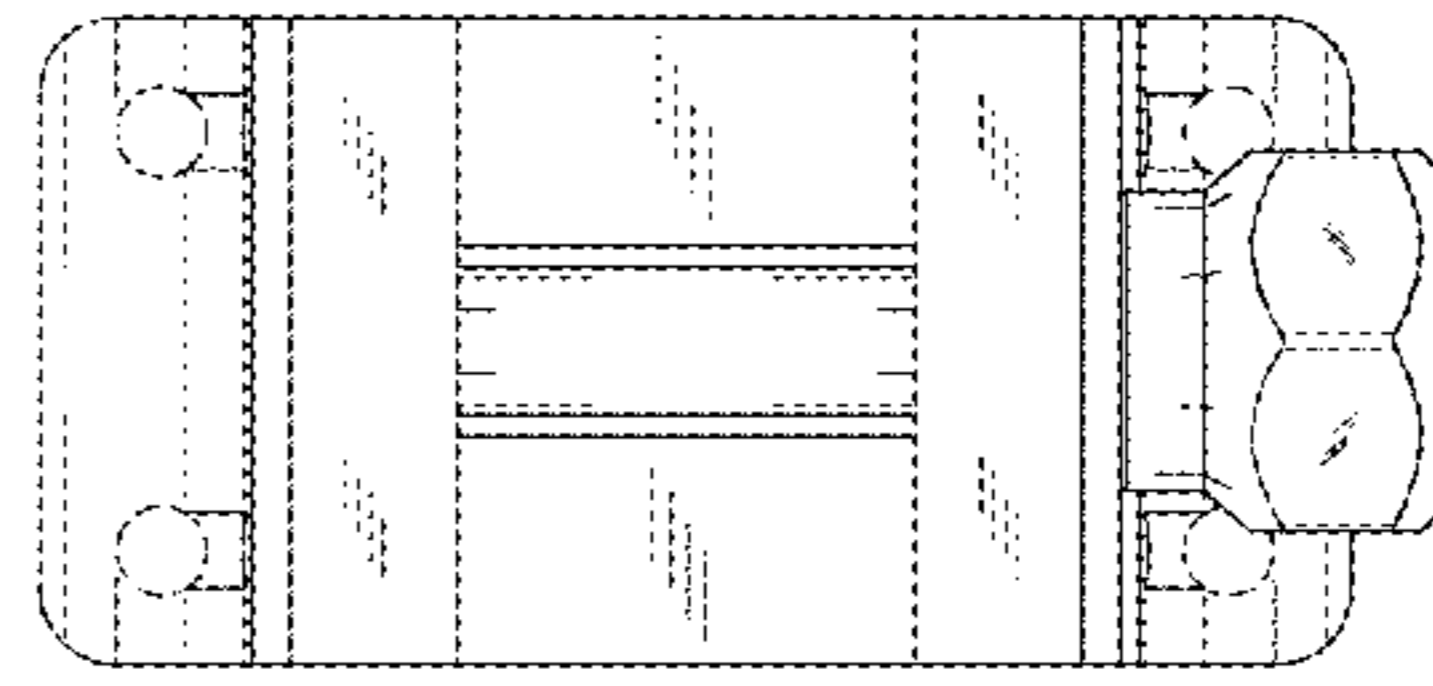


FIG.7

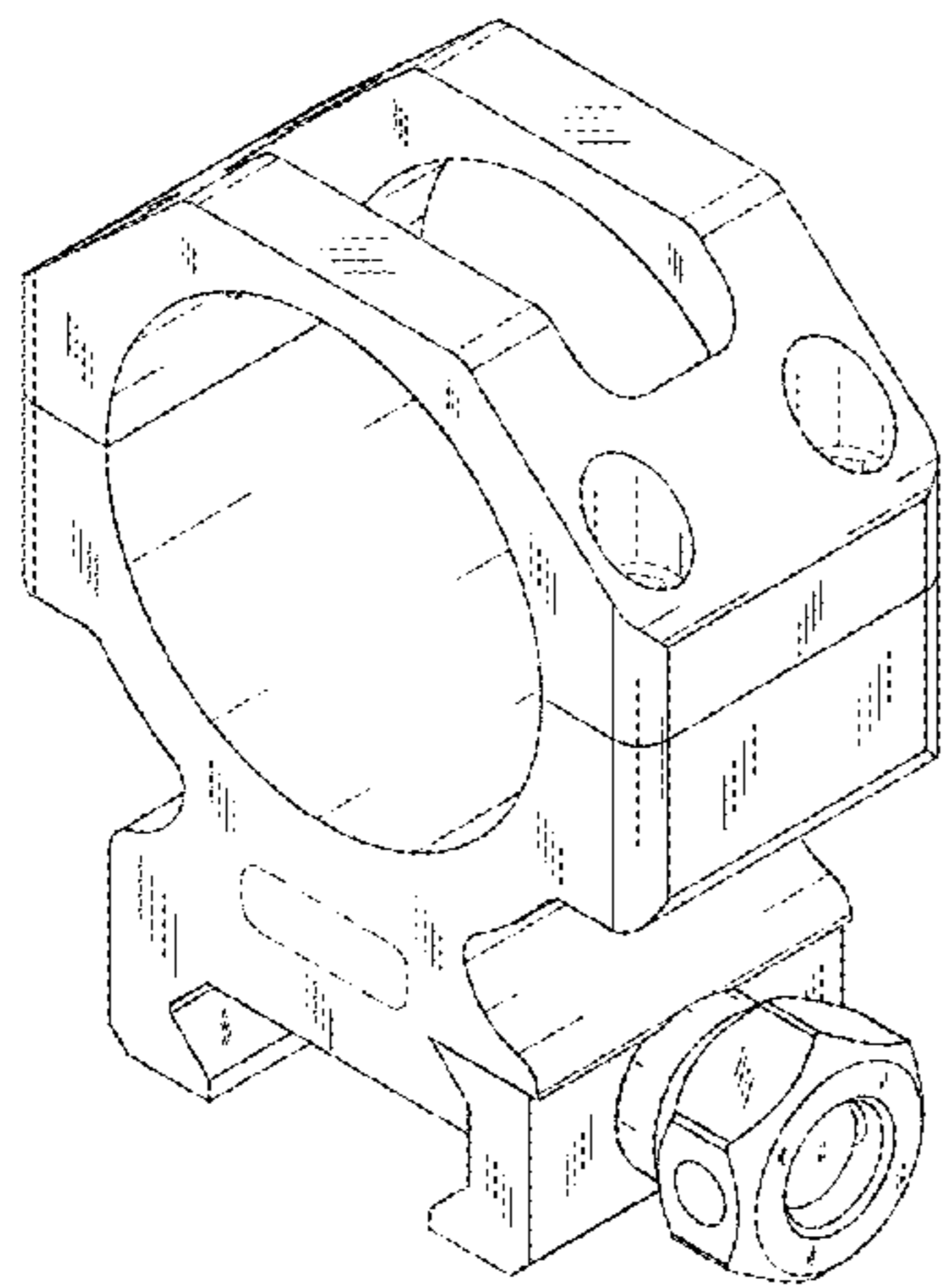


FIG. 9

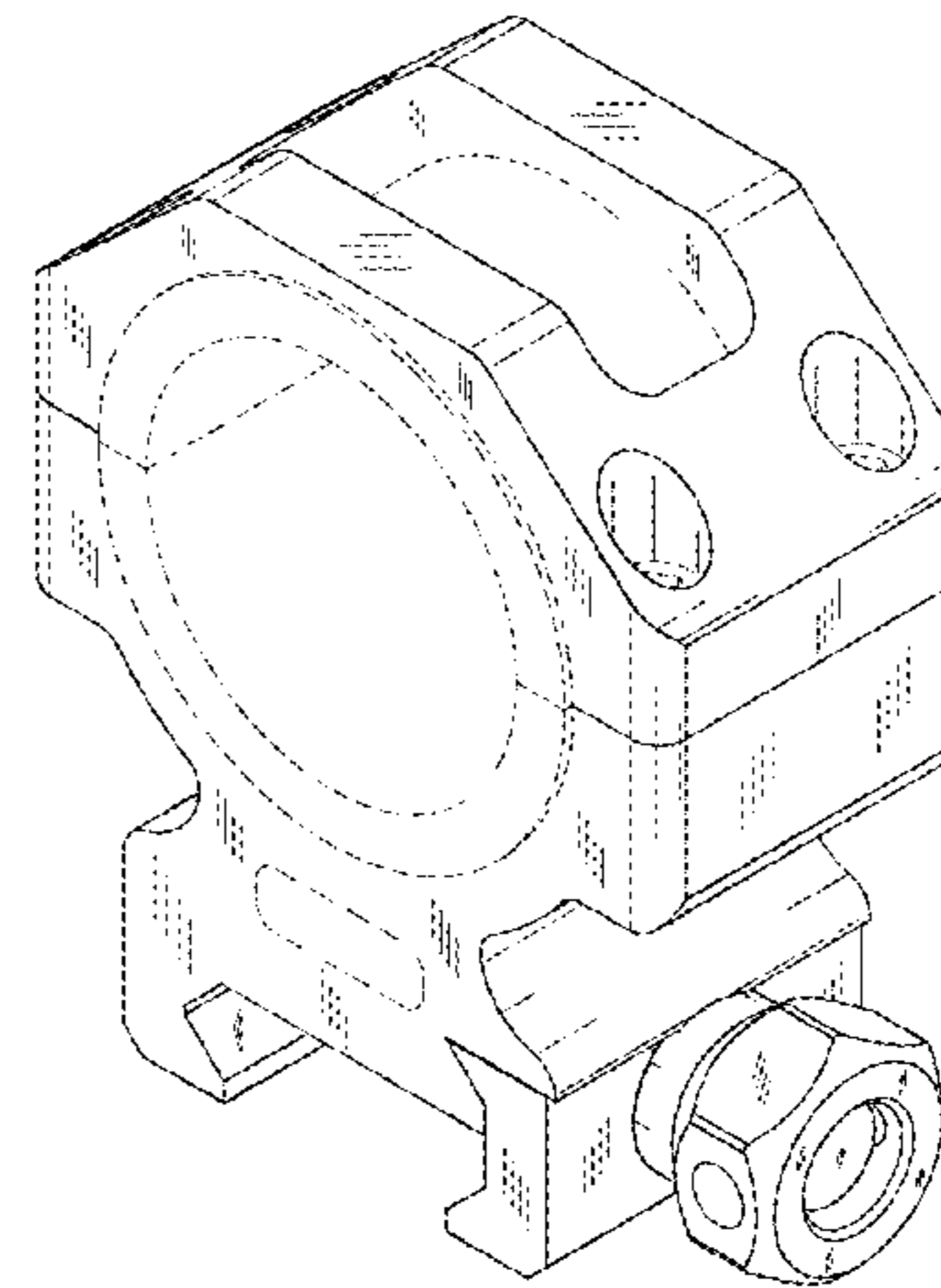


FIG. 16

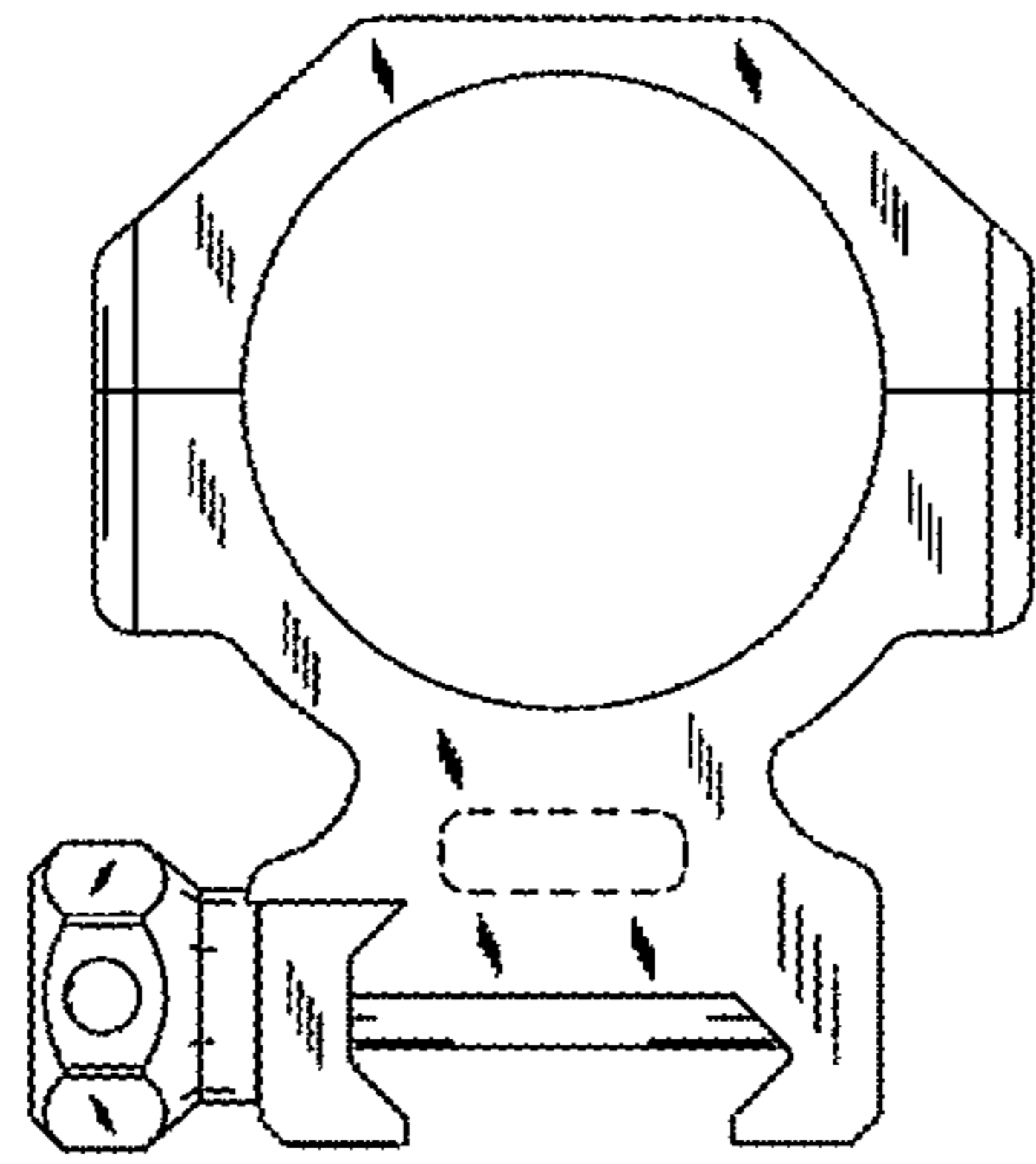


FIG.11

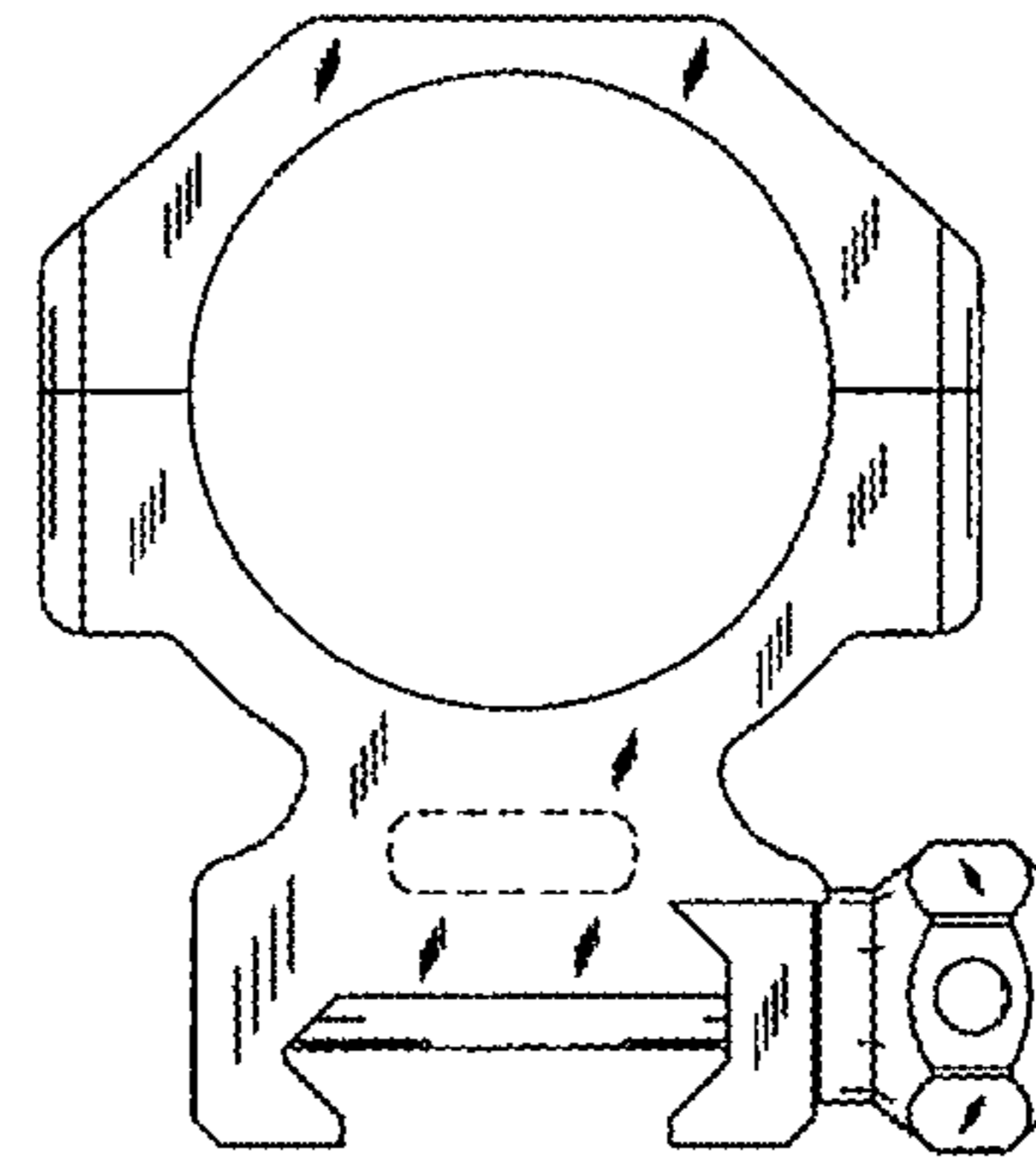


FIG.10



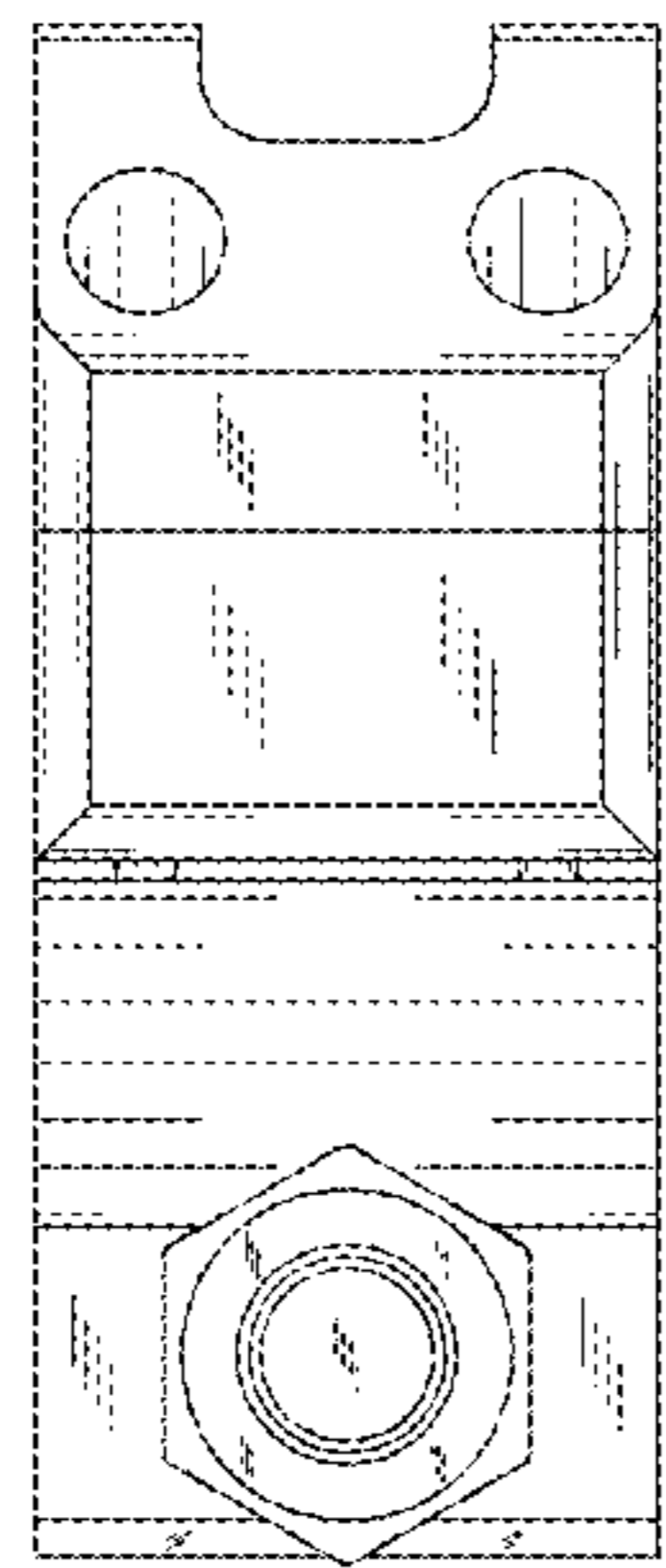


FIG. 12

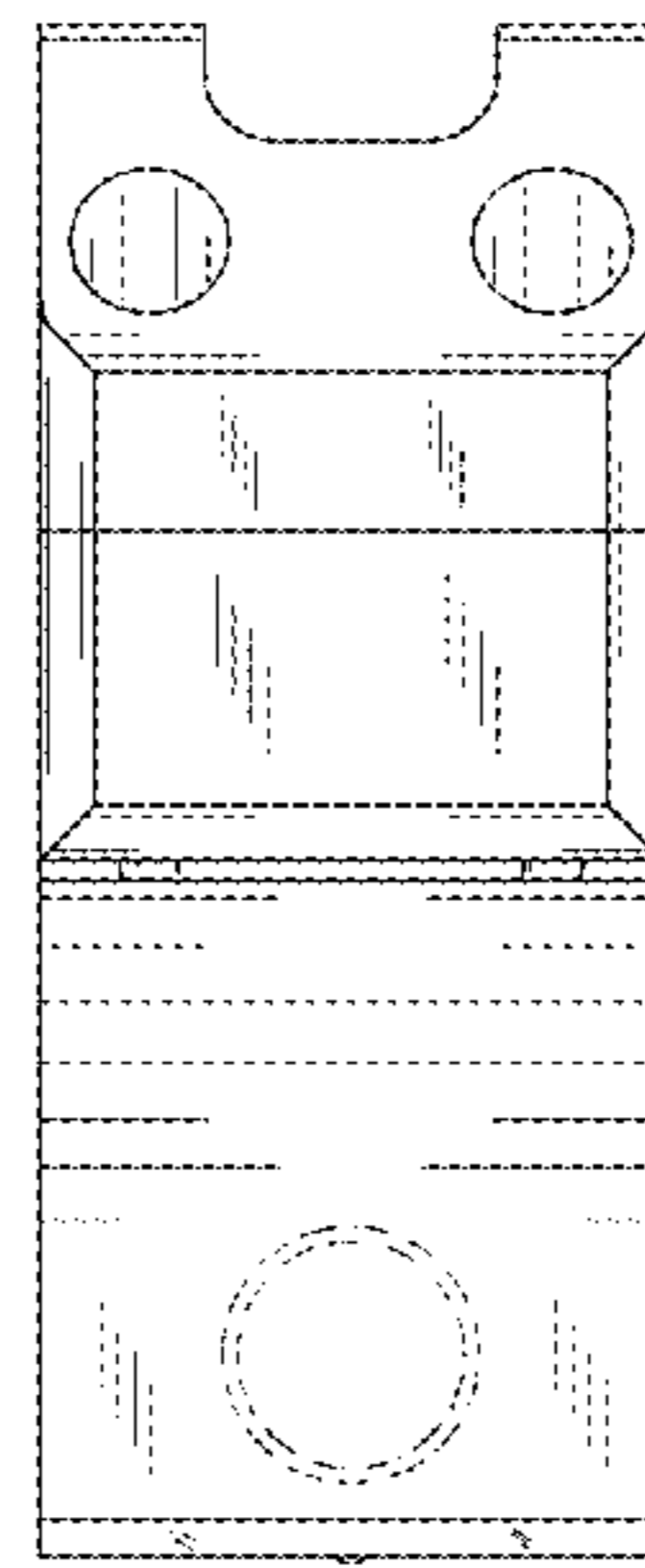


FIG. 13

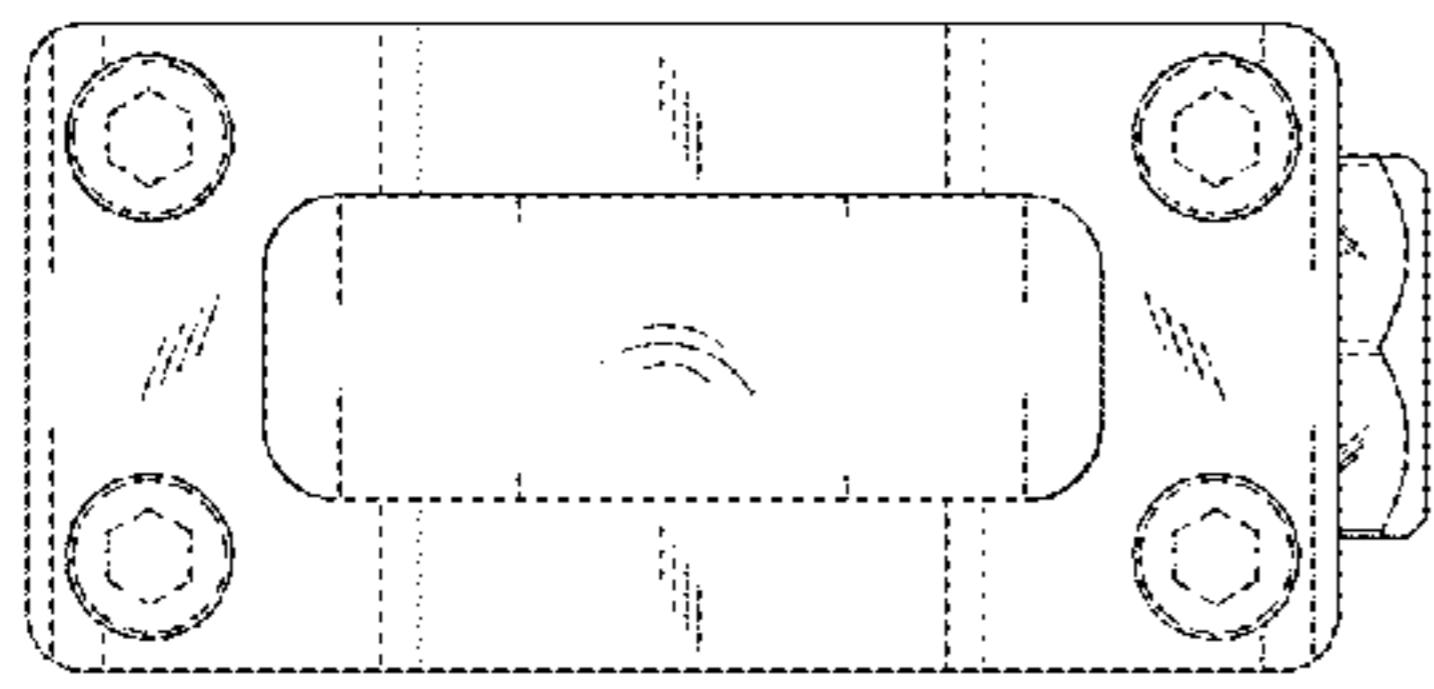


FIG. 14

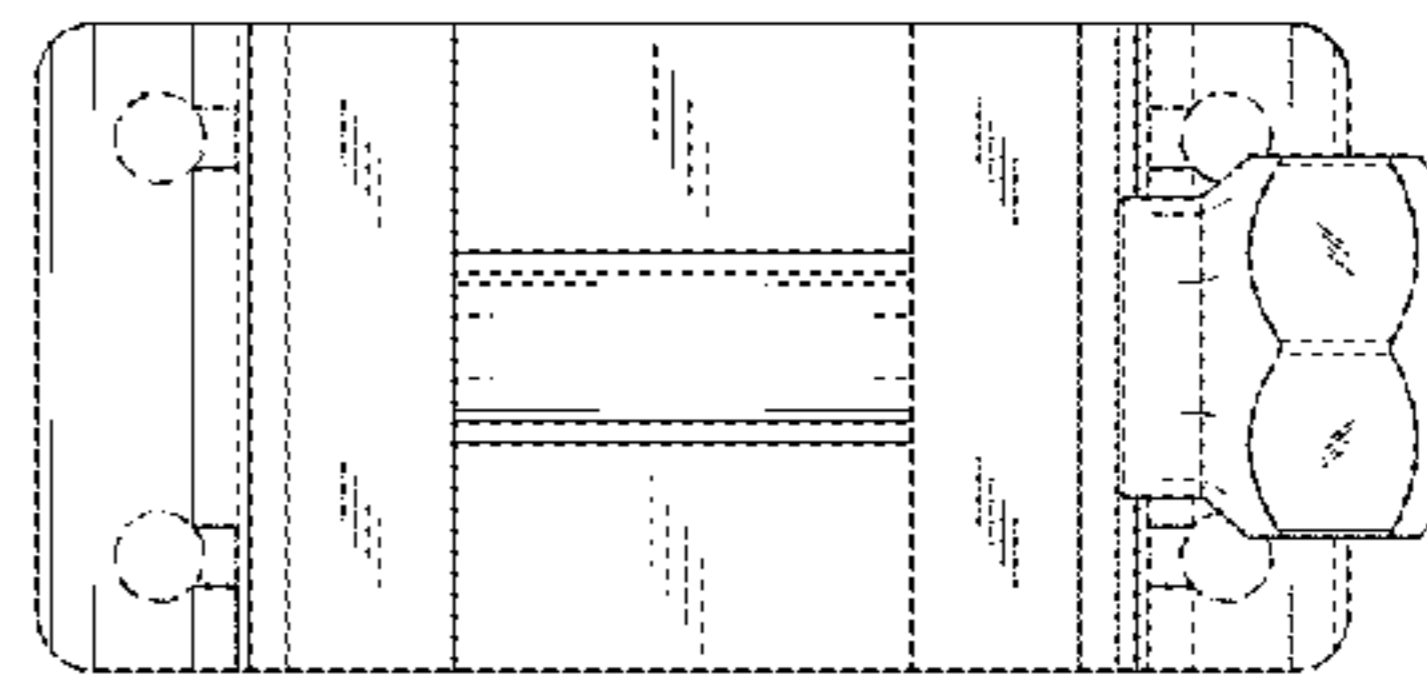


FIG. 15

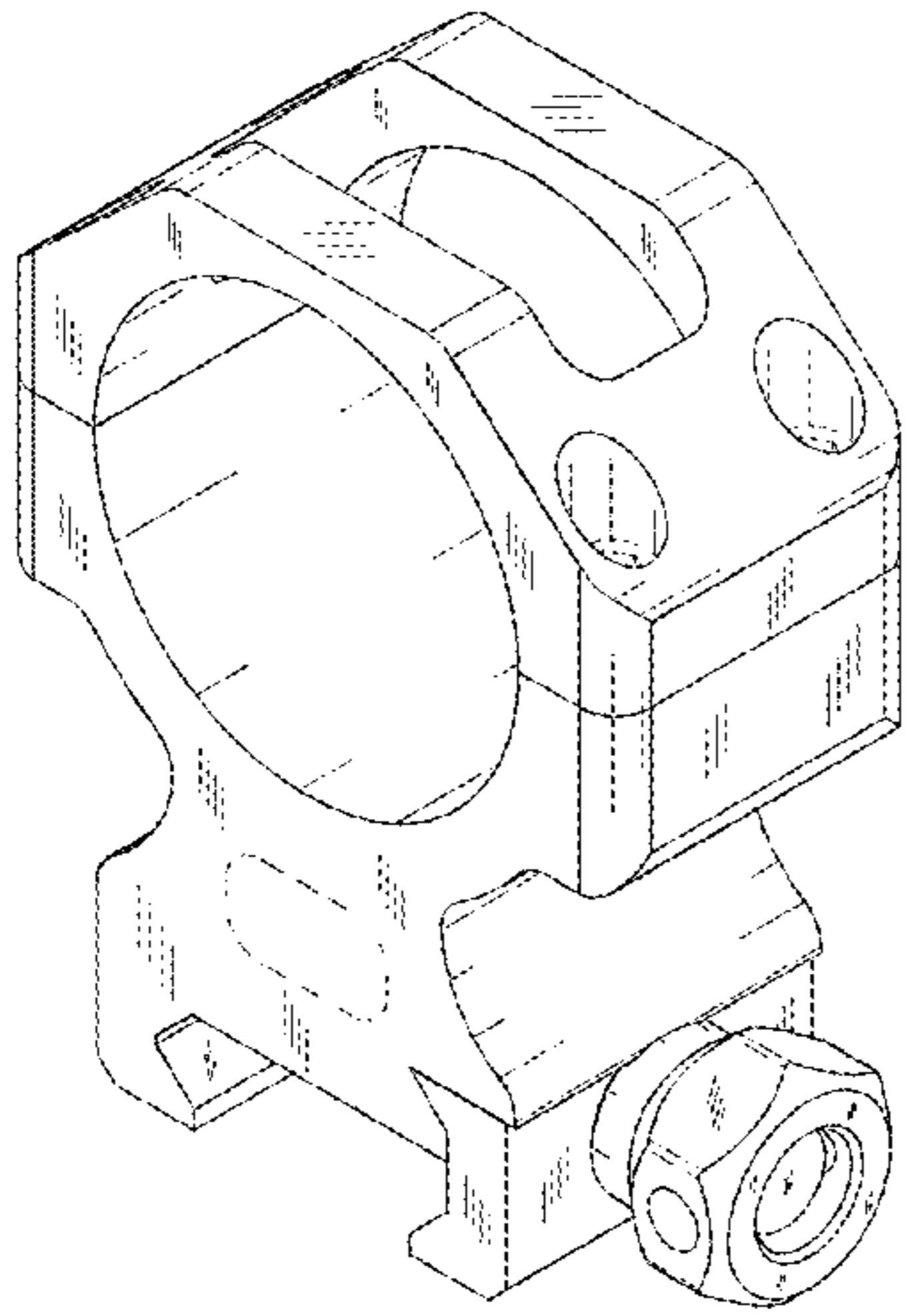


FIG.17

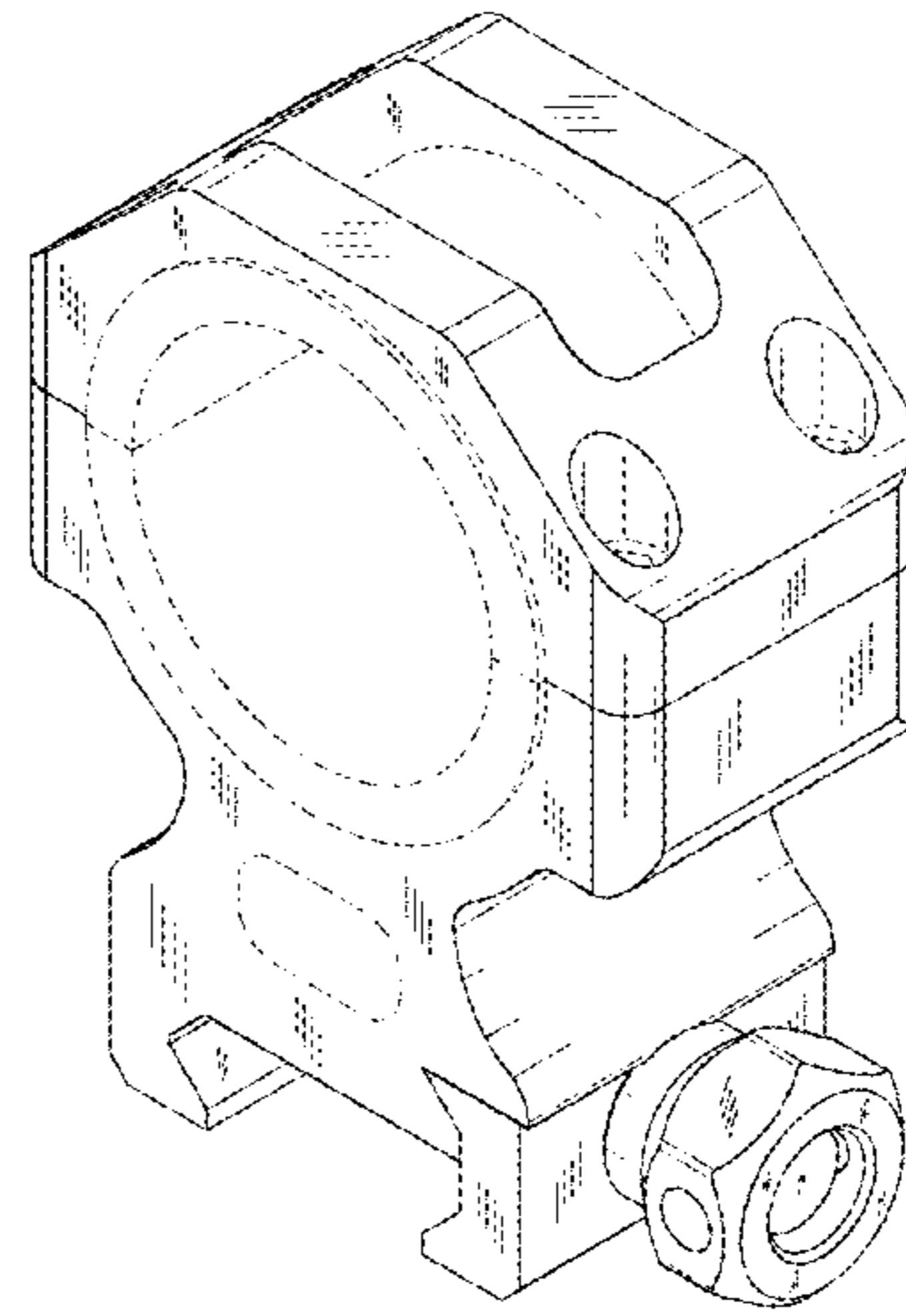


FIG.24

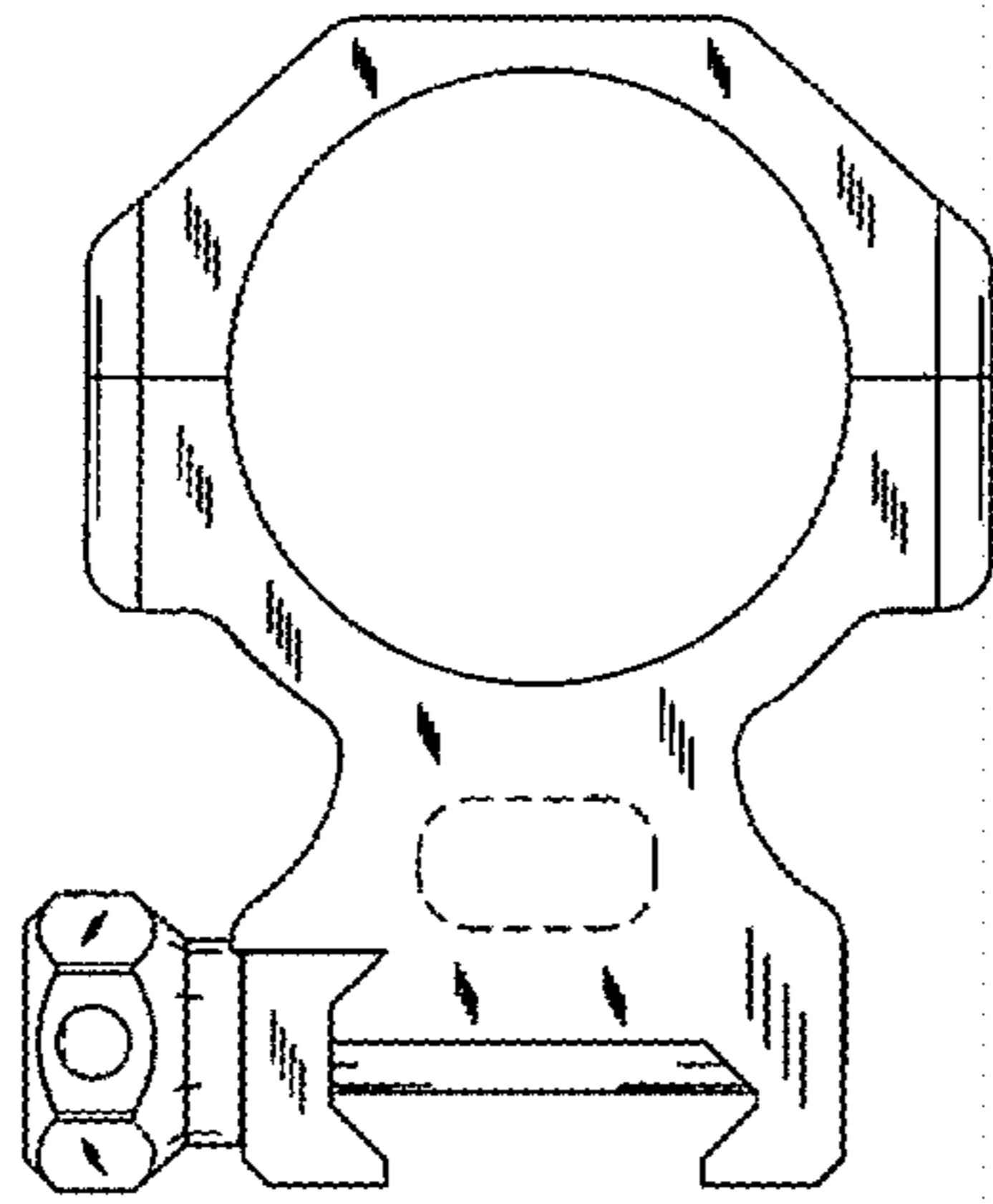


FIG. 19

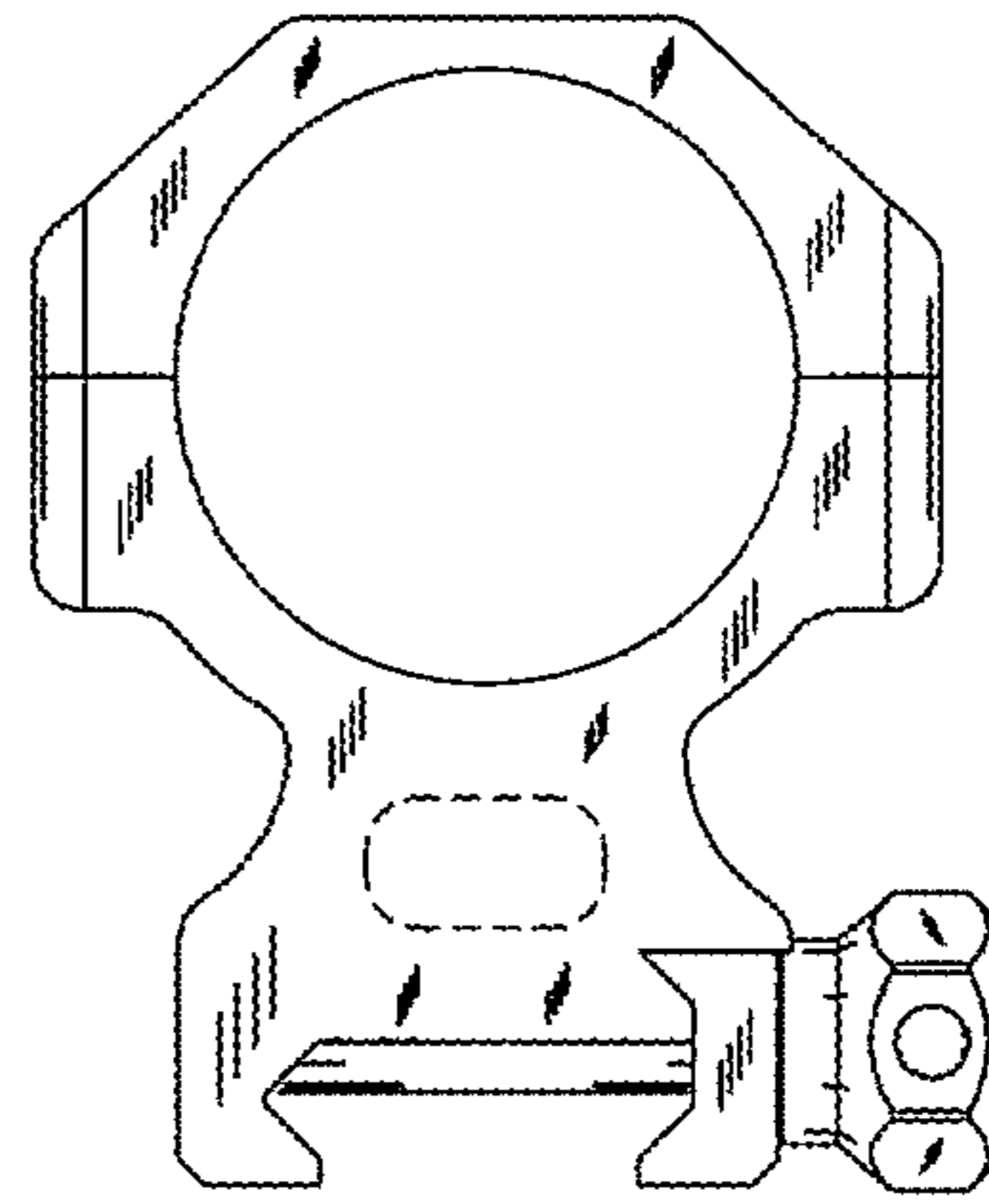


FIG. 18

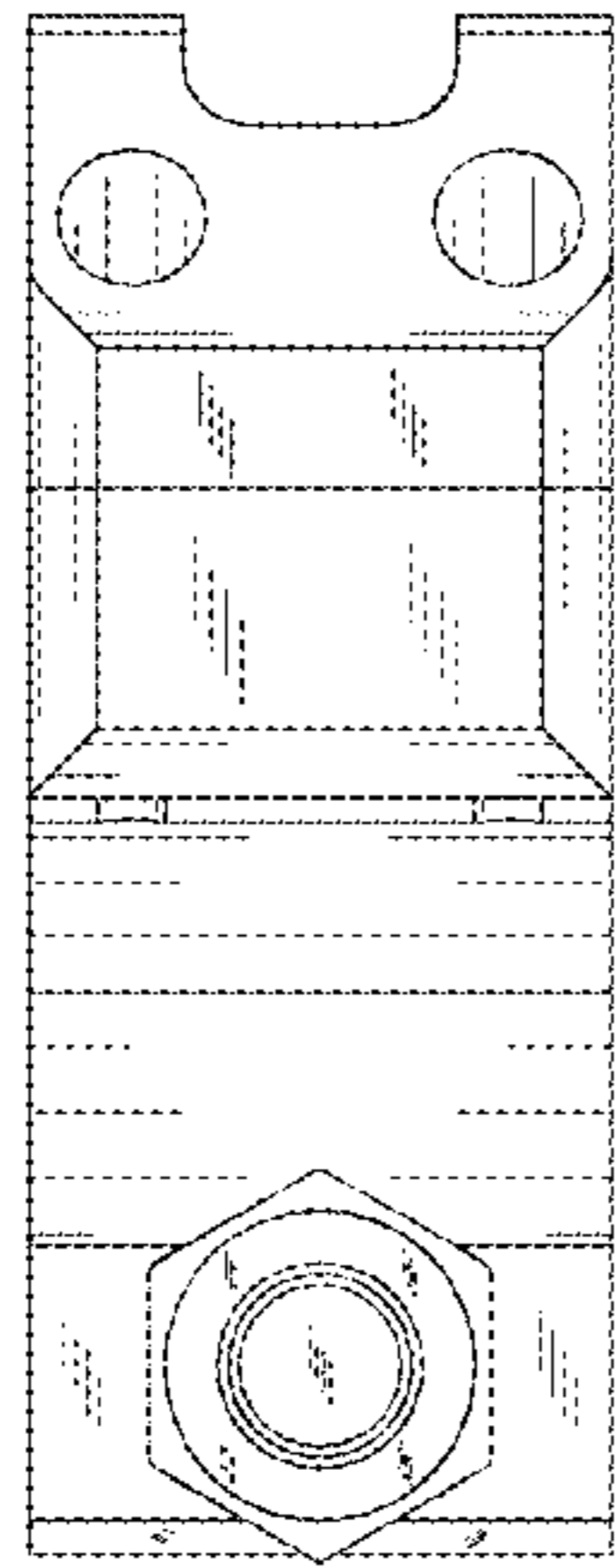


FIG.20

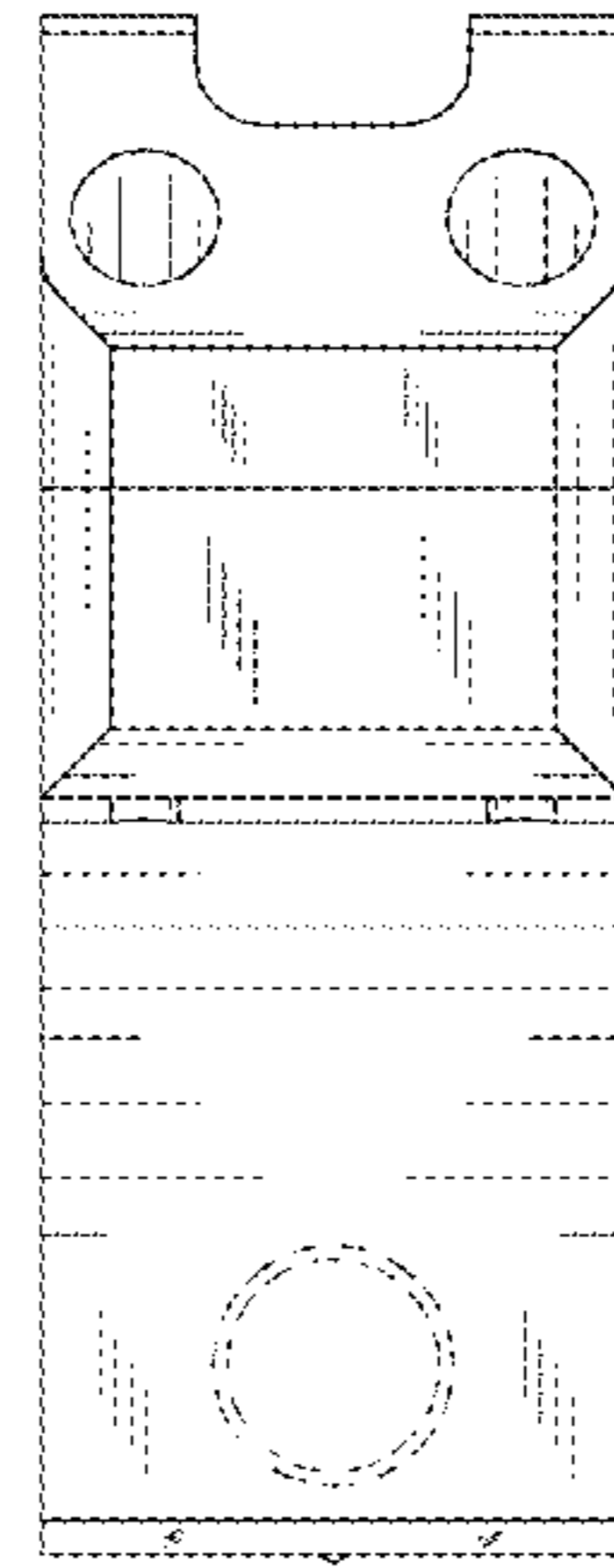


FIG.21

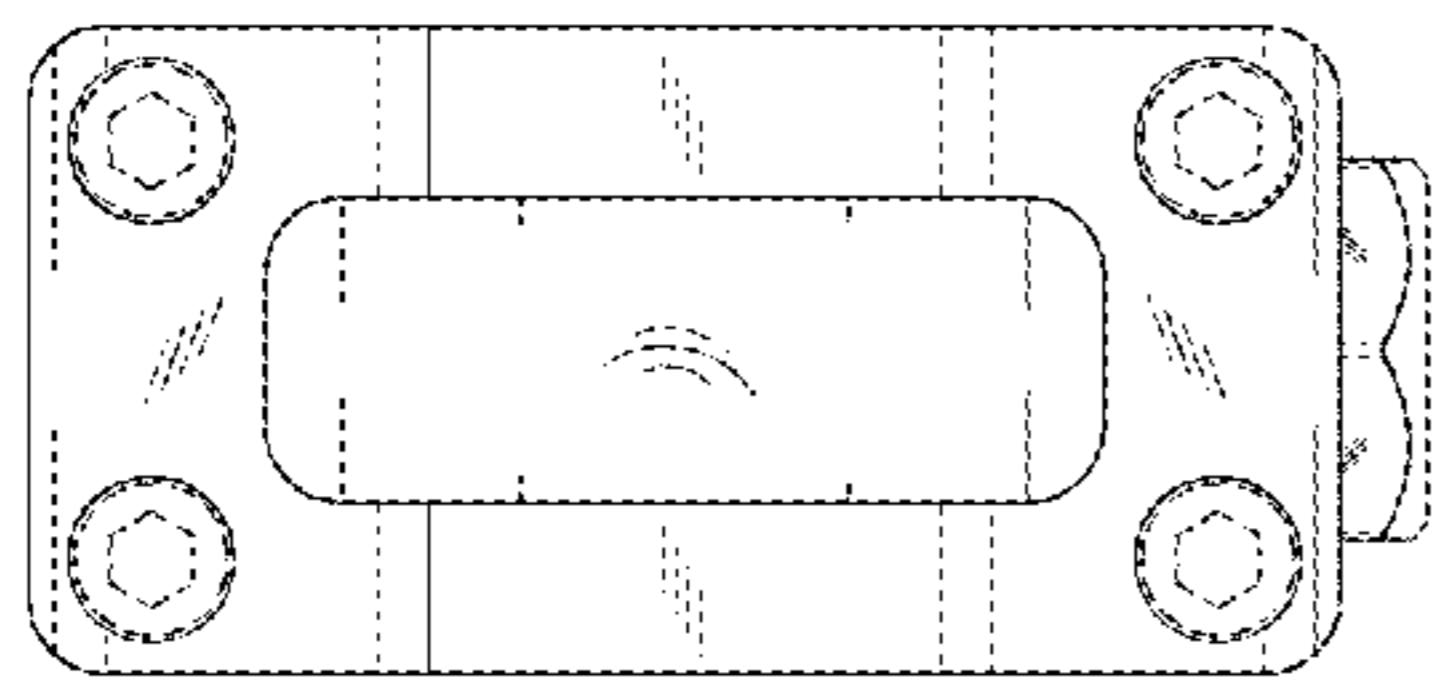


FIG.22

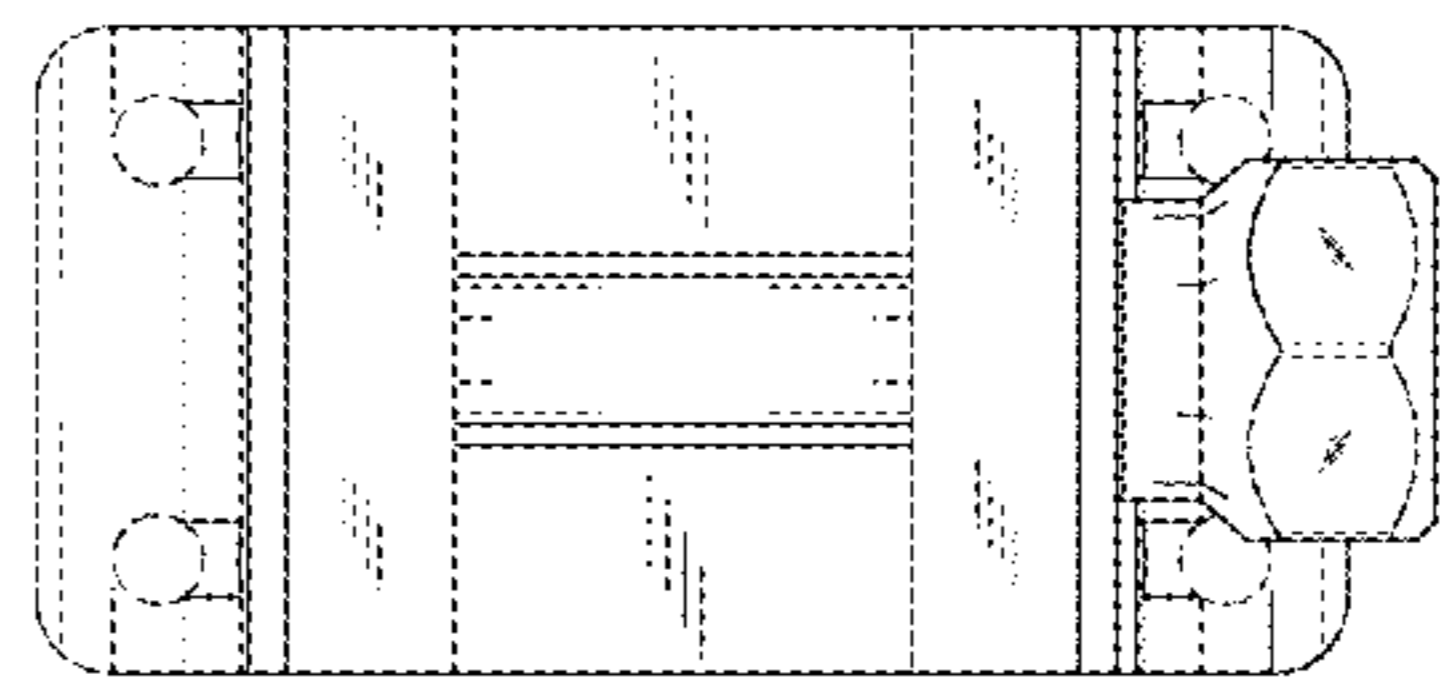


FIG.23

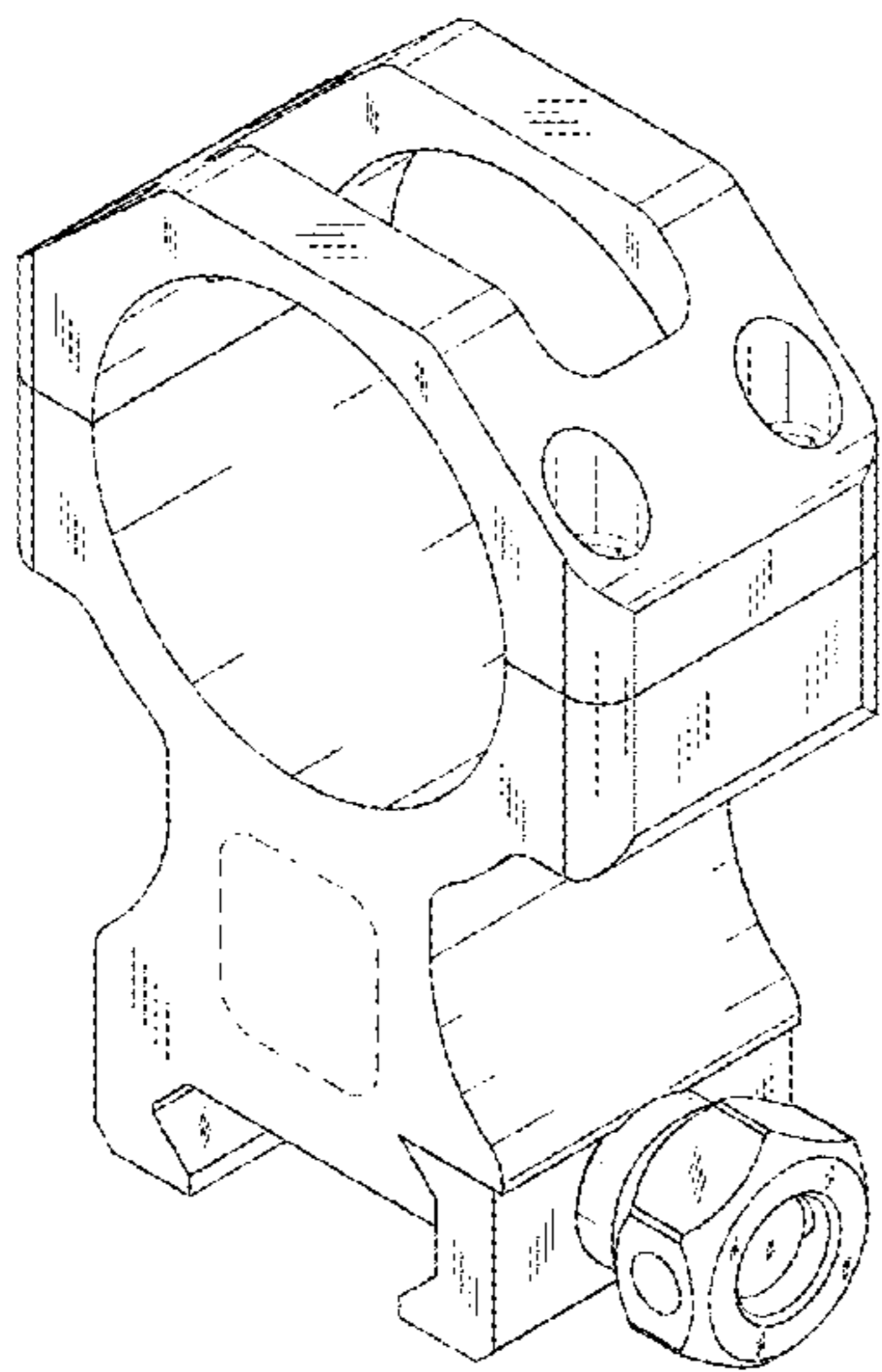


FIG.25

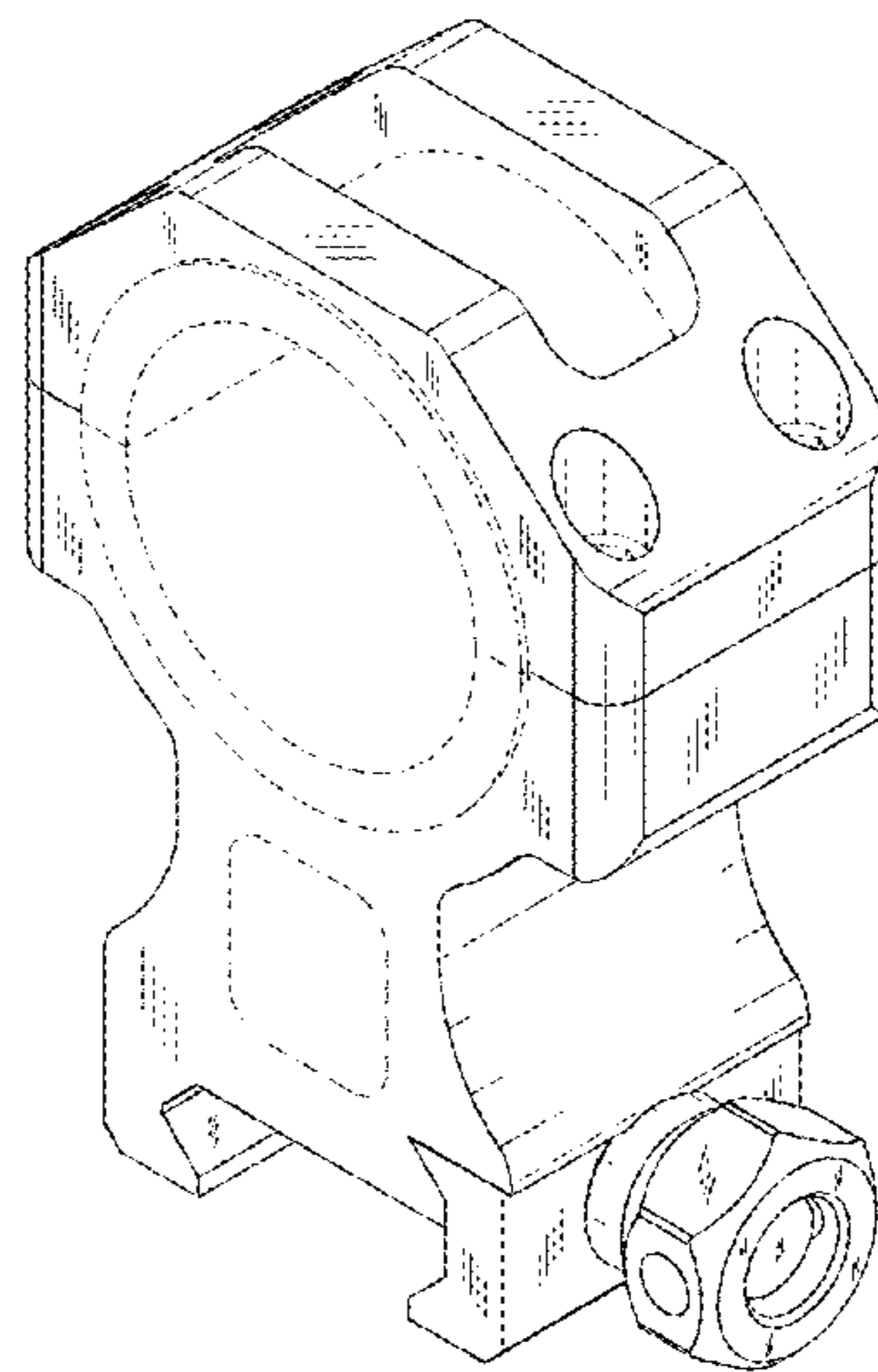


FIG.32

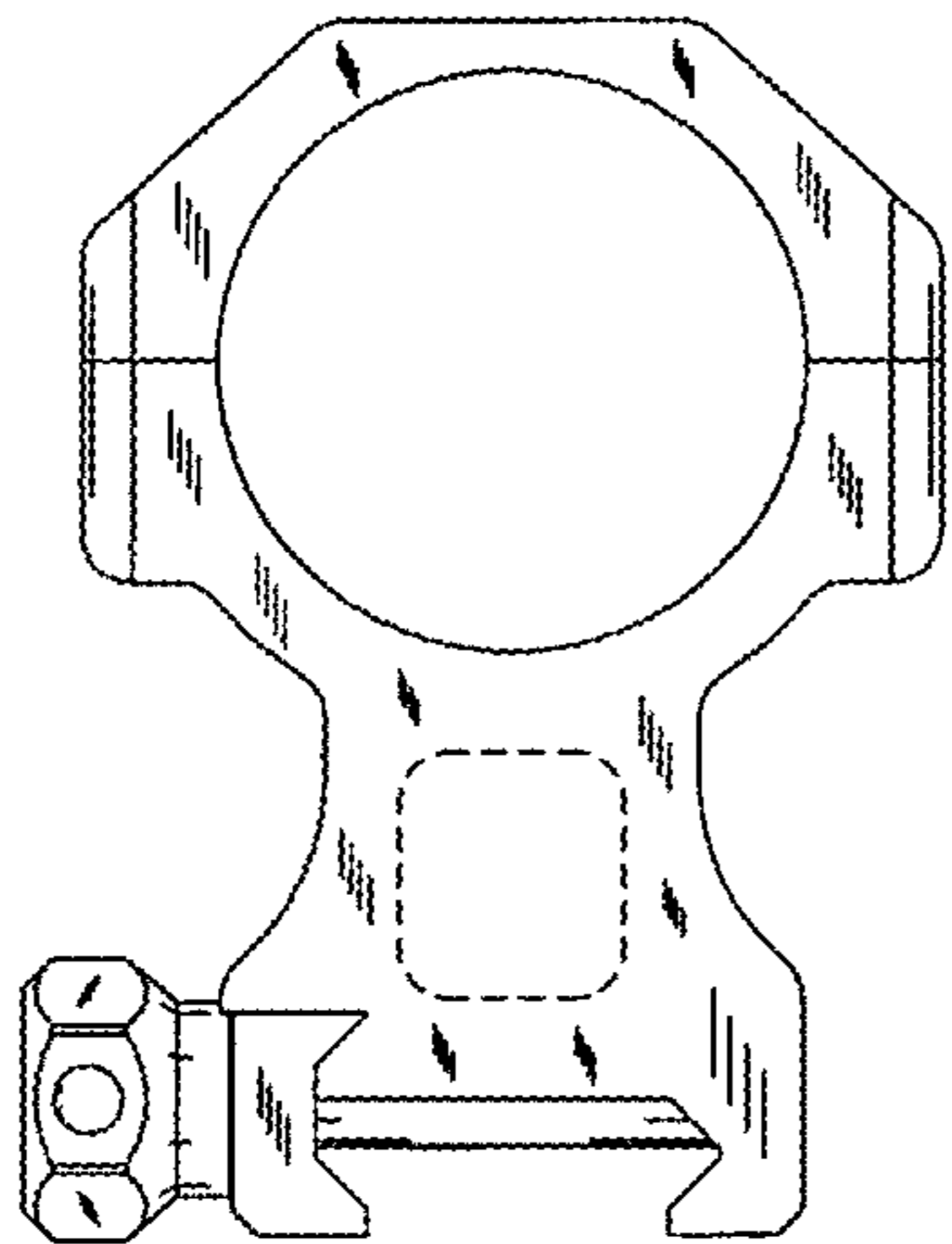


FIG.27

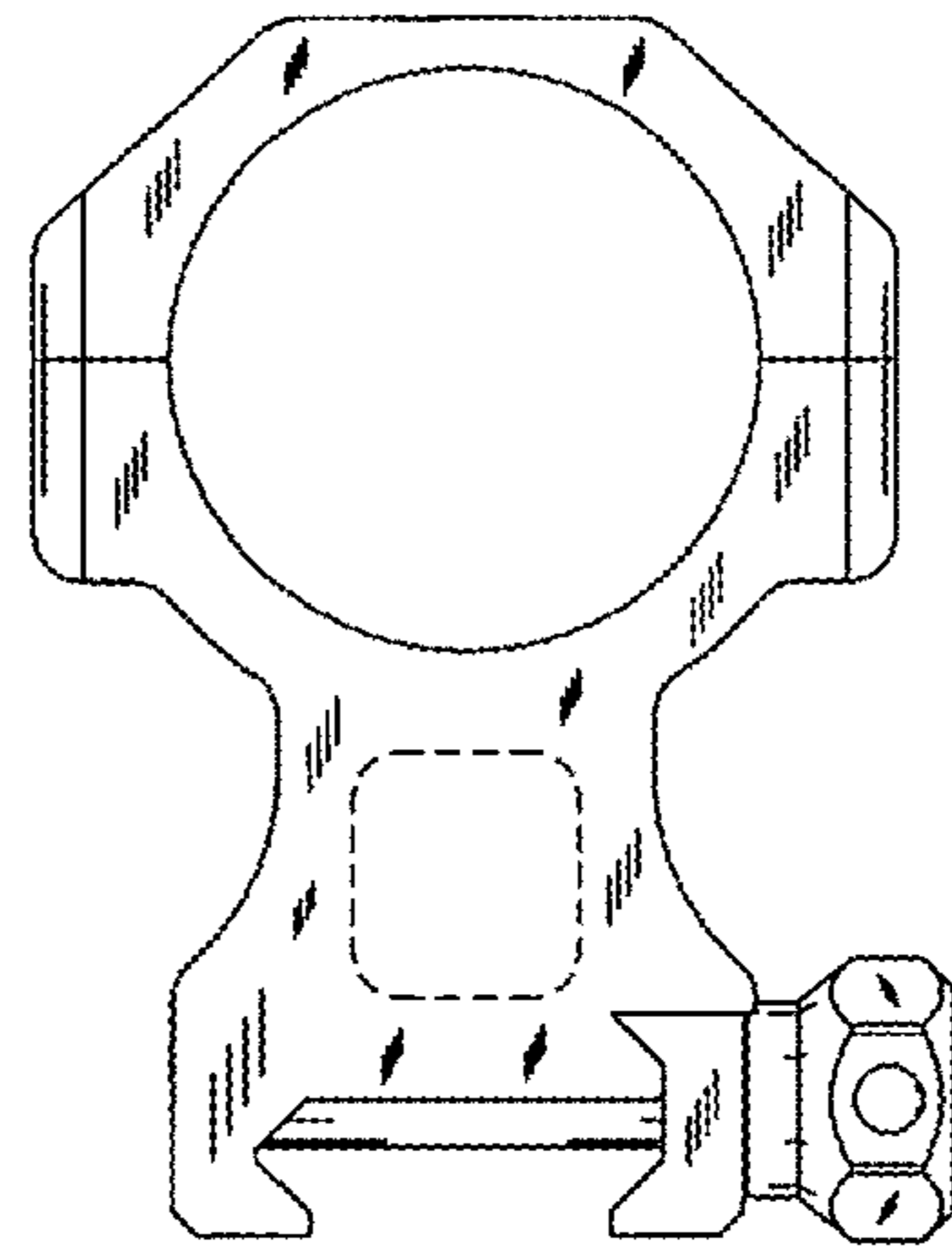


FIG.26



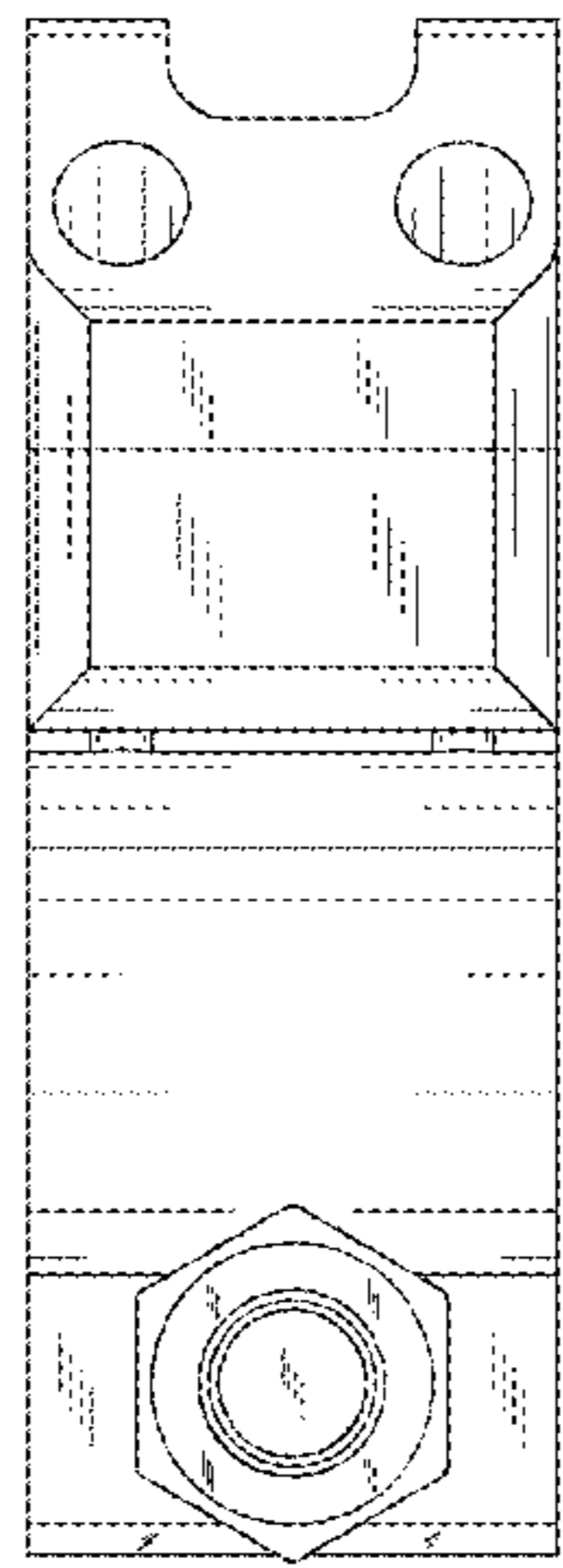


FIG.28

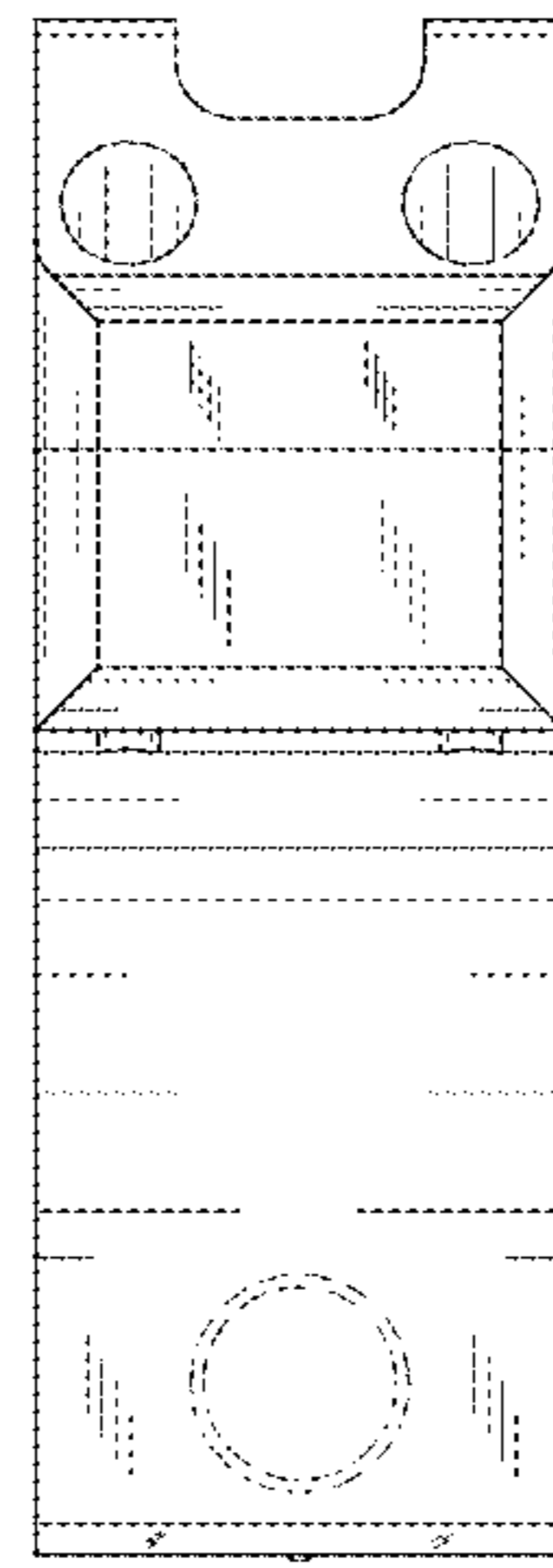


FIG.29

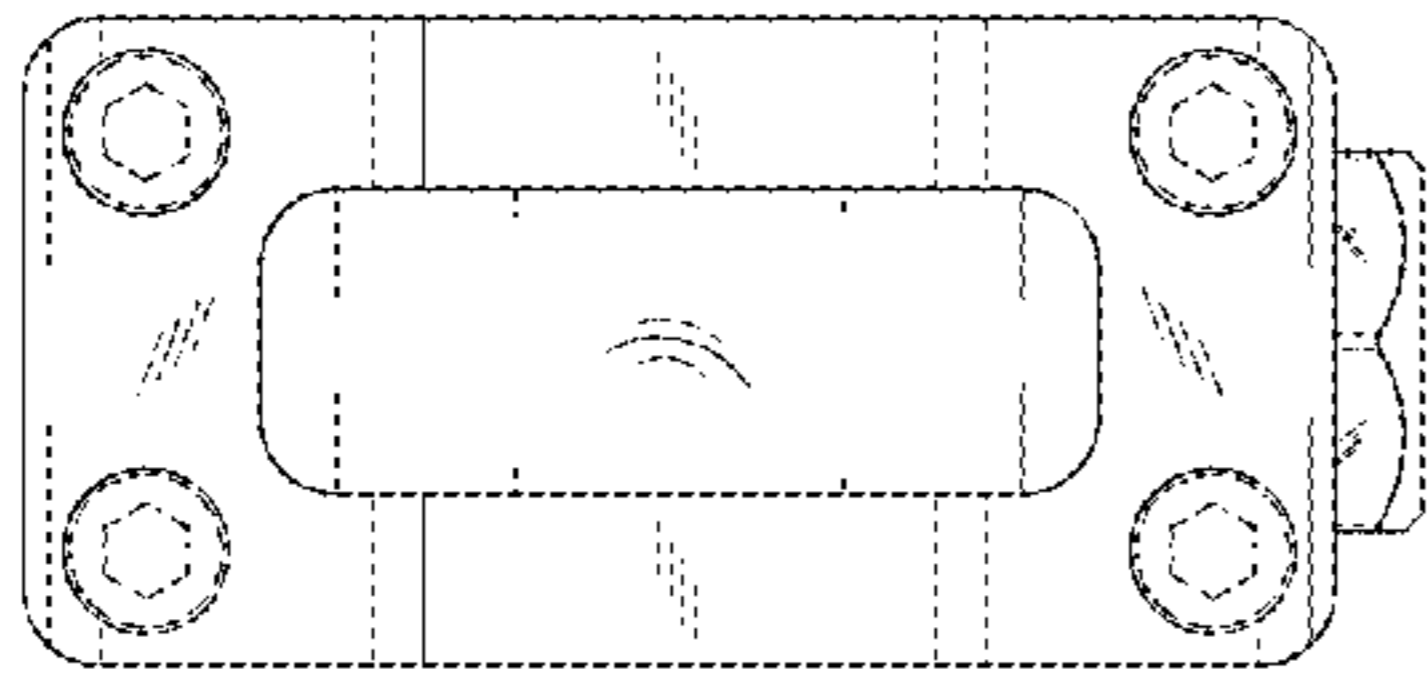


FIG.30

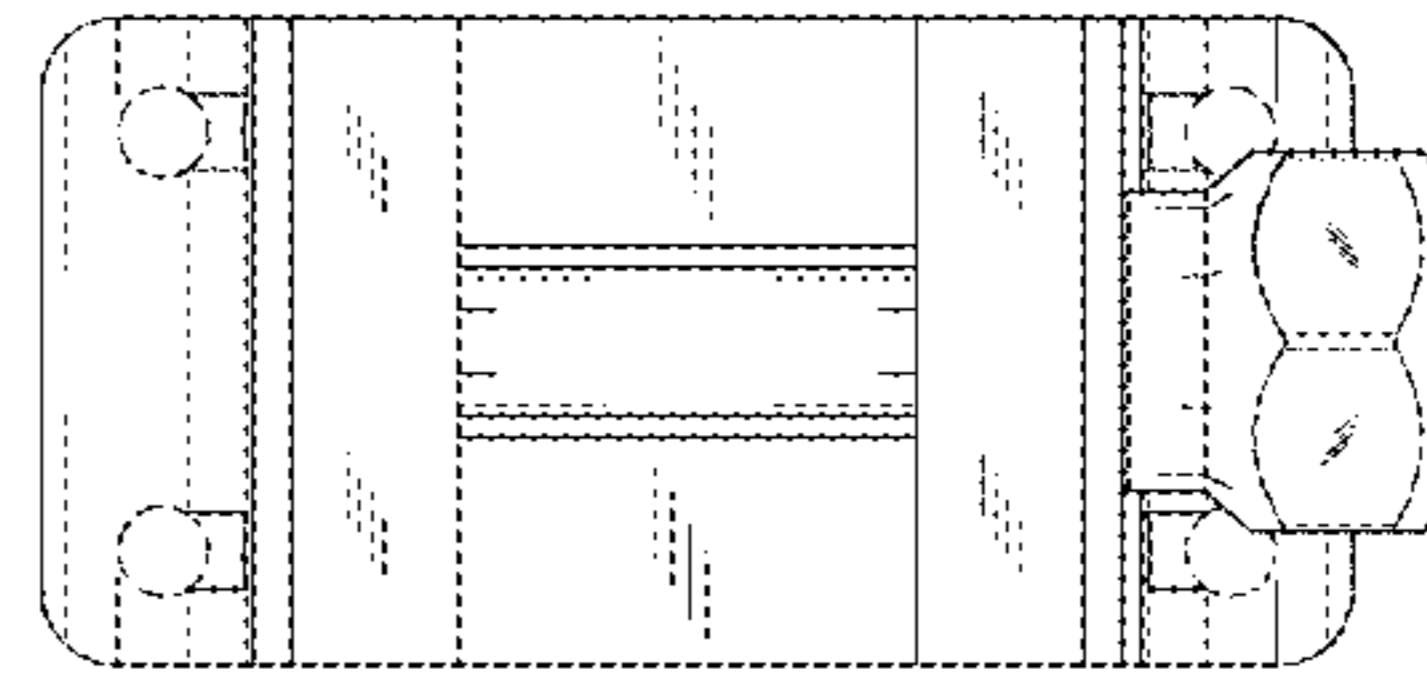


FIG.31