

US00D826358S

(12) **United States Design Patent**
Warren

(10) **Patent No.:** **US D826,358 S**

(45) **Date of Patent:** **** Aug. 21, 2018**

(54) **SURF BOARD**

(71) Applicant: **William J. Warren**, Frisco, TX (US)

(72) Inventor: **William J. Warren**, Frisco, TX (US)

(**) Term: **15 Years**

(21) Appl. No.: **29/608,712**

(22) Filed: **Jun. 24, 2017**

(51) **LOC (11) Cl.** **21-02**

(52) **U.S. Cl.**

USPC **D21/807**

(58) **Field of Classification Search**

USPC D21/597, 599, 646, 769, 770, 771, 778,
D21/792, 801, 803, 804, 805, 806, 807,
D21/808, 810, 814, 818, 819

CPC A41D 13/0518; A63B 2208/03; A63B
2225/605; A63B 31/00; A63B 31/10;
A63B 69/14; A63B 31/11; B63B 21/66;
B63C 11/02

See application file for complete search history.

(56) **References Cited**

U.S. PATENT DOCUMENTS

183,045	A *	10/1876	Dunlop	A63B 31/04 2/20
1,062,587	A *	5/1913	Goersch	A63B 31/08 2/20
2,017,463	A *	10/1935	Komadina	A63B 31/14 441/58
2,745,119	A *	5/1956	Whipple	A63B 31/08 441/56
3,417,415	A *	12/1968	Kozak	A43B 5/08 441/58
4,509,744	A *	4/1985	Beasley	A63B 31/08 441/58
D301,111	S *	5/1989	McDonnell	D12/11
D318,894	S *	8/1991	Harling	D21/807
D578,596	S *	10/2008	Hicks	D21/807
8,864,539	B1 *	10/2014	Watts	B63B 35/7906 441/56

D764,003	S *	8/2016	Chadwick	D21/807
D820,375	S	6/2018	Warren		
2013/0316883	A1 *	11/2013	Warren	A63B 21/00 482/139
2017/0232303	A1 *	8/2017	Chadwick	A63B 69/12 434/254

OTHER PUBLICATIONS

<http://www.podware.com.au/bodysurfing-handboards-handplanes/>—Retrieved on Jan. 2, 2018.*
<https://www.amazon.com/Thurso-Surf-Construction-Comfortable-Lightweight/dp/B07222THZN/>—Retrieved on Jan. 2, 2018.*

* cited by examiner

Primary Examiner — Manpreet S Matharu
Assistant Examiner — Mojtaba Tehrani
(74) *Attorney, Agent, or Firm* — Carr & Ferrell LLP

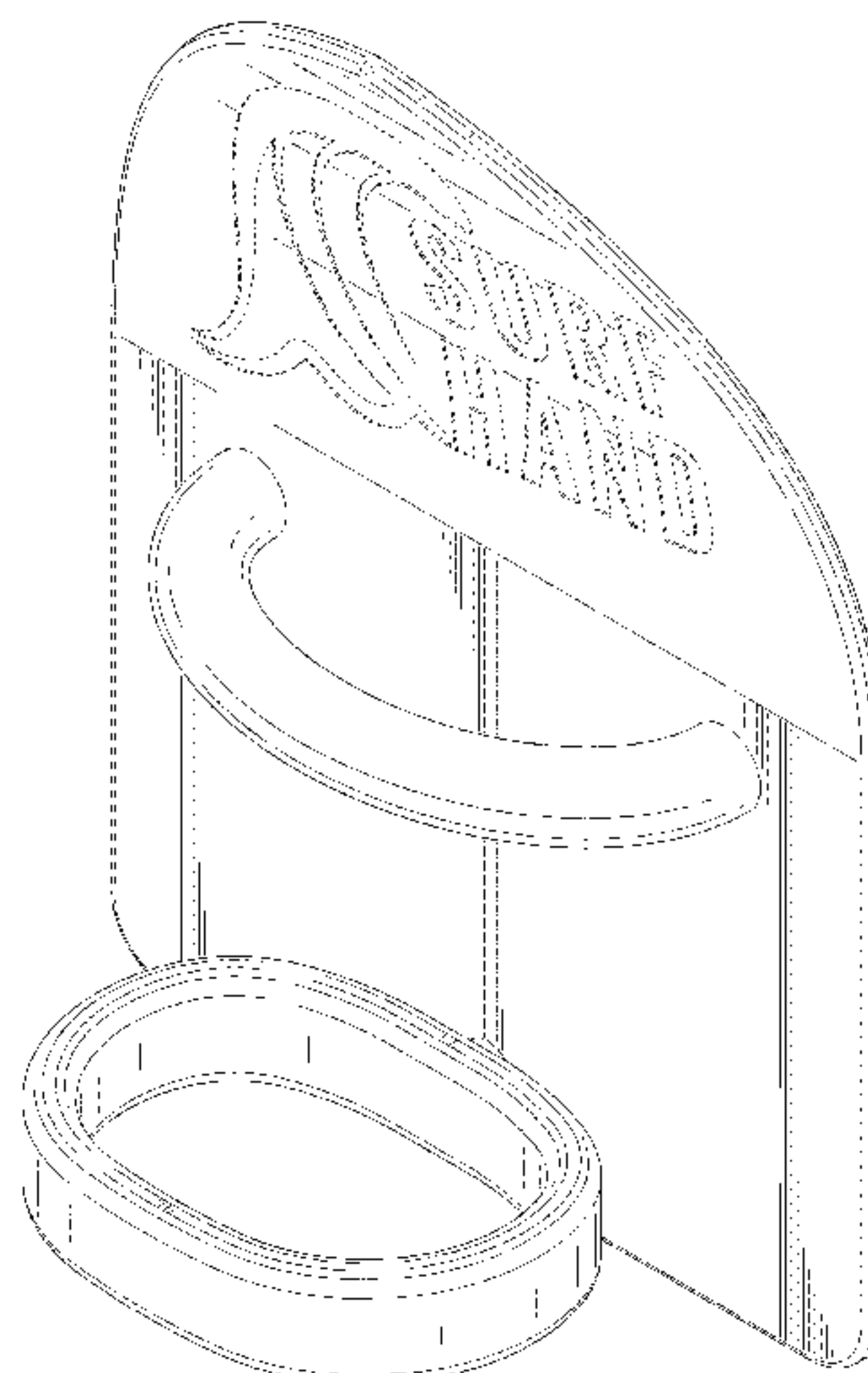
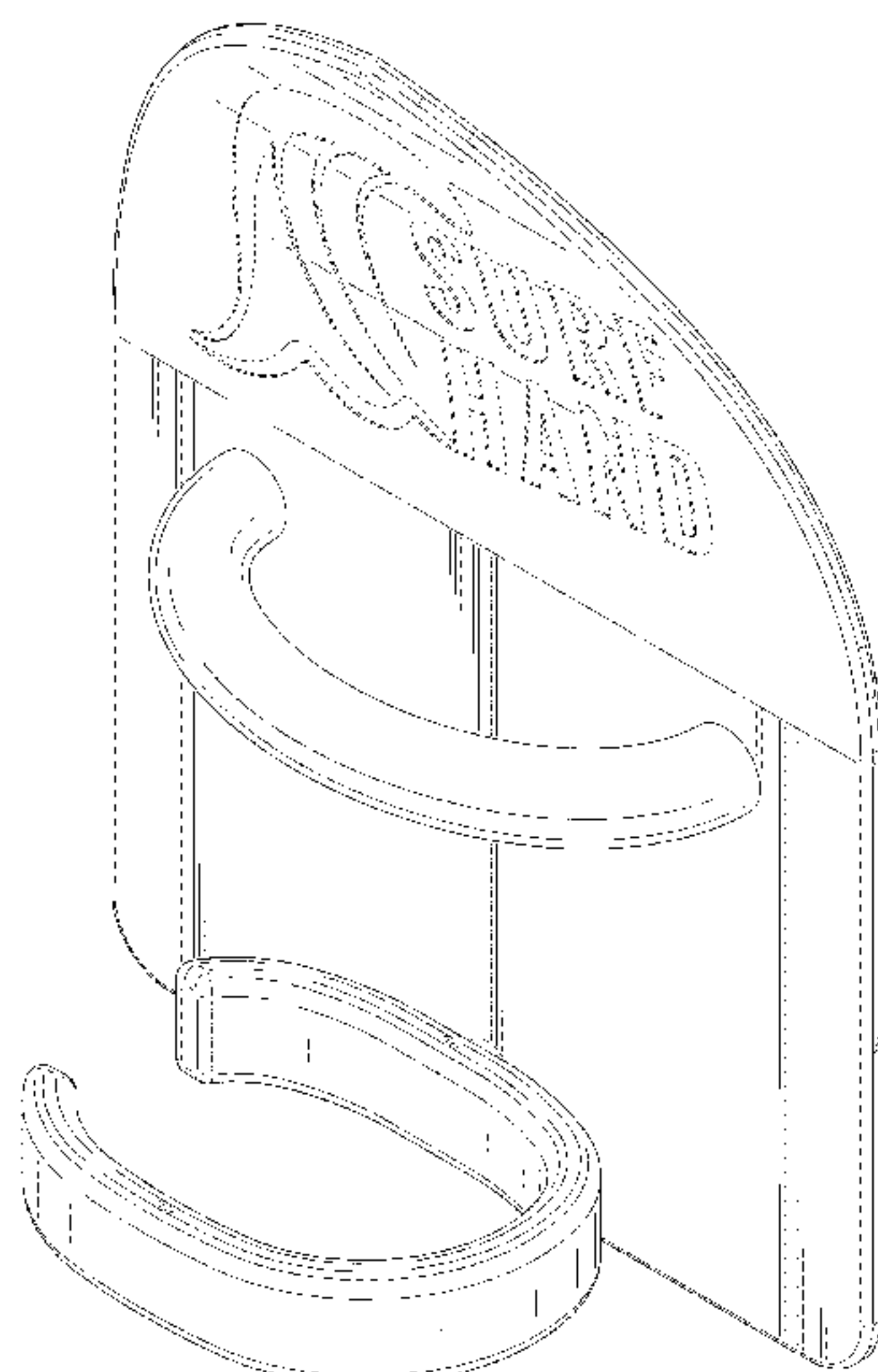
(57) **CLAIM**

The ornamental design for a surf board, as shown and described.

DESCRIPTION

FIG. 1 is a front perspective view of the first embodiment of a surf board showing my new design; FIG. 2 is a front elevation view thereof; FIG. 3 is a rear elevation view thereof; FIG. 4 is a right side view thereof; FIG. 5 is a left side view thereof; FIG. 6 is a top view thereof; FIG. 7 is a bottom view thereof; FIG. 8 is a front perspective view of the second embodiment of a surf board showing my new design; FIG. 9 is a front elevation view thereof; FIG. 10 is a rear elevation view thereof; FIG. 11 is a right side view thereof; FIG. 12 is a left side view thereof; FIG. 13 is a top view thereof; and, FIG. 14 is a bottom perspective view.

1 Claim, 10 Drawing Sheets



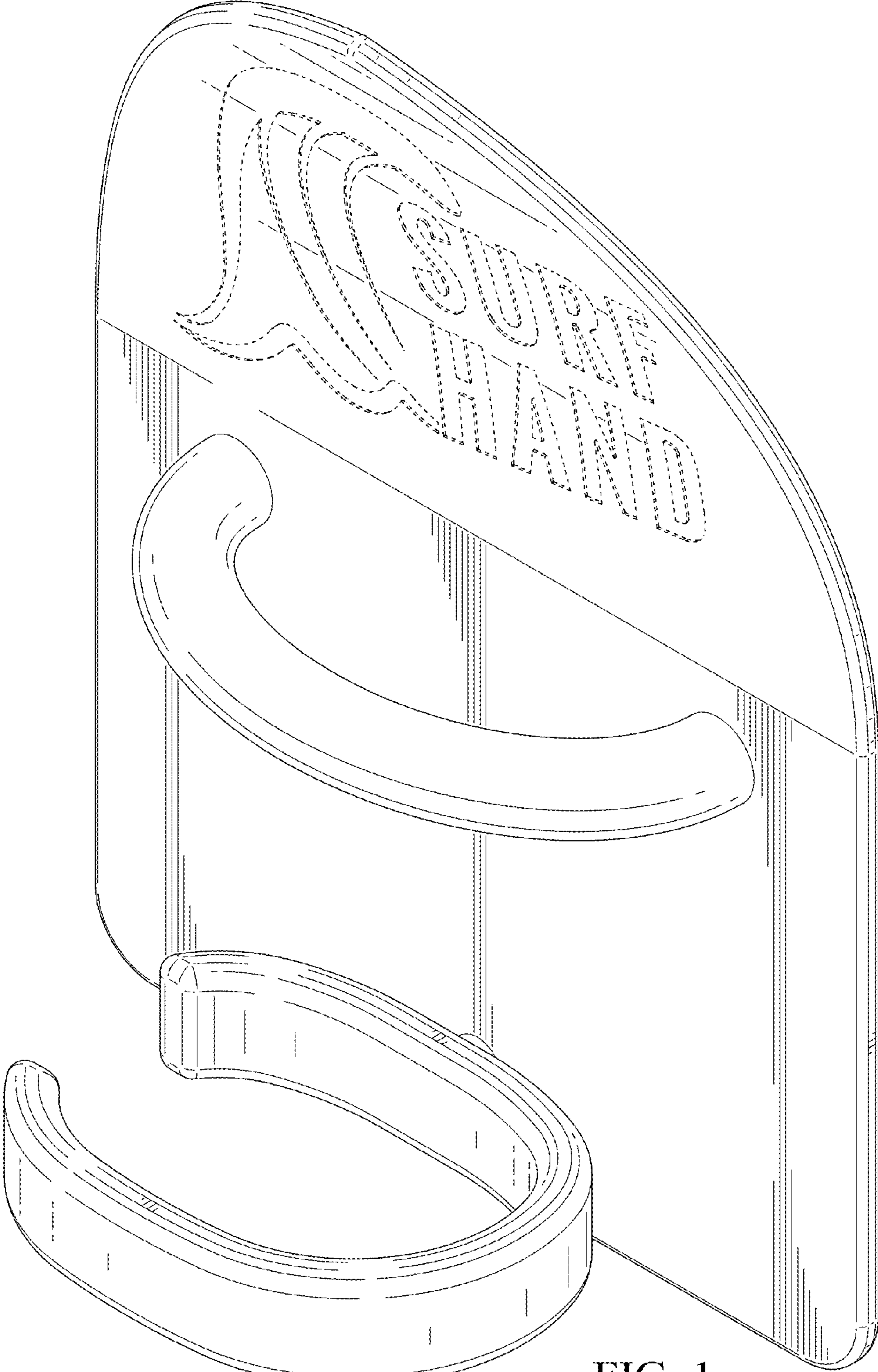


FIG. 1

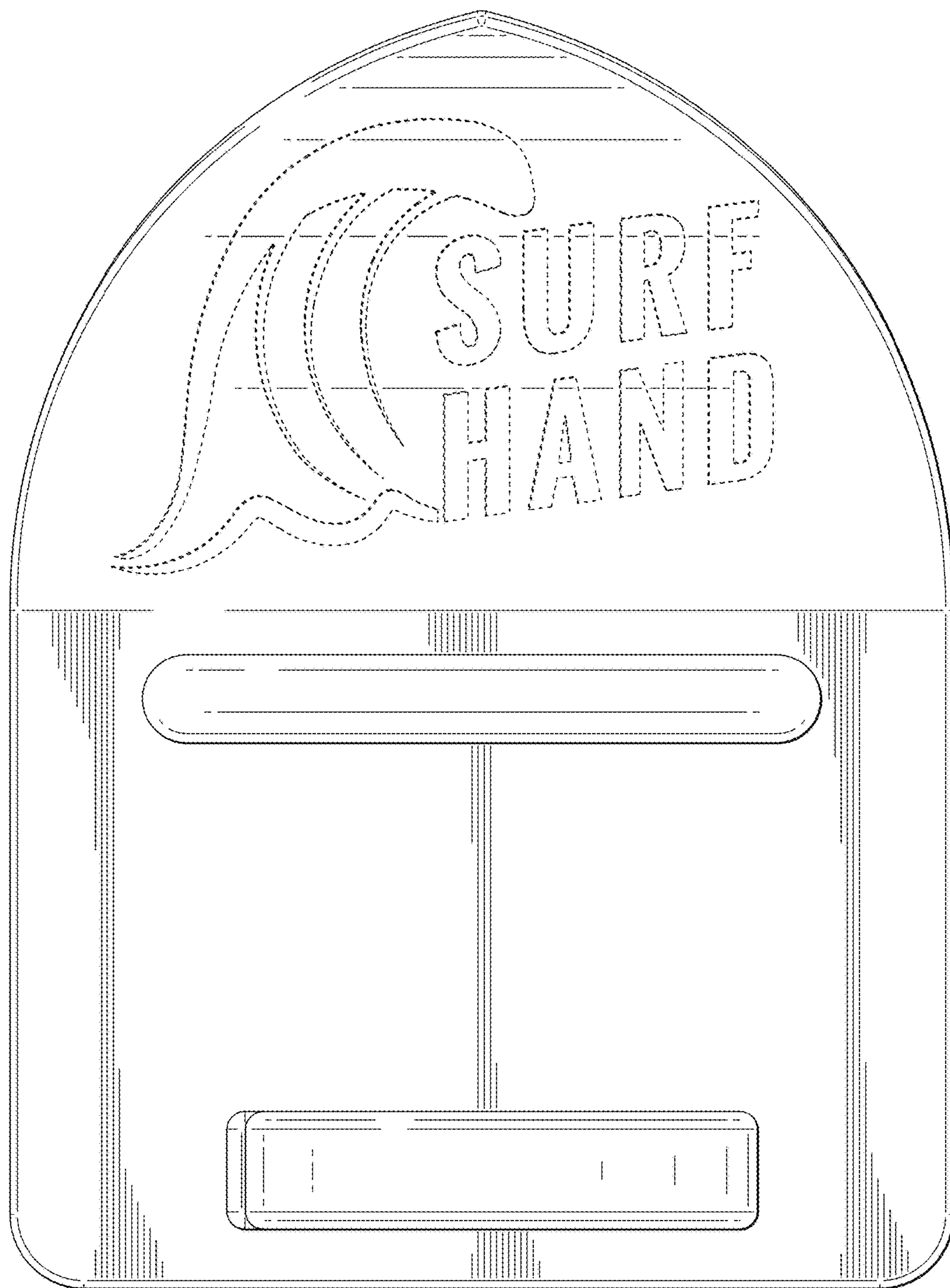


FIG. 2

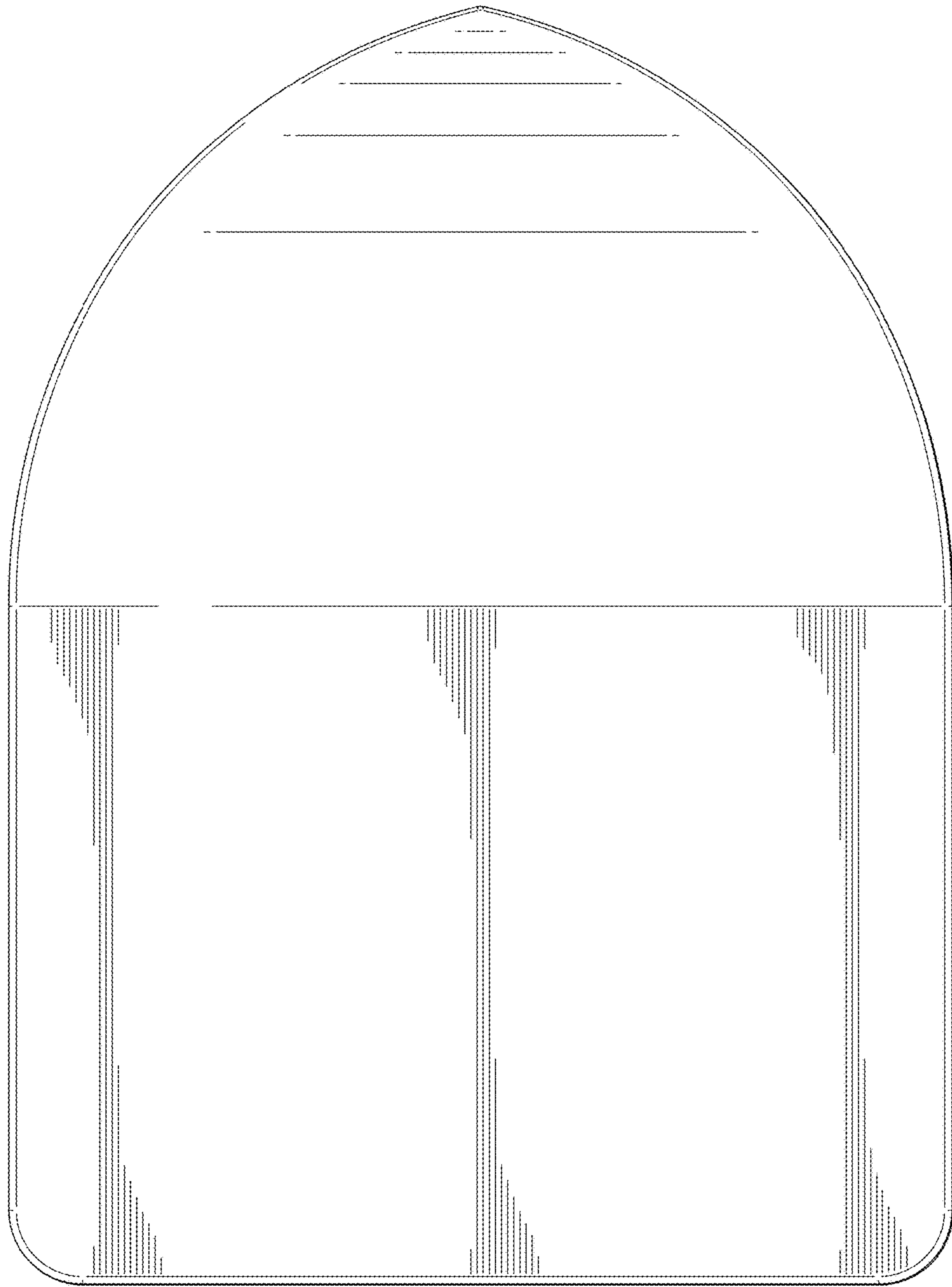


FIG. 3

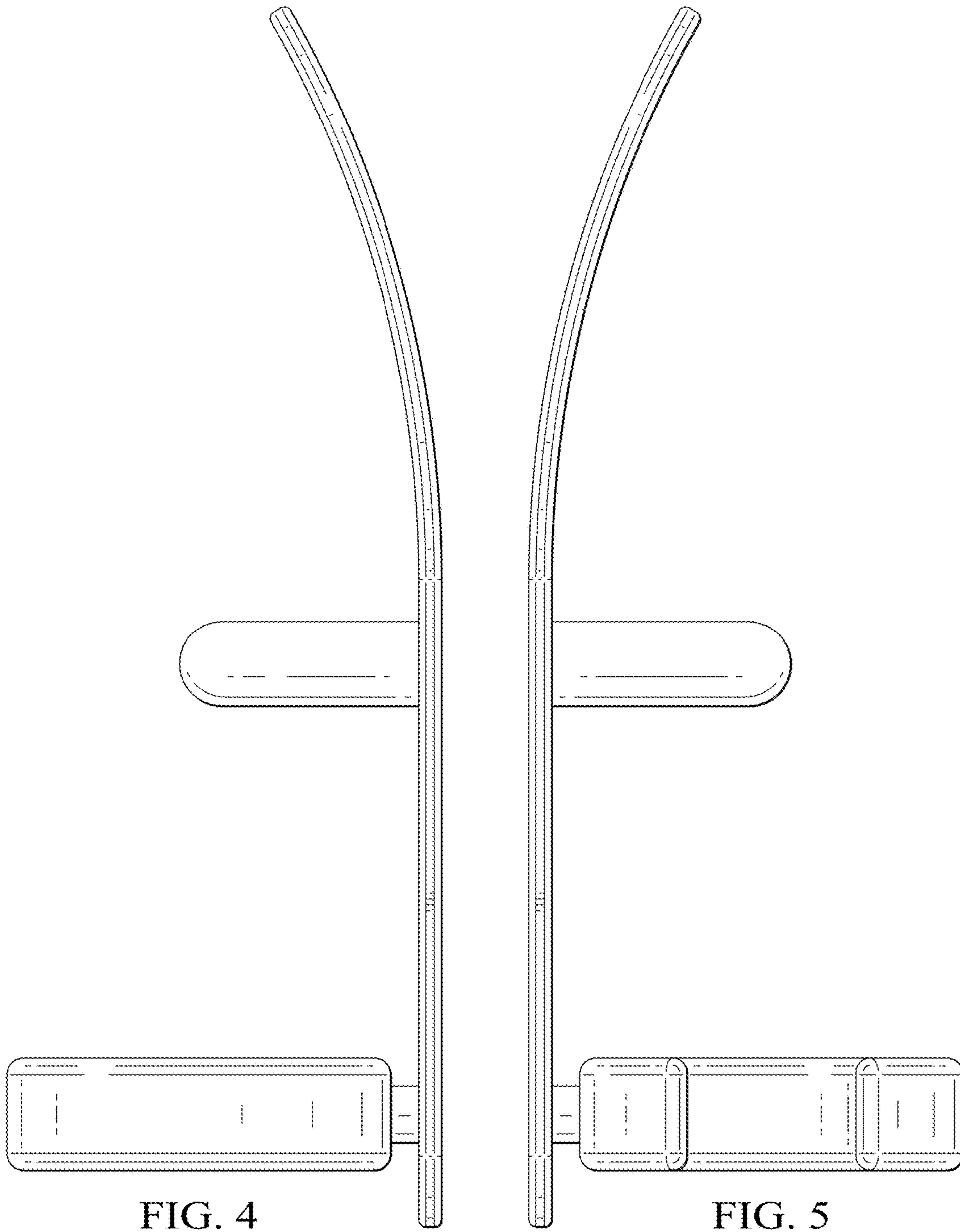


FIG. 4

FIG. 5

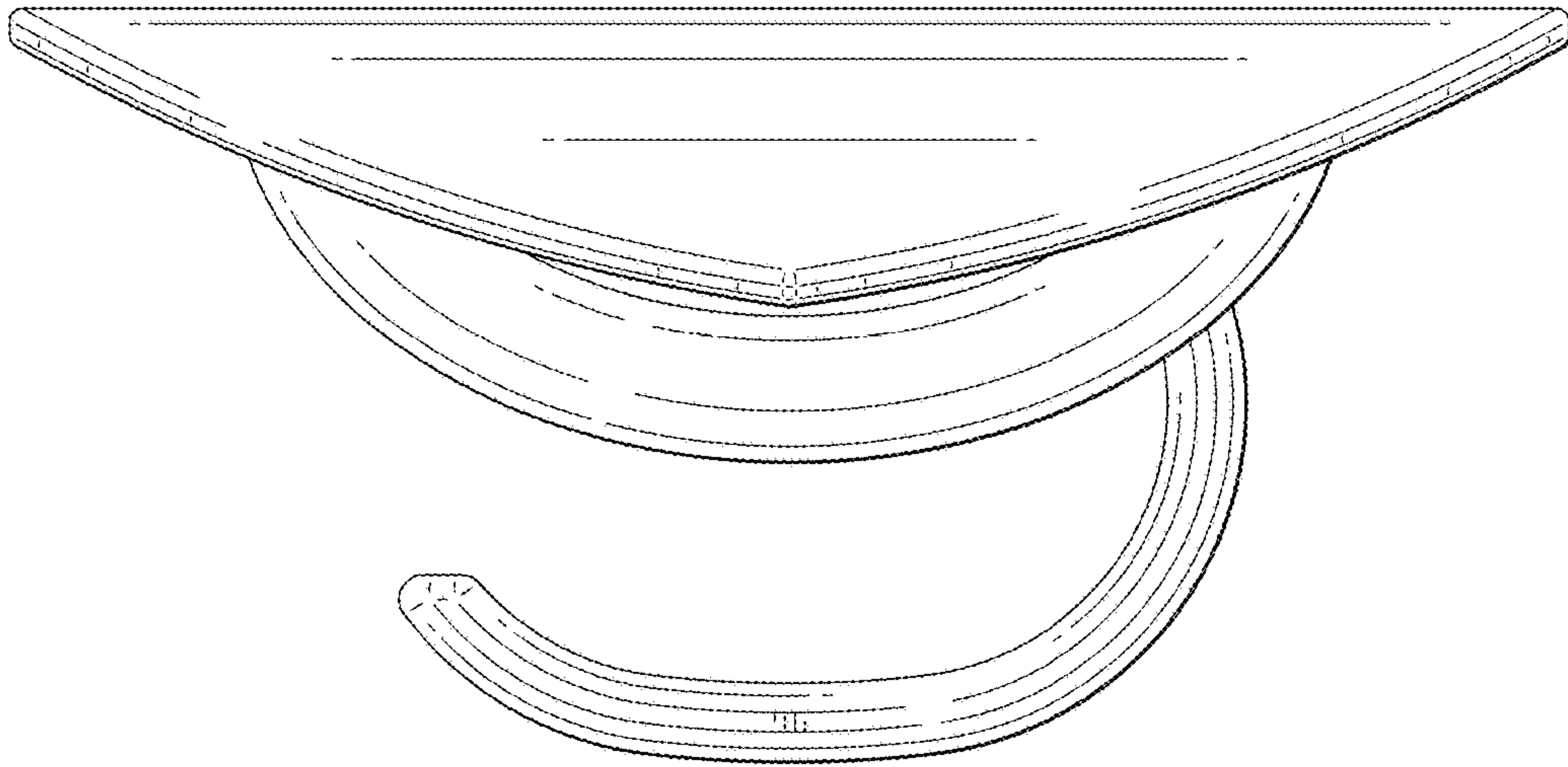


FIG. 6

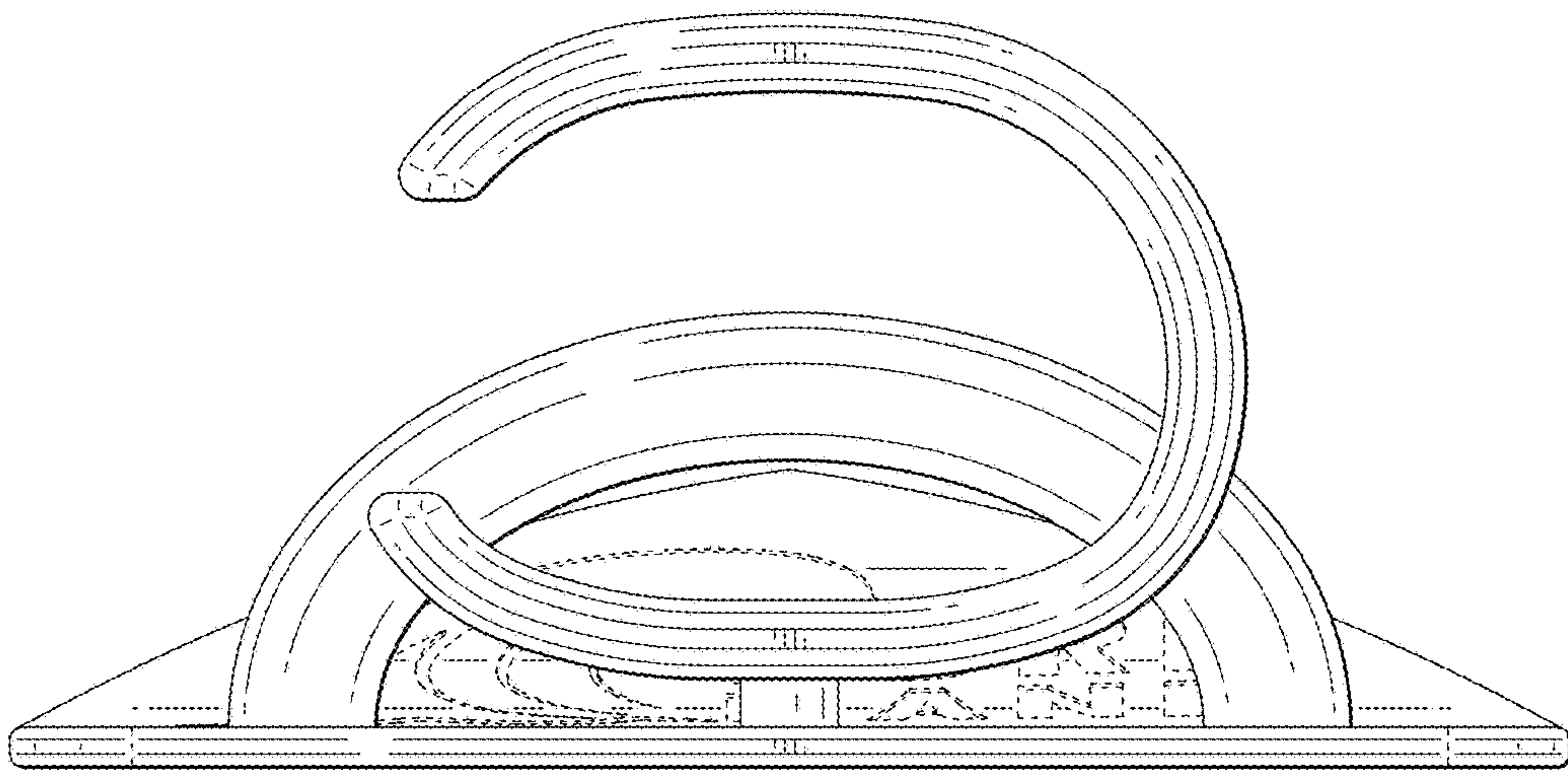


FIG. 7

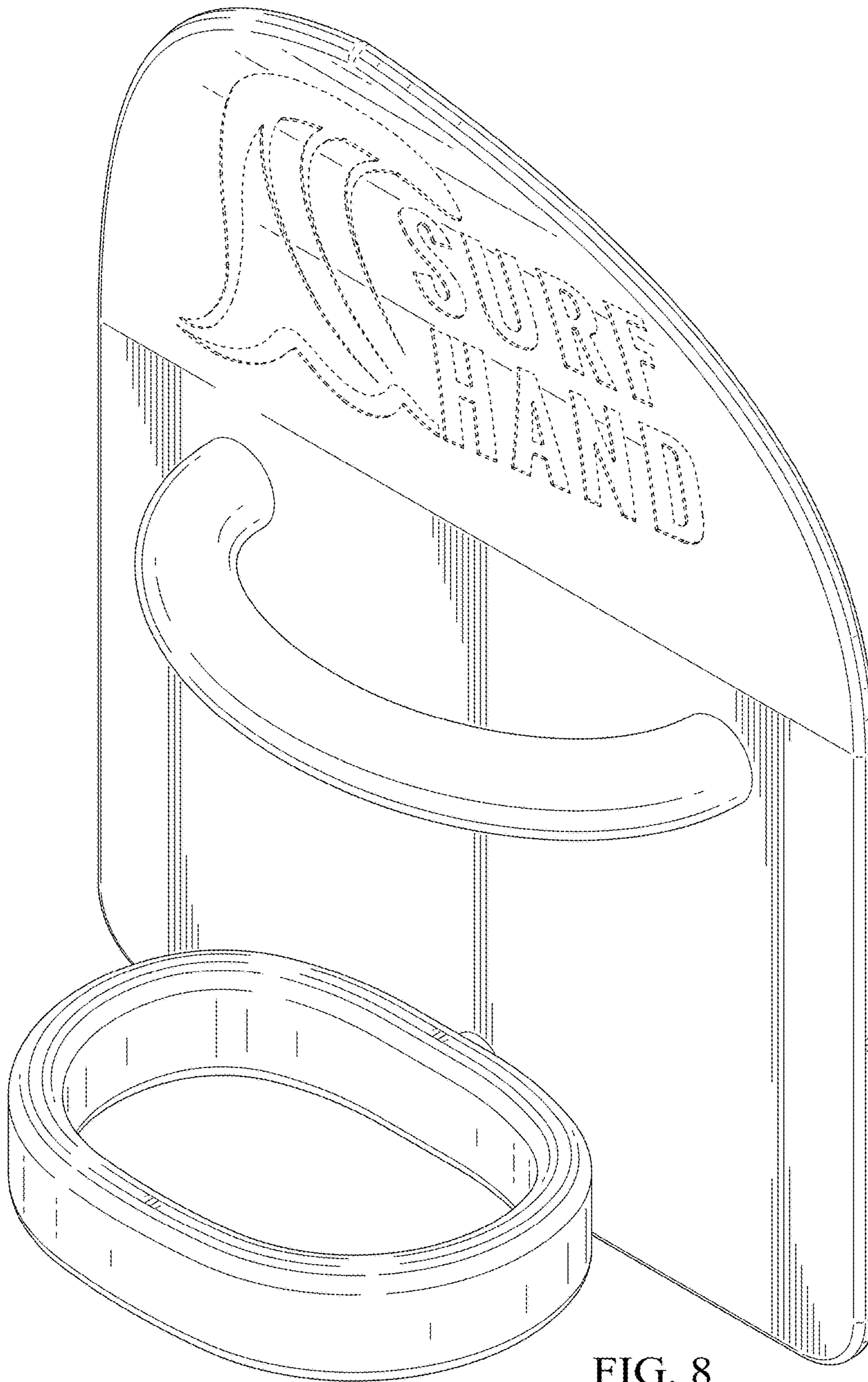


FIG. 8



FIG. 9

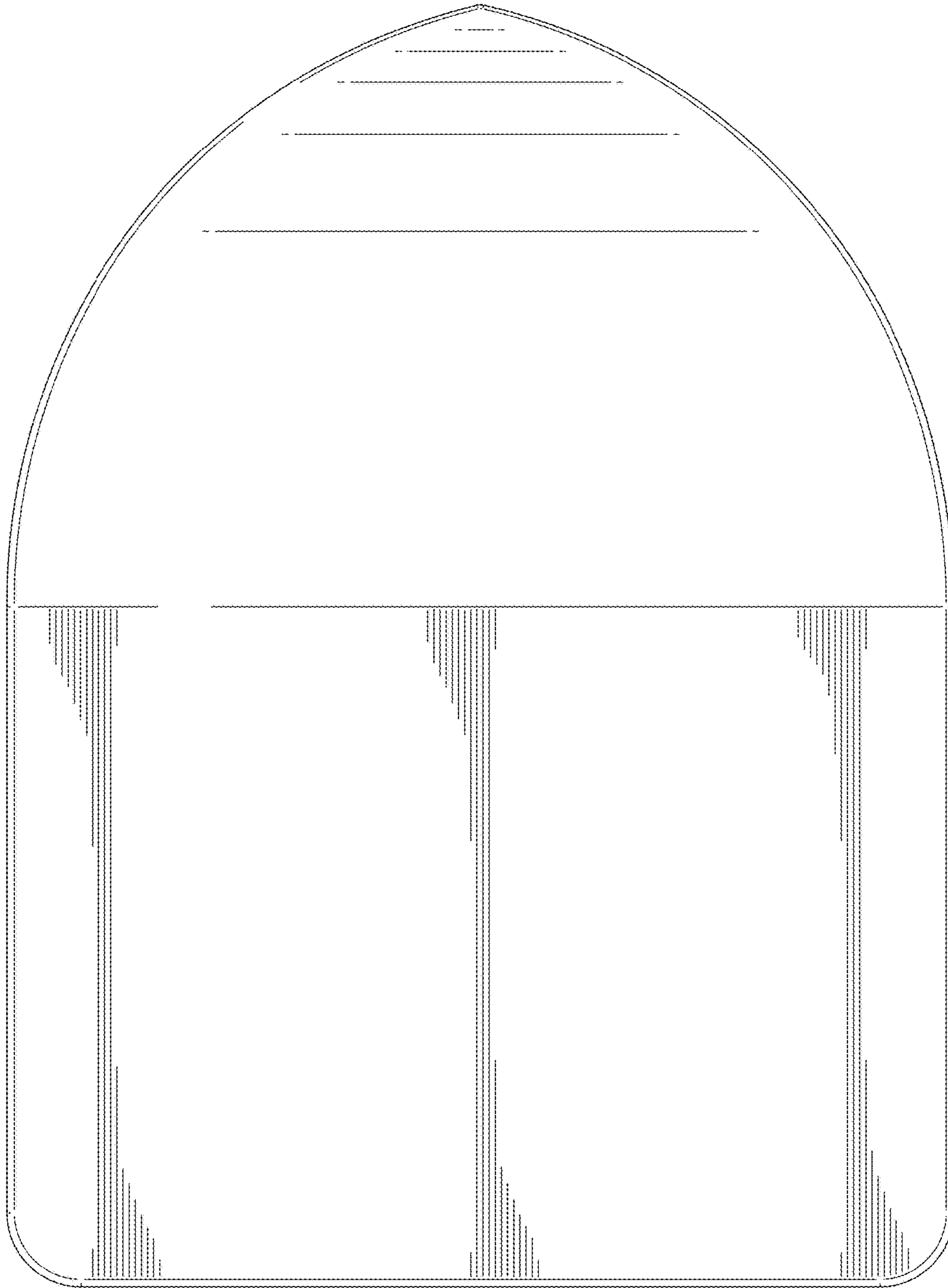


FIG. 10

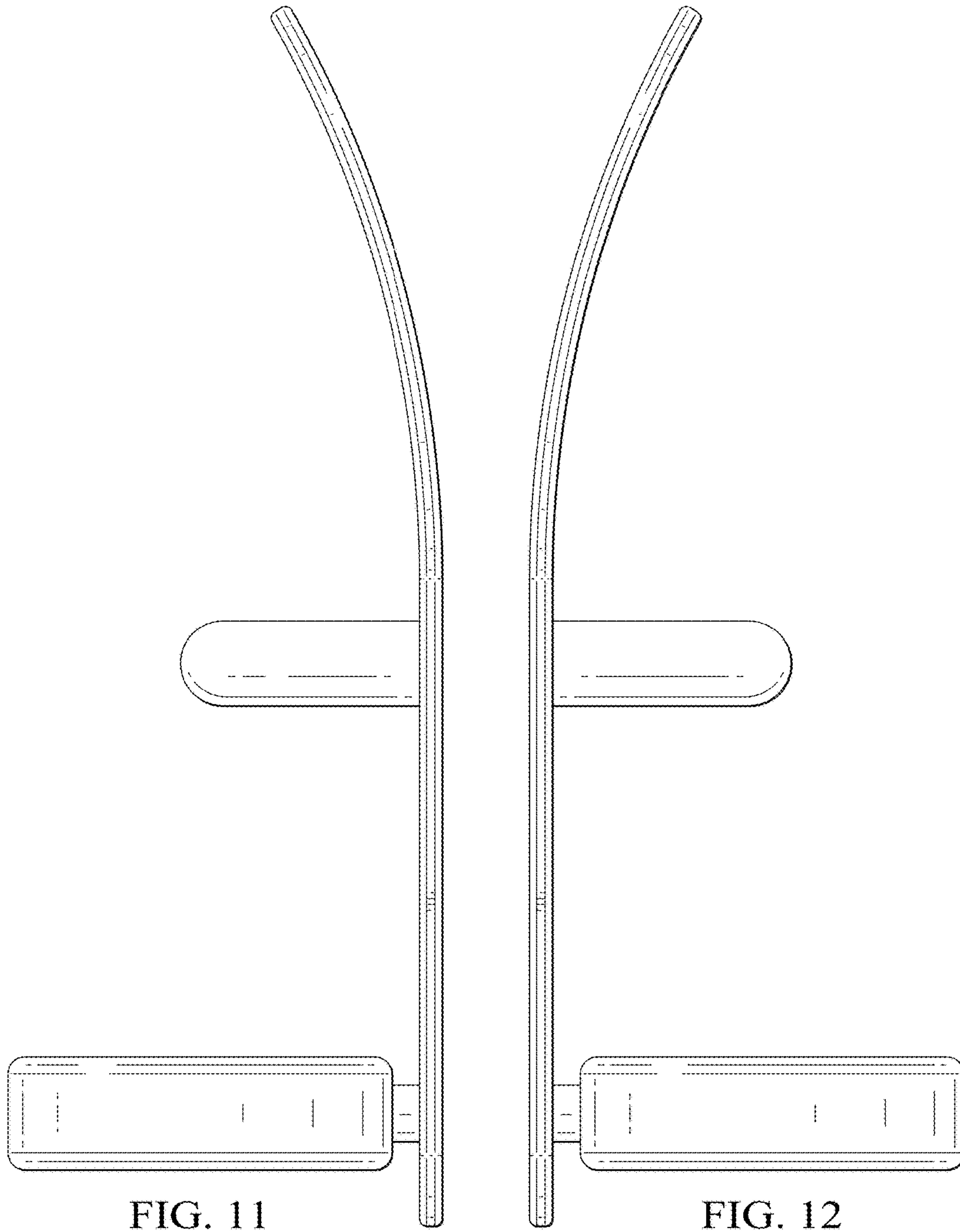


FIG. 11

FIG. 12

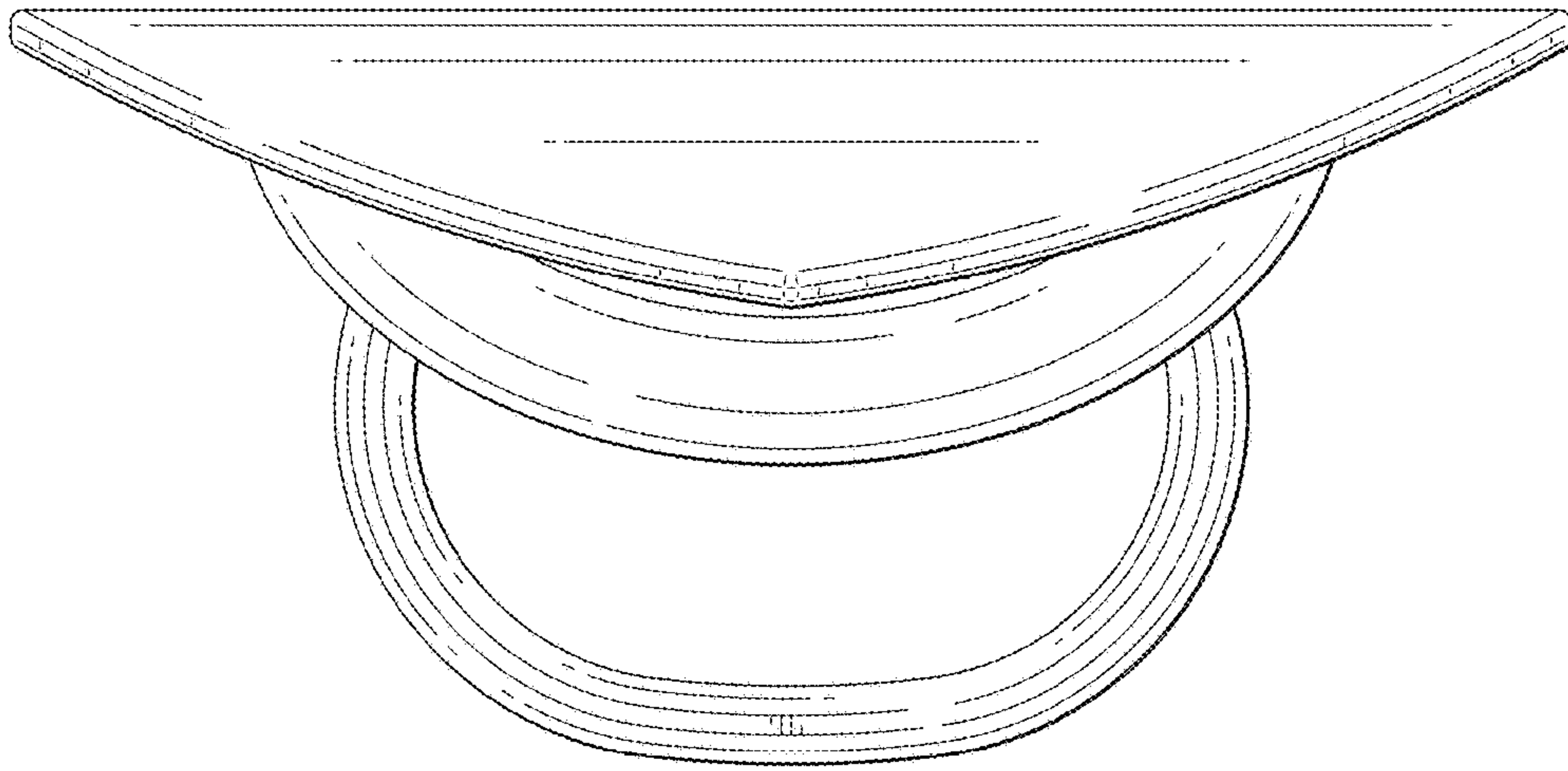


FIG. 13

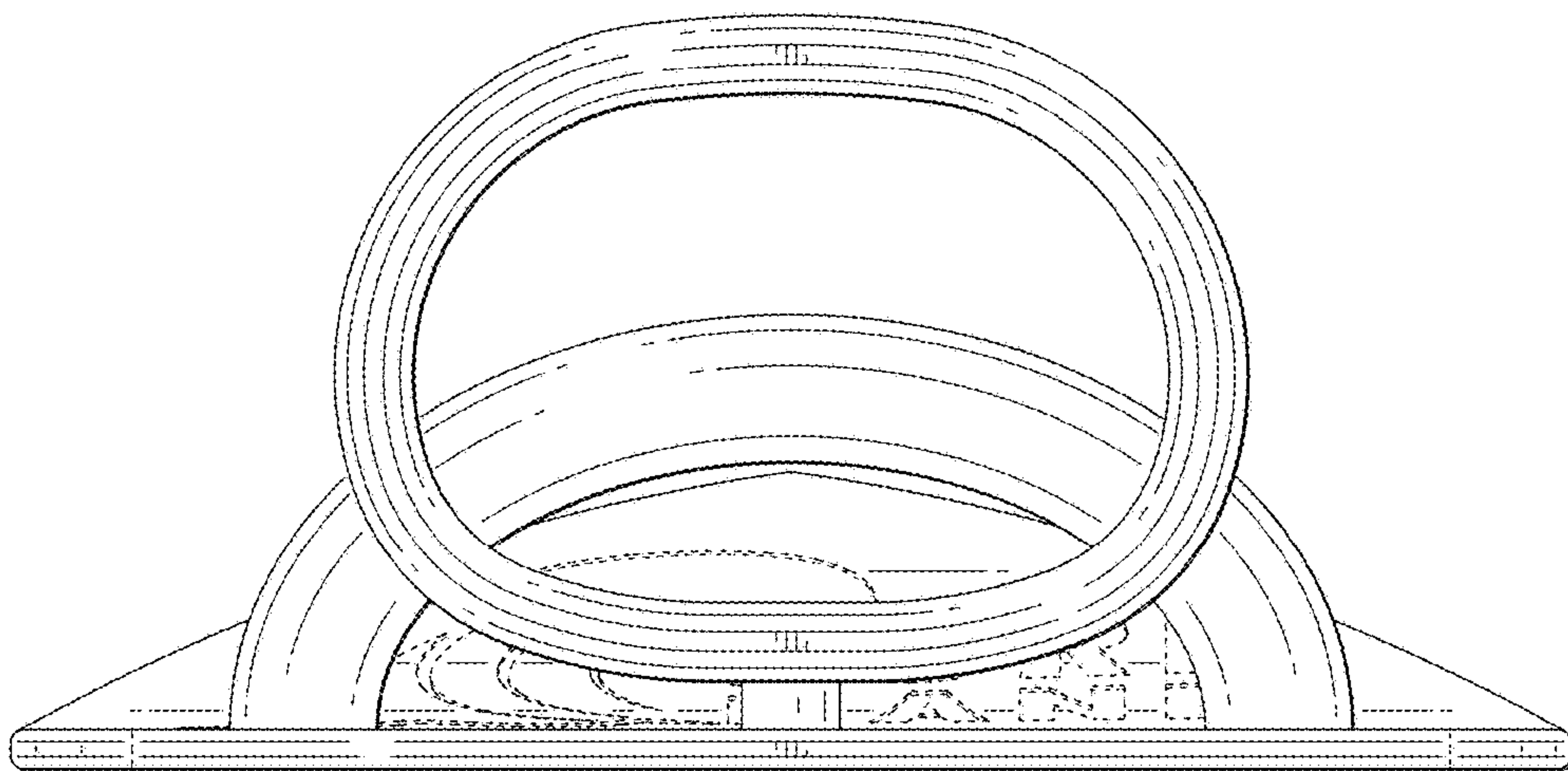


FIG. 14