



US00D826357S

(12) **United States Design Patent**
Warren

(10) **Patent No.:** **US D826,357 S**

(45) **Date of Patent:** **** *Aug. 21, 2018**

(54) **SWIM BOARD**

(71) Applicant: **William J. Warren**, Frisco, TX (US)

(72) Inventor: **William J. Warren**, Frisco, TX (US)

(*) Notice: This patent is subject to a terminal disclaimer.

(**) Term: **15 Years**

(21) Appl. No.: **29/598,437**

(22) Filed: **Mar. 26, 2017**

(51) **LOC (11) Cl.** **21-02**

(52) **U.S. Cl.**
USPC **D21/807**

(58) **Field of Classification Search**
USPC D21/597, 599, 646, 769, 770, 771, 778,
D21/792, 801, 803, 804, 805, 806, 807,
D21/808, 810, 814, 818, 819
CPC A41D 13/0518; A63B 2208/03; A63B
2225/605; A63B 31/00; A63B 31/10;
A63B 69/14; A63B 31/11; B63B 21/66;
B63C 11/02

See application file for complete search history.

(56) **References Cited**

U.S. PATENT DOCUMENTS

- 183,045 A * 10/1876 Dunlop A63B 31/04
2/20
- 1,062,587 A * 5/1913 Goersch A63B 31/08
2/20
- 2,017,463 A * 10/1935 Komadina A63B 31/14
441/58
- 2,745,119 A * 5/1956 Whipple A63B 31/08
441/56
- 3,417,415 A * 12/1968 Kozak A43B 5/08
441/58
- 4,509,744 A * 4/1985 Beasley A63B 31/08
441/58

- D301,111 S * 5/1989 McDonnell D12/11
- D318,894 S * 8/1991 Harling D21/807
- D578,596 S * 10/2008 Hicks D21/807
- 8,864,539 B1 * 10/2014 Watts B63B 35/7906
441/56
- D764,003 S * 8/2016 Chadwick D21/807
- D820,375 S 6/2018 Warren
- 2013/0316883 A1 * 11/2013 Warren A63B 21/00
482/139
- 2017/0232303 A1 * 8/2017 Chadwick A63B 9/12
434/254

OTHER PUBLICATIONS

- <http://www.podware.com.au/bodysurfing-handboards-handplanes/>— Retrieved on Jan. 2, 2018.*
- <https://www.amazon.com/THURSO-SURF-Construction-Comfortable-Lightweight/dp/B07222THZN/>— Retrieved on Jan. 2, 2018.*

* cited by examiner

Primary Examiner — Manpreet S Matharu
Assistant Examiner — Mojtaba Tehrani
(74) *Attorney, Agent, or Firm* — Carr & Ferrell LLP

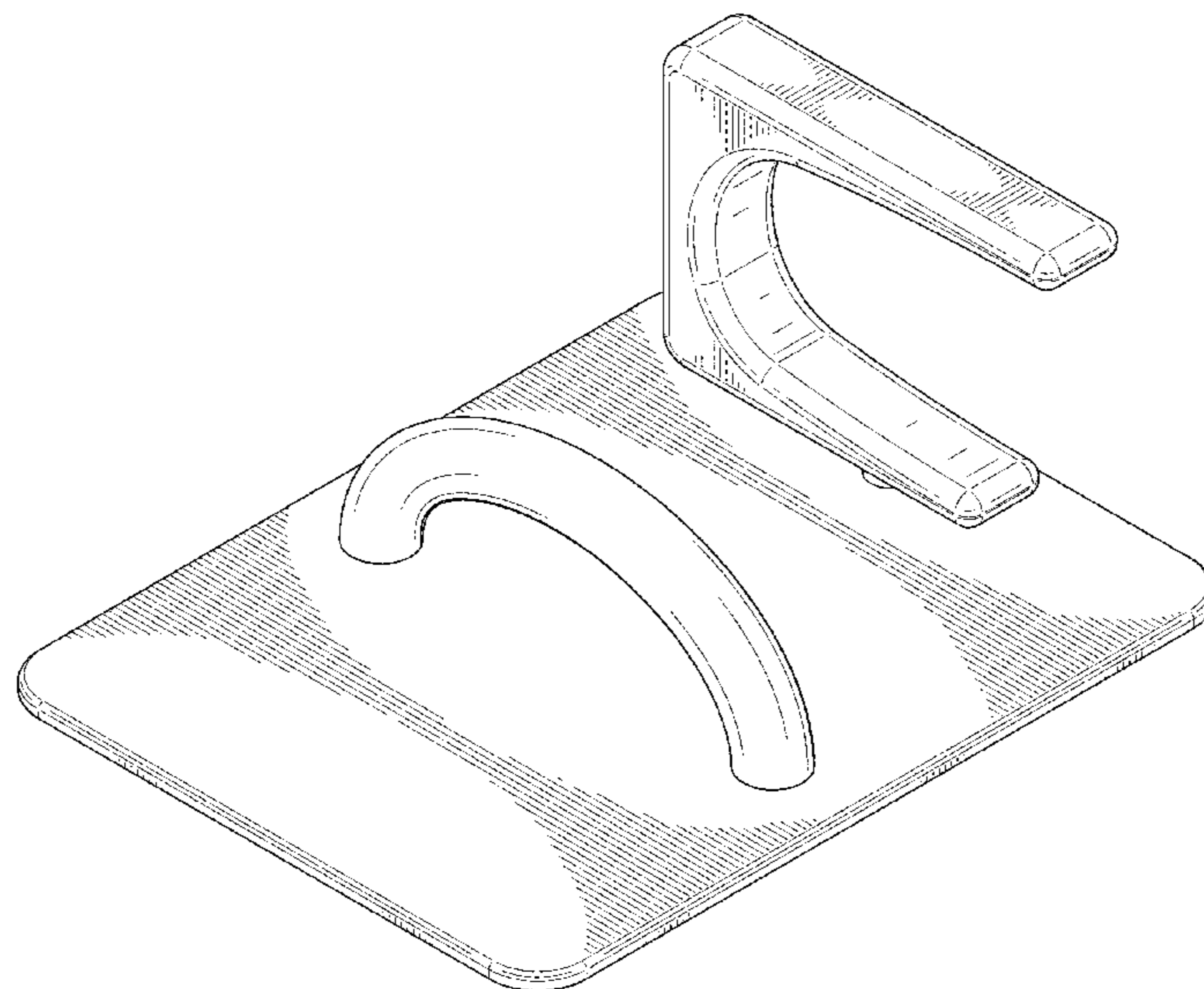
(57) **CLAIM**

The ornamental design for a swim board, as shown and described.

DESCRIPTION

FIG. 1 is a top front perspective view of a swim board showing my new design;
FIG. 2 is a left side elevation view thereof;
FIG. 3 is a right side elevation view thereof;
FIG. 4 is a rear elevation view thereof;
FIG. 5 is a front elevation view thereof;
FIG. 6 is a top plan view thereof; and,
FIG. 7 is a bottom plan view thereof.

1 Claim, 7 Drawing Sheets



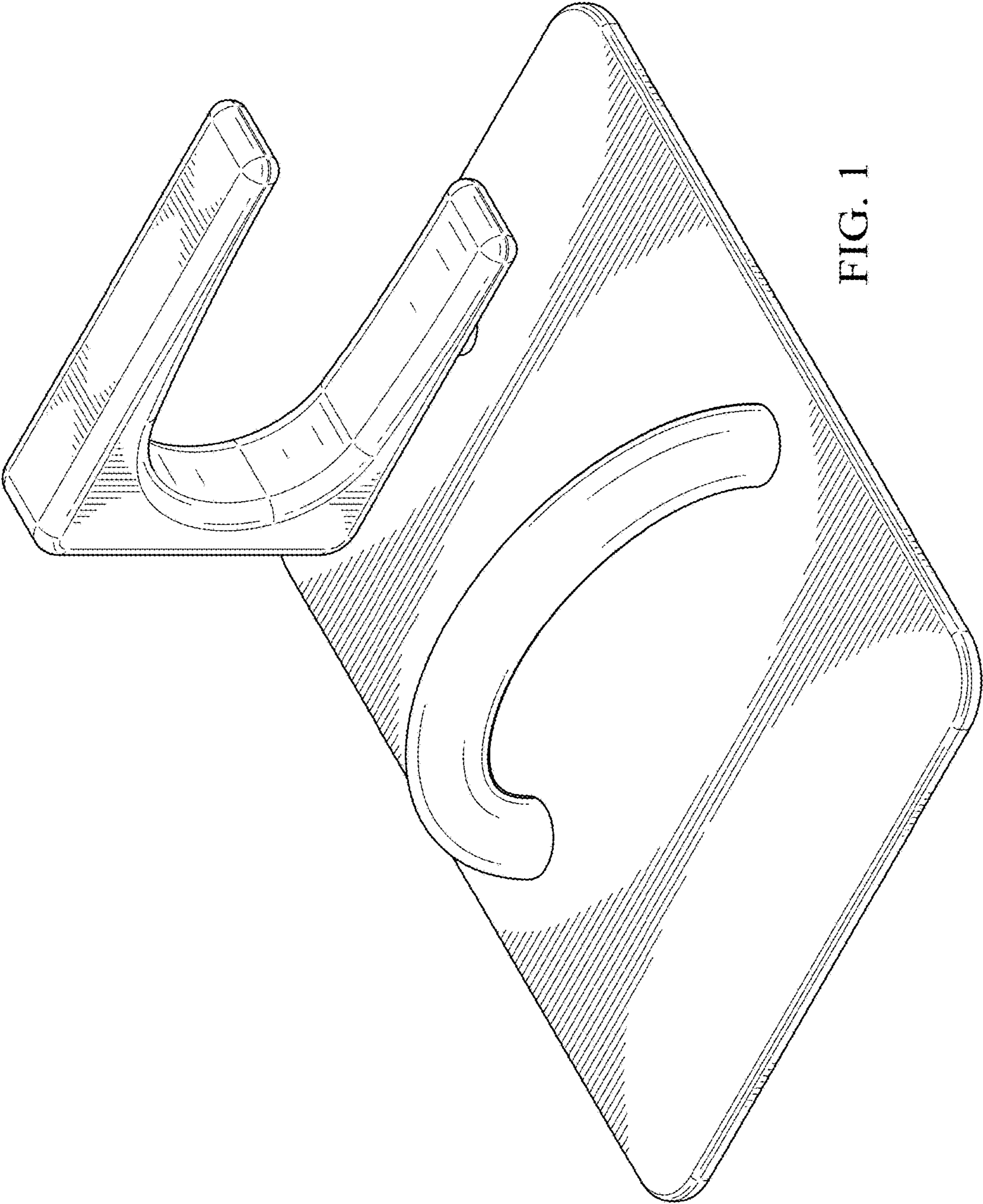


FIG. 1

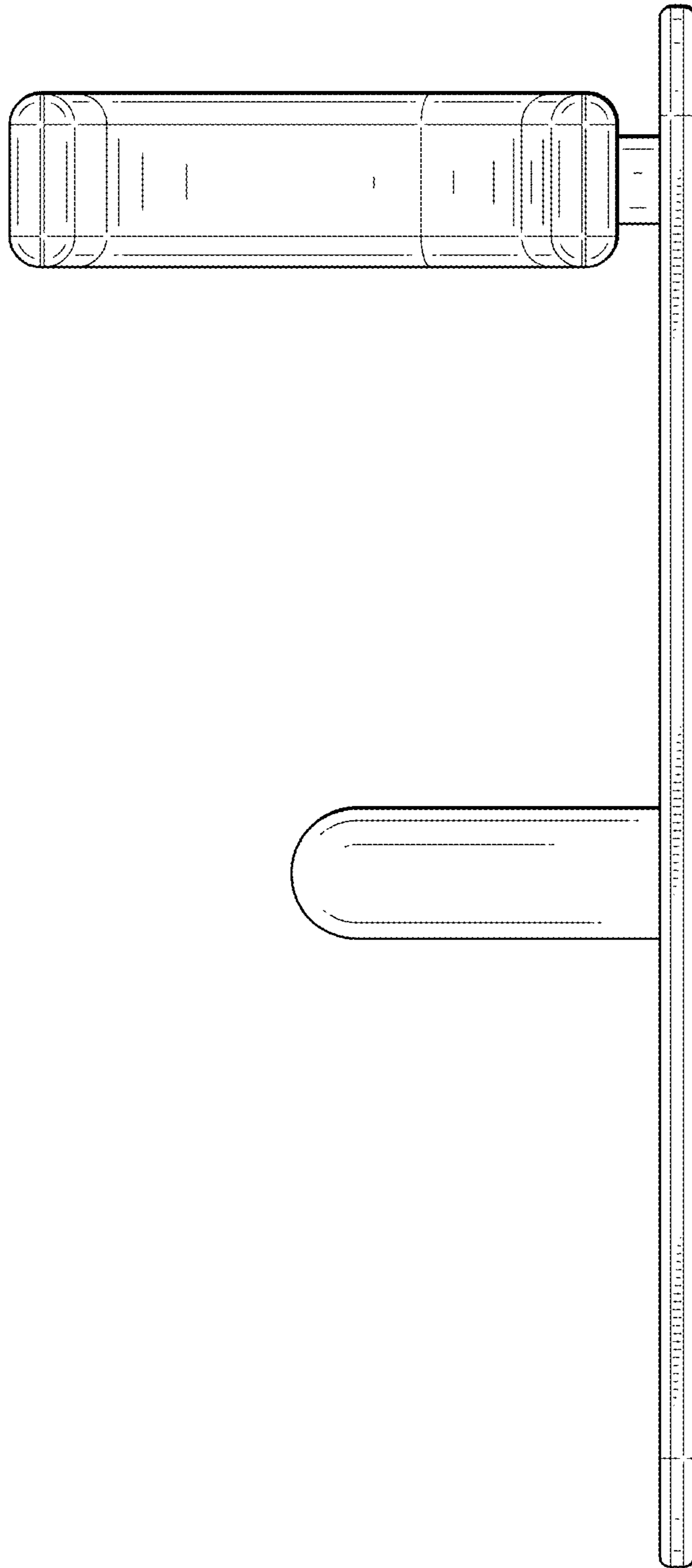


FIG. 2

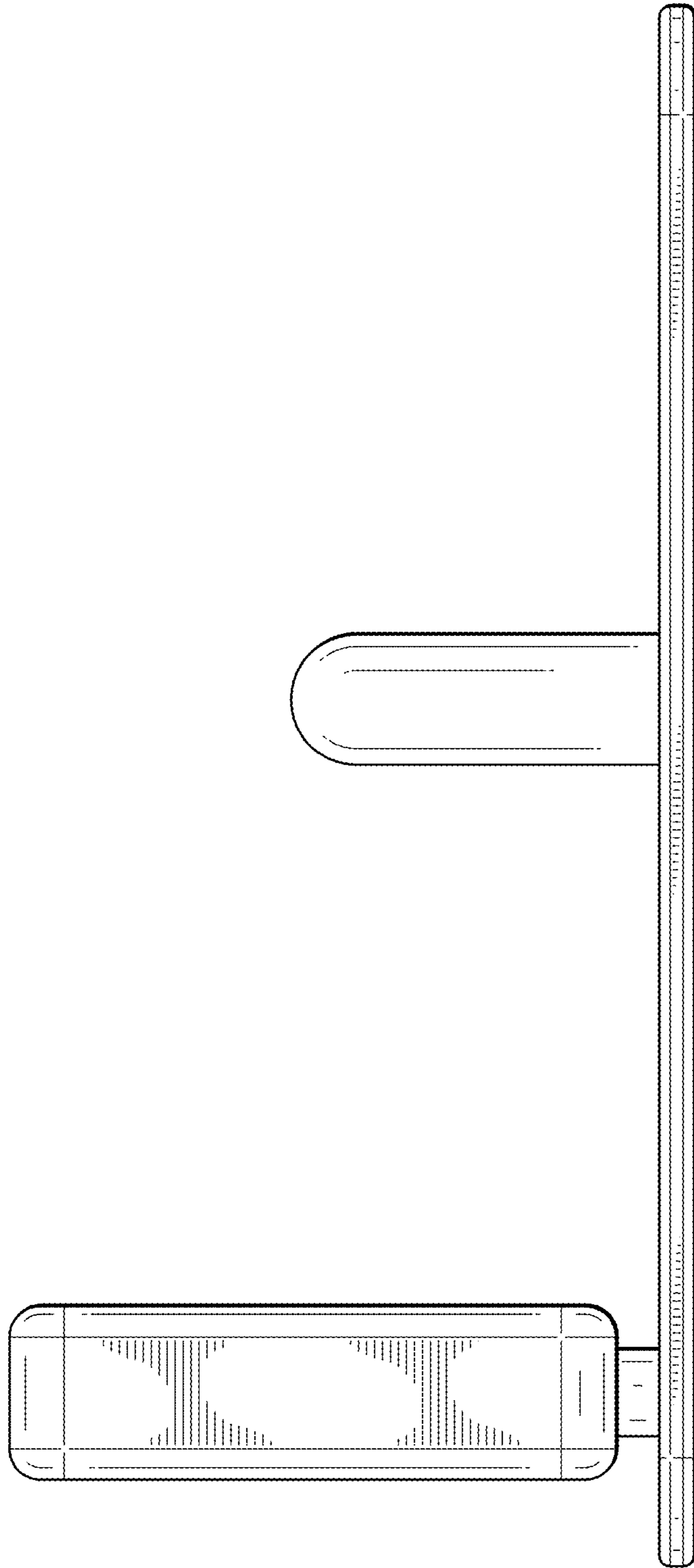


FIG. 3

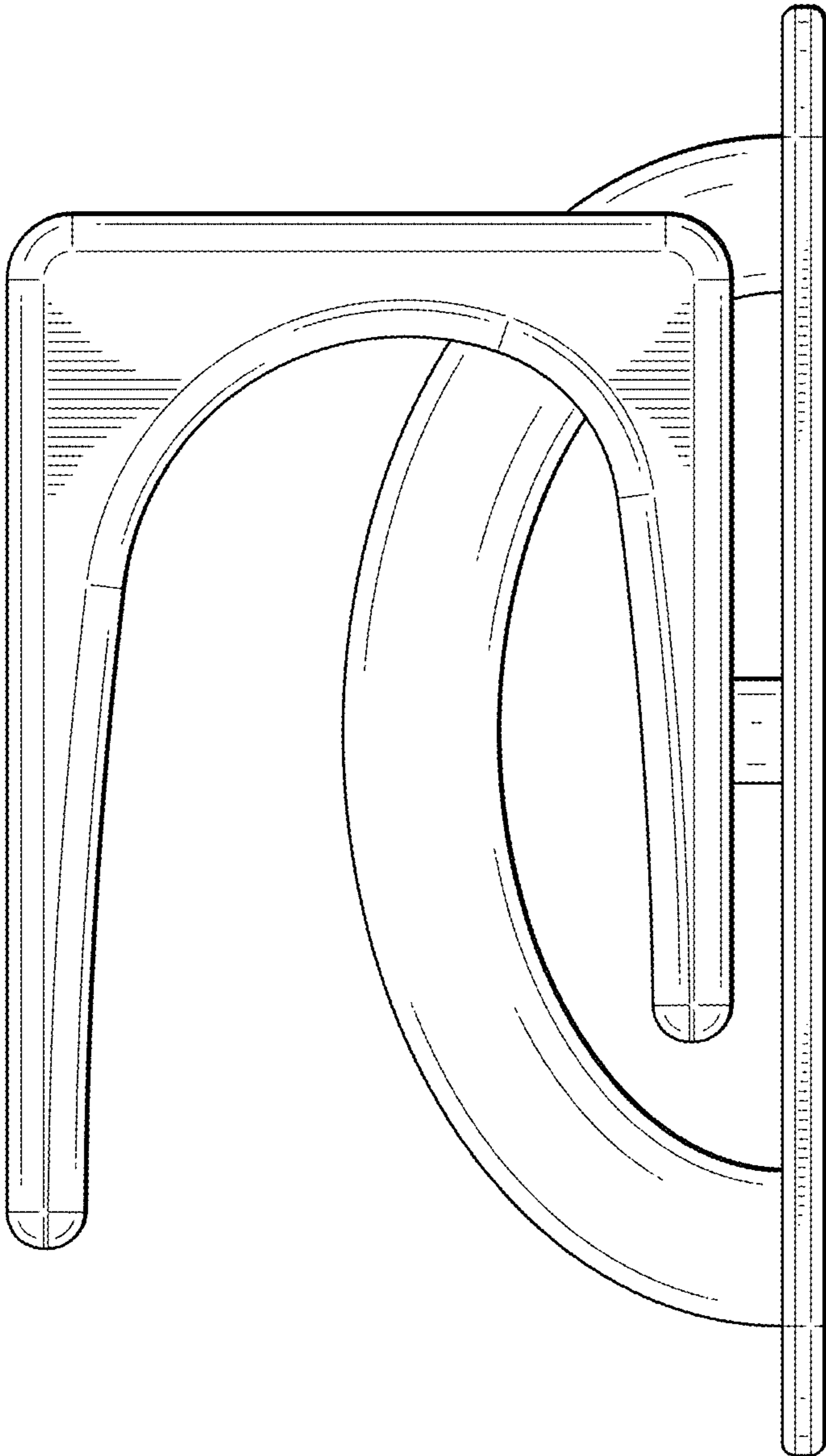


FIG. 4

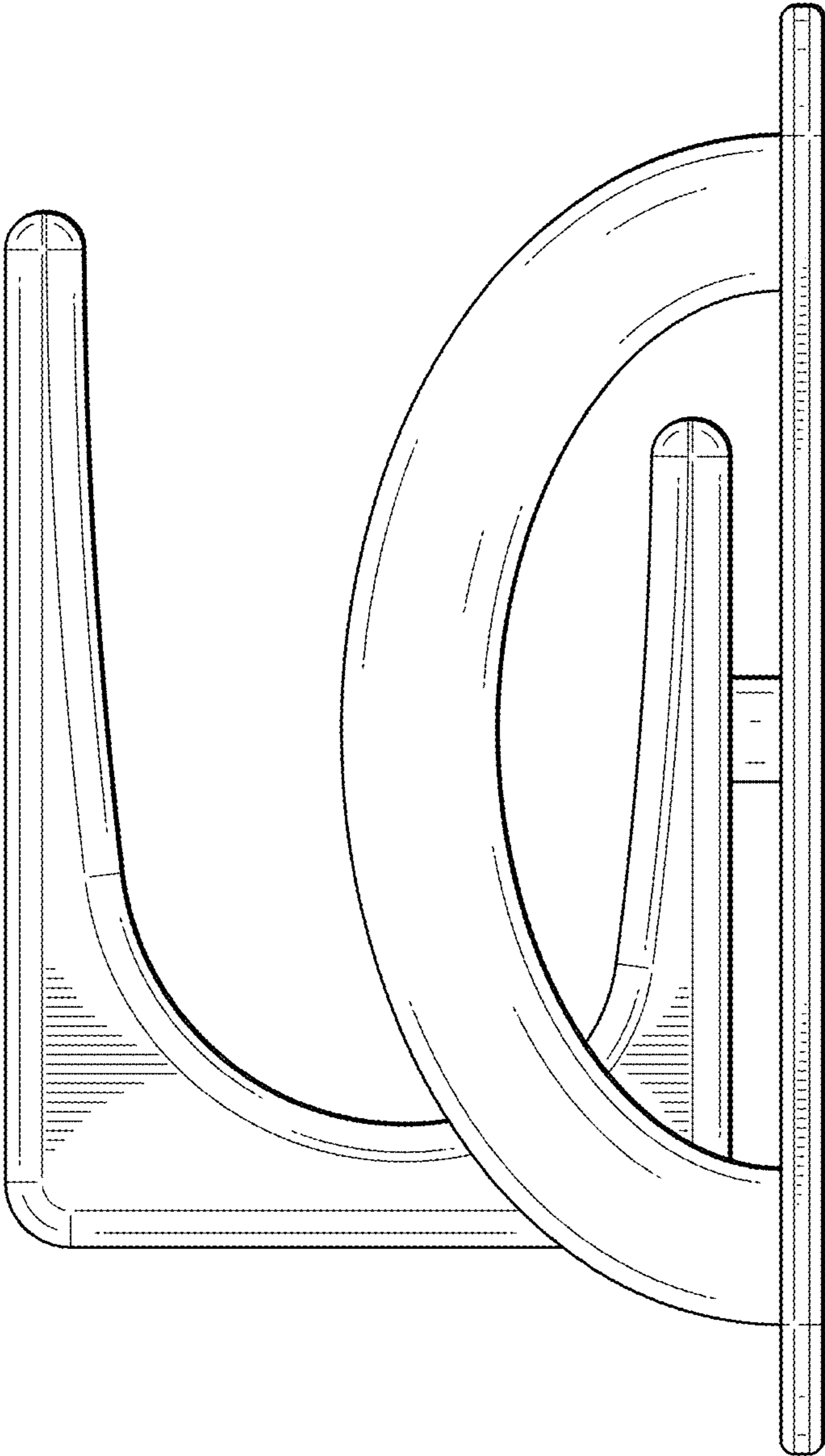


FIG. 5

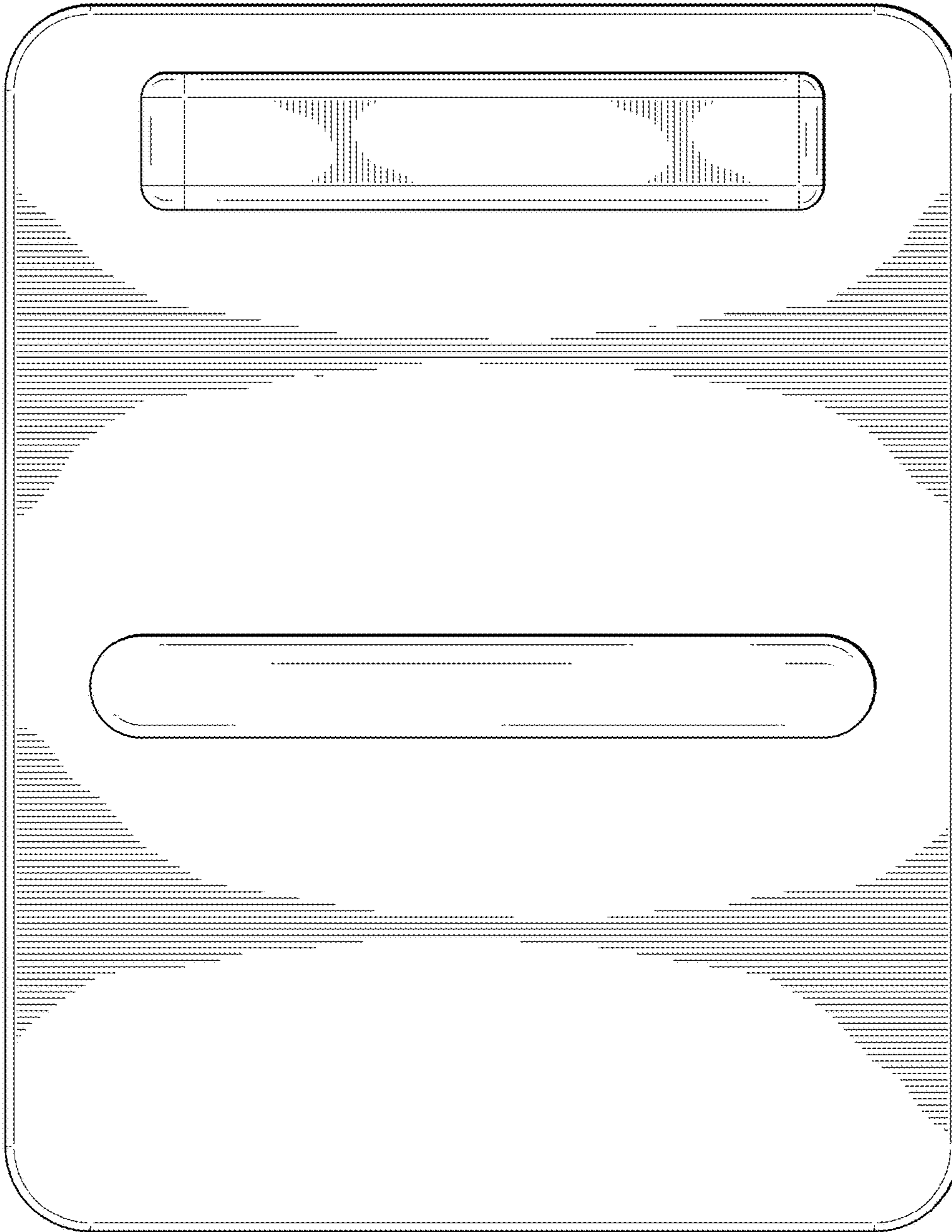


FIG. 6

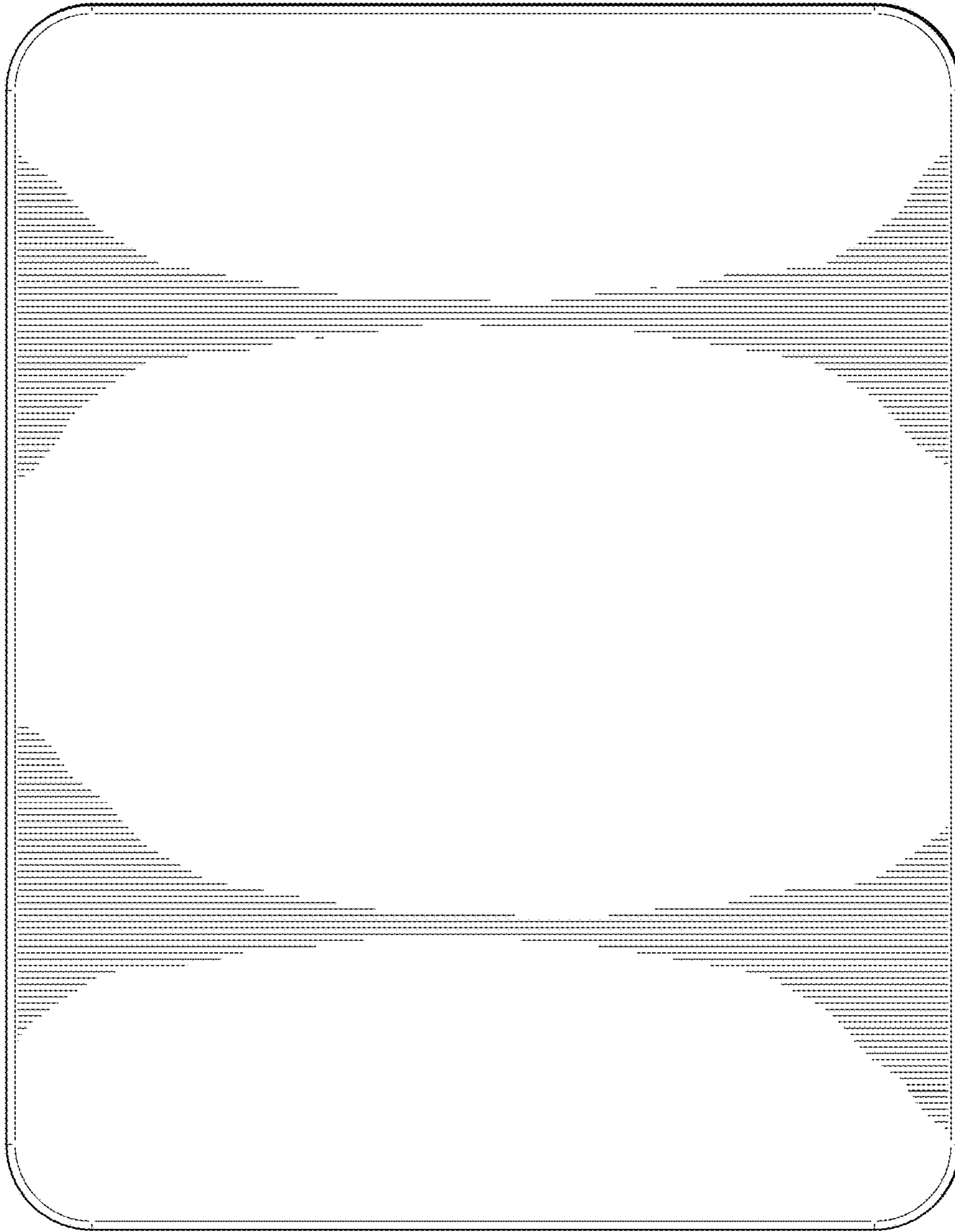


FIG. 7