



US00D826355S

(12) **United States Design Patent** (10) **Patent No.:** **US D826,355 S**
Kenny (45) **Date of Patent:** **** Aug. 21, 2018**

(54) **GOLF TOOL**
(71) Applicant: **Michael J. Kenny**, Jupiter, FL (US)
(72) Inventor: **Michael J. Kenny**, Jupiter, FL (US)
(**) Term: **15 Years**
(21) Appl. No.: **29/623,099**
(22) Filed: **Oct. 23, 2017**
(51) **LOC (11) Cl.** **21-02**
(52) **U.S. Cl.**
USPC **D21/793**
(58) **Field of Classification Search**
USPC D21/789, 793, 796; D27/172, 183, 192
CPC A63B 57/00; A63B 57/50; A63B 57/12;
A63B 57/16; A63B 57/20; A63B 57/30;
A63B 57/35
See application file for complete search history.

D567,319 S 4/2008 Beard
D571,428 S 6/2008 Williams
D583,893 S * 12/2008 Ruff D21/794
D616,953 S * 6/2010 Shinki D21/794
D622,799 S * 8/2010 Cameron A63B 57/353
D21/794
D661,761 S * 6/2012 Cameron D21/794
D669,551 S * 10/2012 Perez D21/794
D719,232 S * 12/2014 Wallander D21/793
D772,998 S 11/2016 Ranjan et al.
D792,541 S 7/2017 Beard
D802,695 S * 11/2017 Brooks D21/794
2004/0142773 A1 7/2004 Kennedy

* cited by examiner

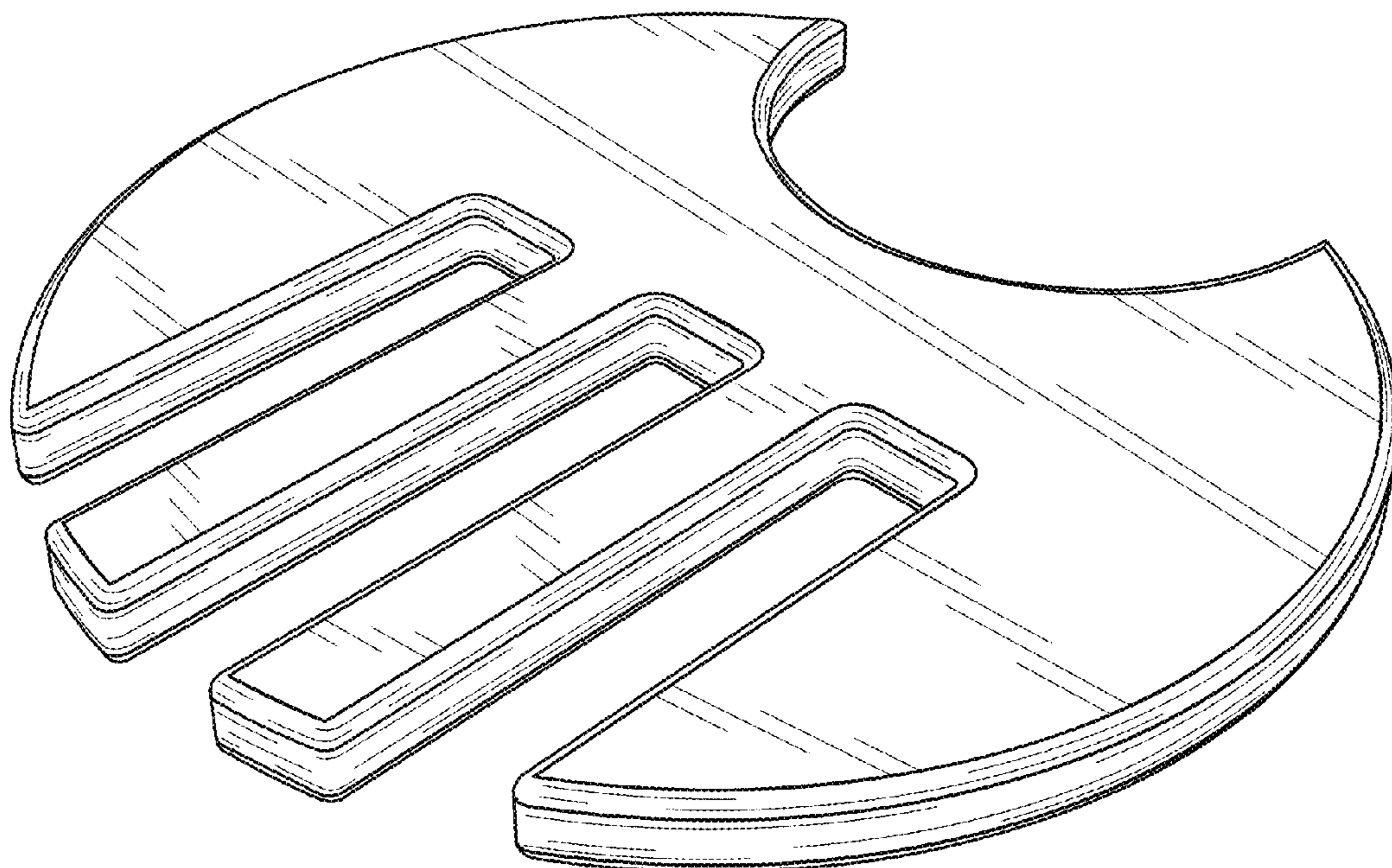
Primary Examiner — Mitchell I. Siegel
(74) *Attorney, Agent, or Firm* — Cramer Patent & Design, PLLC; Aaron R. Cramer

(57) **CLAIM**
The ornamental design for a golf tool, as shown and described.

(56) **References Cited**
U.S. PATENT DOCUMENTS
3,763,515 A * 10/1973 Voss A63B 57/50
15/105
D247,452 S * 3/1978 Kitay D21/793
5,295,683 A 3/1994 Tate
D399,597 S * 10/1998 Craven D21/789
D401,379 S * 11/1998 Goldoftas D21/793
D424,151 S * 5/2000 Miura D21/793
D442,249 S 5/2001 Fazekas
D471,612 S * 3/2003 Chandler D21/793
D513,632 S * 1/2006 Sokolowski D21/793
D534,982 S * 1/2007 Miller D21/793

DESCRIPTION
FIG. 1 is a perspective top front left view of a golf tool, showing my new design;
FIG. 2 is a perspective top rear right view thereof;
FIG. 3 is a front elevation view thereof;
FIG. 4 is a rear elevation view thereof;
FIG. 5 is a right elevation view thereof;
FIG. 6 is a left elevation view thereof;
FIG. 7 is a top plan view thereof, and,
FIG. 8 is a bottom plan view thereof.

1 Claim, 6 Drawing Sheets



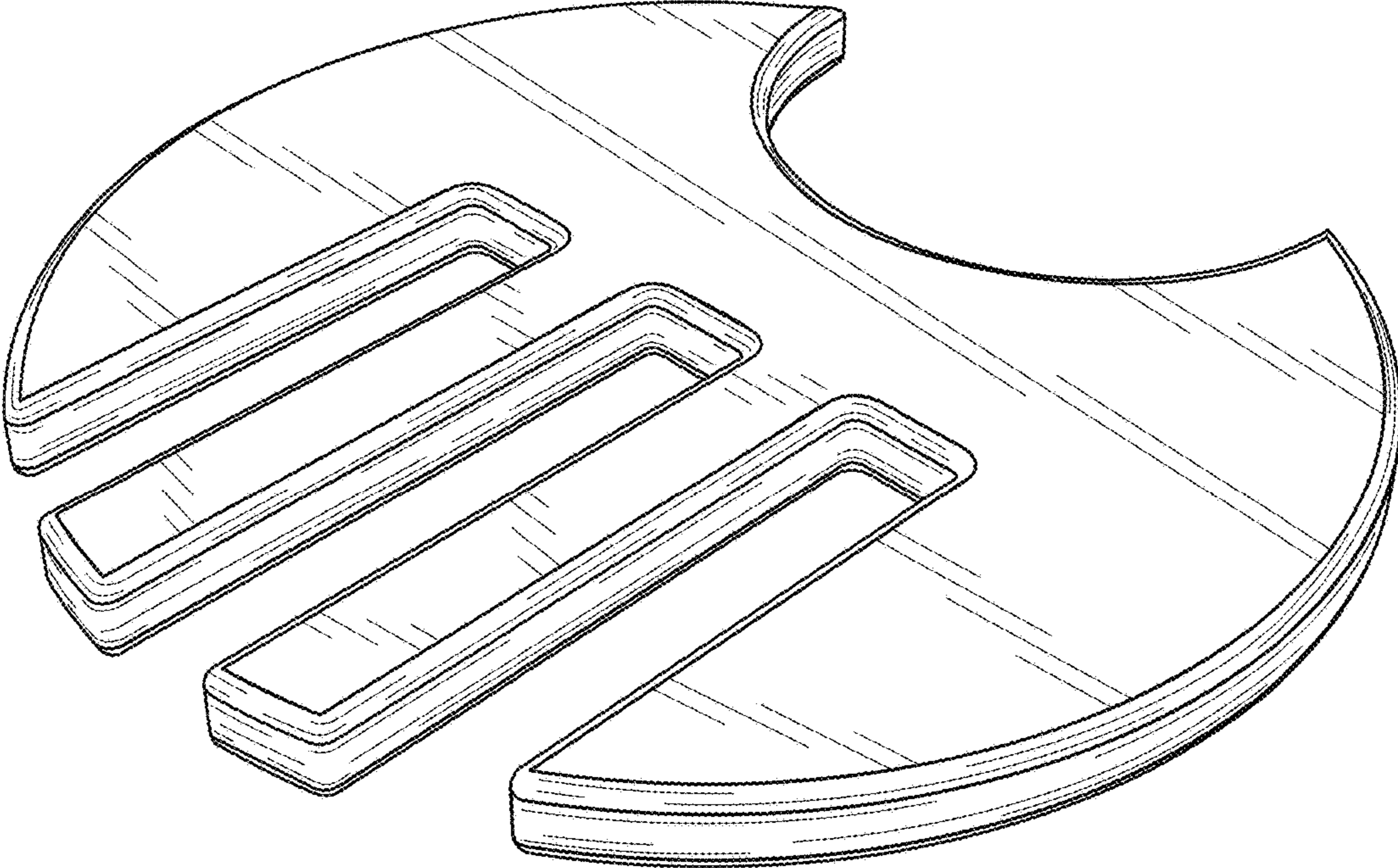


FIG. 1

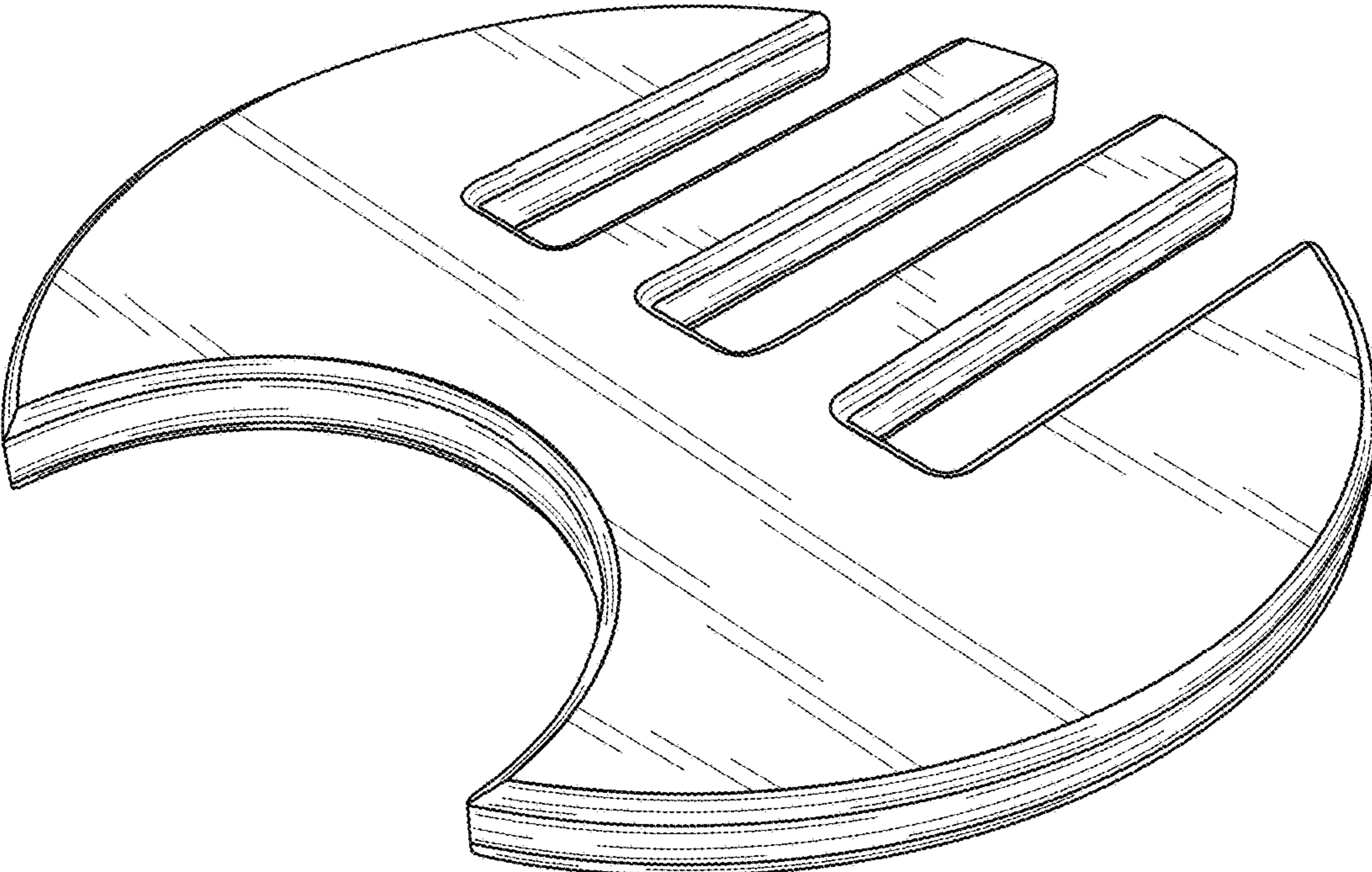


FIG. 2

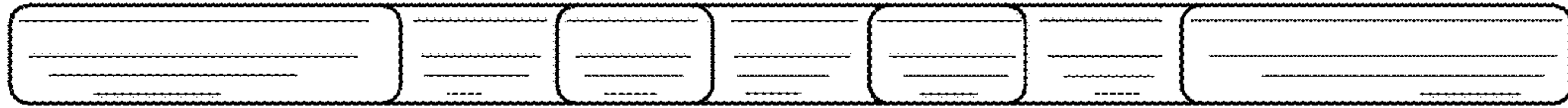


FIG. 3



FIG. 4



FIG. 5

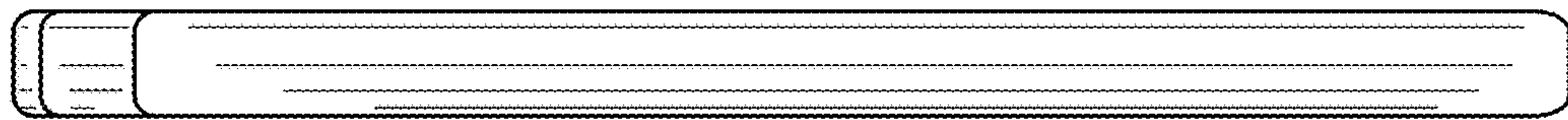


FIG. 6

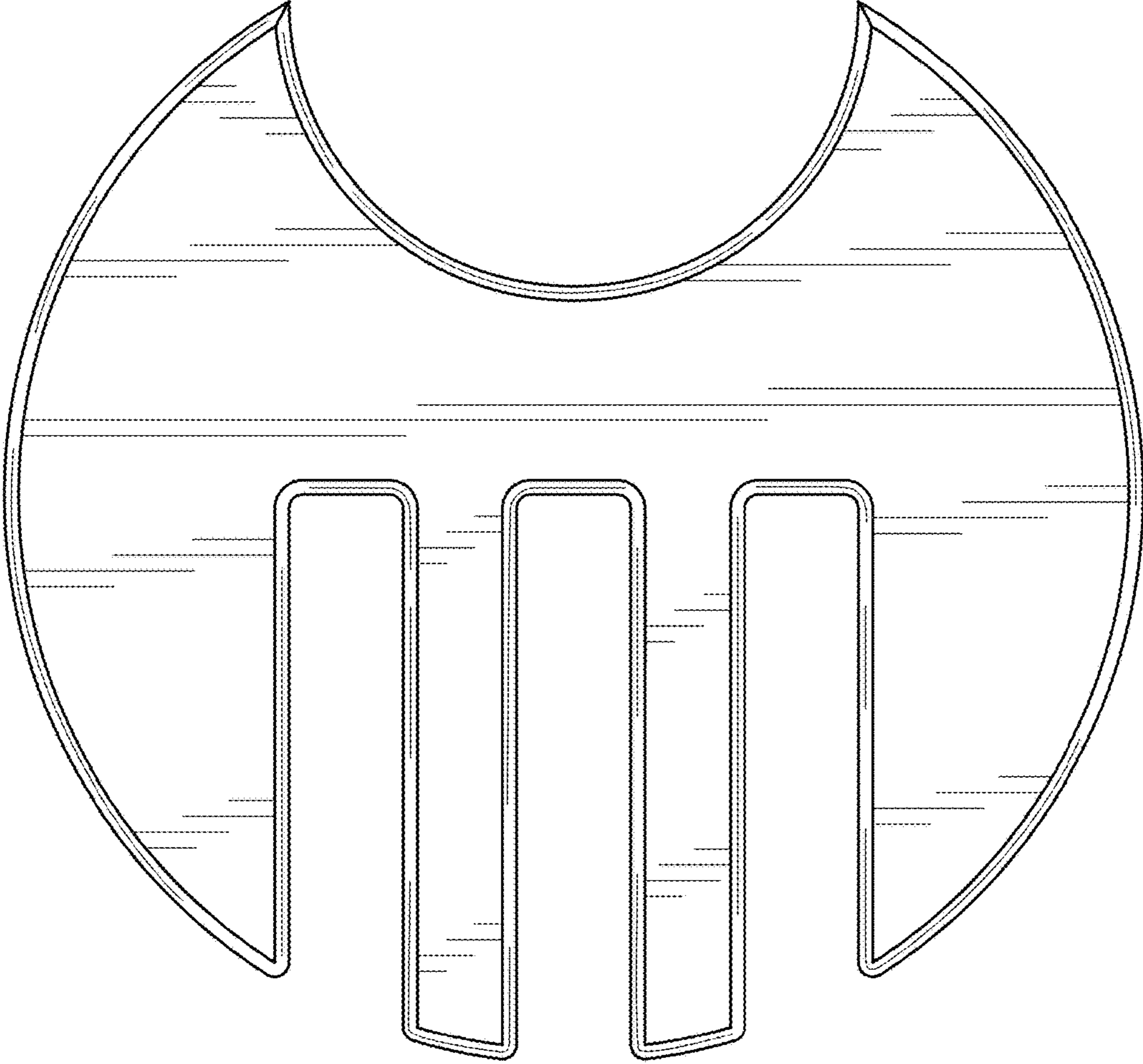


FIG. 7

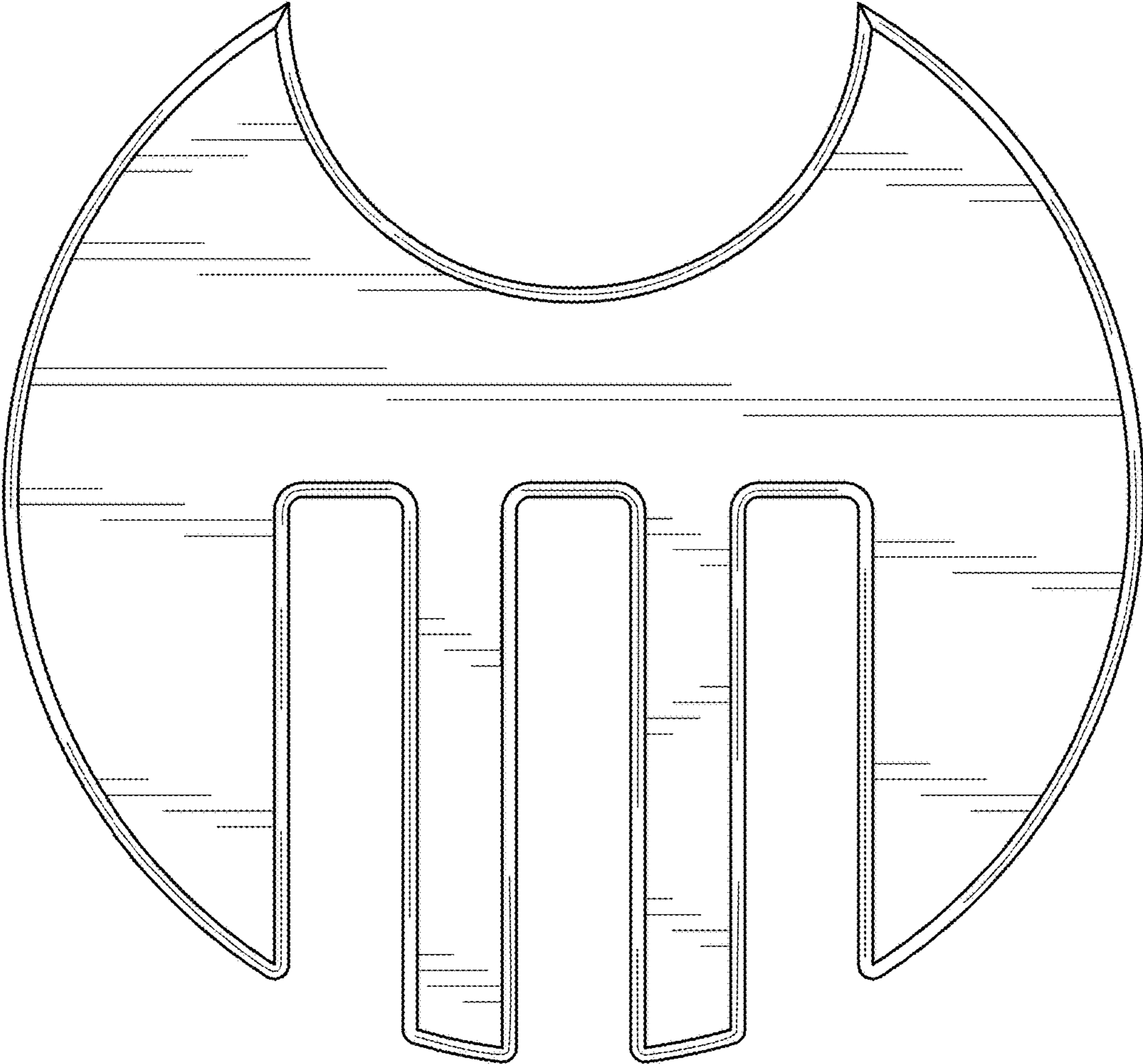


FIG. 8