



US00D826350S

(12) **United States Design Patent**  
**Hochstrasser**

(10) **Patent No.:** **US D826,350 S**  
(45) **Date of Patent:** **\*\* Aug. 21, 2018**

(54) **EXERCISE CONSOLE**

(71) Applicant: **ICON Health & Fitness, Inc.**, Logan, UT (US)  
(72) Inventor: **Ryan Hochstrasser**, Hyrum, UT (US)  
(73) Assignee: **ICON Health & Fitness, Inc.**, Logan, UT (US)

(\*\*) Term: **15 Years**

(21) Appl. No.: **29/564,575**

(22) Filed: **May 13, 2016**

(51) **LOC (11) Cl.** ..... **21-02**

(52) **U.S. Cl.**  
USPC ..... **D21/694**

(58) **Field of Classification Search**  
USPC ..... D21/662, 668, 669, 670, 671  
CPC ..... A63B 24/0062; A63B 24/0087; A63B 24/0075; A63B 22/0605; A63B 2024/0065; A63B 21/225; A63B 21/4034; A63B 21/4035; A63B 2220/12; A63B 22/02; A63B 22/0664; A63B 71/0622; A63B 2024/0068; A63B 2024/0093  
See application file for complete search history.

(56) **References Cited**

**U.S. PATENT DOCUMENTS**

D521,577 S *	5/2006	Wu	.....	D21/669
D531,683 S *	11/2006	Choi	.....	D21/669
D624,975 S *	10/2010	Flick	.....	D21/669
2013/0231219 A1 *	9/2013	Huang	.....	A63B 22/02 482/54
2014/0121066 A1 *	5/2014	Huang	.....	A63B 22/02 482/54
2015/0174444 A1 *	6/2015	Murray	.....	A61B 5/112 482/54

**OTHER PUBLICATIONS**

NordicTrack Commercial 2950 Treadmill - New 22-Inch Display\_NordicTrack, [online], [site visited Aug. 28, 2017]. Available from Internet, URL:https://www.nordictrack.com/treadmills/commercial-2950-treadmill.\*

\* cited by examiner

*Primary Examiner* — Caron D Veynar

*Assistant Examiner* — Katrina N Gonzalez

(74) *Attorney, Agent, or Firm* — Ray Quinney & Nebeker

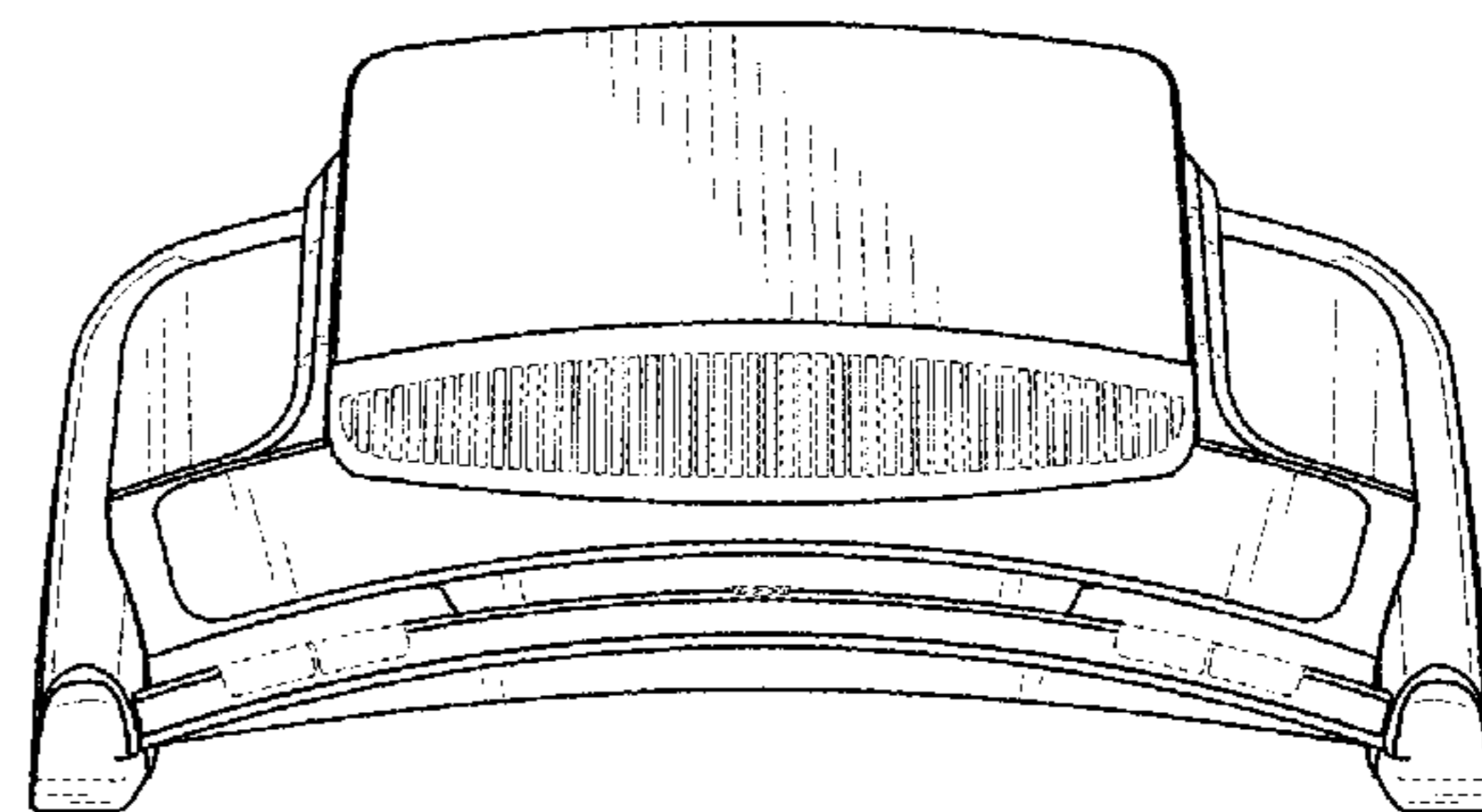
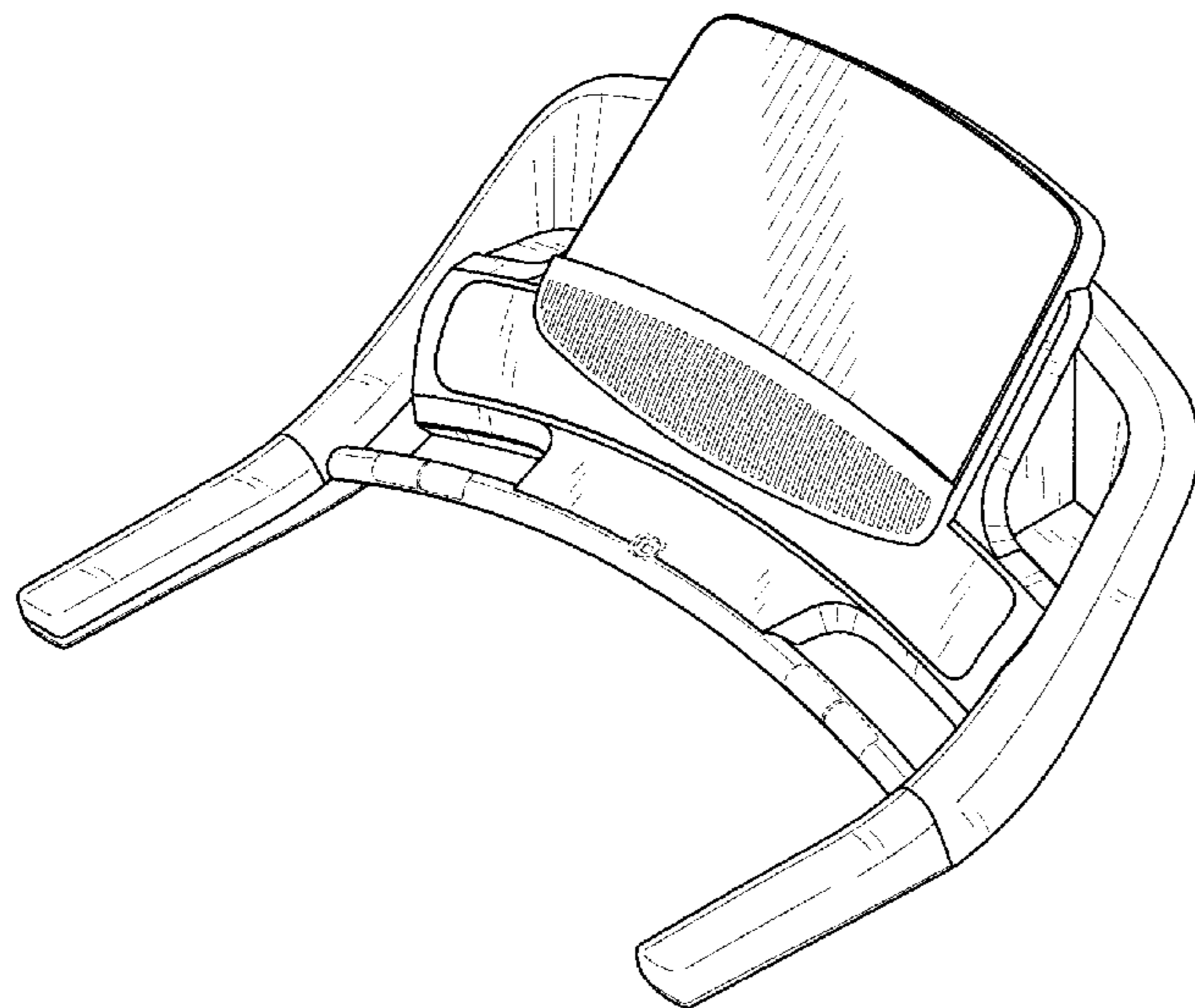
(57) **CLAIM**

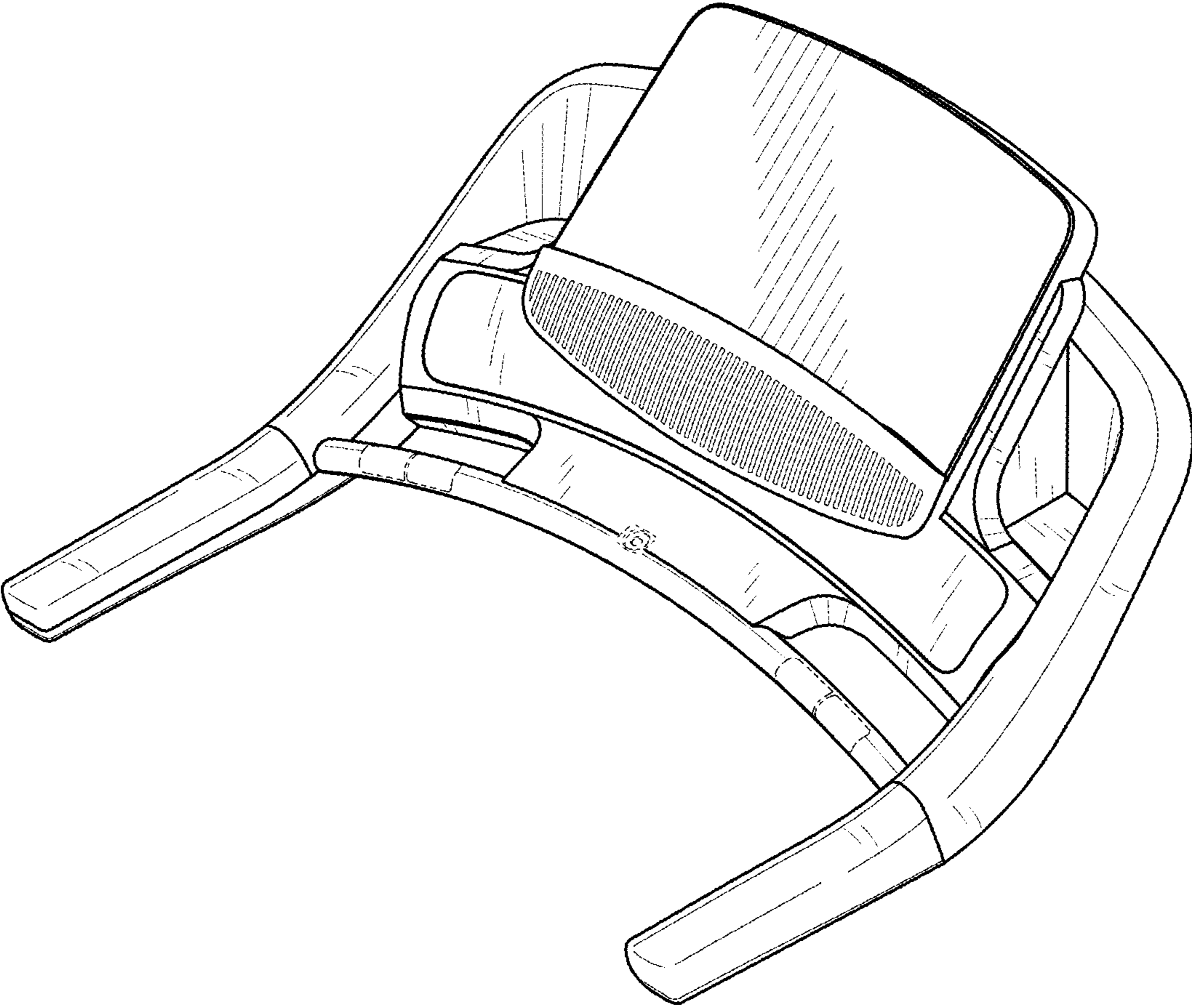
The ornamental design for an exercise console, as shown and described.

**DESCRIPTION**

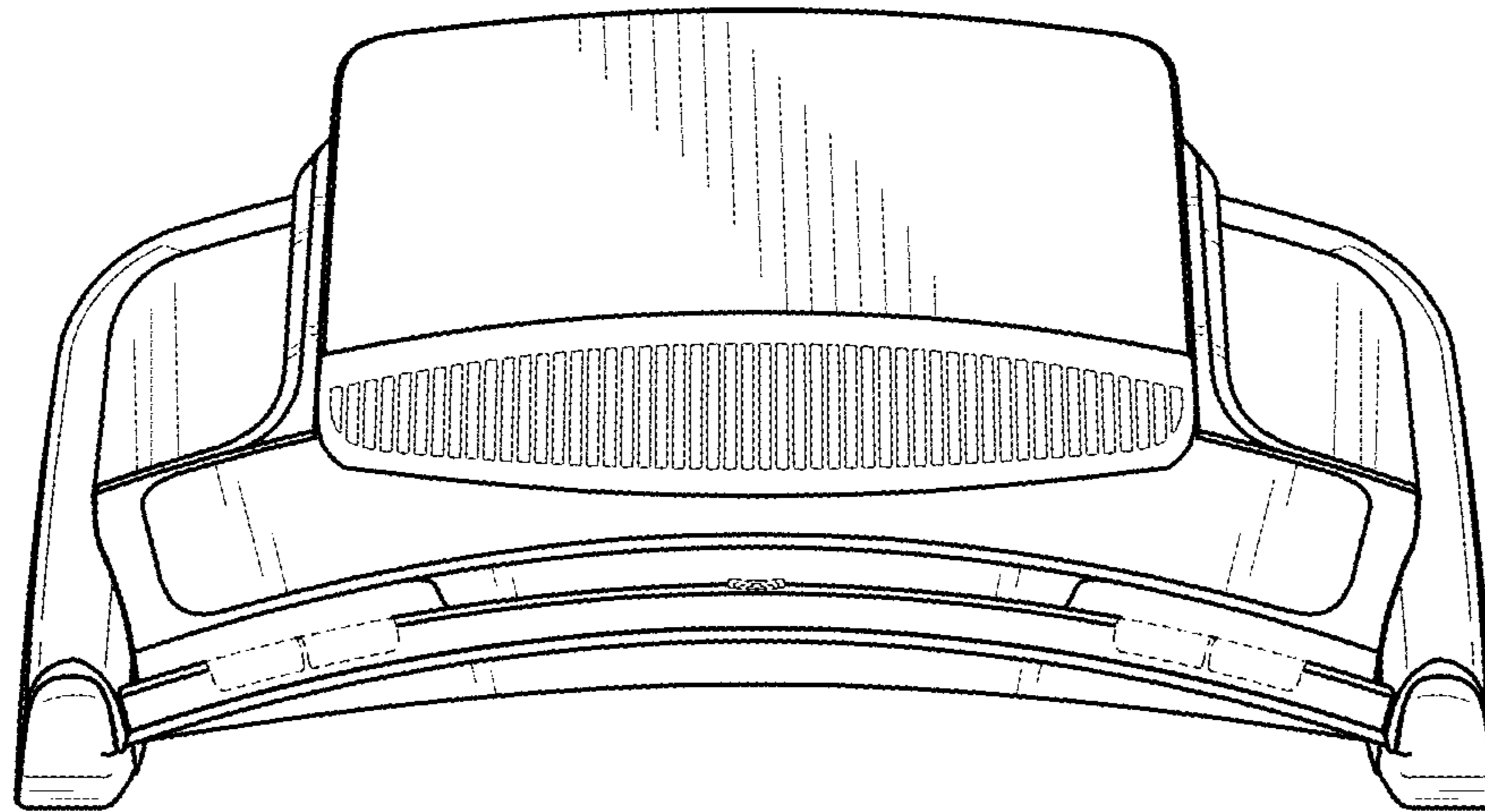
FIG. 1 is a perspective view of an exercise console of the present invention;  
FIG. 2 is a first end view of the exercise console of FIG. 1;  
FIG. 3 is a second end view of the exercise console of FIG. 1;  
FIG. 4 is a right side view of the exercise console of FIG. 1;  
FIG. 5 is a left side view of the exercise console of FIG. 1;  
FIG. 6 is a top view of the exercise console of FIG. 1;  
FIG. 7 is a bottom view of the exercise console of FIG. 1;  
and,  
FIG. 8 is a top perspective view of the exercise console of FIG. 1.  
The broken lines shown represent portions of the exercise console that form no part of the claimed design.

**1 Claim, 5 Drawing Sheets**

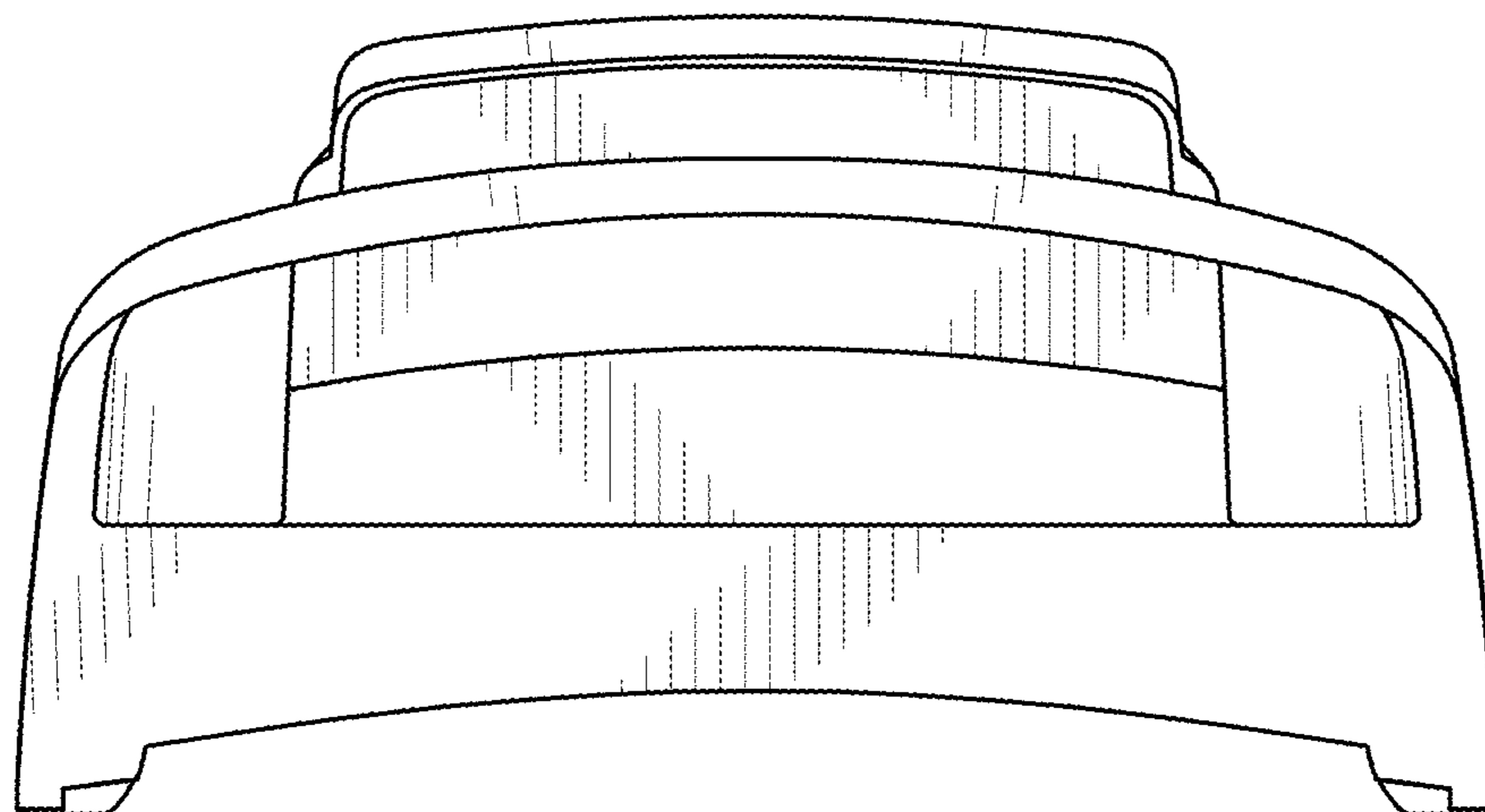




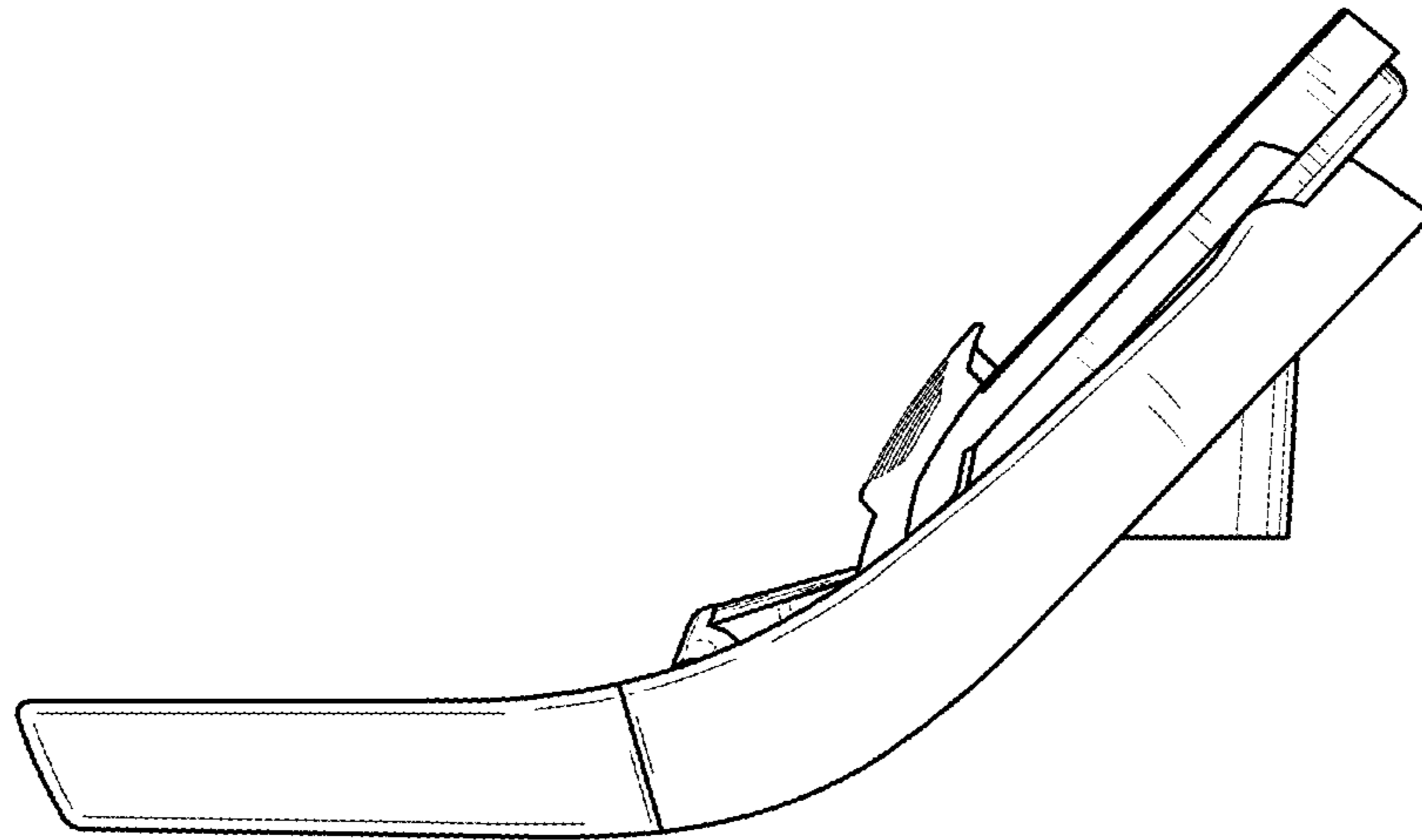
**FIG. 1**



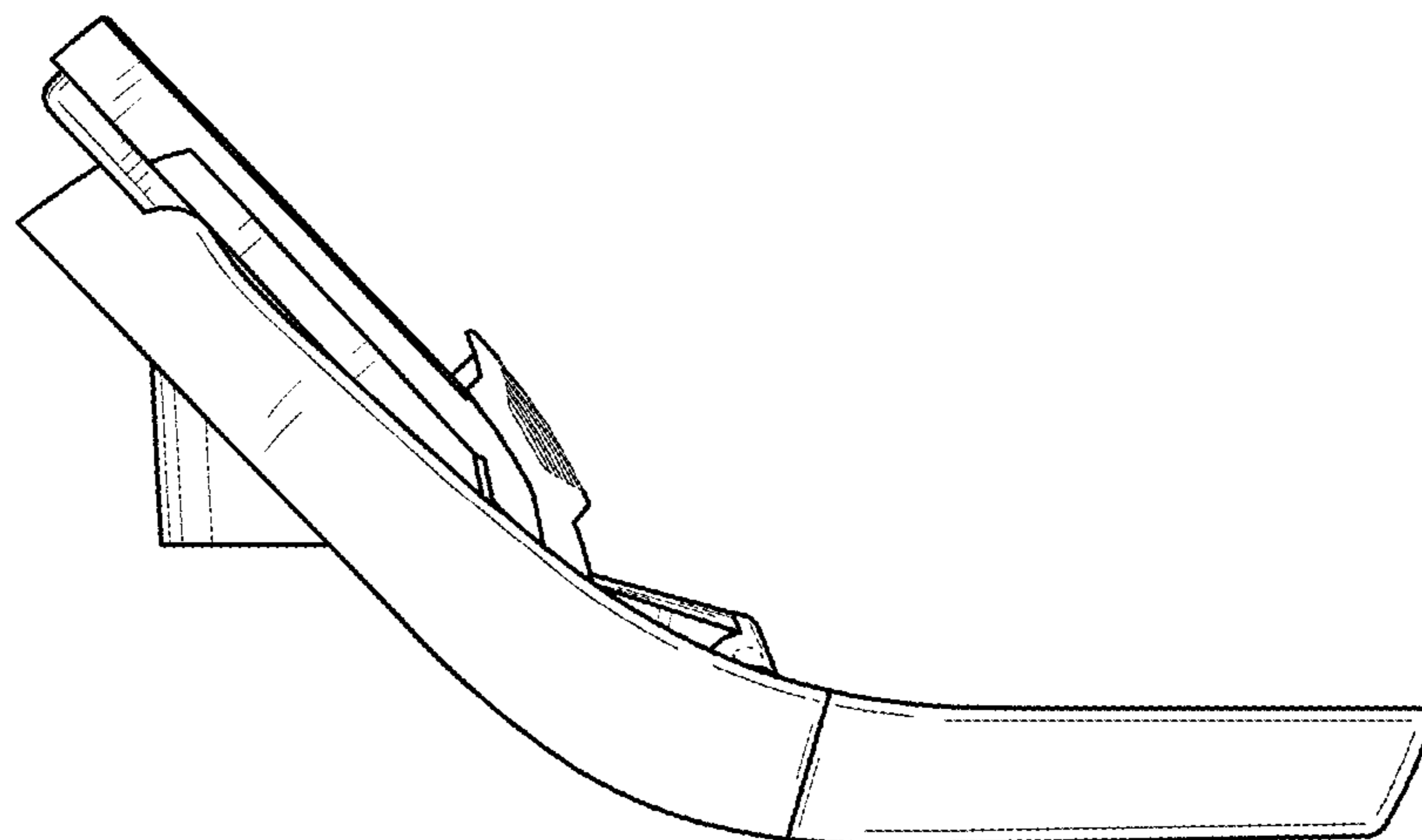
**FIG. 2**



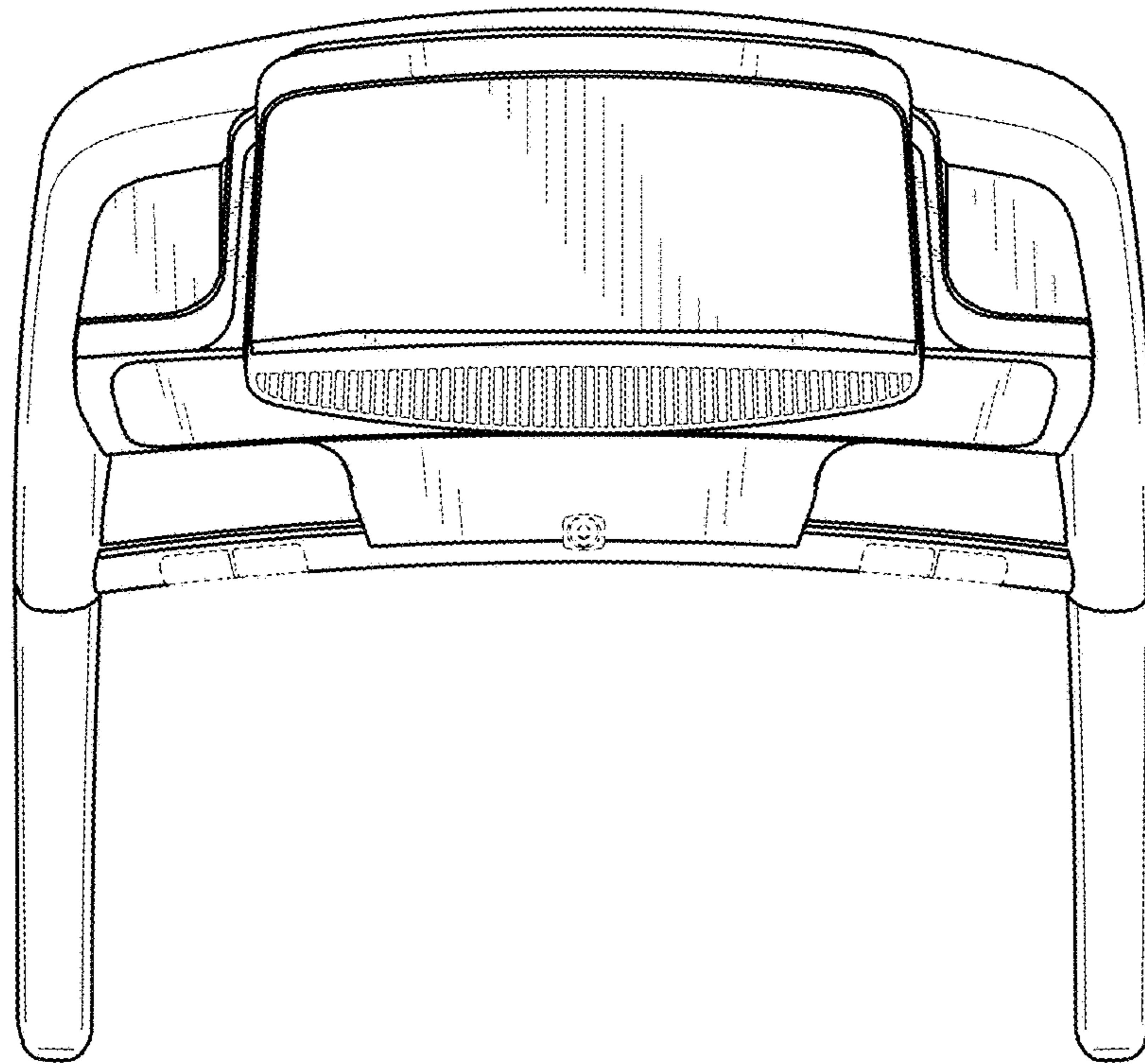
**FIG. 3**



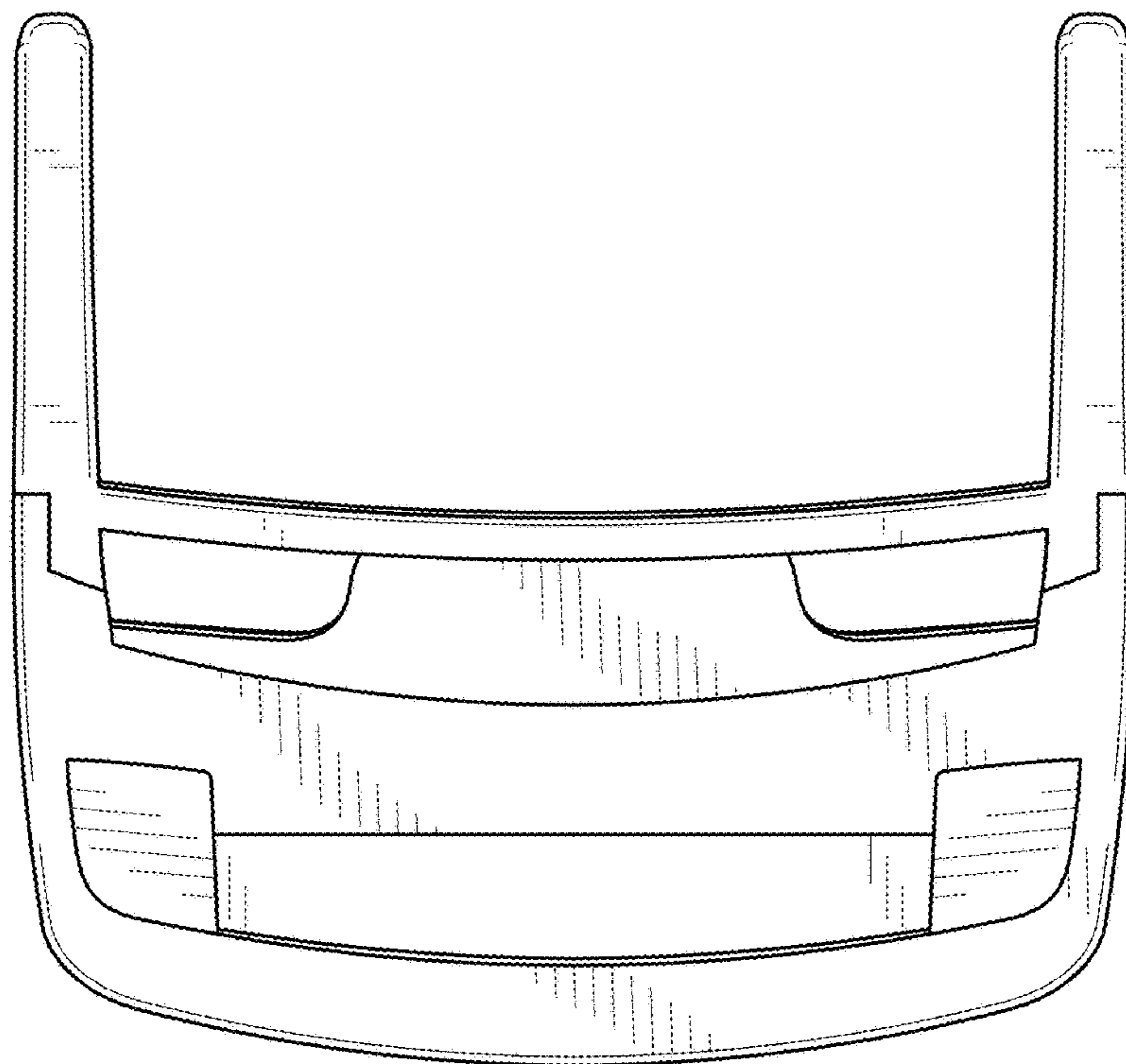
**FIG. 4**



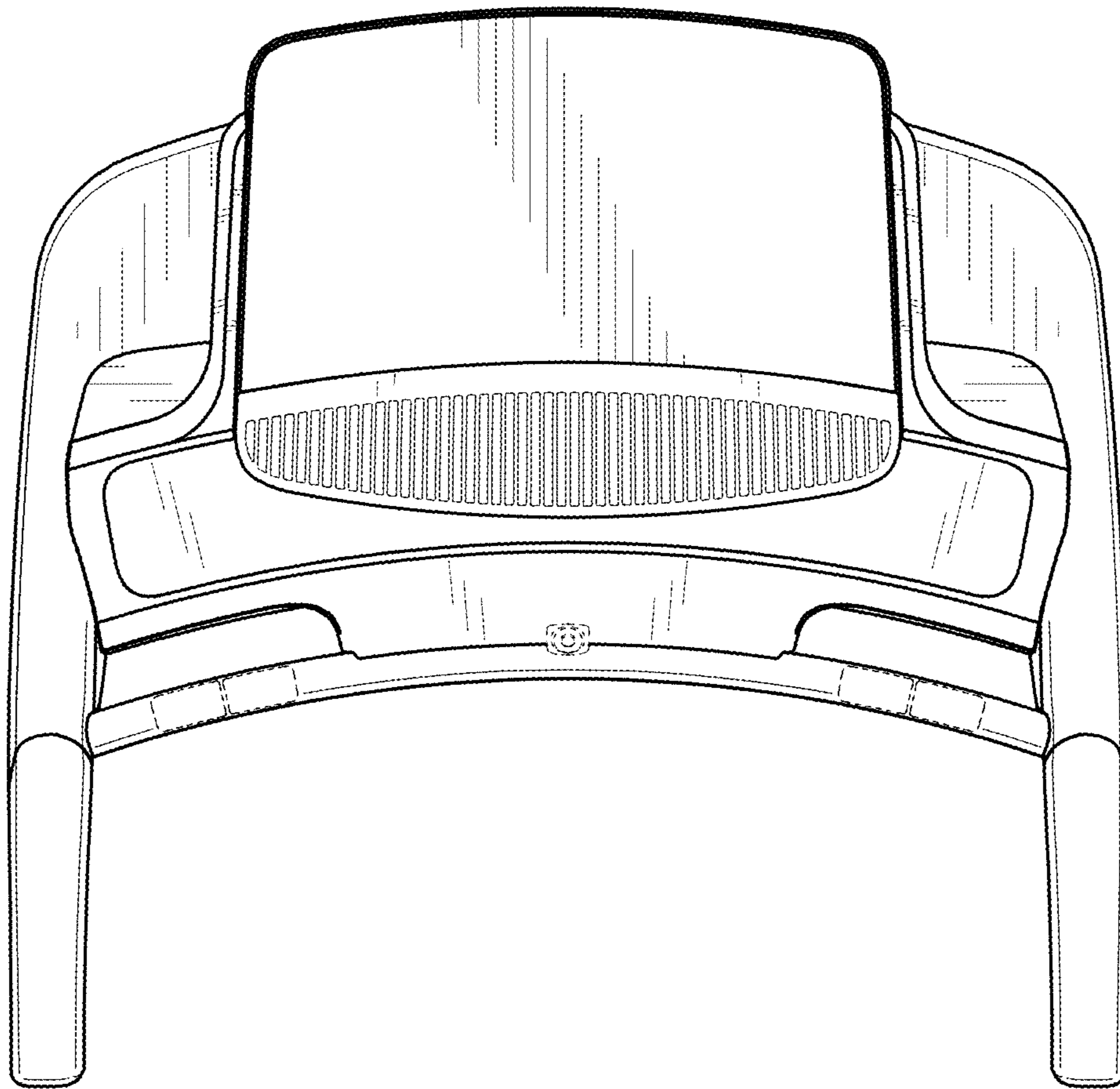
**FIG. 5**



**FIG. 6**



**FIG. 7**



**FIG. 8**