



US00D826349S

(12) **United States Design Patent**
Oblamski et al.

(10) **Patent No.:** **US D826,349 S**

(45) **Date of Patent:** **** Aug. 21, 2018**

(54) **RECUMBENT CYCLE WITH PROVISION FOR UPPER BODY EXERCISE**

FOREIGN PATENT DOCUMENTS

WO WO-2016/191561 A1 12/2016

(71) Applicant: **Woodway USA, Inc.**, Waukesha, WI (US)

OTHER PUBLICATIONS

(72) Inventors: **Nicholas A. Oblamski**, Waukesha, WI (US); **Kasey Mylin**, Milton, WI (US); **David J. Littrell**, Mukilteo, WA (US); **Cole J. Dalton**, Snohomish, WA (US); **Douglas G. Bayerlein**, Oconomowoc, WI (US)

International Search Report and Written Opinion issued in correspondence International Application No. PCT/US2016/034344 dated Aug. 31, 2016.

Primary Examiner — Philip S Hyder

Assistant Examiner — Ryan Harvey

(74) *Attorney, Agent, or Firm* — Foley & Lardner LLP

(73) Assignee: **Woodway USA, Inc.**, Waukesha, WI (US)

(57) **CLAIM**

(**) Term: **15 Years**

We claim the ornamental design for a recumbent cycle with provision for upper body exercise, as shown and described.

(21) Appl. No.: **29/593,444**

DESCRIPTION

(22) Filed: **Feb. 8, 2017**

(51) **LOC (11) Cl.** **21-02**

(52) **U.S. Cl.**
USPC **D21/665**

(58) **Field of Classification Search**
USPC D21/663, 667, 666, 697, 694, 665, 668, D21/664, 690, 676; 482/57, 62, 111, 482/139, 145, 60, 51, 123, 72, 61, 58, 9; 74/502.4, 502.6, 594.2, 594.1, 48; D12/178, 411, 345; D23/382, 381, 378, D23/412, 411; D13/115; D15/7
(Continued)

FIG. 1 is a front perspective view from above of the claimed design;

FIG. 2 is a front side view of the claimed design of FIG. 1;

FIG. 3 is a rear side view of the claimed design of FIG. 1;

FIG. 4 is a right side view of the claimed design of FIG. 1;

FIG. 5 is a left side view of the claimed design of FIG. 1;

FIG. 6 is a top view of the claimed design of FIG. 1; and

FIG. 7 is a bottom view of the claimed design of FIG. 1.

The broken lines in the drawings form no part of the claimed design. The claimed design is shown with a symbolic break in its length. The appearance of any portion of the article between the break lines forms no part of the claimed design.

It is understood that the foot pedals and the hand cranks are mounted for rotational movement about their respective axles such that the relative rotational position of the foot pedals and the hand cranks as seen in the Figures is representative of only one position for each of these elements about their respective axes of rotation.

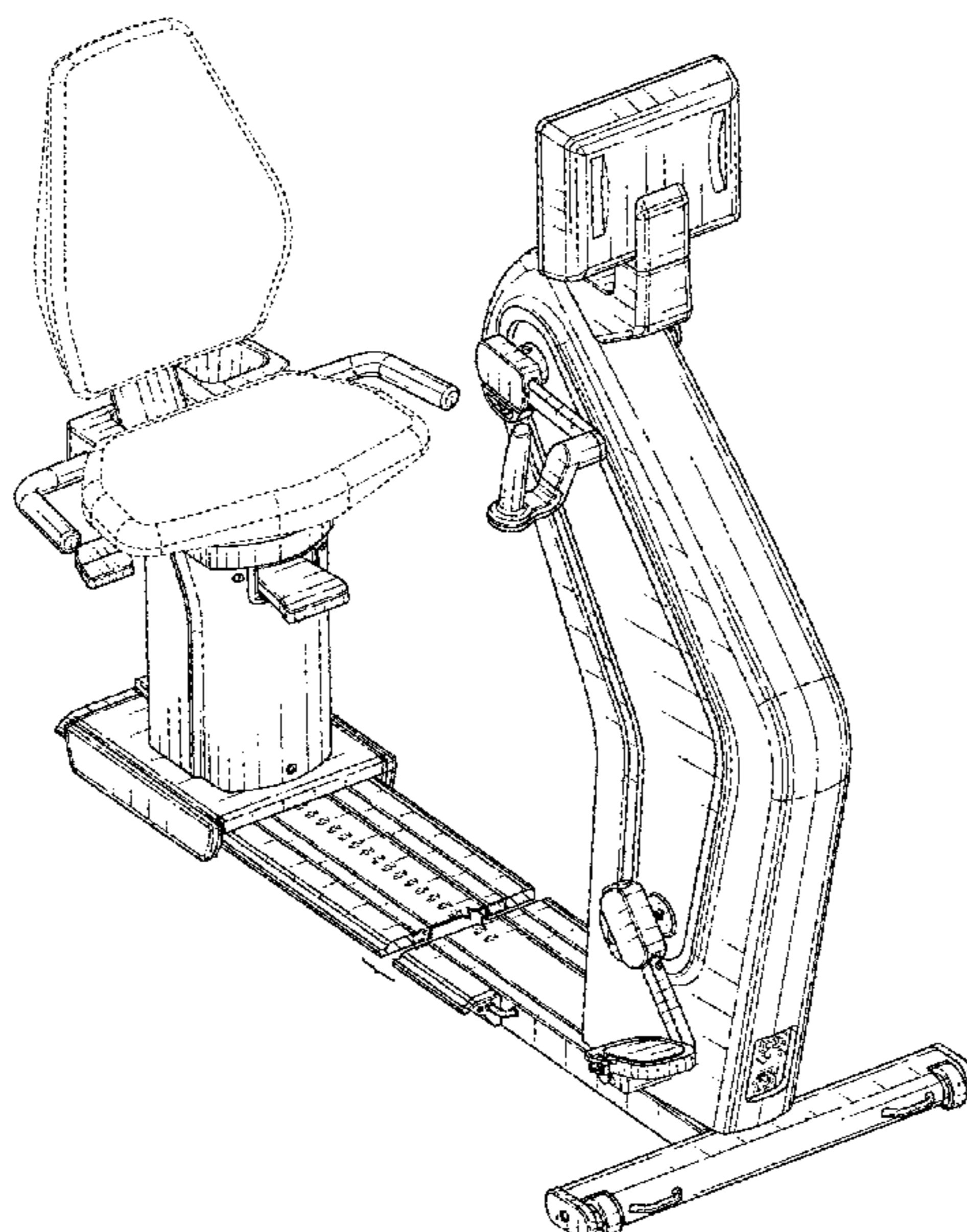
(56) **References Cited**

U.S. PATENT DOCUMENTS

3,824,993 A 7/1974 Grant
4,402,502 A 9/1983 Peters

(Continued)

1 Claim, 7 Drawing Sheets



(58) **Field of Classification Search**
 CPC ... A63B 22/0605; A63B 21/225; A63B 69/16;
 A63B 2225/09; A63B 21/015; A63B
 2022/0652; A63B 22/0012
 See application file for complete search history.

(56) **References Cited**

U.S. PATENT DOCUMENTS

4,612,447 A 9/1986 Rowe
 4,618,141 A 10/1986 Ashworth, Jr.
 4,688,791 A 8/1987 Long
 D305,677 S * 1/1990 Beistegui D21/666
 D308,085 S * 5/1990 Alberta D21/666
 4,976,426 A 12/1990 Szabo et al.
 D316,887 S * 5/1991 Lo D21/666
 D320,826 S * 10/1991 Hildebrandt D21/666
 D324,090 S * 2/1992 Miller D21/666
 D340,758 S * 10/1993 Ueda D21/666
 D342,299 S * 12/1993 Birrell D21/666
 D347,039 S * 5/1994 Littrell D21/666
 D353,422 S * 12/1994 Bostic D21/665
 D355,942 S * 2/1995 Wu D21/666
 D362,699 S * 9/1995 Heaton D21/666
 D367,688 S * 3/1996 Dixon D21/665
 D380,795 S * 7/1997 Wang D21/663
 D403,032 S * 12/1998 Huang D21/666
 5,906,563 A 5/1999 Pittari
 6,001,046 A * 12/1999 Chang A63B 22/0605
 482/57
 D437,369 S * 2/2001 Tsushi D21/663
 D439,289 S * 3/2001 Moran D21/666
 D461,210 S * 8/2002 Fon D21/666

D479,865 S * 9/2003 Arai D21/666
 6,652,425 B1 * 11/2003 Martin A63B 21/0552
 482/123
 6,840,892 B1 * 1/2005 Wu A63B 21/00181
 482/51
 6,902,515 B2 6/2005 Howell et al.
 D513,421 S * 1/2006 Nagano D21/666
 D515,152 S * 2/2006 Corbalis D21/666
 D521,085 S * 5/2006 Kuo D21/666
 D528,172 S * 9/2006 Bingham, Jr. D21/666
 D539,857 S * 4/2007 Bingham, Jr. D21/697
 D553,698 S * 10/2007 Pyles D21/666
 D564,052 S * 3/2008 Brietlow D21/697
 7,510,512 B1 3/2009 Taggett
 7,736,281 B2 * 6/2010 Corbalis A63B 22/0605
 248/444.1
 D621,889 S * 8/2010 Horita D21/663
 D637,245 S * 5/2011 Huber D21/666
 D640,337 S * 6/2011 Liu D21/666
 D650,870 S * 12/2011 Citterio D21/663
 8,328,214 B2 12/2012 Yang
 D717,889 S * 11/2014 Alessandri D21/663
 D750,715 S * 3/2016 Takaoka D21/666
 D797,215 S * 9/2017 Suzuki D21/666
 2006/0234834 A1 * 10/2006 Kuo A63B 22/0605
 482/57
 2006/0234835 A1 * 10/2006 Kuo A63B 21/154
 482/57
 2006/0287167 A1 * 12/2006 Bingham, Jr. A63B 22/0605
 482/57
 2007/0066449 A1 * 3/2007 Kuo A63B 22/001
 482/57

* cited by examiner

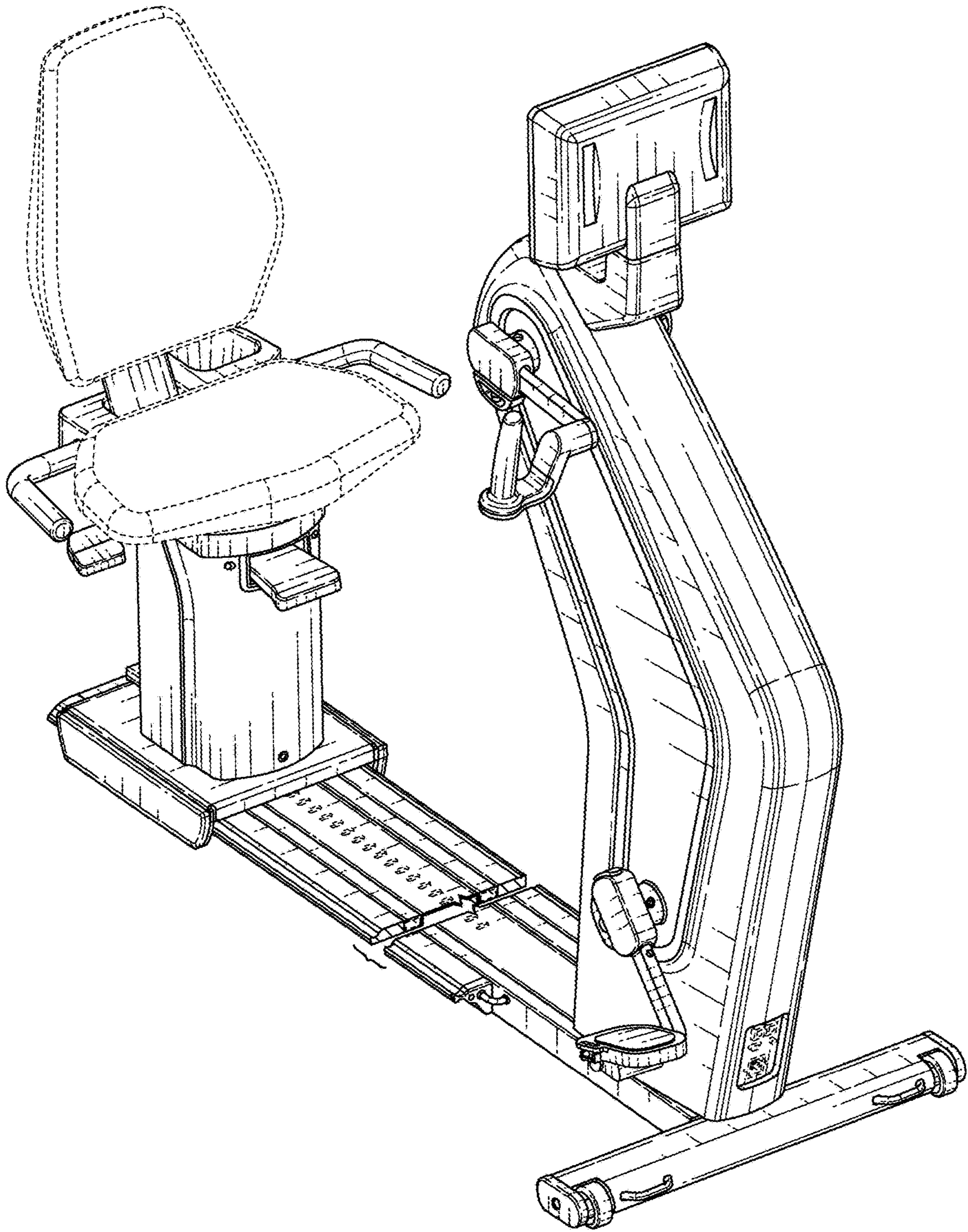


FIG. 1

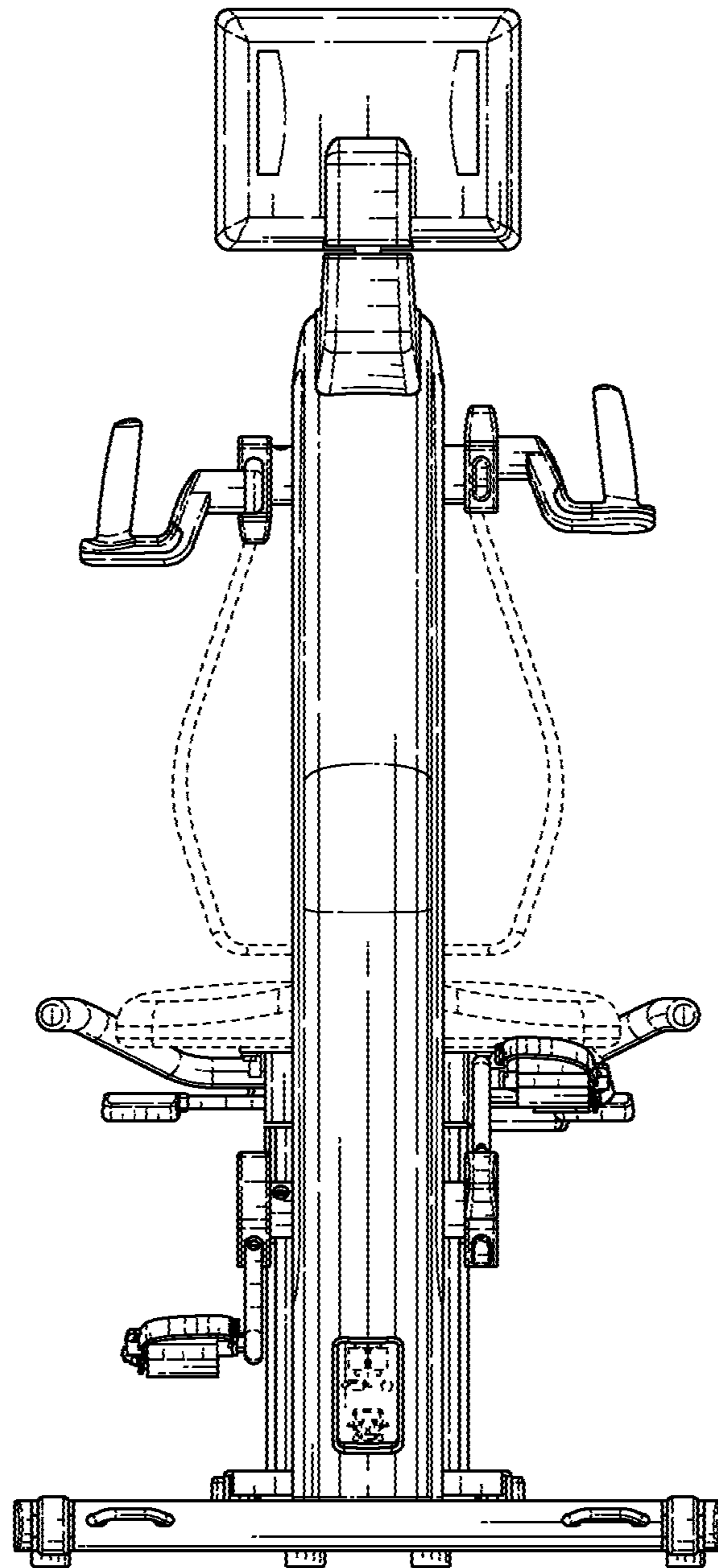


FIG. 2

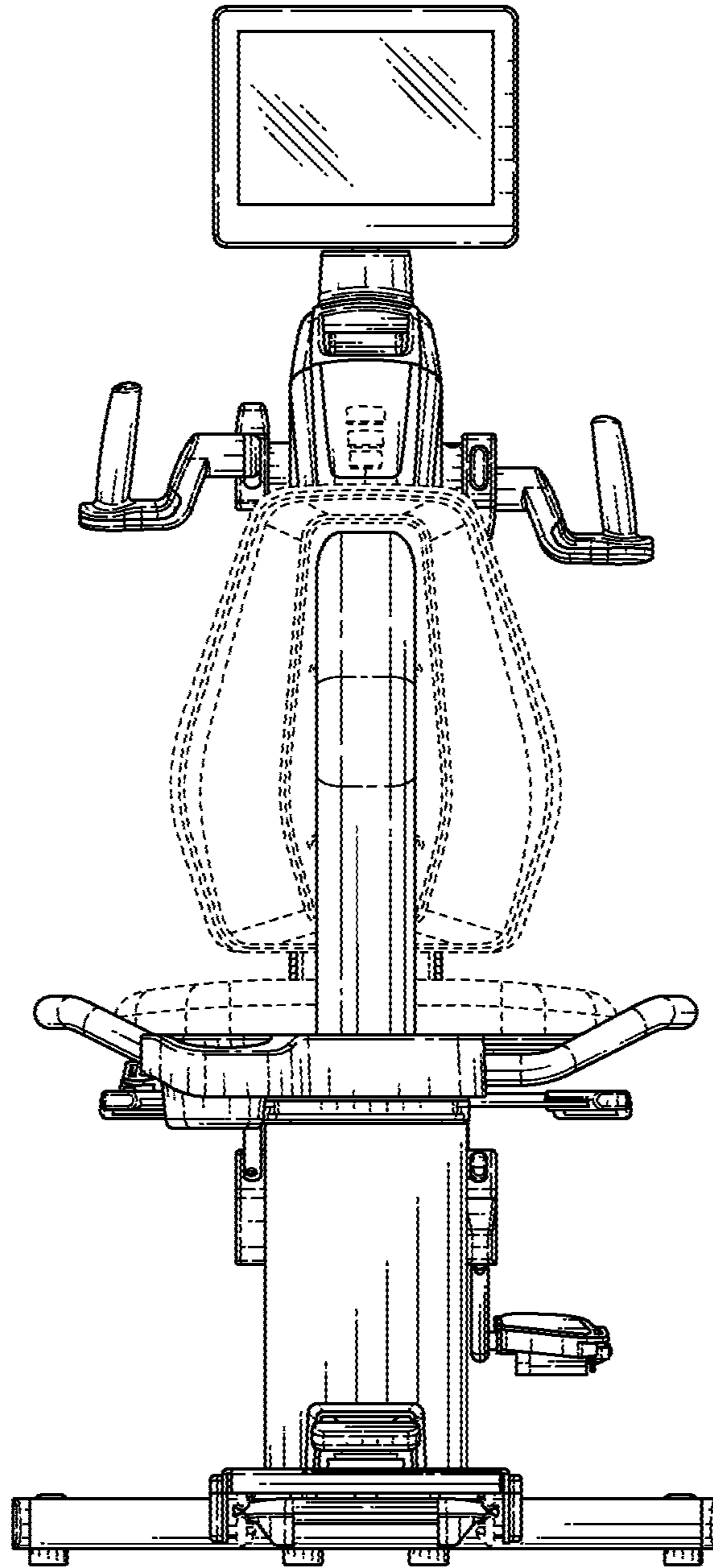


FIG. 3

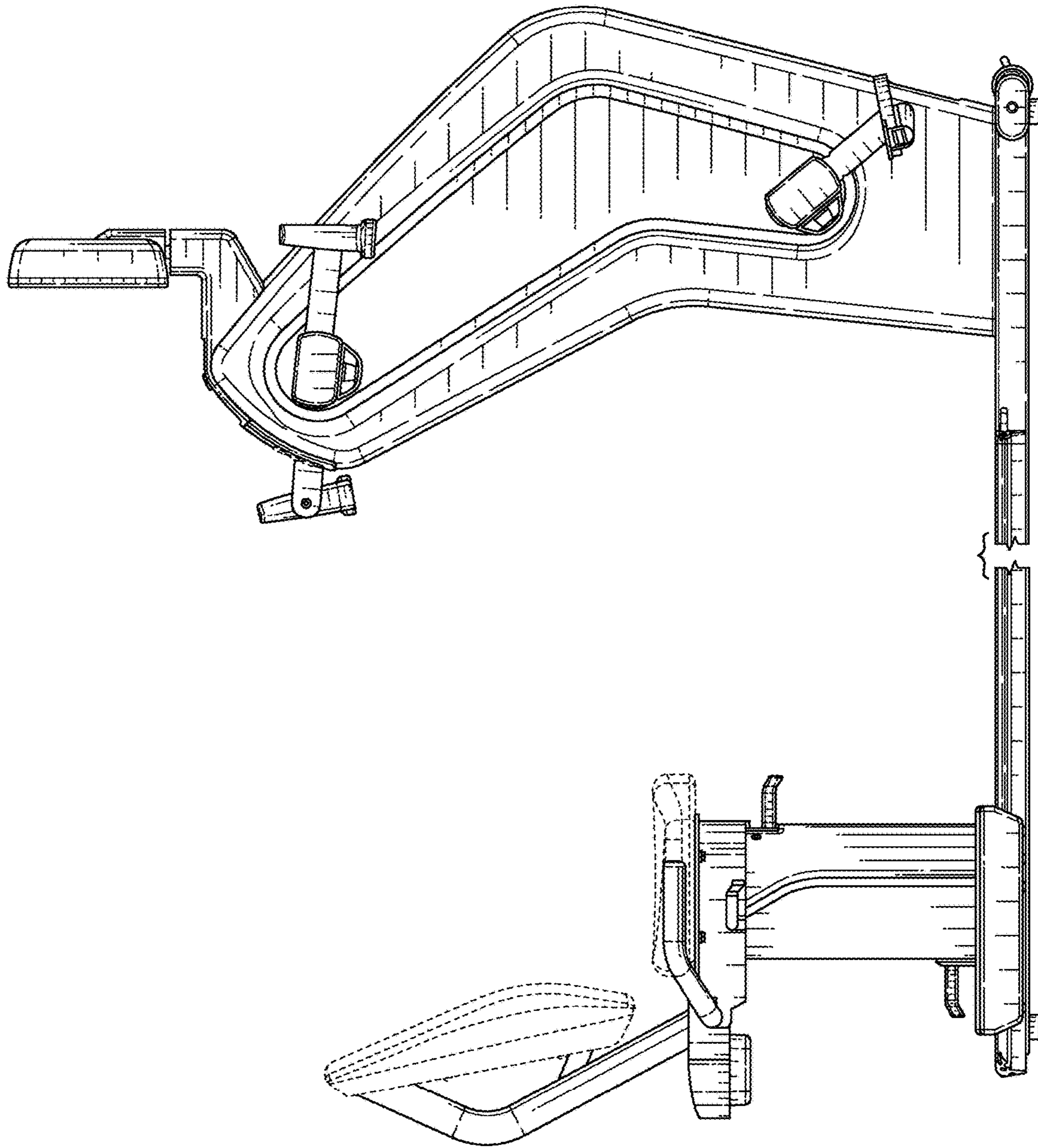
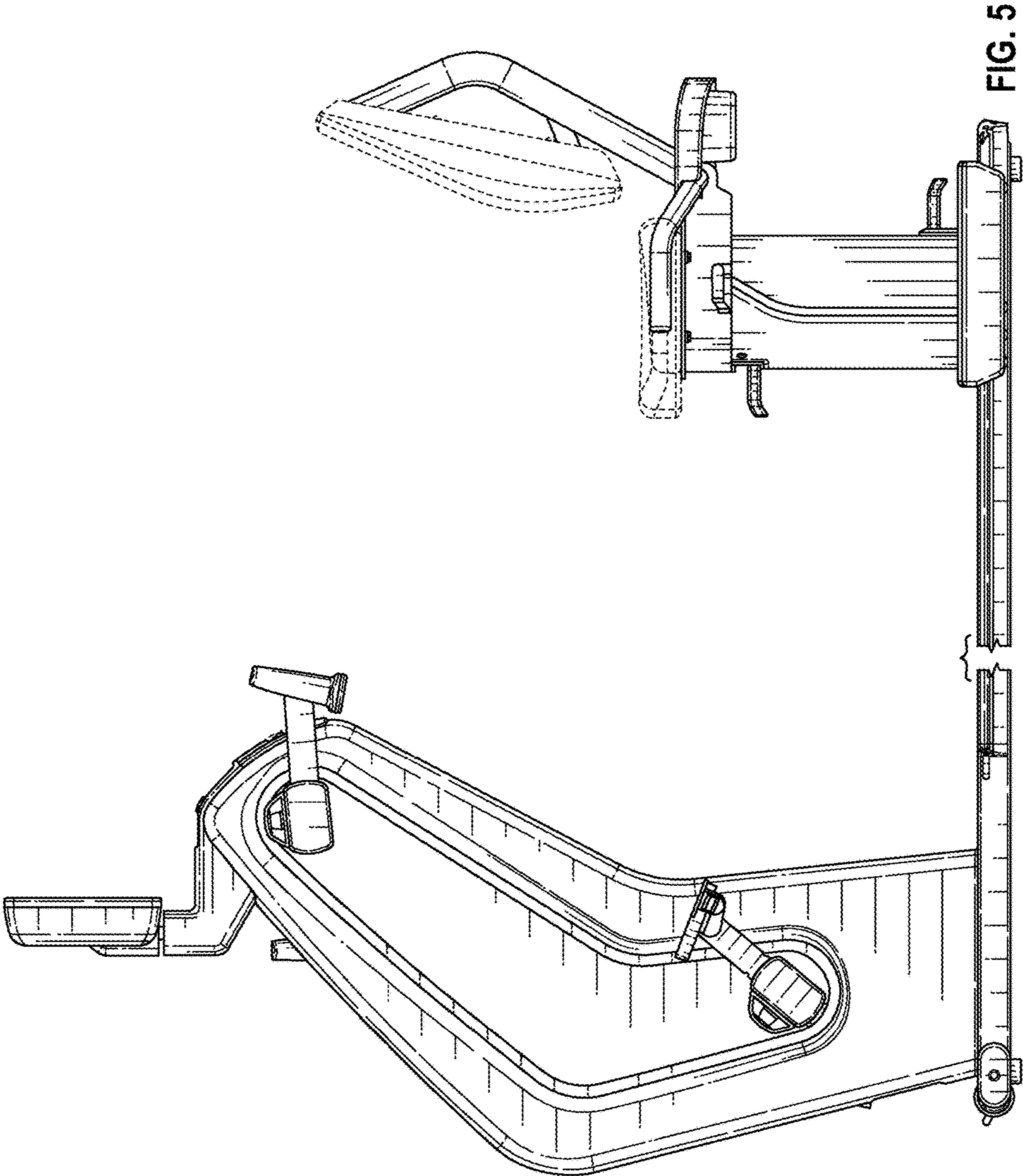


FIG. 4



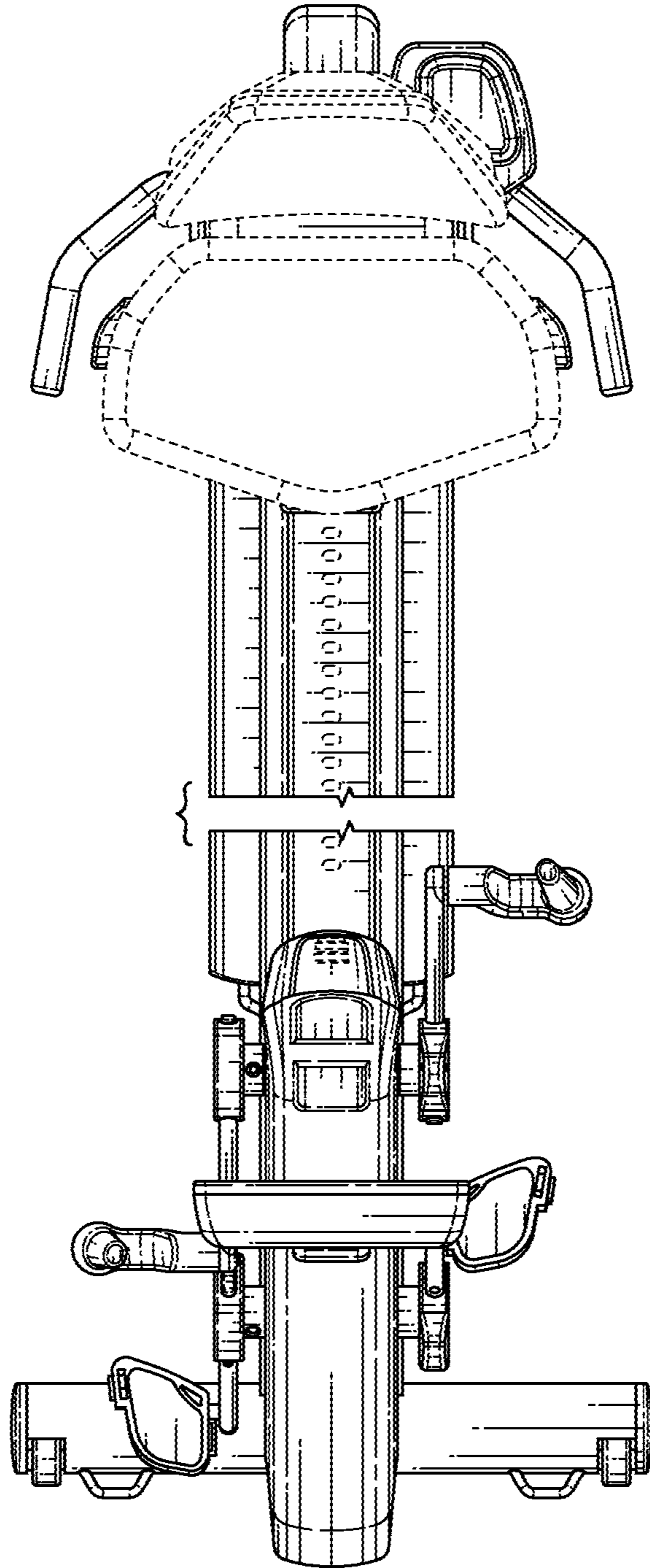


FIG. 6

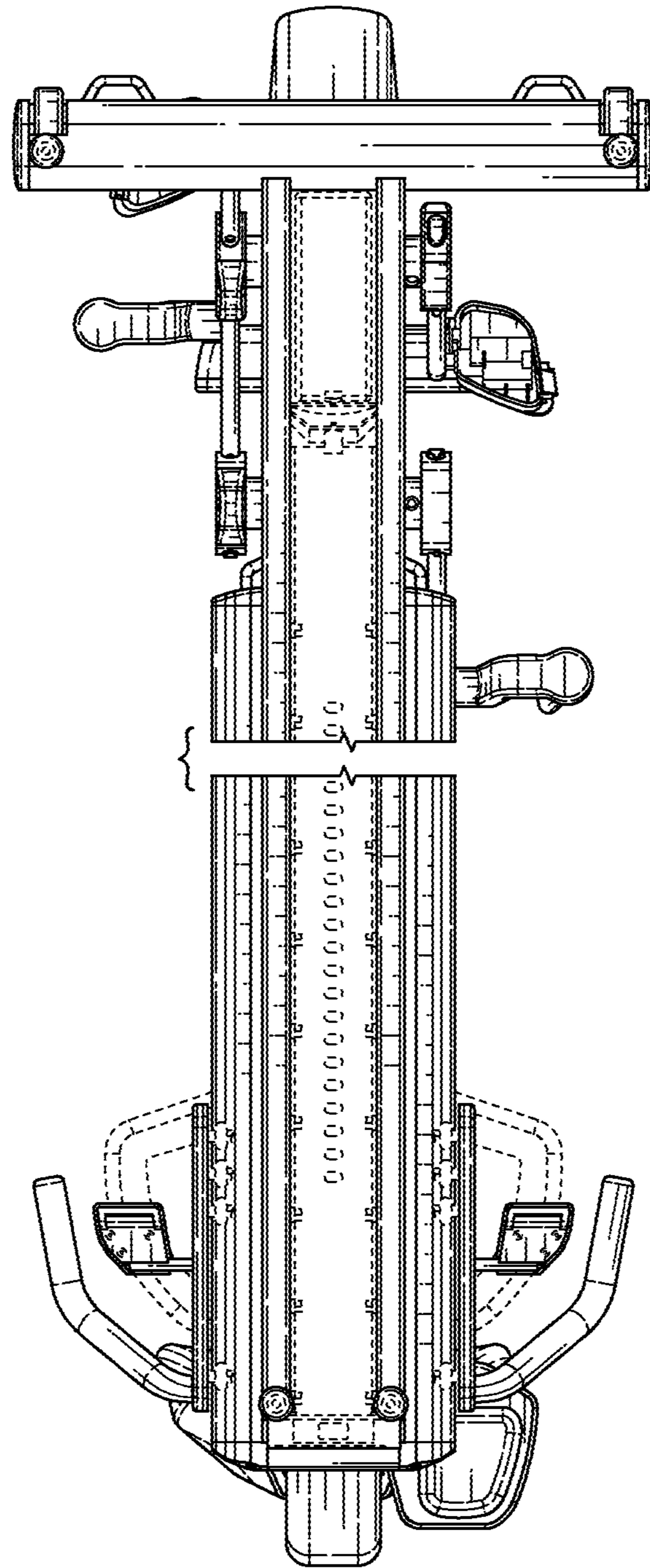


FIG. 7