



US00D826340S

(12) **United States Design Patent**
Ewing et al.

(10) **Patent No.:** **US D826,340 S**
(45) **Date of Patent:** **** Aug. 21, 2018**

(54) **AXLE CARRIER FOR A MODEL VEHICLE**

(71) Applicant: **TRAXXAS LP**, McKinney, TX (US)

(72) Inventors: **Adam Cole Ewing**, McKinney, TX (US); **Otto Karl Allmendinger**, Rowlett, TX (US)

(73) Assignee: **Traxxas, LP**, McKinney, TX (US)

(**) Term: **15 Years**

(21) Appl. No.: **29/540,015**

(22) Filed: **Sep. 19, 2015**

(51) **LOC (11) Cl.** **21-01**

(52) **U.S. Cl.**
USPC **D21/561**

(58) **Field of Classification Search**
USPC D21/398, 533, 548, 549, 550, 551, 552, D21/557, 560, 561, 562, 580, 581; 446/154, 164, 231, 233, 236-242, 265, 446/266, 273, 437, 462, 465, 470
CPC A63H 17/00; A63H 17/002; A63H 17/004; A63H 17/26; A63H 17/262; A63H 17/264; A63H 17/266; A63H 17/34; A63H 17/36; A63H 17/38; A63H 29/00; A63H 29/16; A63H 29/165; A63H 29/22; A63H 29/24

See application file for complete search history.

(56) **References Cited**

U.S. PATENT DOCUMENTS

1,377,905 A	5/1921	Martz
1,455,706 A	5/1923	Bower et al.
2,041,992 A	5/1936	Noel
2,083,085 A	6/1937	Marley
2,132,545 A	10/1938	Smith
2,547,435 A	4/1951	Bouchard
3,306,077 A	2/1967	Piatti
3,333,654 A	8/1967	Price-Stephens
3,767,221 A	10/1973	Asberg

D242,442 S	11/1976	Garrison	
4,509,932 A	4/1985	Weible	
4,632,203 A	12/1986	Krude	
4,690,656 A *	9/1987	Friedman A63H 17/262 446/424
D304,472 S *	11/1989	Poulsen D21/561
D304,473 S *	11/1989	Poulsen D21/561

(Continued)

OTHER PUBLICATIONS

Unknown, Axial SCX10 II; Aug. 2016.

(Continued)

Primary Examiner — Cynthia M Chin

(74) *Attorney, Agent, or Firm* — Daryl R. Wright; Greg Carr

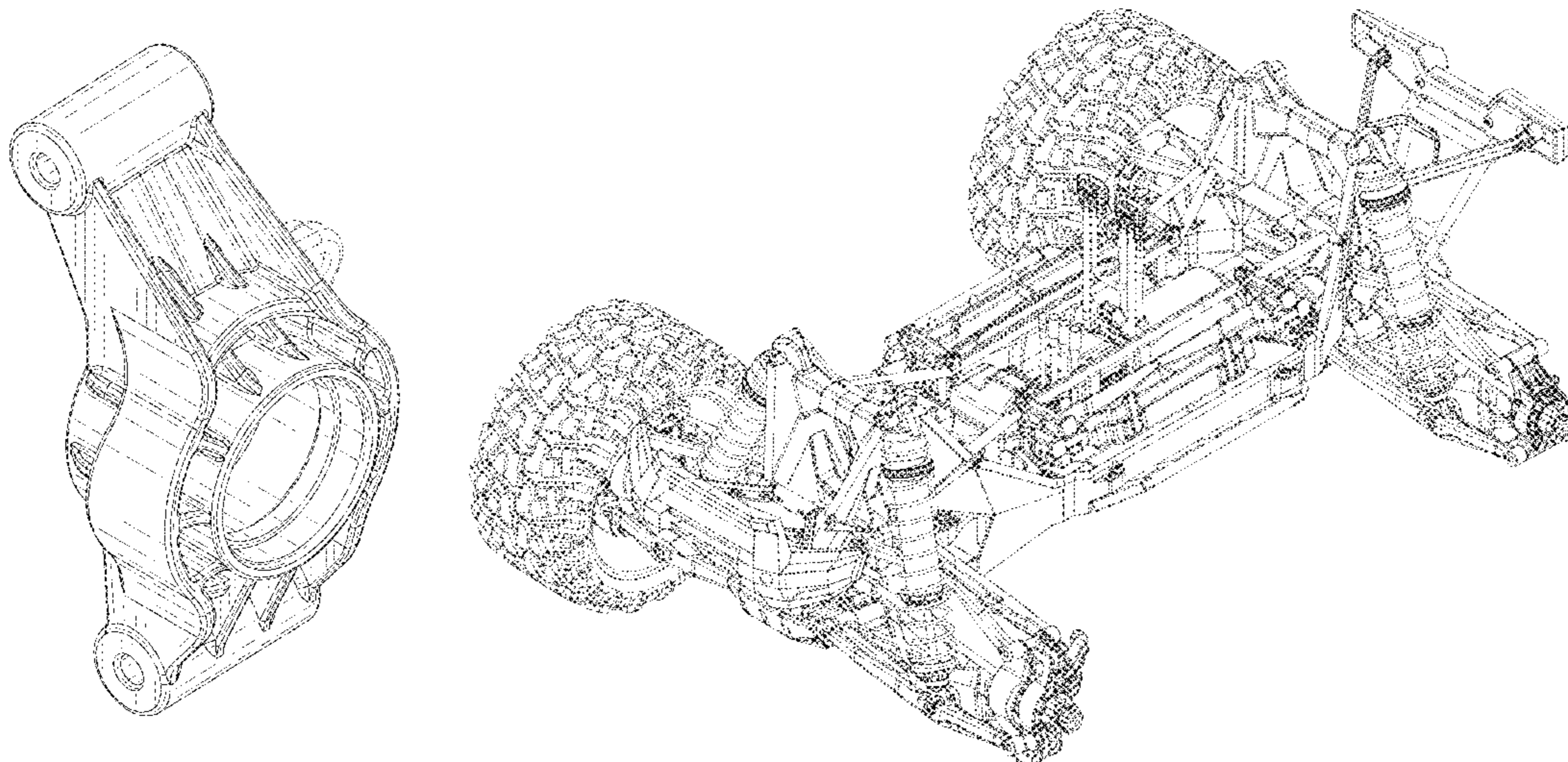
(57) **CLAIM**

We claim the ornamental design for an axle carrier for a model vehicle, as shown and described.

DESCRIPTION

FIG. 1 is a right elevation view of an axle carrier for a model vehicle;
 FIG. 2 is a left elevation view thereof;
 FIG. 3 is a rear elevation view thereof;
 FIG. 4 is a front side elevation view thereof;
 FIG. 5 is a top plan view thereof;
 FIG. 6 is a bottom plan view thereof;
 FIG. 7 is a top, front, left perspective view thereof;
 FIG. 8 is a top, front, left perspective environmental view thereof; and,
 Figure 9 is an enlarged detail top, front, left environmental view thereof, taken from the lower right section of FIG. 8. Structural elements depicted by broken lines have been shown for the purpose of illustrating portions of the axle carrier for a model vehicle and its environment that form no part of the claimed design.

1 Claim, 6 Drawing Sheets



(56)

References Cited

U.S. PATENT DOCUMENTS

D311,942 S * 11/1990 Dideriksen D21/561
 D332,978 S * 2/1993 Tsuchiya D21/562
 D341,560 S 11/1993 Fabris et al.
 5,338,247 A * 8/1994 Miles A63H 17/262
 180/56
 5,498,208 A 3/1996 Braun
 D403,023 S * 12/1998 Araki D21/562
 5,954,586 A 9/1999 Kirson
 6,394,878 B1 * 5/2002 Wang A63H 17/262
 446/454
 6,416,136 B1 7/2002 Smith
 6,478,709 B1 11/2002 Irwin et al.
 6,513,614 B2 2/2003 Knutson et al.
 6,773,353 B2 8/2004 Cornay et al.
 6,820,707 B1 11/2004 Cantemir
 7,144,326 B2 12/2006 Thompson
 7,810,604 B2 10/2010 Byers et al.
 7,841,923 B2 * 11/2010 Marzetta A63H 17/262
 180/349
 D686,677 S 7/2013 Simonds
 8,574,022 B2 * 11/2013 Grisolia A63H 17/004
 446/437
 2002/0065021 A1 * 5/2002 Wang A63H 17/262
 446/454

2002/0160688 A1 * 10/2002 Rehkemper A63H 3/28
 446/301
 2002/0165031 A1 11/2002 Riefe
 2004/0005931 A1 1/2004 Wang et al.
 2004/0231910 A1 11/2004 Mercier et al.
 2005/0206222 A1 9/2005 Swanson
 2006/0240897 A1 10/2006 Carlini et al.
 2007/0293327 A1 12/2007 Mazziotti
 2008/0238015 A1 10/2008 Duddling et al.
 2009/0039700 A1 2/2009 Gradu et al.
 2011/0001350 A1 1/2011 Schmitz et al.
 2011/0057408 A1 3/2011 Koschinat
 2013/0278047 A1 10/2013 Gottschalk
 2017/0028517 A1 2/2017 Ferrari
 2017/0370465 A1 12/2017 Fast et al.

OTHER PUBLICATIONS

Unknown, Bomber Fabrication Gusset Kit; Aug. 2016.
 Unknown, Dana 44 Axle; Aug. 2016.
 Unknown, Currie RockJock 79 Axle; Aug. 2016.
 Unknown, Reid Racing Azle Products; Aug. 2016.
 Unknown, Xray; "T1R Raycer-Instruction Manual;" Xray Model
 Racing Cars, Trencin, Slovak Republic, Europe (admitted prior art).
 Traxxas; "T-Maxx Assemblies-Front Assembly;" Traxxas LP,
 Plano, Texas (admitted prior art).

* cited by examiner

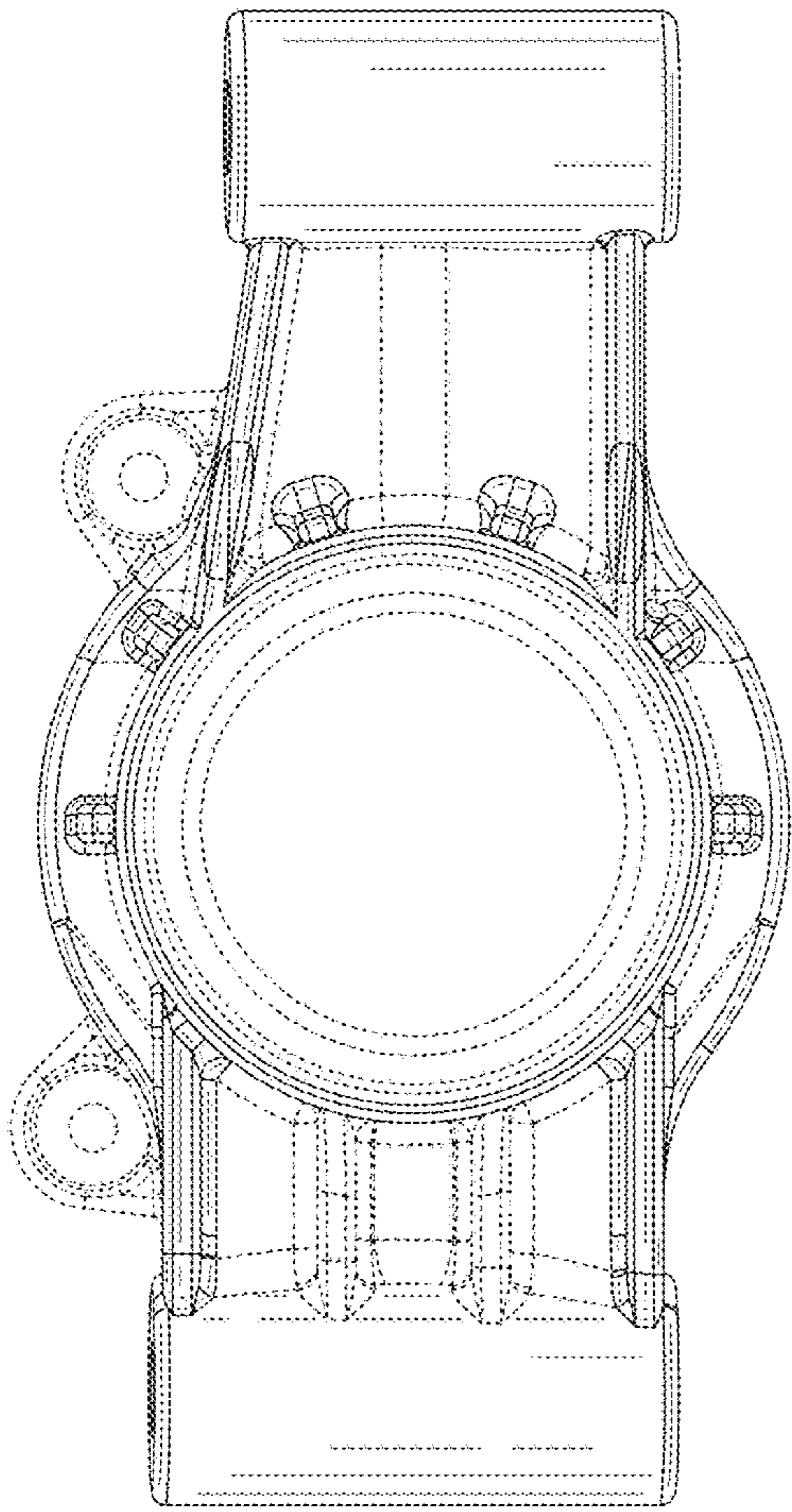


FIG. 1

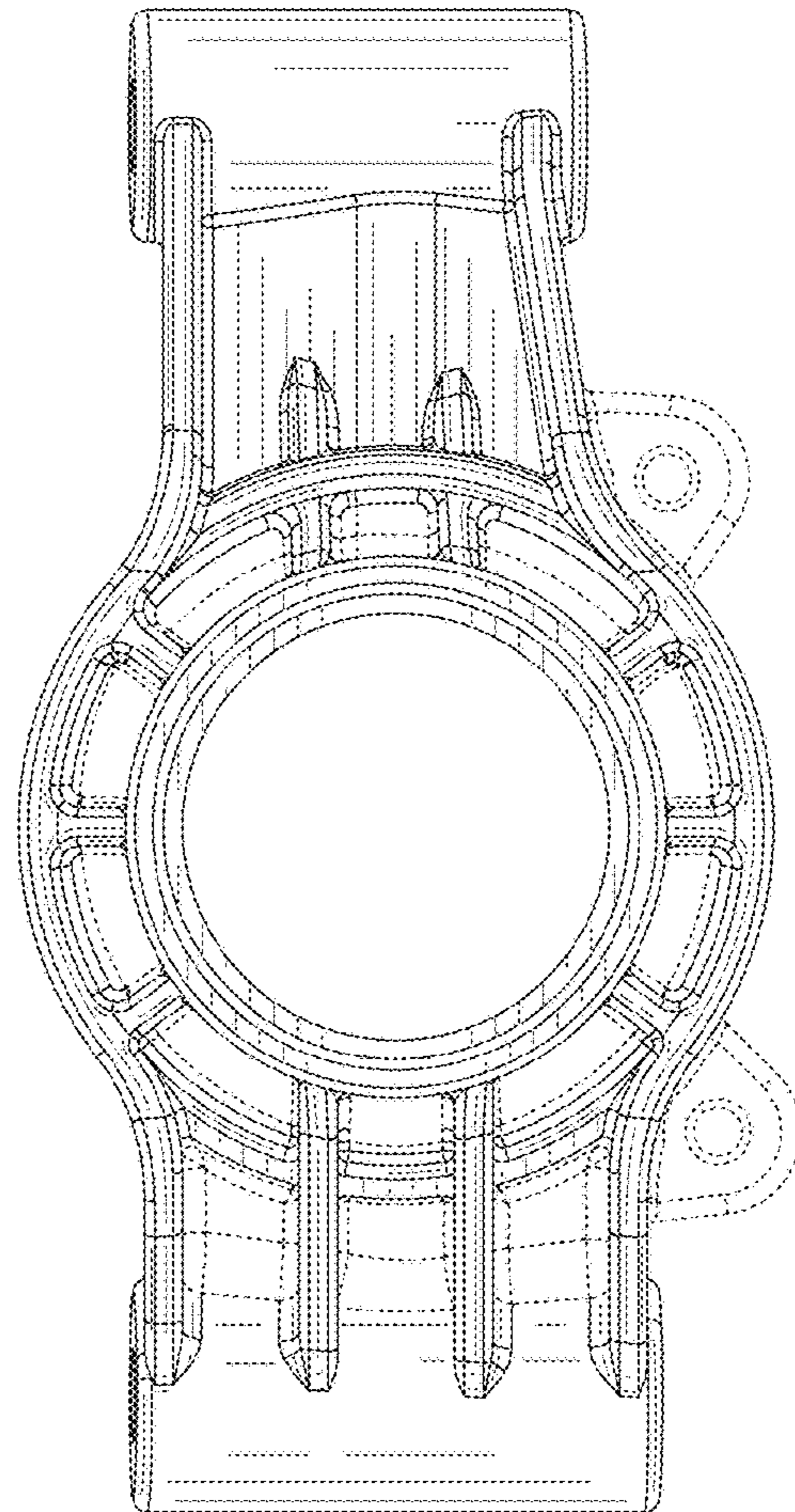


FIG. 2

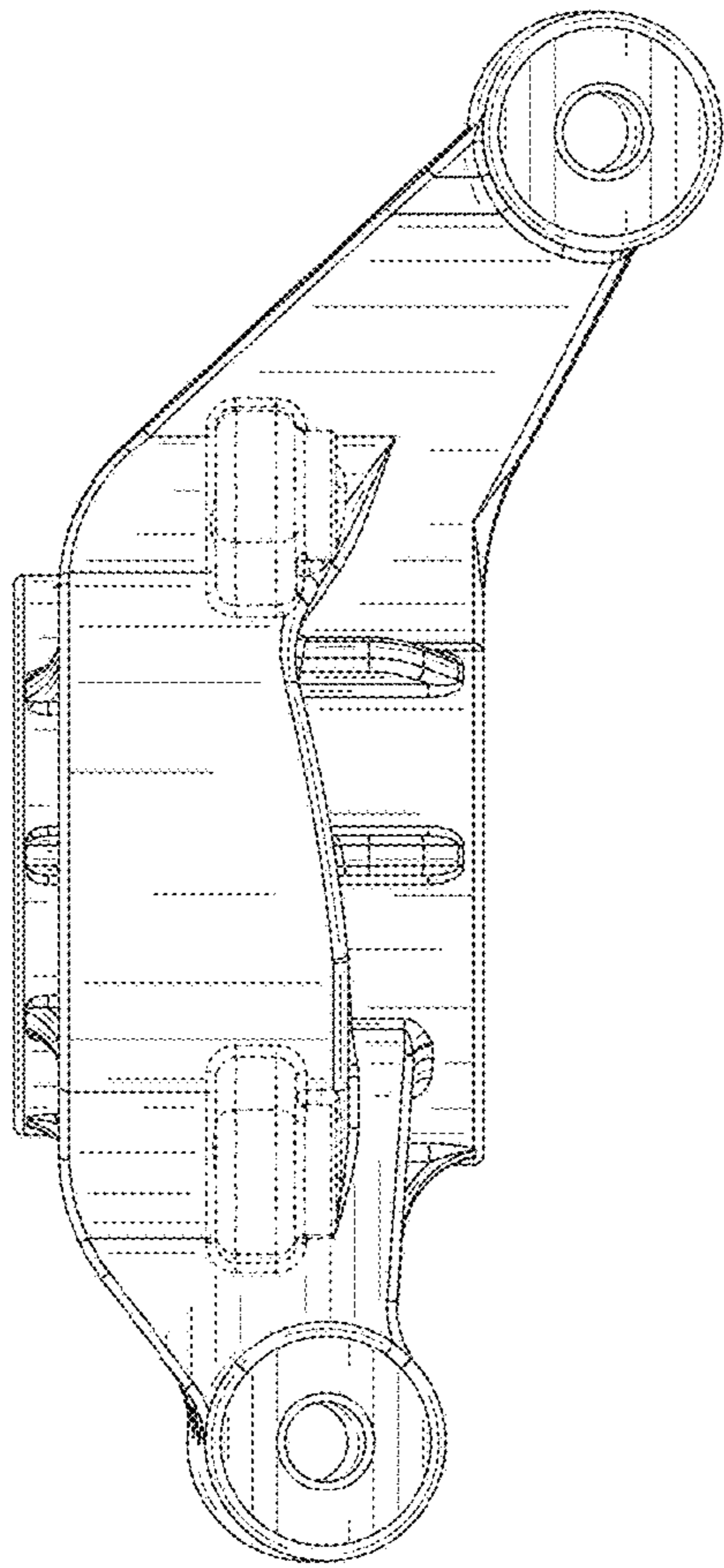


FIG. 3

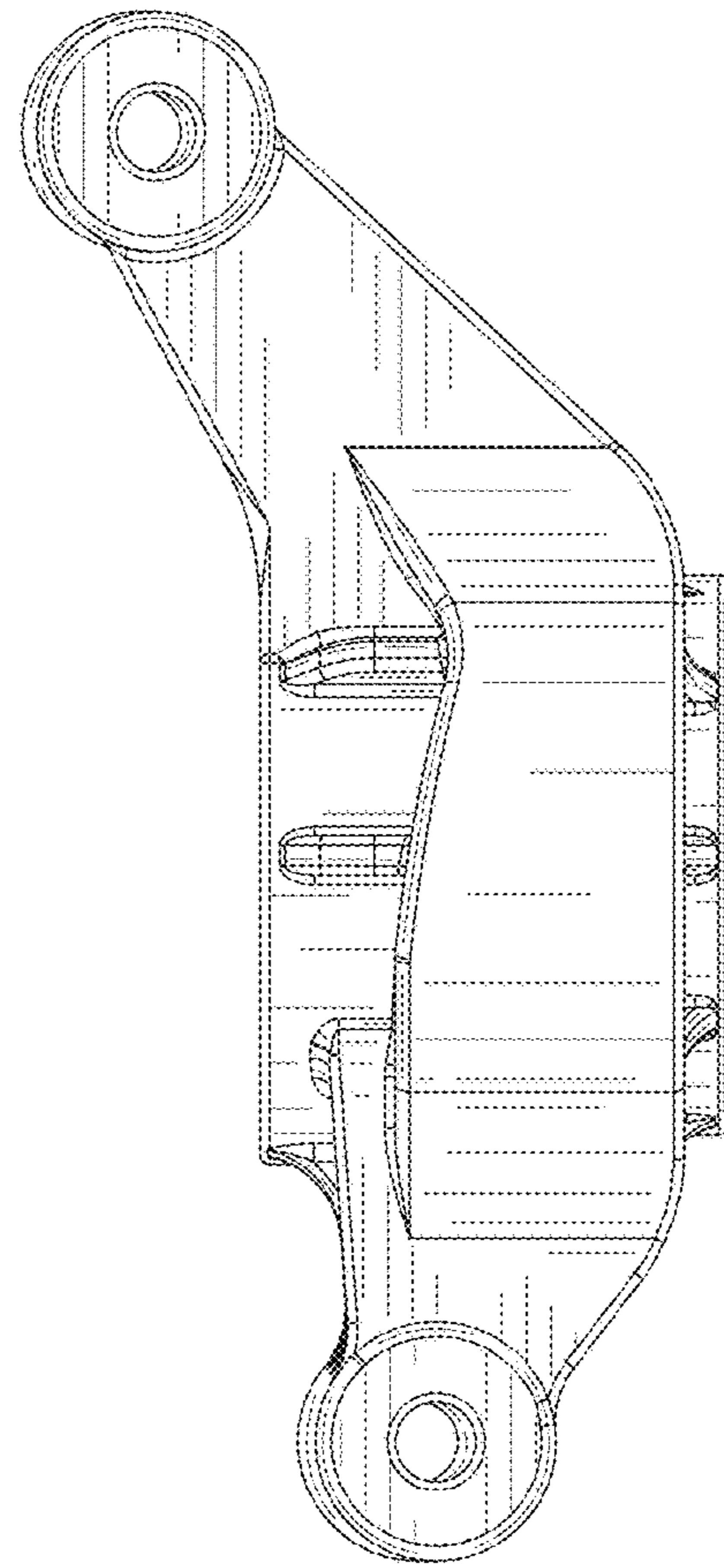


FIG. 4

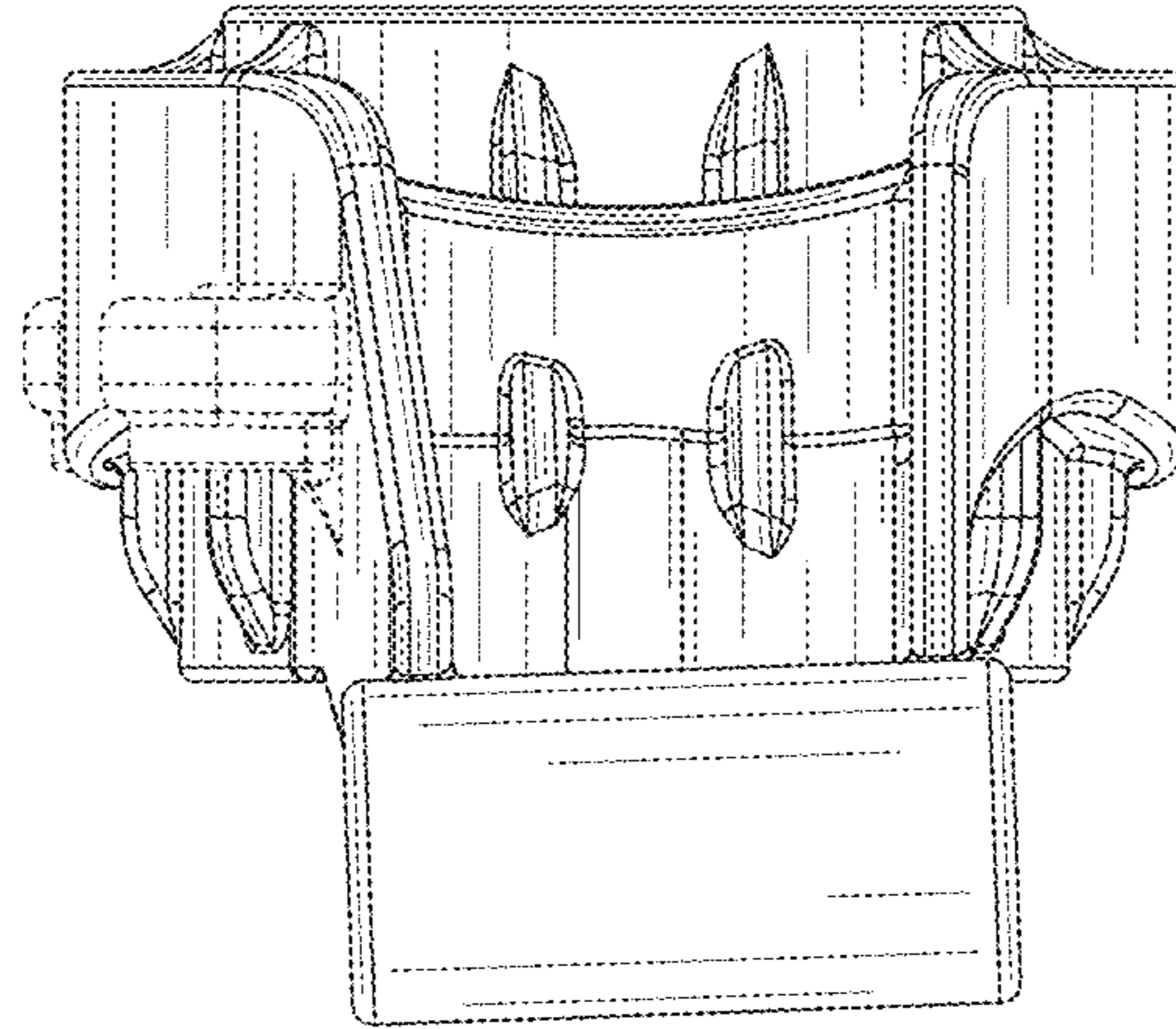


FIG. 5

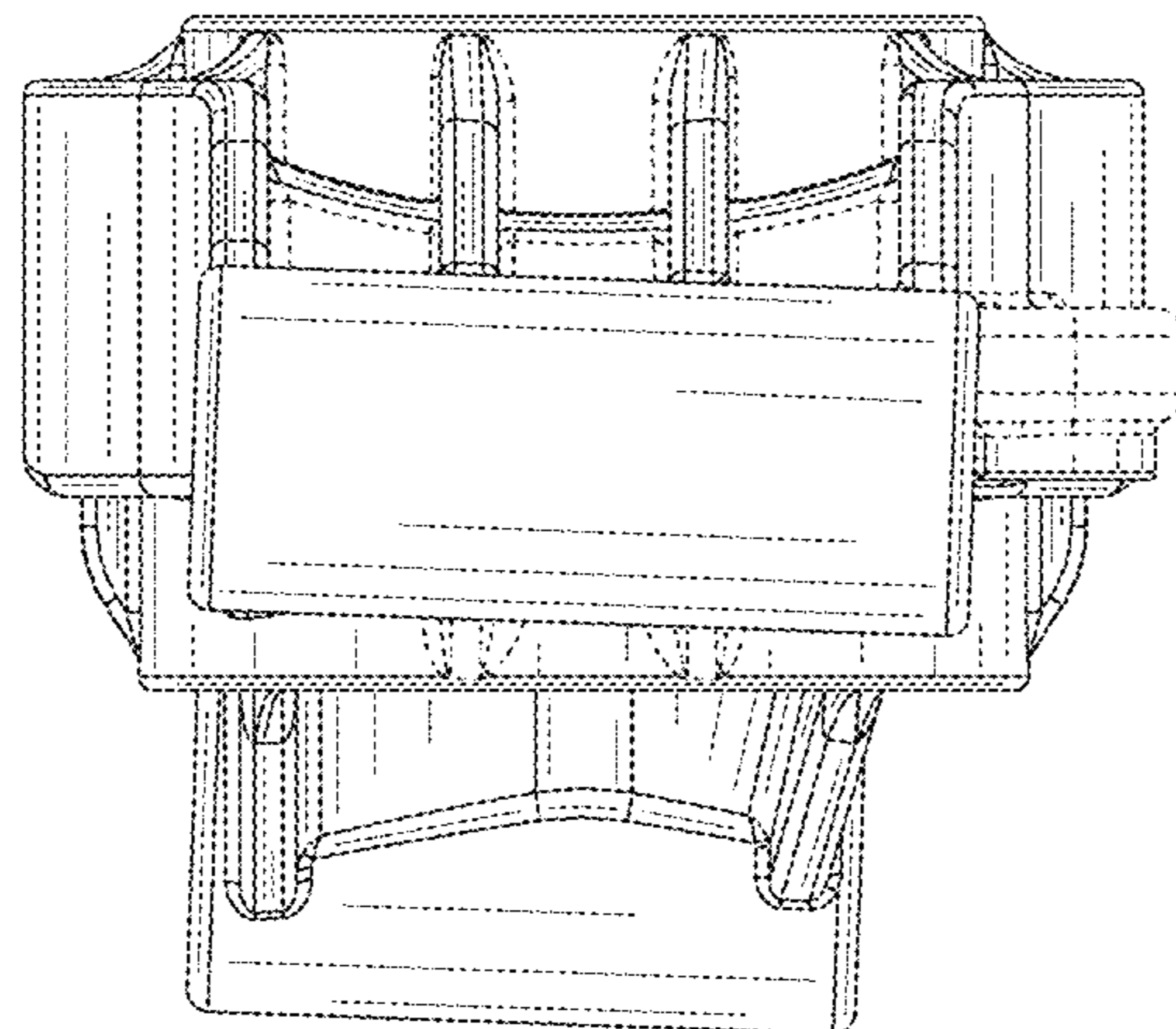


FIG. 6

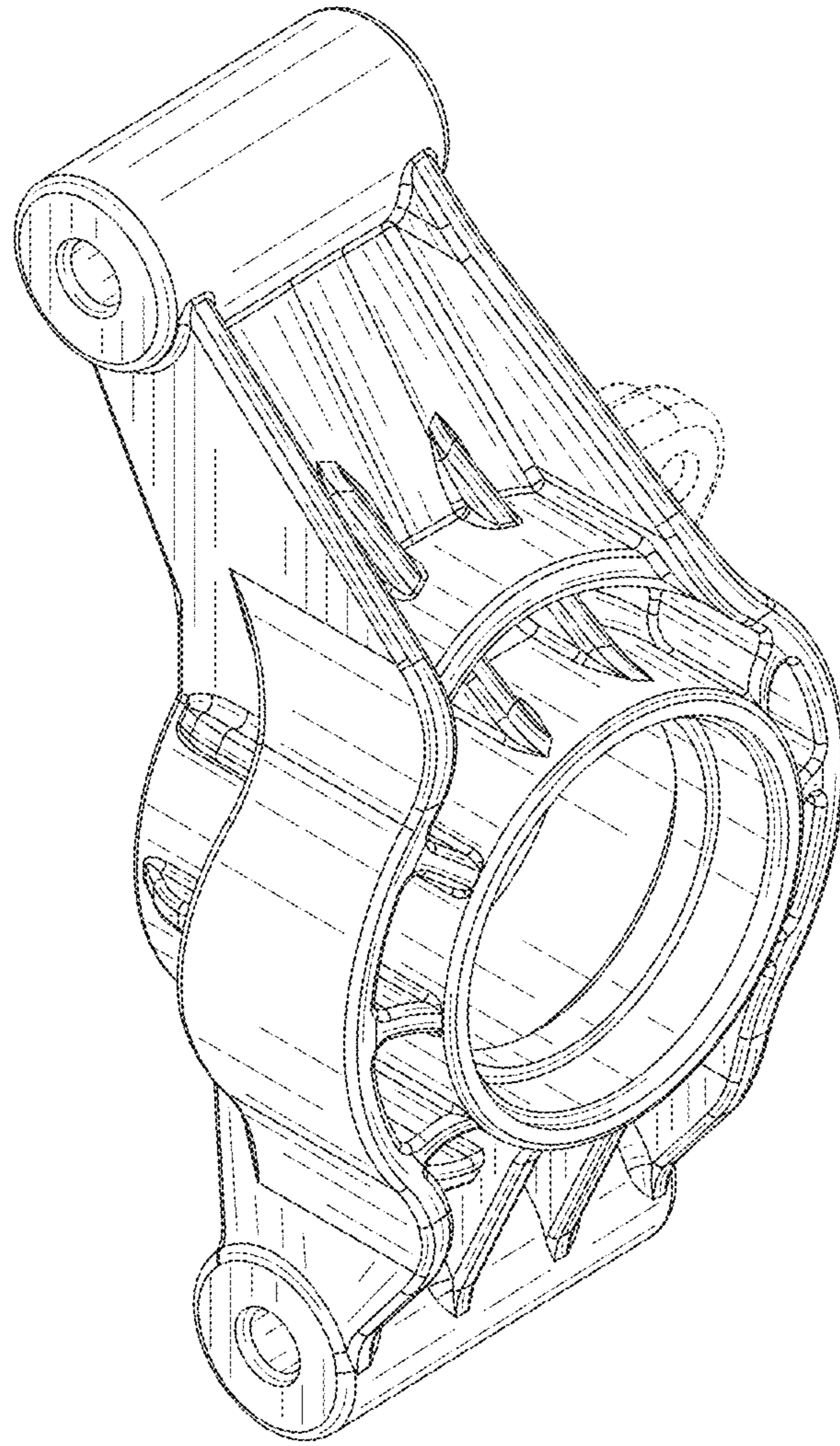


FIG. 7

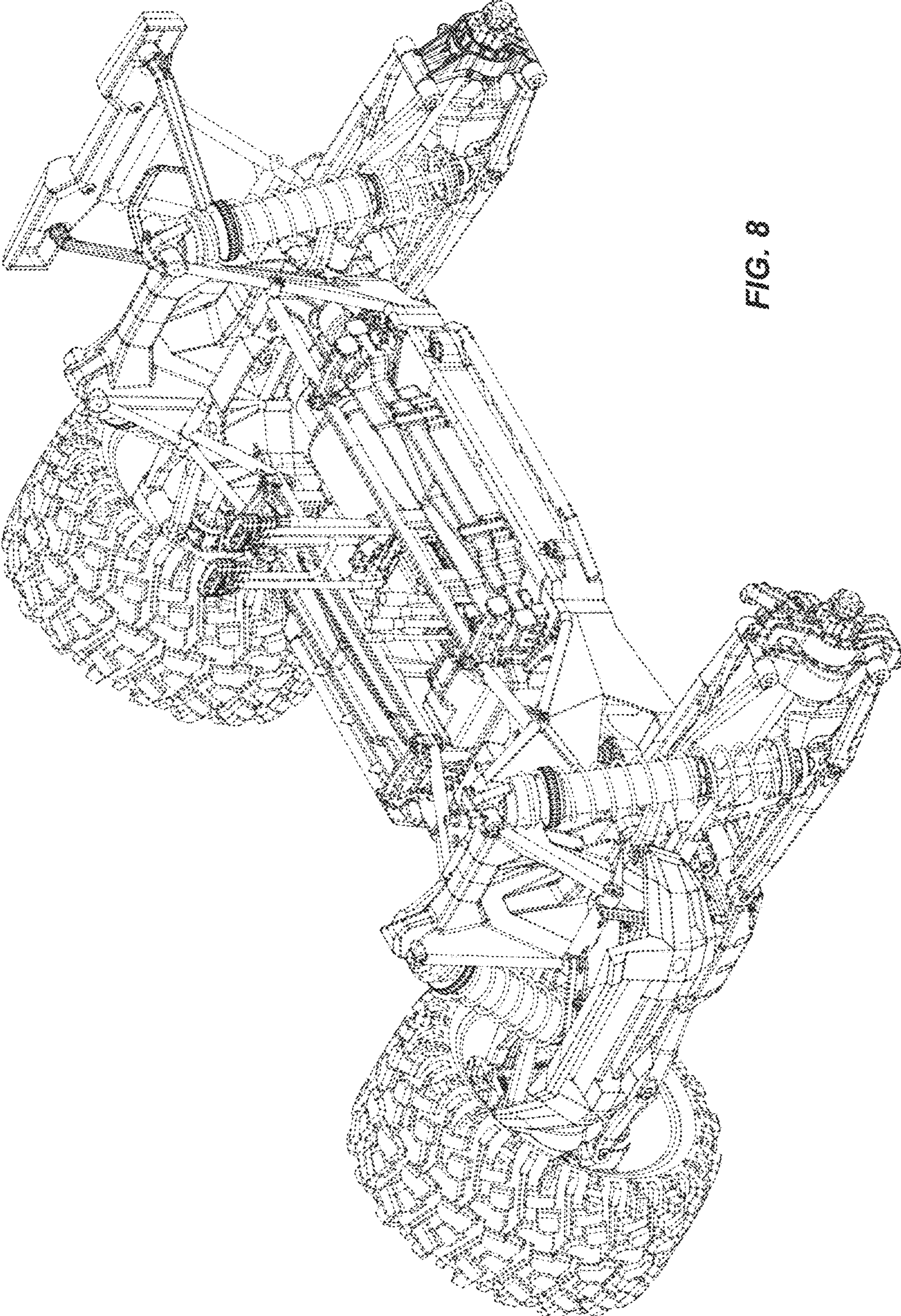


FIG. 8

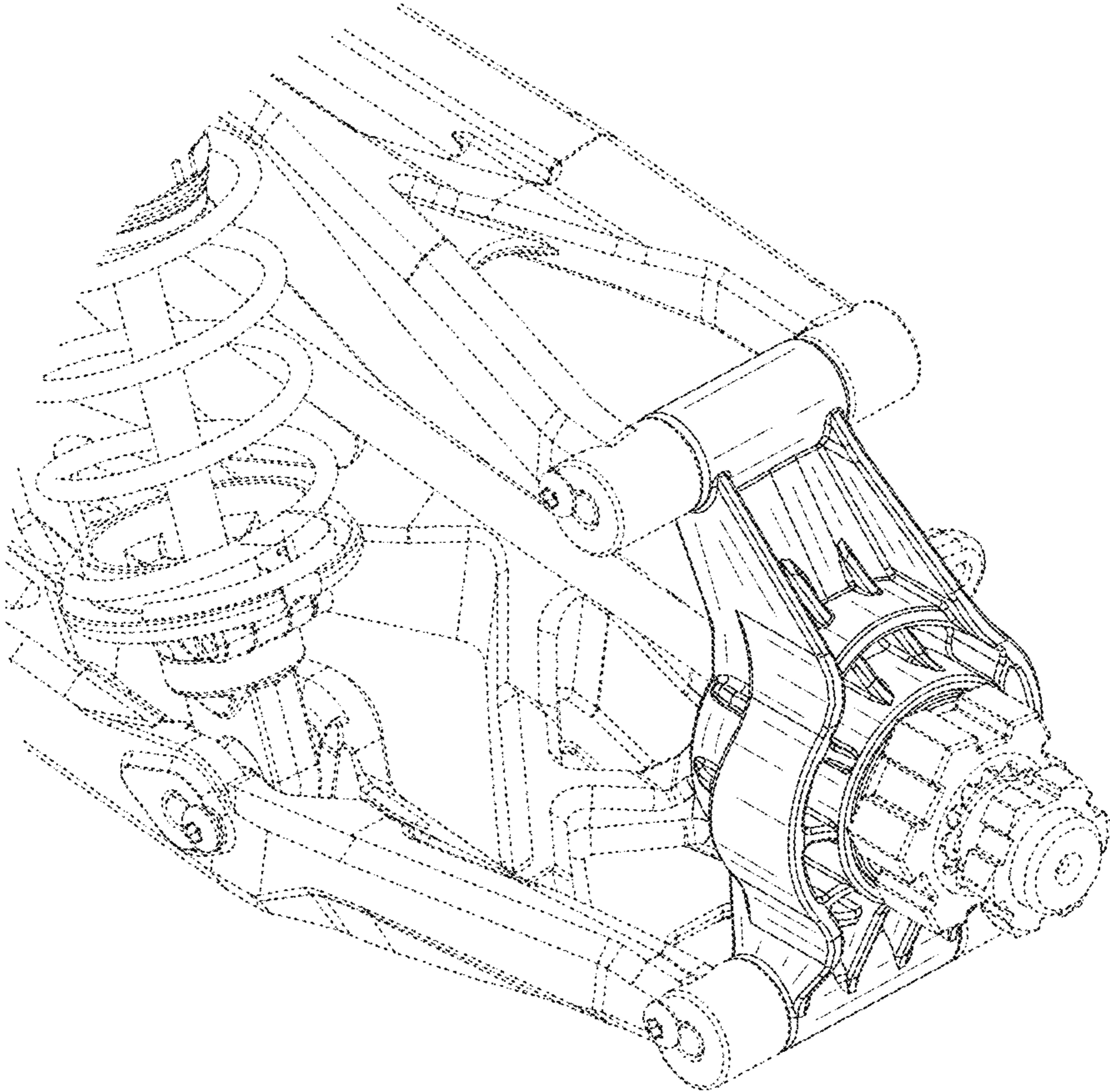


FIG. 9