

US00D826335S

(12) **United States Design Patent** (10) **Patent No.:** **US D826,335 S**
Christie et al. (45) **Date of Patent:** **** Aug. 21, 2018**

(54) **ELECTRONIC HOUSING**

D341,280 S 11/1993 Garmon
D369,789 S 5/1996 Lucente, II et al.
D393,451 S 4/1998 Faranda et al.

(71) Applicant: **Microsoft Corporation**, Redmond, WA (US)

(Continued)

(72) Inventors: **Brett D. Christie**, Seattle, WA (US);
Bryan A. Sparks, Sammamish, WA (US);
Carl J. Ledbetter, Mercer Island, WA (US);
Gregory Jones, Seattle, WA (US);
Nicolas Denhez, Seattle, WA (US);
Scott Dallmeyer, Seattle, WA (US)

FOREIGN PATENT DOCUMENTS

JP 2002246639 A 8/2002
JP 2002323633 A 11/2002
JP 2003008054 A 1/2013

(73) Assignee: **Microsoft Corporation**, Redmond, WA (US)

OTHER PUBLICATIONS
Way Back Machine [online], [retrieved Jan. 16, 2013]. Retrieved from internet, <http://web.archive.org/web/20130116120917/http://www.klipsch.com/gallery-g17-air>.

(Continued)

(**) Term: **15 Years**

Primary Examiner — Prabhakar Deshmukh

(21) Appl. No.: **29/607,147**

(74) *Attorney, Agent, or Firm* — Banner & Witcoff, Ltd.

(22) Filed: **Jun. 9, 2017**

(51) **LOC (11) Cl.** **21-01**

(52) **U.S. Cl.**

USPC **D21/332**; D14/496

(58) **Field of Classification Search**

USPC D14/496, 401, 435, 474, 483, 217, 137,
D14/138, 160, 168, 356, 203.1–203.8,
D14/507; 345/156, 169, 173–179, 905;
715/727–729, 864; 710/1, 5, 8; 713/1,
713/600; 455/1.1, 1.7, 73, 344–347, 93,
455/95, 3.01–3.06, 550.1, 573.1;
370/342–344; 369/1, 2, 6–12;
463/43–47, 29–35; 273/148 B;
D21/324–333

CPC A63F 9/00; A63F 9/24; A63F 11/00; A63F
13/00; H04J 1/08; H04J 15/00; H04J
14/02; H04J 2203/0025

See application file for complete search history.

(56) **References Cited**

U.S. PATENT DOCUMENTS

D336,287 S 6/1993 Mizusugi et al.
D338,882 S 8/1993 Reiter

(57) **CLAIM**

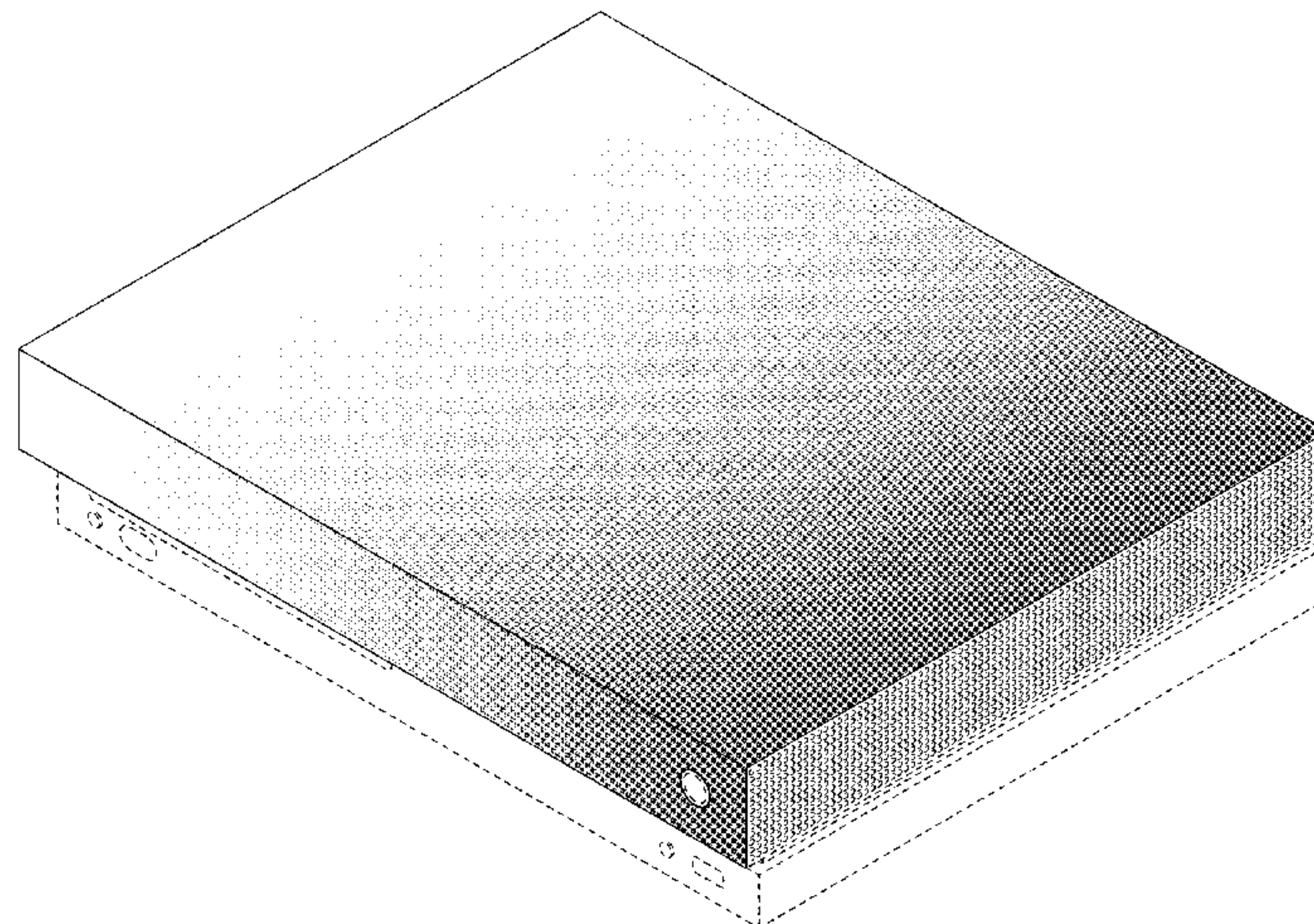
The ornamental design for an electronic housing, as shown and described.

DESCRIPTION

FIG. 1 is a front perspective view of an electronic housing showing our new design;
FIG. 2 is a front view thereof;
FIG. 3 is a top view thereof;
FIG. 4 is a rear view thereof;
FIG. 5 is a right side view thereof;
FIG. 6 is a left side view thereof; and,
FIG. 7 is a bottom view thereof.

The broken line showing of the various unshaded elements of the electronic housing illustrates environmental structure and forms no part of the claimed design. The difference in shading in the figures indicates a contrast of appearance and does not depict any particular color, texture, or material.

1 Claim, 7 Drawing Sheets



(56)

References Cited

U.S. PATENT DOCUMENTS

D402,641	S	12/1998	Heijnen	
5,914,707	A	6/1999	Kono	
D412,319	S	7/1999	Lee et al.	
D415,740	S	10/1999	Lee et al.	
D415,741	S	10/1999	Lee et al.	
D416,547	S	11/1999	Lee et al.	
D435,272	S	12/2000	Swanson et al.	
D438,543	S	3/2001	Goto	
D441,759	S	5/2001	Goto	
D452,282	S	12/2001	Stewart et al.	
D452,495	S	12/2001	Murnaghan et al.	
D452,867	S	1/2002	Goto	
D458,269	S	6/2002	Goto	
6,565,444	B2	5/2003	Nagata et al.	
6,599,194	B1 *	7/2003	Smith	A63F 13/12 463/30
D486,492	S	2/2004	Sheu et al.	
6,908,387	B2 *	6/2005	Hedrick	G07F 17/0014 463/31
6,930,600	B1	8/2005	Hsieh	
6,941,181	B1	9/2005	Mathurin	
D524,242	S	7/2006	Adams et al.	
7,090,582	B2	8/2006	Danieli et al.	
D554,582	S	11/2007	Iseki	
D557,680	S	12/2007	Corsini	
D561,186	S	2/2008	Kawase	
D568,276	S	5/2008	Ikeda et al.	
D576,686	S	9/2008	Ashida et al.	
D606,094	S	12/2009	Kimura	
D610,625	S	2/2010	Guinchard et al.	
D641,024	S	7/2011	Zenri et al.	
D647,918	S	11/2011	Ledbetter et al.	
D650,448	S	12/2011	Zenri et al.	
D655,351	S	3/2012	Zenri et al.	
D656,555	S	3/2012	Zenri et al.	
D657,788	S	4/2012	Ledbetter et al.	
D664,993	S	8/2012	Ledbetter et al.	
D665,424	S	8/2012	Ledbetter et al.	
D666,680	S	9/2012	Mercier et al.	
D680,174	S	4/2013	Mercier et al.	
D685,795	S	7/2013	Paschke et al.	
D692,009	S	10/2013	Ashida et al.	
D692,437	S	10/2013	Sugino et al.	
D700,246	S	2/2014	Jacobs et al.	
D701,213	S	3/2014	Pajic	
D705,361	S	5/2014	Jacobs et al.	
D705,869	S *	5/2014	Jacobs	D14/496
D705,870	S	5/2014	Jacobs et al.	
D705,871	S	5/2014	Jacobs et al.	
D709,133	S	7/2014	Jacobs et al.	
D709,134	S	7/2014	Dallmeyer et al.	
D709,959	S *	7/2014	Jacobs	D21/332
D711,923	S	8/2014	Dallmeyer et al.	
D712,350	S	9/2014	Smith et al.	
D713,420	S	9/2014	Dallmeyer et al.	
D719,958	S	12/2014	Dallmeyer et al.	
D721,138	S *	1/2015	Barinaga	D21/332
D722,116	S *	2/2015	Gottschalk	D21/332
D726,729	S	4/2015	Lim	
D747,322	S	1/2016	Li	
D766,984	S	9/2016	Chatterjee et al.	
D766,985	S	9/2016	Chatterjee et al.	
D768,639	S	10/2016	Sumii	
D805,132	S *	12/2017	Sparks	D21/332
D805,133	S *	12/2017	Sparks	D21/332

OTHER PUBLICATIONS

Nintendo NES [online], [retrieved on May 14, 2013]. Retrieved from internet, <http://gamesdbase.com/system-nintendo_nes.aspx/>.
 “Nintendo Wii Review”, Top 10 Reviews ; URL: <http://www.toptenreviews.com/electronics/gaming/best-video-game-consoles/nintendo-wii/review/> ; date accessed Sep. 27, 2016.

“PS4 Console”, PS4 Features, Games & Videos ; <URL:https://www.playstation.com/en-us/explore/ps4/> ; date accessed Sep. 27, 2016.
 “Sony Playstation 2”, The Video Game Critic’s Console Reviews ; <URL:http://videogamecritic.com/ps2info.htm> ; date accessed Sep. 27, 2016.
 X Box One S found online [Nov. 2, 2016] http://www.xbox.com/en-US/xbox-one-s?&ocid=PORTALS_SEM_google_microsoft%20xbox&cid=PORTALS_SEM_google_microsoft%20xbox.
 Nov. 30, 2016—U.S. Non-Final Office Action—U.S. Appl. No. 29/564,527, filed May 13, 2016; Inv.: Bryan A. Sparks.
 Nov. 28, 2016—U.S. Non-Final Office Action—U.S. Appl. No. 29/564,514, filed May 13, 2016; Inv.: Bryan A. Sparks.
 Nov. 30, 2016—U.S. Non-Final Office Action—U.S. Appl. No. 29/564,511, filed May 13, 2016; Inv.: Bryan A. Sparks.
 Nov. 28, 2016—U.S. Non-Final Office Action—U.S. Appl. No. 29/564,518, filed May 13, 2016; Inv.: Bryan A. Sparks.
 Nov. 30, 2016—U.S. Non-Final Office Action—U.S. Appl. No. 29/564,522, filed May 13, 2016; Inv.: Bryan A. Sparks.
 AVS Forum; “Receivers, Amps, and Processors”; Publication date unknown but prior to filing date of present application; Date Accessed: Jul. 25, 2017; URL: <http://www.avforum.com/forum/90-receivers-amps-processors/1502957-onkyo-tx-sr601-any-good.html>.
 Ixibt.com; “DolbyDigital Surround EX, DTS-ES 6.1”; Publication date unknown but prior to filing date of present application; Date Accessed: Jul. 25, 2017; URL: <http://www.ixbt.com/dvd/onkyo-tx-sr-600.shtml>.
 Grey Ghost; “Insignia NS-R2000 Stereo Receiver Review”; Publication date unknown but prior to filing date of present application; Date Accessed: Jul. 25, 2017; URL: <http://greyghost.mooc.com/nsr2000-review/>.
 Crutch Field; “Cambridge Audio Topaz SR20”; Publication date unknown but prior to filing date of present application; Date Accessed: Jul. 25, 2017; URL: <https://www1.crutchfield.com/p_779SR20/Cambridge-Audio-Topaz-SR20.html>.
 Stereophile; “Arcam FMJ SR250 stereo AV receiver”; Publication date: Jun. 1, 2017; Date Accessed: Jul. 25, 2017; URL: <https://www.stereophile.com/taxonomy/term-p/143>.
 Electronic House; “Affordable 2-channel Receivers for Great Home Stereo Systems”; Publication date: Apr. 1, 2015; Date Accessed: Jul. 25, 2017; URL: <https://www.electronichouse.com/home-audio/affordable-2-channel-receivers-great-ome-stereo-systems/>.
 Audi Affair; “Arcam FMJ C49 Pre Amplifier”; Publication date unknown but prior to filing date; Date Accessed: Jul. 25, 2017; URL: <http://www.audioprestige.co.uk/arcam-c49-pre-amplifier>.
 Hifi-Prestige; “Arcam FMJ A 39”; Publication date unknown but prior to filing date; Date Accessed: Jul. 25, 2017; URL: <http://www.hifiprestige.it/it/amplificatori-integrati/7517-arcam-fmj-a-39.html>.
 Hifi-Prestige; “Arcam FMJ AVR 550”; Publication date unknown but prior to filing date; Date Accessed: Jul. 25, 2017; URL: <http://hifiprestige.it/it/sintoamplificatori-a-v/9343-arcam-fmj-avr-550.html>.
 Hifi-Prestige; “Arcam FMJ C 49”; Publication date unknown but prior to filing date; Date Accessed: Jul. 25, 2017; URL: <http://www.hifiprestige.it/it/preamplificatori/7514-arcam-fmj-c-49.html>.
 Hifi-Prestige; “Arcam FMJ UDP 411”; Publication date unknown but prior to filing date; Date Accessed: Jul. 25, 2017; URL: <http://www.hifiprestige.it/it/accessori-multimediali/7519-arcam-fmj-udp-411.html>.
 Hifi-Prestige; “Arcam FMJ A19 Black—Amplificatore Integrato”; Publication date unknown but prior to filing date; Date Accessed: Jul. 25, 2017; URL: <http://www.hifiprestige.it/it/amplificatori-integrati/6523-arcam-fmj-a19-black.html>.
 Best Buy; “Insignia—200W 2.0-Ch. Stereo Receiver—Black”; Publication date unknown but prior to filing date; Date Accessed: Jul. 25, 2017; URL: <http://www.bestbuy.com/site/insignia-200w-2-0-ch-stereo-receiver-black/4156007.p?skuId=4156007>.
 Best Buy; “Yamaha—165W 2.0-Ch. Stereo Receiver—Black”; Publication date unknown but prior to filing date; Date Accessed: Jul. 25, 2017; URL: <http://www.bestbuy.com/site/yamaha-165w-2-0-ch-stereo-receiver-black/3817026.p?skuId=3817026>.

(56)

References Cited

OTHER PUBLICATIONS

Best Buy; “Denon—AVR 5.2-Ch. 4K Ultra HD and 3D Pass-Through A/V Home Theater Receiver—Black”; Publication date unknown but prior to filing date; Date Accessed: Jul. 25, 2017; URL: <<http://www.bestbuy.com/site/denon-avr-5-2-ch-4k-ultra-hd-and-3d-pass-through-a-v-home-theater-receiver-black/5756606>>.

Best Buy; “Yamaha—5.1-Ch. 4K Ultra HD and 3D Pass-Through A/V Home Theater Receiver—Black”; Publication date unknown but prior to filing date; Date Accessed: Jul. 25, 2017; URL: <<http://www.bestbuy.com/site/yamaha-5-1-ch-4k-ultra-hd-and-3d-pass-through-a-v-home-theater-receiver-black/5784593>>.

Apr. 5, 2017—U.S. Final Office Action—U.S. Appl. No. 29/564,511, filed May 13, 2016; Inv.: Bryan A. Sparks.

Aug. 21, 2017—U.S. Notice of Allowance—U.S. Appl. No. 29/564,511, filed May 13, 2016; Inv.: Bryan A. Sparks.

Jan. 3, 2014—U.S. Notice of Allowance—U.S. Appl. No. 29/447,078, filed Feb. 28, 2013; Inv.: Joel B. Jacobs.

Jan. 6, 2014—U.S. Non-Final Office Action—U.S. Appl. No. 29/447,082, filed Feb. 28, 2013; Inv.: Joel B. Jacobs.

Mar. 12, 2014—U.S. Notice of Allowance—U.S. Appl. No. 29/447,082, filed Feb. 28, 2013; Inv.: Joel B. Jacobs.

Jan. 6, 2014—U.S. Notice of Allowance—U.S. Appl. No. 29/447,085, filed Feb. 28, 2013; Inv.: Joel B. Jacobs.

Jan. 2, 2014—U.S. Requirement for Restriction—U.S. Appl. No. 29/447,089, filed Feb. 28, 2013; Inv.: Joel B. Jacobs.

Mar. 14, 2014—U.S. Notice of Allowance—U.S. Appl. No. 29/447,089, filed Feb. 28, 2013; Inv.: Joel B. Jacobs.

Jan. 6, 2014—U.S. Notice of Allowance—U.S. Appl. No. 29/447,094, filed Feb. 28, 2013; Inv.: Joel B. Jacobs.

Jan. 7, 2014—U.S. Notice of Allowance—U.S. Appl. No. 29/447,097, filed Feb. 28, 2013; Inv.: Joel B. Jacobs.

Jan. 7, 2014—U.S. Notice of Allowance—U.S. Appl. No. 29/447,100, filed Feb. 28, 2013; Inv.: Joel B. Jacobs.

Nov. 28, 2016—U.S. Non-Final Office Action—U.S. Appl. No. 29/564,514, filed May 13, 2016; Inv.: Bryan A. Sparks.

Apr. 5, 2017—U.S. Final Office Action—U.S. Appl. No. 29/564,514, filed May 13, 2016; Inv.: Bryan A. Sparks.

Aug. 23, 2017—U.S. Notice of Allowance—U.S. Appl. No. 29/564,514, filed May 13, 2016; Inv.: Bryan A. Sparks.

Apr. 5, 2017—U.S. Final Office Action—U.S. Appl. No. 29/564,518, filed May 13, 2016; Inv.: Bryan A. Sparks.

Aug. 23, 2017—U.S. Notice of Allowance—U.S. Appl. No. 29/564,518, filed May 13, 2016; Inv.: Bryan A. Sparks.

Apr. 5, 2017—U.S. Final Office Action—U.S. Appl. No. 29/564,522, filed May 13, 2016; Inv.: Bryan A. Sparks.

Aug. 23, 2017—U.S. Notice of Allowance—U.S. Appl. No. 29/564,522, filed May 13, 2016; Inv.: Bryan A. Sparks.

Apr. 21, 2017—U.S. Non-Final Office Action—U.S. Appl. No. 29/566,652, filed Jun. 1, 2016; Inv.: Bryan A. Sparks.

Sep. 13, 2017—U.S. Notice of Allowance—U.S. Appl. No. 29/566,652, filed Jun. 1, 2016; Inv.: Bryan A. Sparks.

Jun. 1, 2017—U.S. Non-Final Office Action—U.S. Appl. No. 29/564,601, filed May 13, 2016; Inv.: Bryan A. Sparks.

Apr. 5, 2017—U.S. Final Office Action—U.S. Appl. 29/564,527, filed May 13, 2016; Inv.: Bryan A. Sparks.

Aug. 23, 2017—U.S. Notice of Allowance—U.S. Appl. No. 29/564,527, filed May 13, 2016; Inv.: Bryan A. Sparks.

* cited by examiner

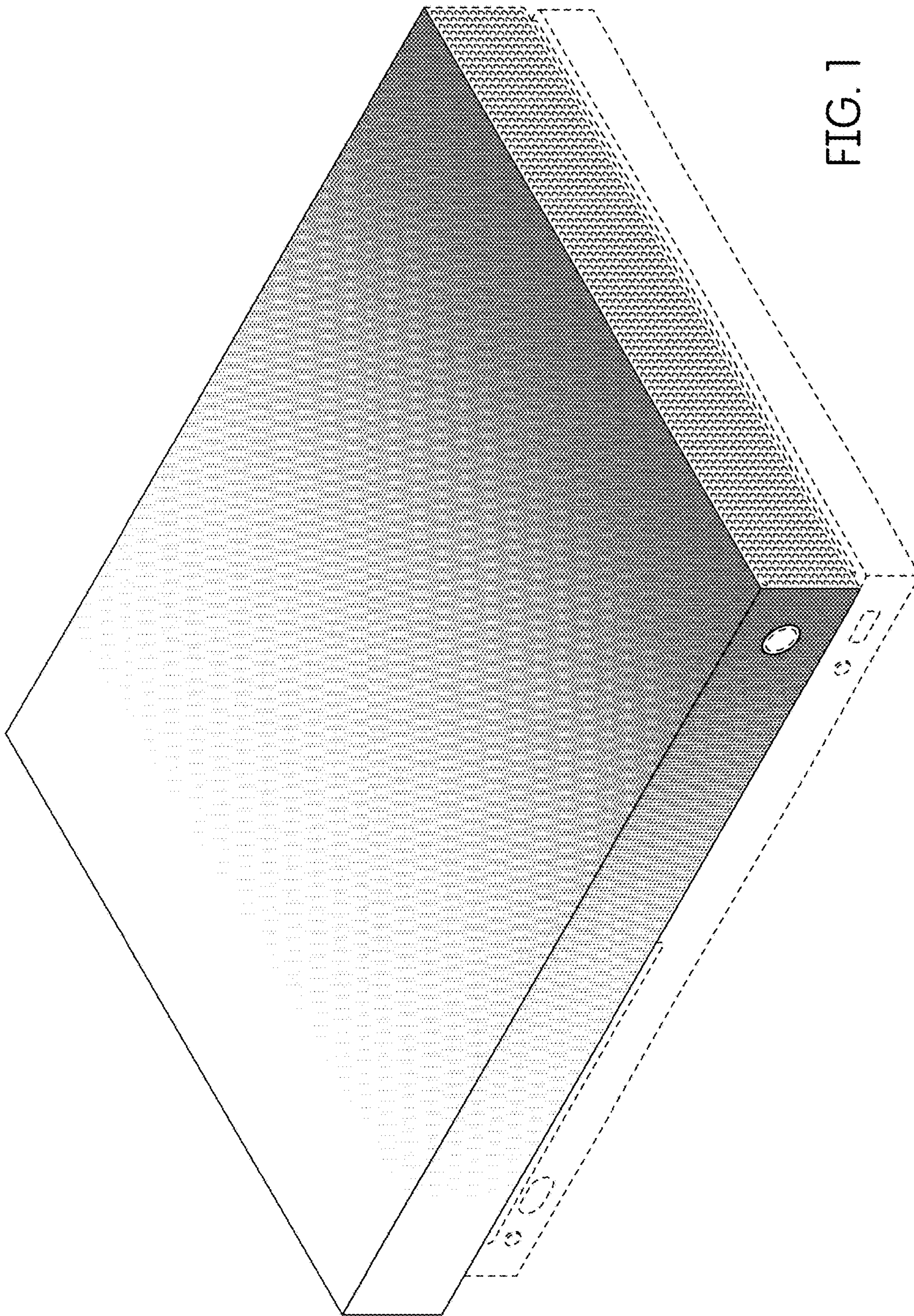


FIG. 1

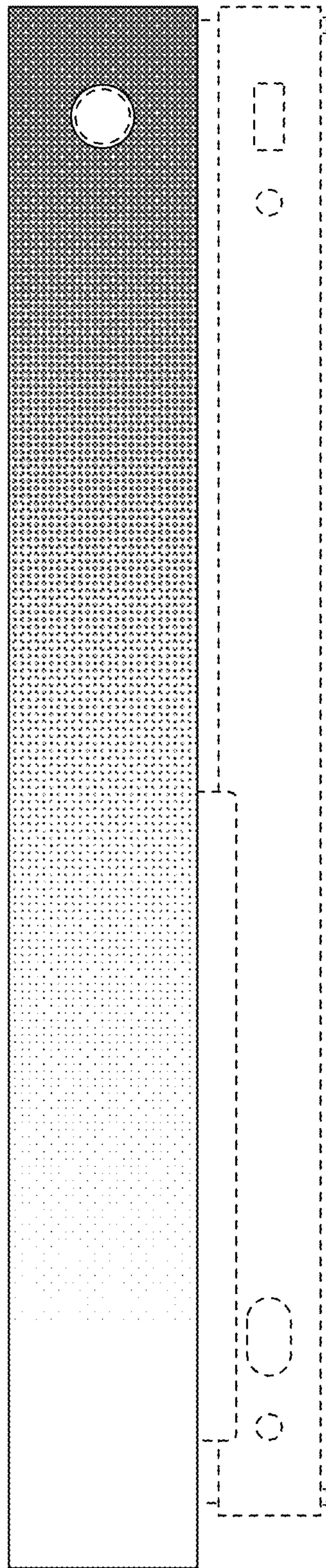
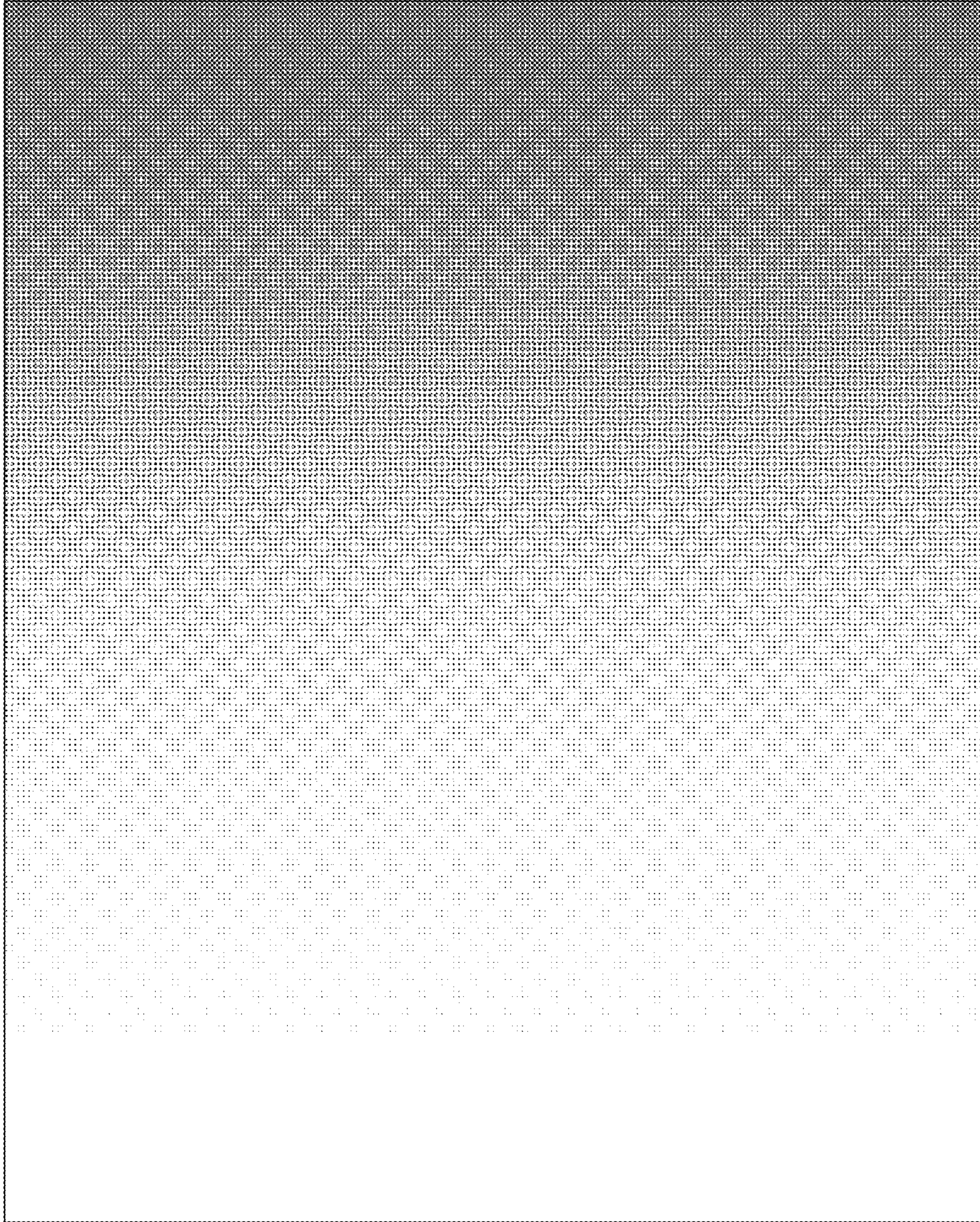


FIG. 2

FIG. 3



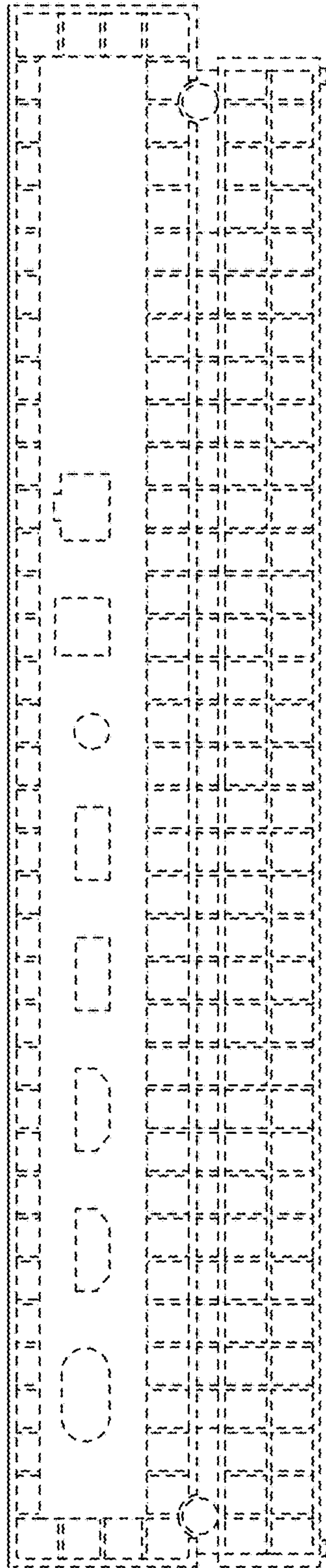


FIG. 4

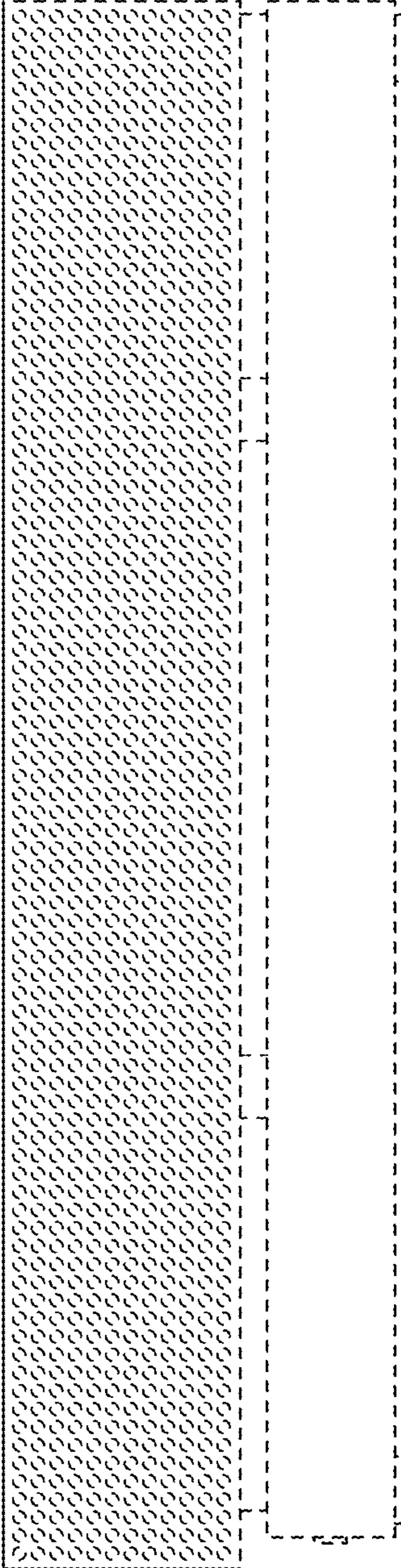


FIG. 5

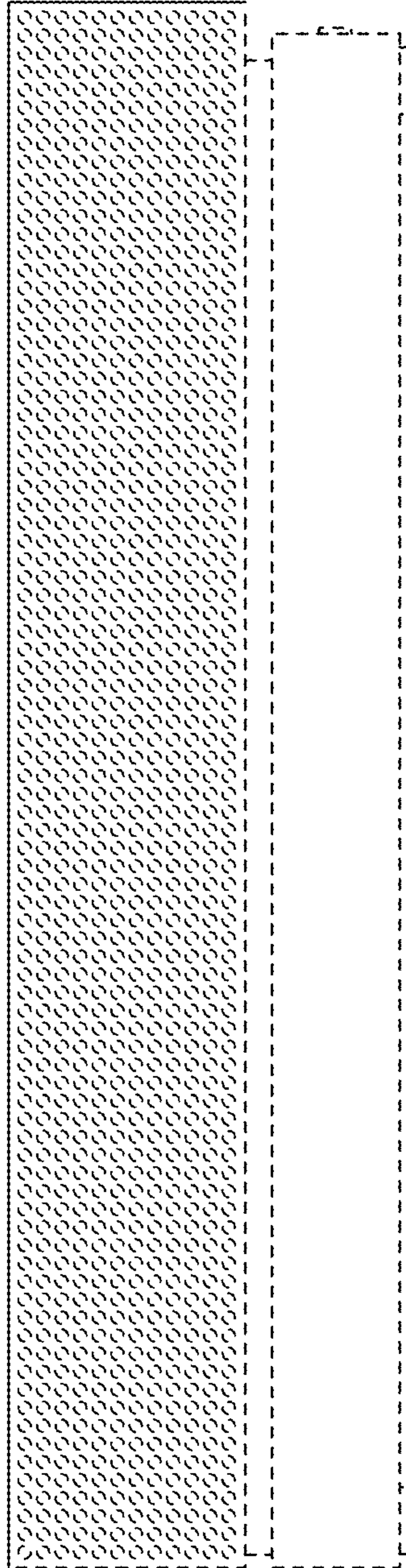


FIG. 6

FIG. 7

