



US00D826334S

(12) **United States Design Patent** (10) **Patent No.:** **US D826,334 S**  
**Christie et al.** (45) **Date of Patent:** **\*\* Aug. 21, 2018**

(54) **ELECTRONIC HOUSING**

FOREIGN PATENT DOCUMENTS

(71) Applicant: **Microsoft Corporation**, Redmond, WA (US)

JP 2002246639 A 8/2002  
JP 2002323633 A 11/2002  
JP 2003008054 A 1/2003

(72) Inventors: **Brett D. Christie**, Seattle, WA (US);  
**Bryan A. Sparks**, Sammamish, WA (US); **Carl J. Ledbetter**, Mercer Island, WA (US); **Gregory Jones**, Seattle, WA (US); **Nicolas Denhez**, Seattle, WA (US); **Scott Dallmeyer**, Seattle, WA (US)

OTHER PUBLICATIONS

Apr. 5, 2017—U.S. Final Office Action—U.S. Appl. No. 29/564,511, filed May 13, 2016; Inv.: Bryan A. Sparks.

(Continued)

(73) Assignee: **Microsoft Corporation**, Redmond, WA (US)

*Primary Examiner* — Prabhakar Deshmukh

(74) *Attorney, Agent, or Firm* — Banner & Witcoff, Ltd.

(\*\*) Term: **15 Years**

(57) **CLAIM**

(21) Appl. No.: **29/607,132**

The ornamental design for an electronic housing, as shown and described.

(22) Filed: **Jun. 9, 2017**

(51) **LOC (11) Cl.** ..... **21-01**

(52) **U.S. Cl.**

USPC ..... **D21/332**; D14/496

(58) **Field of Classification Search**

USPC ..... D14/496, 401, 435, 474, 483, 217, 137, D14/138, 160, 168, 356, 203.1–203.8, D14/507; 345/156, 169, 173–179, 905; 715/727–729, 864; 710/1, 5, 8; 713/1, 713/600; 455/1.1, 1.7, 73, 344–347, 93, 455/95, 3.01–3.06, 550.1, 573.1; 370/342–344; 369/1, 2, 6–12; 463/43–47, 29–35; 273/148 B; D21/324–333

CPC .... A63F 9/00; A63F 9/24; A63F 11/00; A63F 13/00; H04J 1/08; H04J 15/00; H04J 14/02; H04J 2203/0025

See application file for complete search history.

**DESCRIPTION**

FIG. 1 is a front perspective view of an electronic housing showing our new design;  
FIG. 2 is a front elevational view thereof;  
FIG. 3 is a rear elevational view thereof;  
FIG. 4 is a right side elevational view thereof;  
FIG. 5 is a left side elevational view thereof;  
FIG. 6 is a top plan view thereof;  
FIG. 7 is a bottom plan view thereof;  
FIG. 8 is an enlarged view taken along the encircled portion 8 in FIG. 1;  
FIG. 9 is an enlarged view taken along the encircled portion 9 in FIG. 3; and,  
FIG. 10 is enlarged view taken along the encircled portion 10 in FIG. 5.

The broken lines illustrate unclaimed portions and form no part of the claimed design. The broken lines encircling the enlarged views in FIGS. 8-10 form no part of the claimed design.

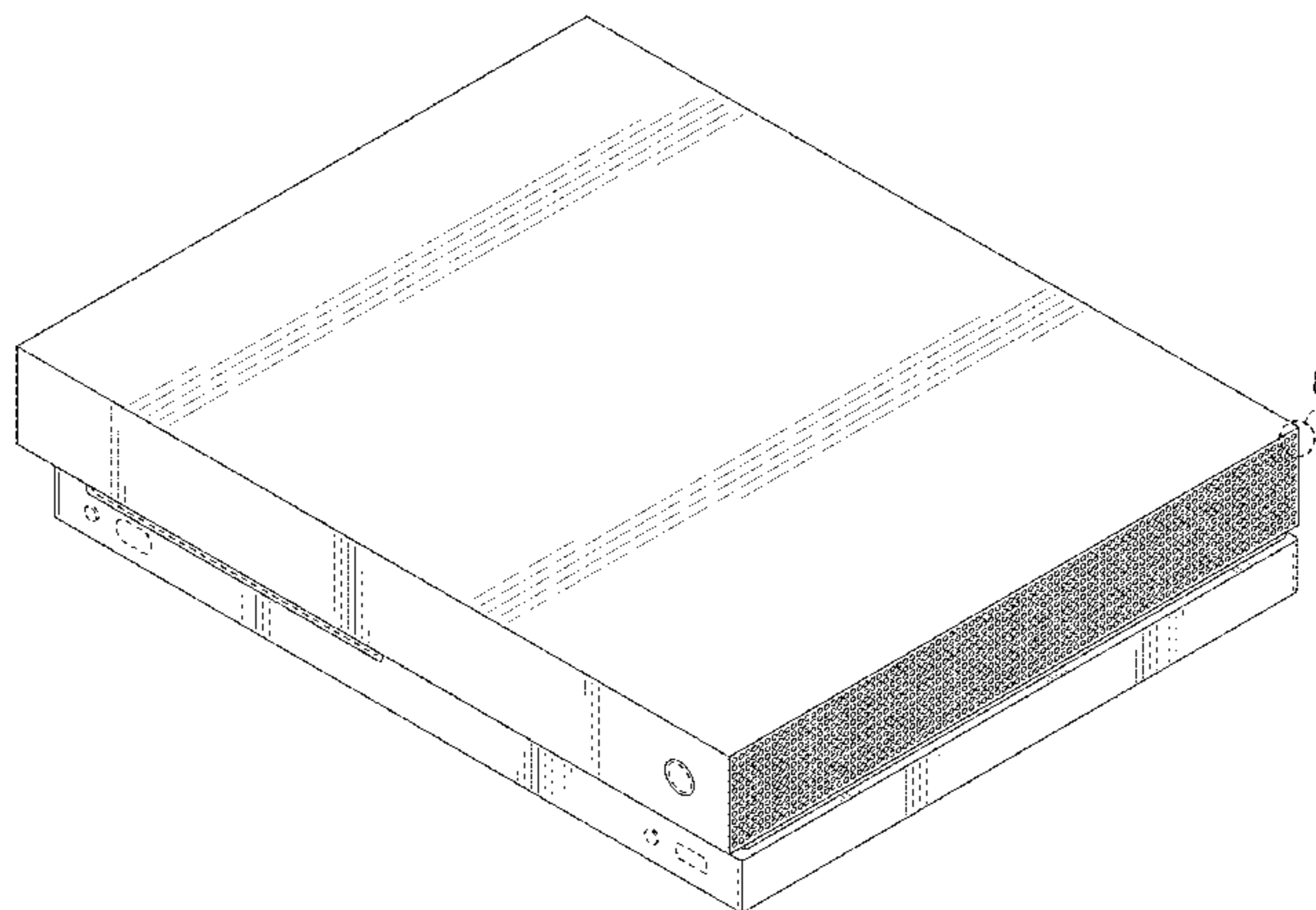
(56) **References Cited**

U.S. PATENT DOCUMENTS

5,196,993 A 3/1993 Herron et al.  
D336,287 S 6/1993 Mizusugi et al.

(Continued)

**1 Claim, 10 Drawing Sheets**



(56)

References Cited

OTHER PUBLICATIONS

U.S. PATENT DOCUMENTS

D338,882 S 8/1993 Reiter  
 D341,280 S 11/1993 Garmon  
 D369,789 S 5/1996 Lucente, II et al.  
 D393,451 S 4/1998 Faranda et al.  
 D402,641 S 12/1998 Heijnen  
 5,914,707 A 6/1999 Kono  
 D412,319 S 7/1999 Lee et al.  
 D415,740 S 10/1999 Lee et al.  
 D415,741 S 10/1999 Lee et al.  
 D416,547 S 11/1999 Lee et al.  
 6,115,249 A 9/2000 Cipolla et al.  
 D435,272 S 12/2000 Swanson et al.  
 D438,543 S 3/2001 Goto  
 D441,759 S 5/2001 Goto  
 D452,282 S 12/2001 Stewart et al.  
 D452,495 S 12/2001 Murnaghan et al.  
 D452,867 S 1/2002 Goto  
 D454,136 S 3/2002 Deuschle  
 D458,269 S 6/2002 Goto  
 6,565,444 B2 5/2003 Nagata et al.  
 6,599,194 B1\* 7/2003 Smith ..... A63F 13/12  
 463/30  
 D486,492 S 2/2004 Sheu et al.  
 6,908,387 B2\* 6/2005 Hedrick ..... G07F 17/0014  
 463/31  
 6,930,600 B1 8/2005 Hsieh  
 6,941,181 B1 9/2005 Mathurin  
 D524,242 S 7/2006 Adams et al.  
 7,090,582 B2 8/2006 Danieli et al.  
 D554,582 S 11/2007 Iseki  
 D557,680 S 12/2007 Corsini  
 D561,186 S 2/2008 Kawase  
 D568,276 S 5/2008 Ikeda et al.  
 D576,686 S 9/2008 Ashida et al.  
 D606,094 S 12/2009 Kimura  
 D610,625 S 2/2010 Guinchard et al.  
 D641,024 S 7/2011 Zenri et al.  
 D647,918 S 11/2011 Ledbetter et al.  
 D650,448 S 12/2011 Zenri et al.  
 D655,351 S 3/2012 Zenri et al.  
 D656,555 S 3/2012 Zenri et al.  
 D657,788 S 4/2012 Ledbetter et al.  
 D664,993 S 8/2012 Ledbetter et al.  
 D665,424 S 8/2012 Ledbetter et al.  
 D666,680 S 9/2012 Mercier et al.  
 D680,174 S 4/2013 Mercier et al.  
 D685,795 S 7/2013 Paschke et al.  
 D692,009 S 10/2013 Ashida et al.  
 D692,437 S 10/2013 Sugino et al.  
 D700,246 S 2/2014 Jacobs et al.  
 D701,213 S 3/2014 Pajic  
 D705,361 S 5/2014 Jacobs et al.  
 D705,869 S\* 5/2014 Jacobs ..... D14/496  
 D705,870 S 5/2014 Jacobs et al.  
 D705,871 S 5/2014 Jacobs et al.  
 D709,133 S 7/2014 Jacobs et al.  
 D709,134 S 7/2014 Dallmeyer et al.  
 D709,959 S\* 7/2014 Jacobs ..... D21/332  
 D711,923 S 8/2014 Dallmeyer et al.  
 D712,350 S 9/2014 Smith et al.  
 D713,420 S 9/2014 Dallmeyer et al.  
 D719,958 S 12/2014 Dallmeyer et al.  
 D721,138 S\* 1/2015 Barinaga ..... D21/332  
 D722,116 S\* 2/2015 Gottschalk ..... D21/332  
 D726,729 S 4/2015 Lim  
 D747,322 S 1/2016 Li  
 D766,984 S 9/2016 Chatterjee et al.  
 D766,985 S 9/2016 Chatterjee et al.  
 D768,639 S 10/2016 Sumii  
 D805,132 S\* 12/2017 Sparks ..... D21/332  
 D805,133 S\* 12/2017 Sparks ..... D21/332

Aug. 21, 2017—U.S. Notice of Allowance—U.S. Appl. No. 29/564,511, filed May 13, 2016; Inv.: Bryan A. Sparks.  
 Jan. 3, 2014—U.S. Notice of Allowance—U.S. Appl. No. 29/447,078, filed Feb. 28, 2013; Inv.: Joel B. Jacobs.  
 Jan. 6, 2014—U.S. Non-Final Office Action—U.S. Appl. No. 29/447,082, filed Feb. 28, 2013; Inv.: Joel B. Jacobs.  
 Mar. 12, 2014—U.S. Notice of Allowance—U.S. Appl. No. 29/447,082, filed Feb. 28, 2013; Inv.: Joel B. Jacobs.  
 Jan. 6, 2014—U.S. Notice of Allowance—U.S. Appl. No. 29/447,085, filed Feb. 28, 2013; Inv.: Joel B. Jacobs.  
 Jan. 2, 2014—U.S. Requirement for Restriction—U.S. Appl. No. 29/447,089, filed Feb. 28, 2013; Inv.: Joel B. Jacobs.  
 Mar. 14, 2014—U.S. Notice of Allowance—29/447,089, filed Feb. 28, 2013; Inv.: Joel B. Jacobs.  
 Jan. 6, 2014—U.S. Notice of Allowance—U.S. Appl. No. 29/447,094, filed Feb. 28, 2013; Inv.: Joel B. Jacobs.  
 Jan. 7, 2014—U.S. Notice of Allowance—U.S. Appl. No. 29/447,097, filed Feb. 28, 2013; Inv.: Joel B. Jacobs.  
 Jan. 7, 2014—U.S. Notice of Allowance—U.S. Appl. No. 29/447,100, filed Feb. 28, 2013; Inv.: Joel B. Jacobs.  
 Nov. 28, 2016—U.S. Non-Final Office Action—U.S. Appl. No. 29/564,514, filed May 13, 2016; Inv.: Bryan A Sparks.  
 Apr. 5, 2017—U.S. Final Office Action—U.S. Appl. No. 29/564,514, filed May 13, 2016; Inv.: Bryan A Sparks.  
 Aug. 23, 2017—U.S. Notice of Allowance—U.S. Appl. No. 29/564,514, filed May 13, 2016; Inv.: Bryan A Sparks.  
 Apr. 5, 2017—U.S. Final Office Action—U.S. Appl. No. 29/564,518, filed May 13, 2016; Inv.: Bryan A Sparks.  
 Aug. 23, 2017—U.S. Notice of Allowance—U.S. Appl. No. 29/564,518, filed May 13, 2016; Inv.: Bryan A Sparks.  
 Apr. 5, 2017—U.S. Final Office Action—U.S. Appl. No. 29/564,522, filed May 13, 2016; Inv.: Bryan A Sparks.  
 Aug. 23, 2017—U.S. Notice of Allowance—U.S. Appl. No. 29/564,522, filed May 13, 2016; Inv.: Bryan A Sparks.  
 Apr. 21, 2017—U.S. Non-Final Office Action—U.S. Appl. No. 29/566,652, filed Jun. 1, 2016; Inv.: Bryan A Sparks.  
 Sep. 13, 2017—U.S. Notice of Allowance—U.S. Appl. No. 29/566,652, filed Jun. 1, 2016; Inv.: Bryan A Sparks.  
 Jun. 1, 2017—U.S. Non-Final Office Action—U.S. Appl. No. 29/564,601, filed May 13, 2016; Inv.: Bryan A Sparks.  
 Apr. 5, 2017—U.S. Final Office Action—U.S. Appl. No. 29/564,527; filed May 13, 2016; Inv.: Bryan A Sparks.  
 Aug. 23, 2017—U.S. Notice of Allowance—U.S. Appl. No. 29/564,527; filed May 13, 2016; Inv.: Bryan A Sparks.  
 Way Back Machine [online], [retrieved Jan. 16, 2013]. Retrieved from internet, <http://web.archive.org/web/20130116120917/http://www.klipsch.com/gallery-g17-air>.  
 Nintendo NES [online], [retrieved on May 14, 2013]. Retrieved from internet, [http://gamesdbase.com/system-nintendo\\_nes.aspr/&gt](http://gamesdbase.com/system-nintendo_nes.aspr/&gt).  
 “Nintendo Wii Review”, Top 10 Reviews ; URL: <http://www.toptenreviews.com/electronics/gaming/best-video-game-consoles/nintendo-wii/review/>; date accessed Sep. 27, 2016.  
 “PS4 Console”, PS4 Features, Games & Videos ; <URL:<https://www.playstation.com/en-us/explore/ps4/>>; date accessed Sep. 27, 2016.  
 “Sony Playstation 2”, The Video Game Critic’s Console Reviews ; <URL:<http://videogamecritic.com/ps2info.htm>>; date accessed Sep. 27, 2016.  
 K Box One S found online [Nov. 2, 2016] [http://www.xbox.com/en-US/xbox-one-s?&ocid=PORTALS\\_SEM\\_google\\_microsoft%20xbox&cid=PORTALS\\_SEM\\_google\\_microsoft%20xbox](http://www.xbox.com/en-US/xbox-one-s?&ocid=PORTALS_SEM_google_microsoft%20xbox&cid=PORTALS_SEM_google_microsoft%20xbox).  
 Nov. 30, 2016—U.S. Non-Final Office Action—U.S. Appl. No. 29/564,527, filed May 13, 2016; Inv.: Bryan A. Sparks.  
 Nov. 28, 2016—U.S. Non-Final Office Action—U.S. Appl. No. 29/564,514, filed May 13, 2016; Inv.: Bryan A. Sparks.  
 Nov. 30, 2016—U.S. Non-Final Office Action—U.S. Appl. No. 29/564,511, filed May 13, 2016; Inv.: Bryan A. Sparks.  
 Nov. 28, 2016—U.S. Non-Final Office Action—U.S. Appl. No. 29/564,518, filed May 13, 2016; Inv.: Bryan A. Sparks.  
 Nov. 30, 2016—U.S. Non-Final Office Action—U.S. Appl. No. 29/564,522, filed May 13, 2016; Inv.: Bryan A. Sparks.

(56)

**References Cited**

## OTHER PUBLICATIONS

AVS Forum; “Receivers, Amps, and Processors”; Publication date unknown but prior to filing date of present application; Date Accessed: Jul. 25, 2017; URL: <<http://www.avsforum.com/forum/90-receivers-amps-processors/1502957-onkyo-tx-sr601-any-good.html>>.

Ixht.com; “DolbyDigital Surround EX, DTS-ES 6.1”; Publication date unknown but prior to filing date of present application; Date Accessed: Jul. 25, 2017; URL: <<http://www.ixht.com/dvd/onkyo-tx-sr-600.shtml>>.

Grey Ghost; “Insignia NS-R2000 Stereo Receiver Review”; Publication date unknown but prior to filing date of present application; Date Accessed: Jul. 25, 2017; URL: <<http://greyghost.moos.com/nsr2000-review/>>.

Crutch Field; “Cambridge Audio Topaz SR20”; Publication date unknown but prior to filing date of present application; Date Accessed: Jul. 25, 2017; URL: <[https://www1.crutchfield.com/p\\_779SR20/Cambridge-Audio-Topaz-SR20.html](https://www1.crutchfield.com/p_779SR20/Cambridge-Audio-Topaz-SR20.html)>.

Stereophile; “Arcam FMJ SR250 stereo AV receiver”; Publication date: Jun. 1, 2017; Date Accessed: Jul. 25, 2017; URL: <<https://www.stereophile.com/taxonomy/term-p/143>>.

Electronic House; “Affordable 2-channel Receivers for Great Home Stereo Systems”; Publication date: Apr. 1, 2015; Date Accessed: Jul. 25, 2017; URL: <<https://www.electronichouse.com/home-audio/affordable-2-channel-receivers-great-home-stereo-systems/>>.

Audi Affair; “Arcam FMJ C49 Pre Amplifier”; Publication date unknown but prior to filing date; Date Accessed: Jul. 25, 2017; URL: <<http://www.audioaffair.co.uk/arcam-c49-pre-amplifier>>.

Hifi-Prestige; “Arcam FMJ A 39”; Publication date unknown but prior to filing date; Date Accessed: Jul. 25, 2017; URL: <<http://www.hifiprestige.it/it/amplificatori-integrati/7517-arcam-fmj-a-39.html>>.

Hifi-Prestige; “Arcam FMJ AVR 550”; Publication date unknown but prior to filing date; Date Accessed: Jul. 25, 2017; URL: <<http://www.hifiprestige.it/it/sintoamplificatori-a-v/9343-arcam-fmj-avr-550.html>>.

Hifi-Prestige; “Arcam FMJ C 49”; Publication date unknown but prior to filing date; Date Accessed: Jul. 25, 2017; URL: <<http://www.hifiprestige.it/it/preamplification/7514-arcam-fmj-c-49.html>>.

Hifi-Prestige; “Arcam FMJ UDP 411”; Publication date unknown but prior to filing date; Date Accessed: Jul. 25, 2017; URL: <<http://www.hifiprestige.it/it/accessori-multimediali/7519-arcam-fmj-udp-411.html>>.

Hifi-Prestige; “Arcam FMJ A19 Black—Amplificatore Integrato”; Publication date unknown but prior to filing date; Date Accessed: Jul. 25, 2017; URL: <<http://www.hifiprestige.it/it/amplificatori-integrati/6523-arcam-fmj-a19-black.html>>.

Best Buy; “Insignia—200W 2.0-Ch. Stereo Receiver—Black”; Publication date unknown but prior to filing date; Date Accessed: Jul. 25, 2017; URL: <<http://www.bestbuy.com/site/insignia-200w-2-0-ch-stereo-receiver-black/4156007.p?skuId=4156007>>.

Best Buy; “Yamaha—165W 2.0-Ch. Stereo Receiver—Black”; Publication date unknown but prior to filing date; Date Accessed: Jul. 25, 2017; URL: <<http://www.bestbuy.com/site/yamaha-165w-2-0-ch-stereo-receiver-black/3817026.p?skuId=3817026>>.

Best Buy; “Denon—AVR 5.2-Ch. 4K Ultra HD and 3D Pass-Through A/V Home Theater Receiver—Black”; Publication date unknown but prior to filing date; Date Accessed: Jul. 25, 2017; URL: <<http://www.bestbuy.com/site/denon-avr-5-2-ch-4k-ultra-hd-and-3d-pass-through-a-v-home-theater-receiver-black/5756606.p?skuId=5756606>>.

Best Buy; “Yamaha—5.1-Ch. 4K Ultra HD and 3D Pass-Through A/V Home Theater Receiver—Black”; Publication date unknown but prior to filing date; Date Accessed: Jul. 25, 2017; URL: <<http://www.bestbuy.com/site/yamaha-5-1-ch-4k-ultra-hd-and-3d-pass-through-a-v-home-theater-receiver-black/5784593.p?skuId=5784593>>.

U.S. Appl. No. 29/607,124, filed Jun. 9, 2017.

U.S. Appl. No. 29/607,129, filed Jun. 9, 2017.

U.S. Appl. No. 29/607,139, filed Jun. 9, 2017.

U.S. Appl. No. 29/607,141, filed Jun. 9, 2017.

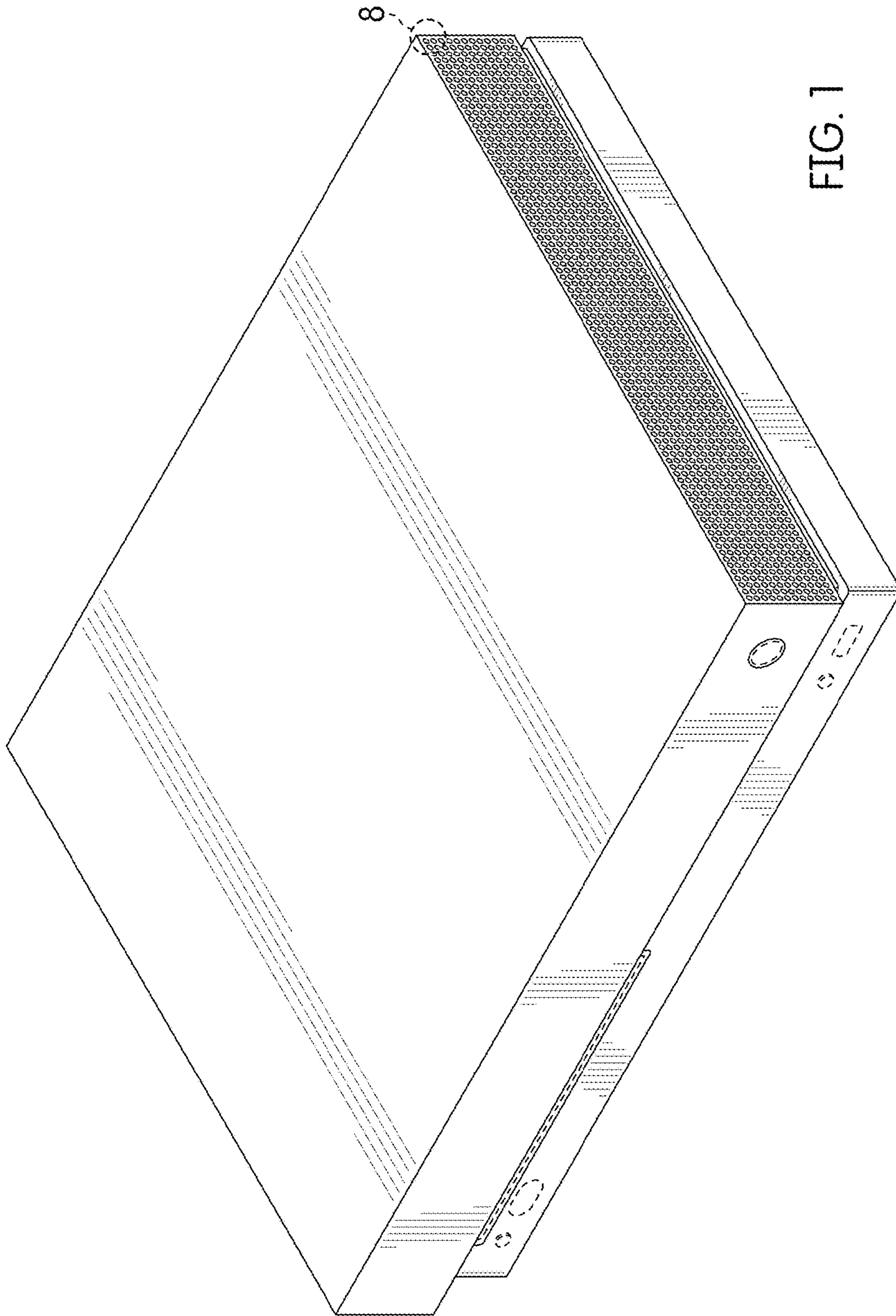
U.S. Appl. No. 29/607,145, filed Jun. 9, 2017.

U.S. Appl. No. 29/607,147, filed Jun. 9, 2017.

U.S. Appl. No. 29/607,149, filed Jun. 9, 2017.

U.S. Appl. No. 29/607,151, filed Jun. 9, 2017.

\* cited by examiner



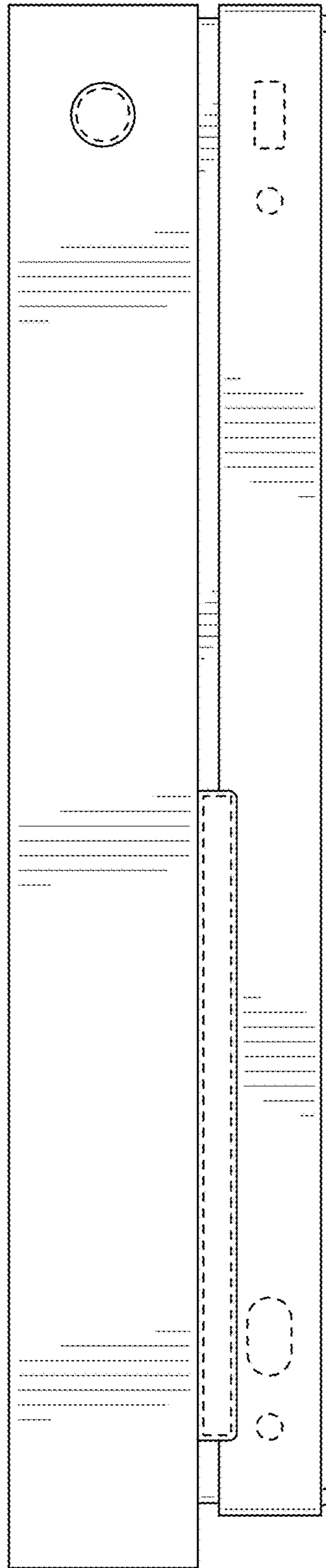


FIG. 2

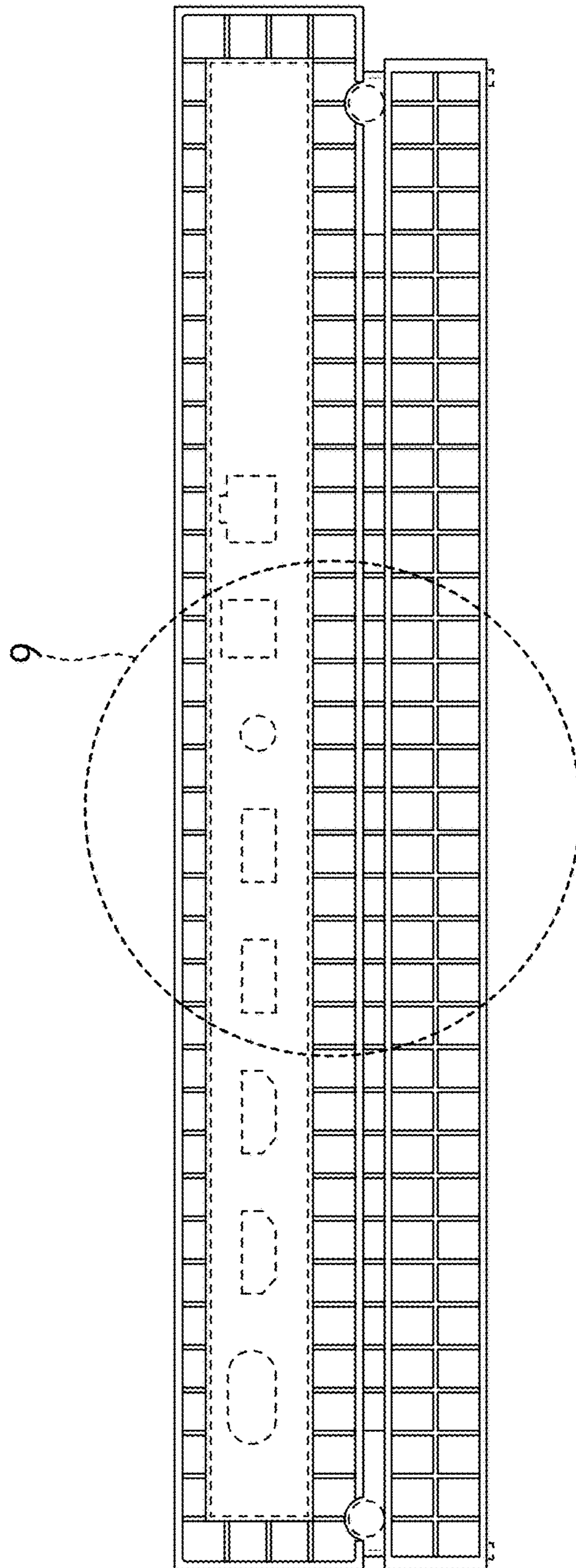


FIG. 3

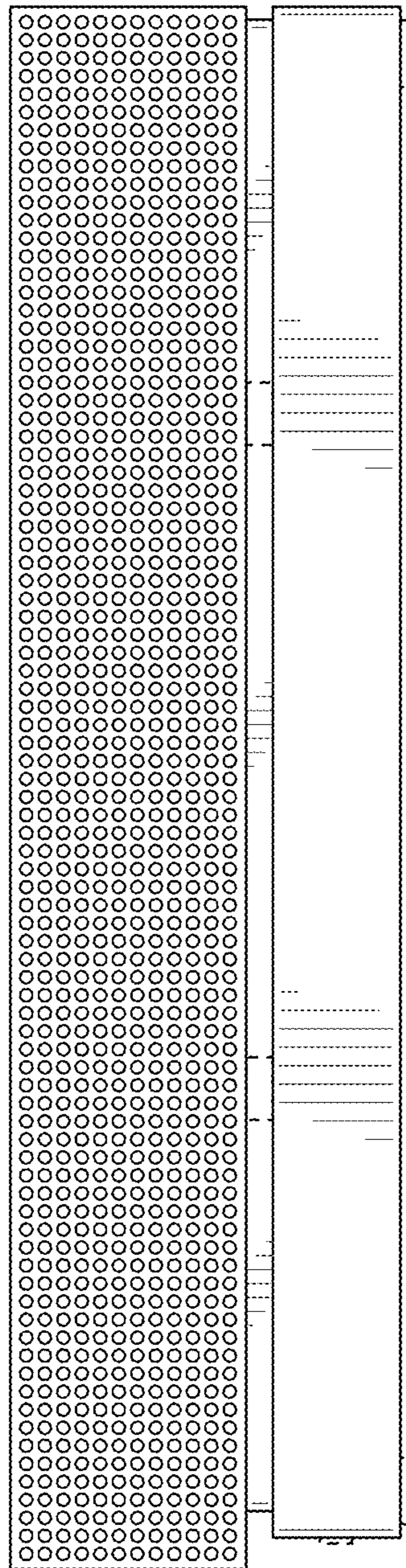


FIG. 4

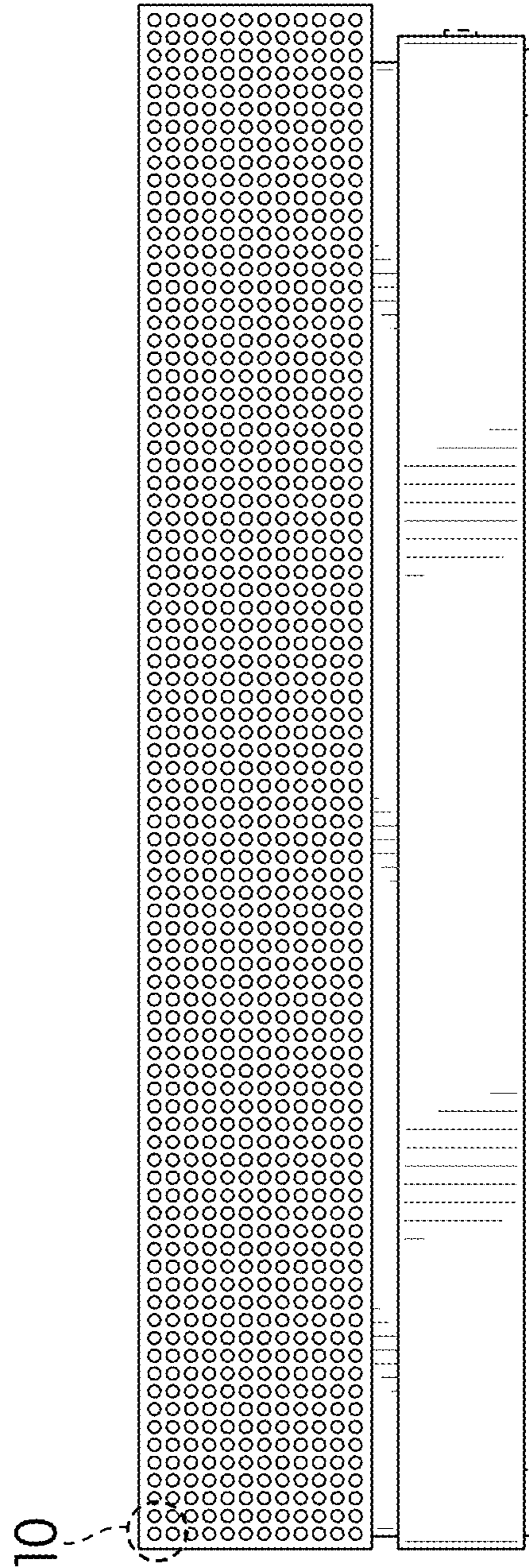


FIG. 5



FIG. 6

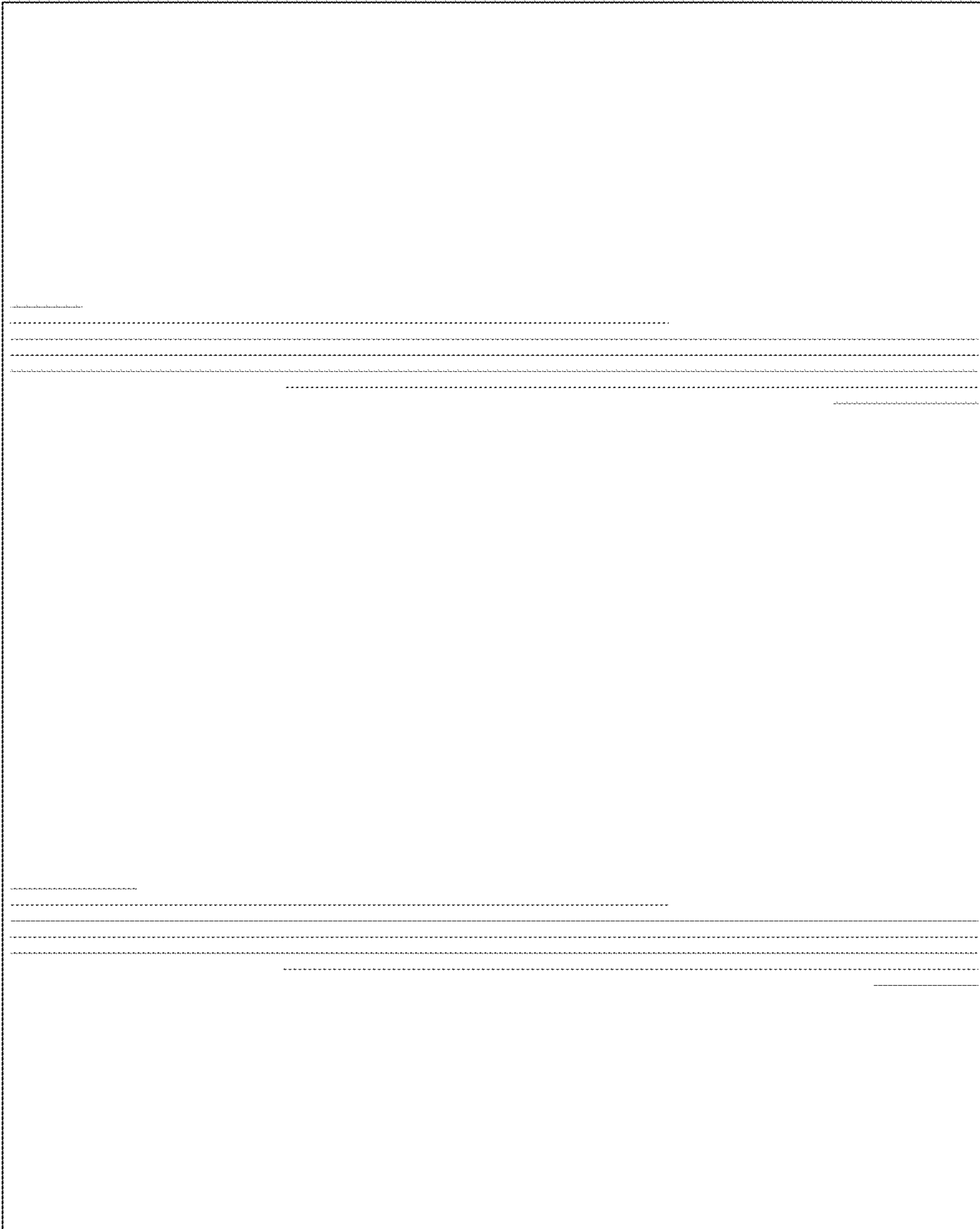
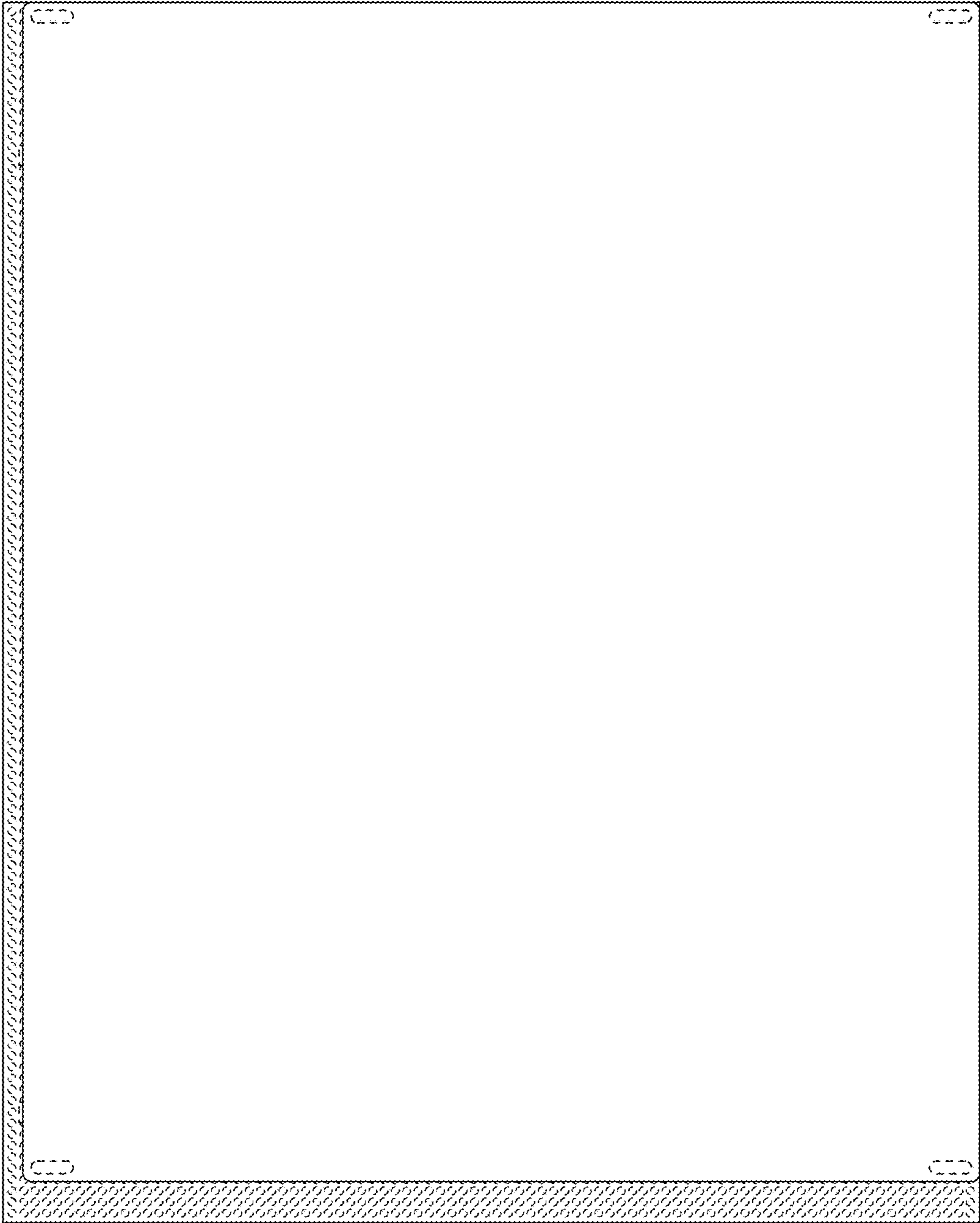


FIG. 7



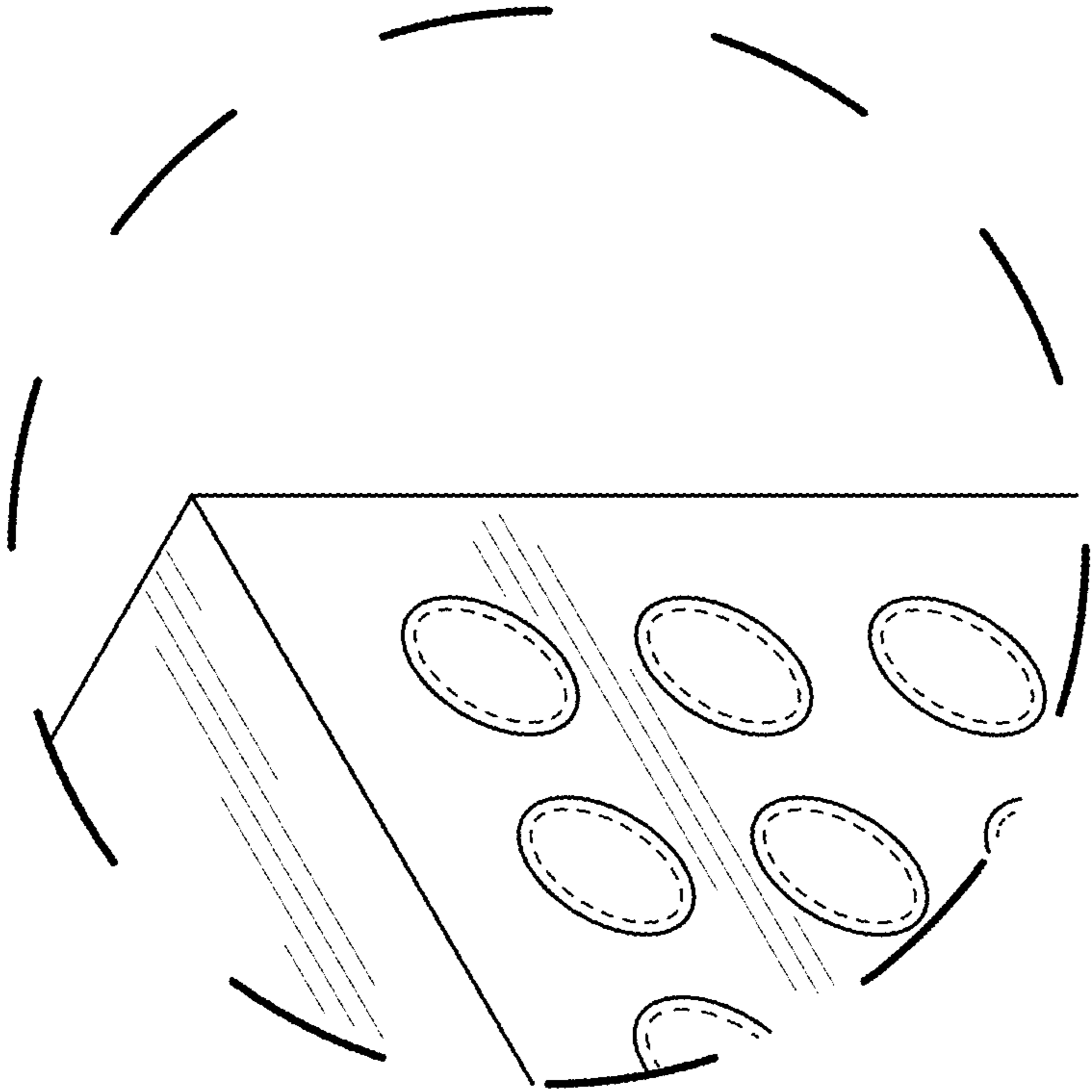


FIG. 8

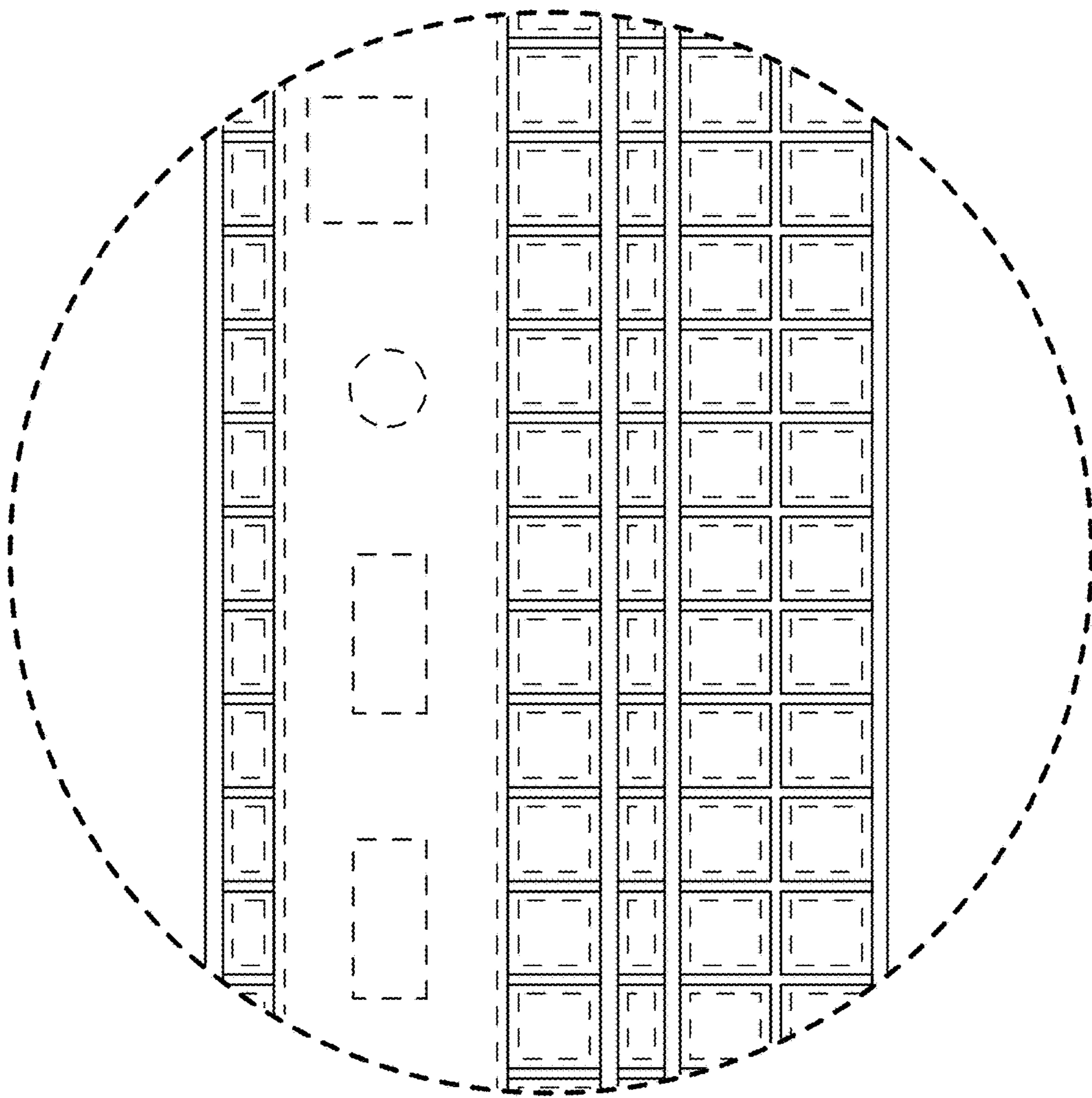


FIG. 9

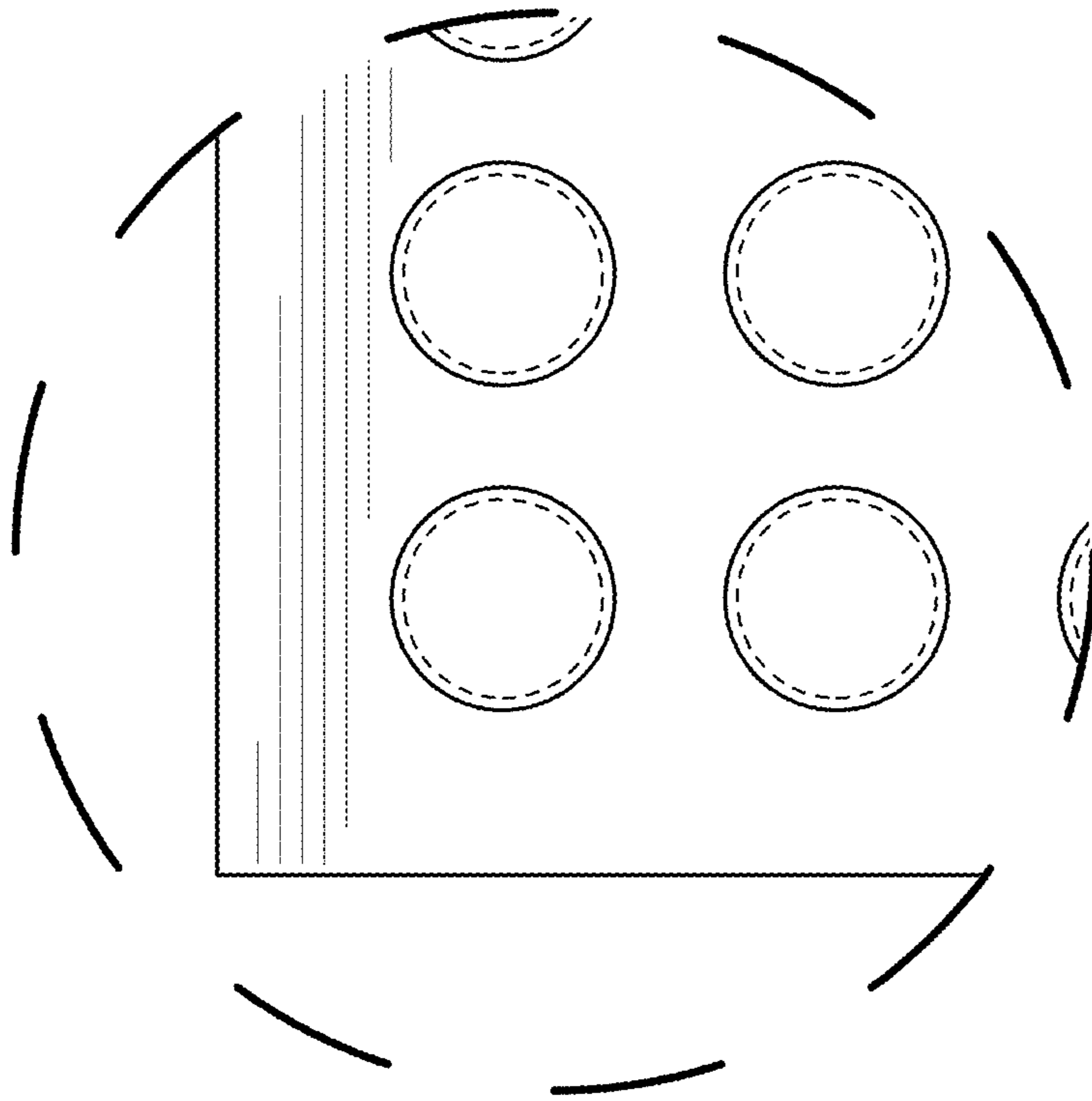


FIG. 10