



US00D826333S

(12) **United States Design Patent** (10) **Patent No.:** **US D826,333 S**
Hlavin (45) **Date of Patent:** **** Aug. 21, 2018**

- (54) **PORTABLE SIGN**
- (71) Applicant: **Markers, Inc.**, Avon Lake, OH (US)
- (72) Inventor: **Dale J. Hlavin**, Westlake, OH (US)
- (73) Assignee: **MARKERS, INC.**, Avon Lake, OH (US)
- (**) Term: **15 Years**
- (21) Appl. No.: **29/550,235**
- (22) Filed: **Dec. 31, 2015**
- (51) **LOC (11) Cl.** **20-02**
- (52) **U.S. Cl.**
USPC **D20/40; D20/41**
- (58) **Field of Classification Search**
USPC D20/10, 17-19, 40-43, 99; D10/109.1, D10/113.4
CPC G09F 1/00; G09F 1/02; G09F 1/04; G09F 1/06; G09F 2007/1804; G09F 7/00; G09F 7/18; G09F 3/00; G09F 3/04; G09F 9/00; G09F 11/00; G09F 13/00; G09G 15/00
See application file for complete search history.

- (56) **References Cited**
U.S. PATENT DOCUMENTS
3,350,804 A * 11/1967 Guyer, Jr. G09F 1/14 206/459.5
4,539,767 A * 9/1985 Jaffe F16L 1/11 40/316
4,760,660 A * 8/1988 Fast G09F 3/04 40/308
5,186,119 A 2/1993 Hlavin
7,062,873 B2 6/2006 Hlavin
7,100,529 B2 9/2006 Hlavin
7,913,649 B2 * 3/2011 LeCavalier A01K 1/0107 119/165

D754,254 S * 4/2016 Dashe D20/40
2006/0260532 A1 11/2006 Hlavin
2017/0092163 A1* 3/2017 Hlavin G09F 7/18
* cited by examiner

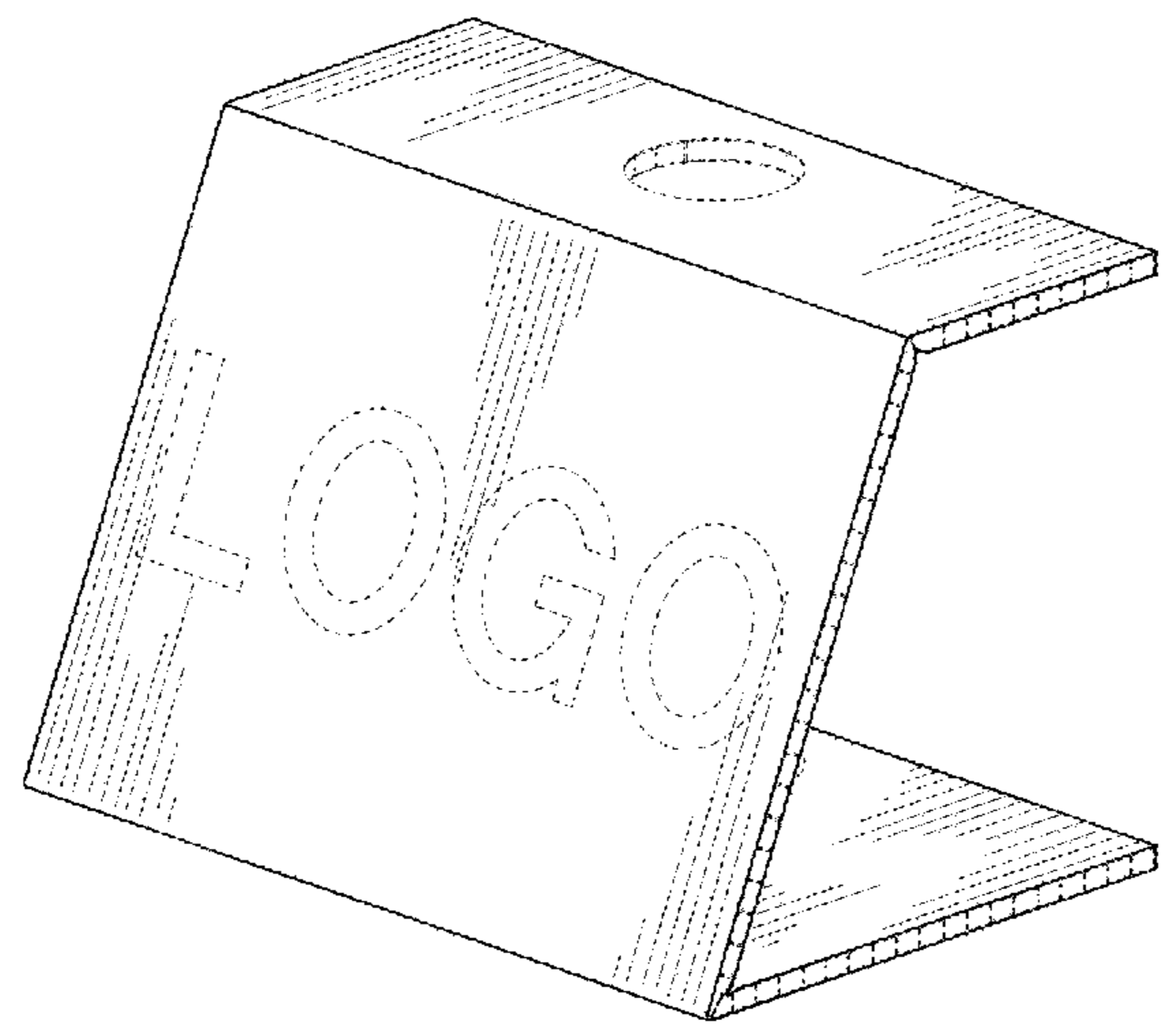
Primary Examiner — Mary Ann Calabrese
(74) *Attorney, Agent, or Firm* — Tarolli, Sundheim, Covell & Tummino LLP

(57) **CLAIM**
The ornamental design for a portable sign, as shown and described.

DESCRIPTION

FIG. 1 is a front perspective view of a portable sign shown in a first usage environment of the present disclosure; FIG. 2 is a front perspective view of the portable sign as shown in FIG. 1; FIG. 3 is a right side elevation view thereof; FIG. 4 is a top perspective view thereof; FIG. 5 is a front elevation view thereof; FIG. 6 is a rear elevation view thereof; FIG. 7 is a top plan view thereof; FIG. 8 is a bottom plan view thereof; FIG. 9 is a front perspective view of the portable sign of FIG. 1 shown in an alternative position; FIG. 10 is a front elevation view of the portable sign shown in FIG. 9; FIG. 11 is a front perspective view of a portable sign illustrated in accordance with an alternate embodiment of the present disclosure; FIG. 12 is a rear perspective view thereof; FIG. 13 is a right side elevation view thereof; FIG. 14 is a front elevation view thereof; FIG. 15 is a rear elevation view thereof; and, FIG. 16 is a top plan view thereof, the bottom plan view being identical to the top plan view thereof. The evenly spaced dash-dash broken lines illustrate environment that forms no part of the claimed design. The dash-dot-dot broken lines illustrate a score line.

1 Claim, 7 Drawing Sheets



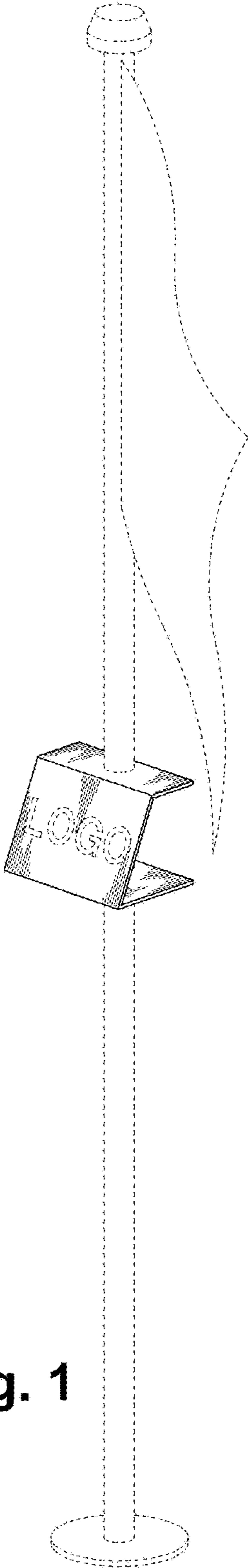


Fig. 1

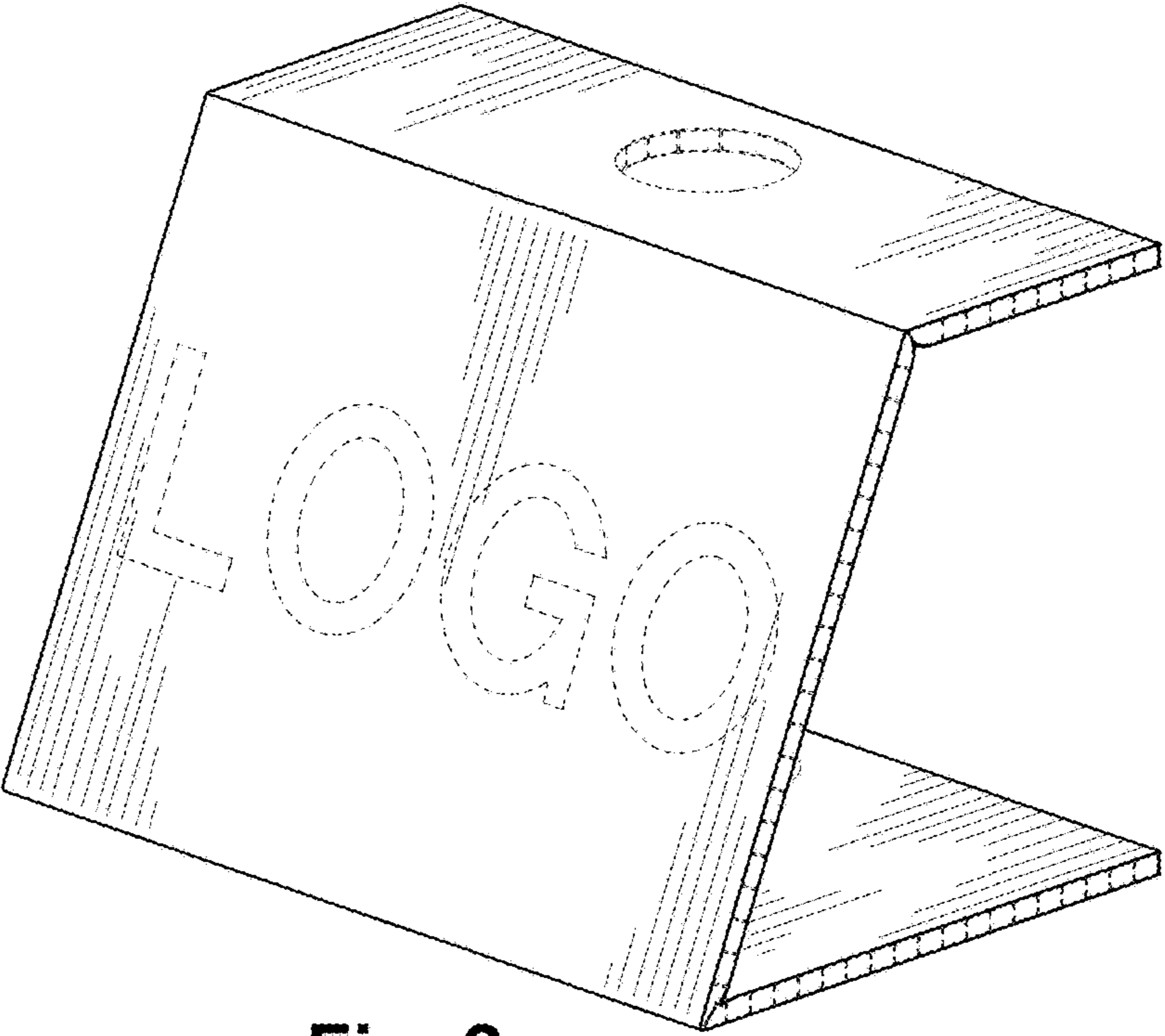


Fig. 2

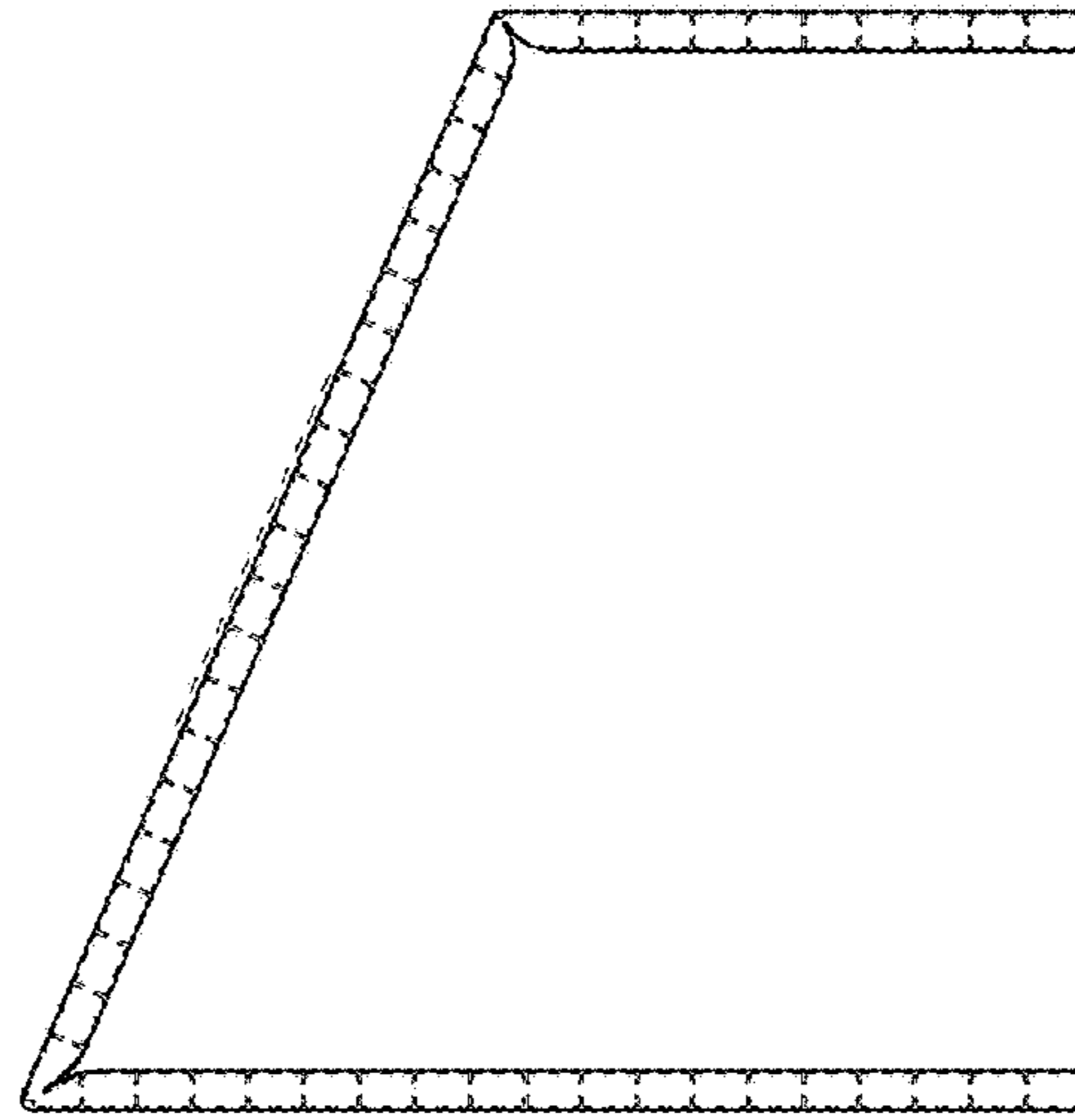


Fig. 3

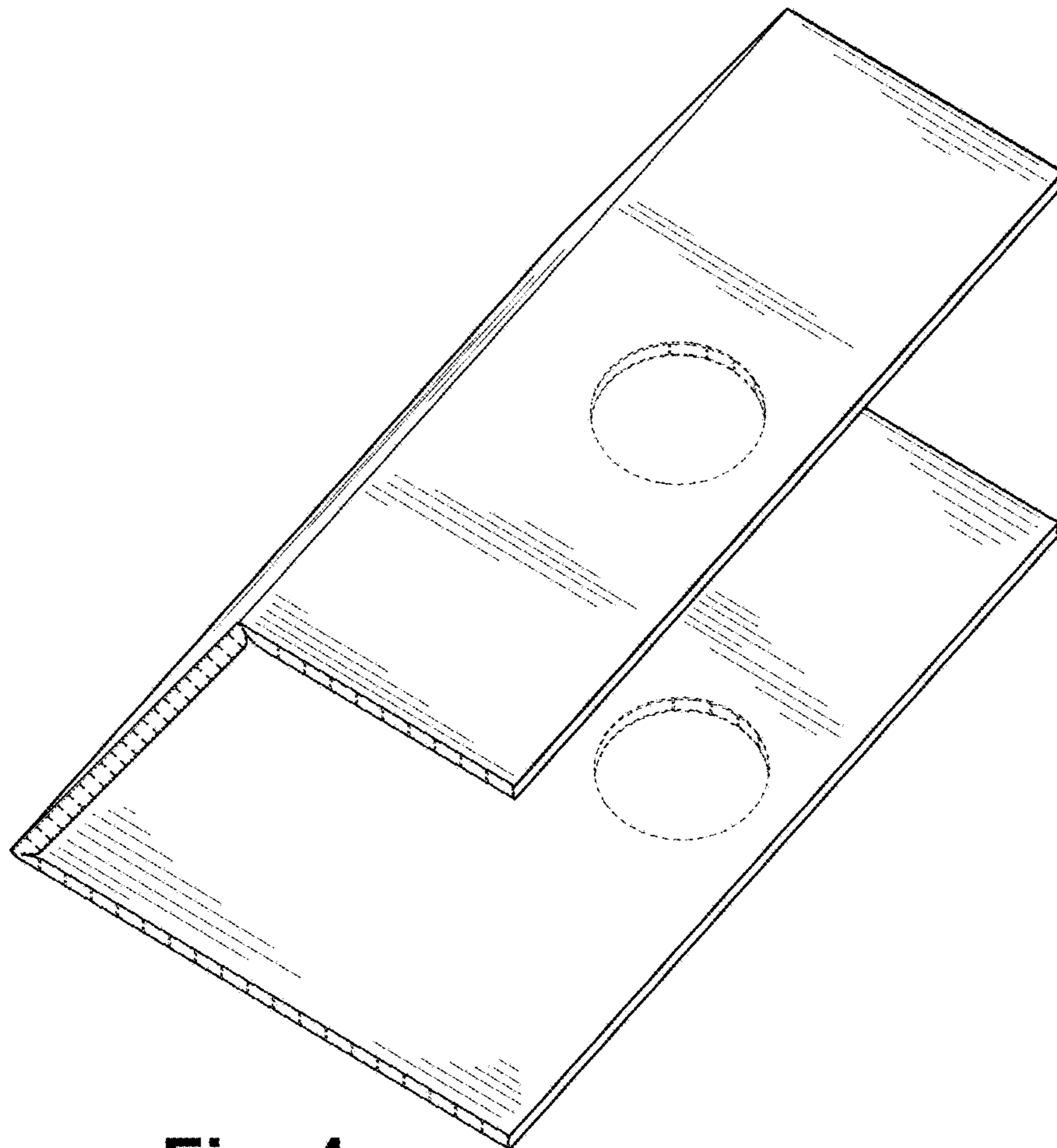


Fig. 4

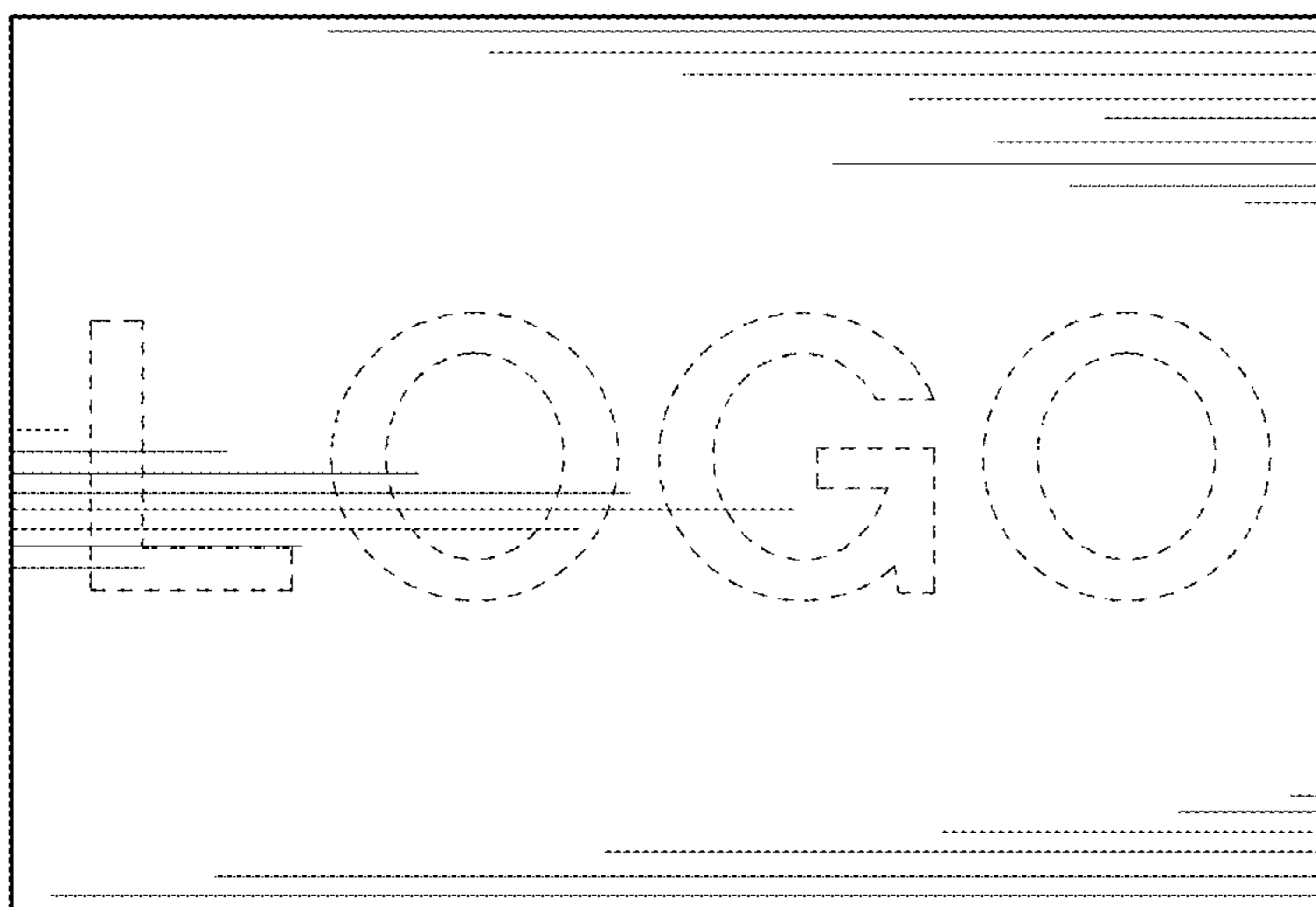


Fig. 5

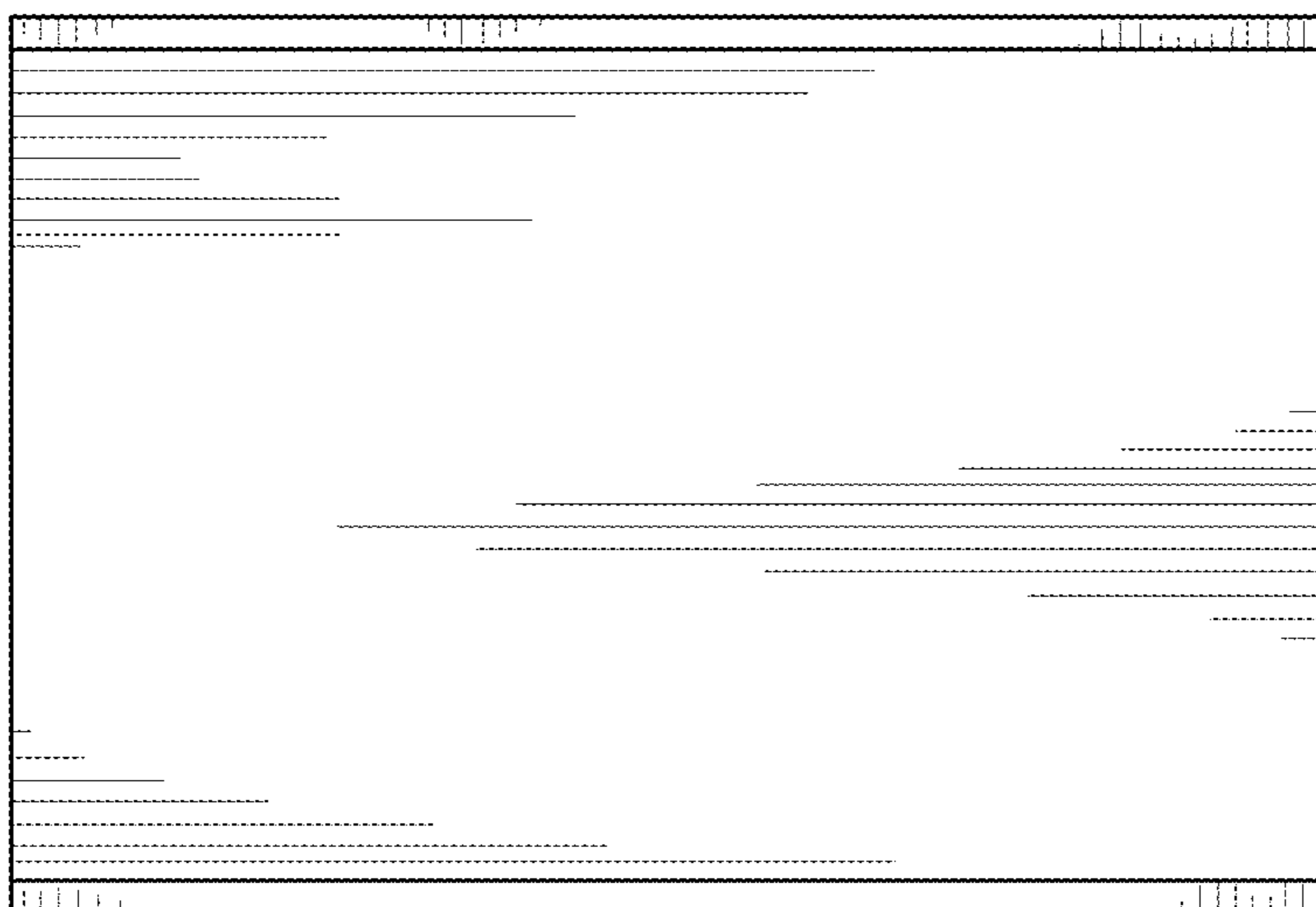


Fig. 6

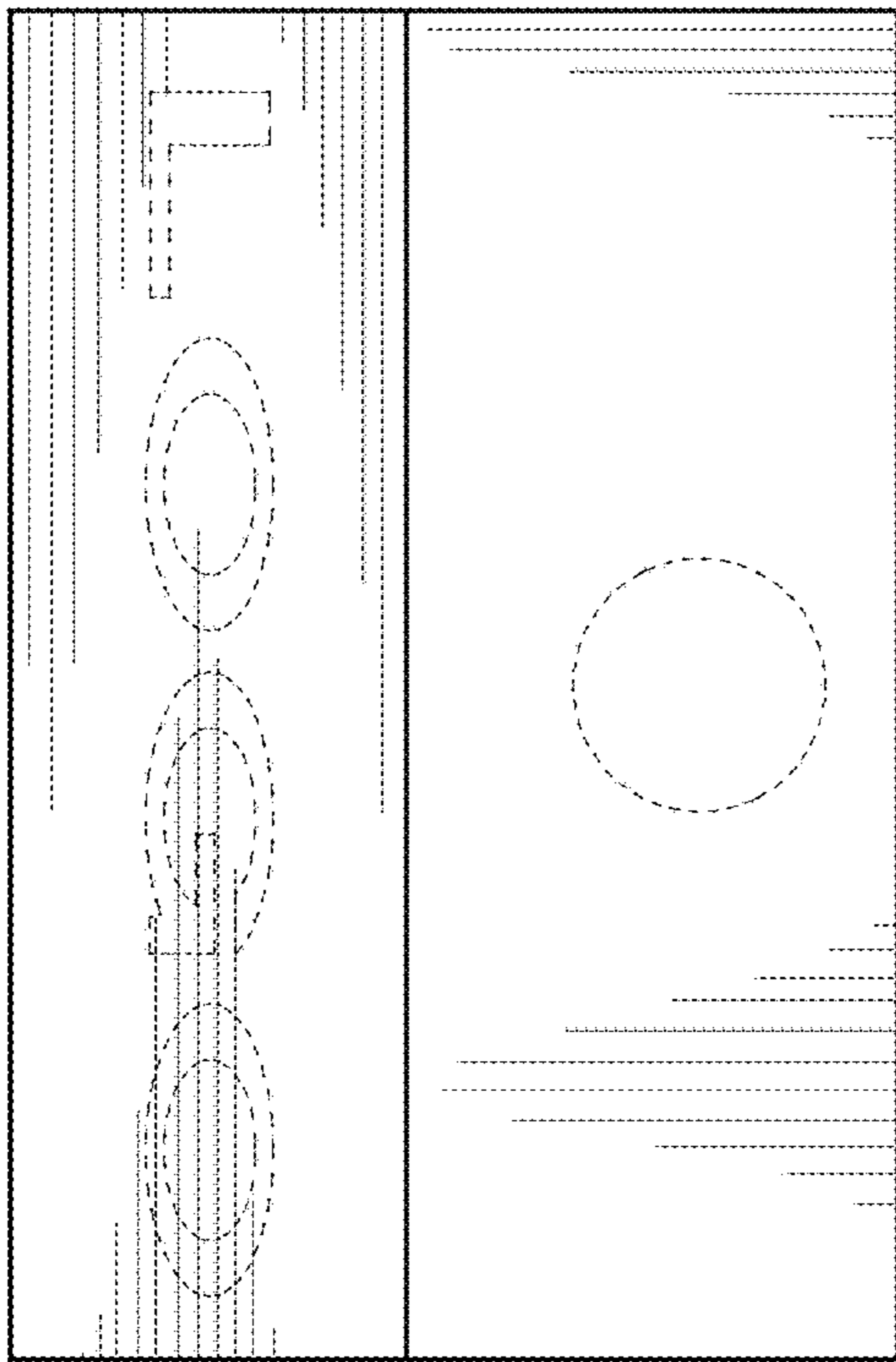


Fig. 7

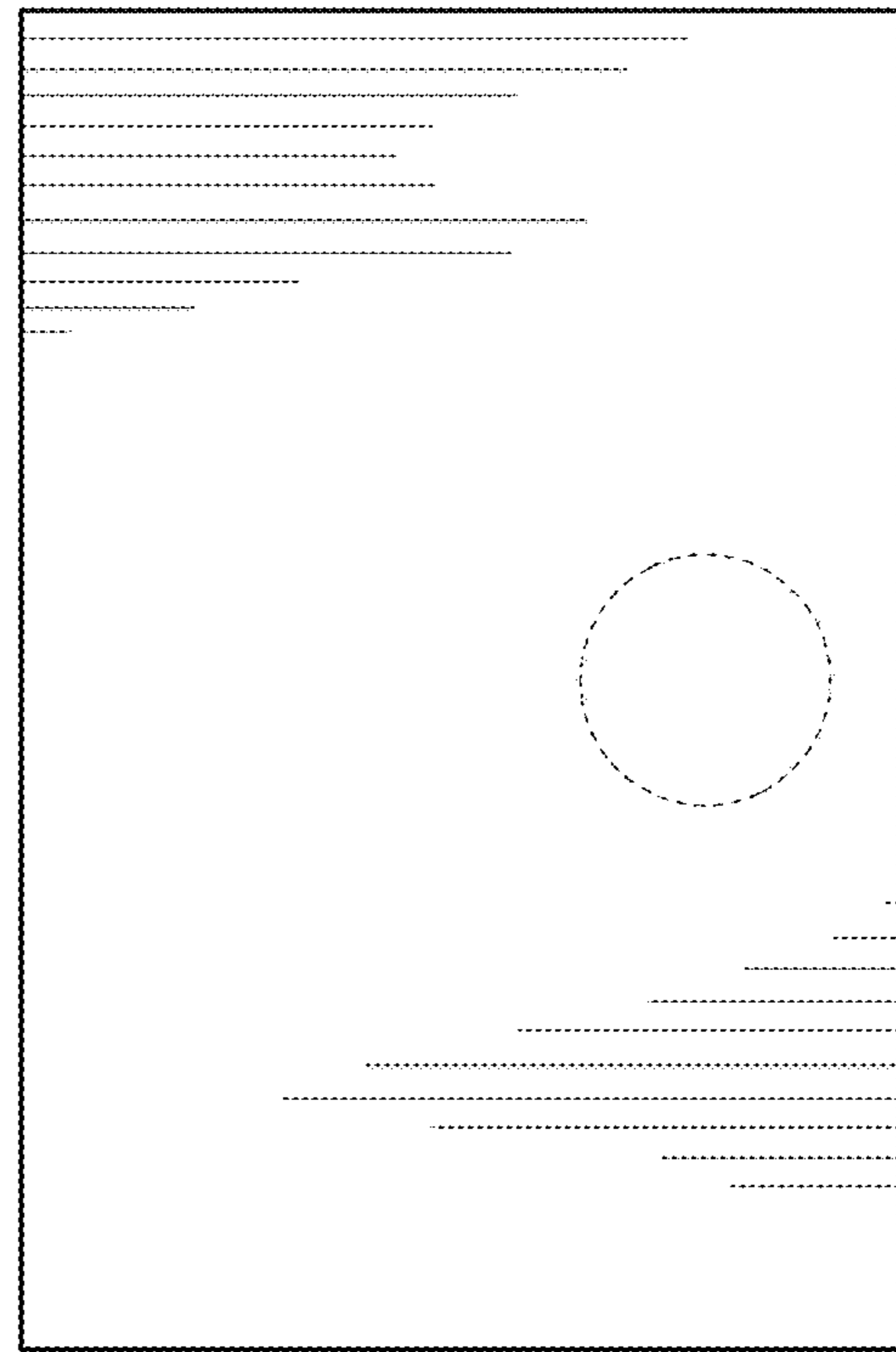


Fig. 8

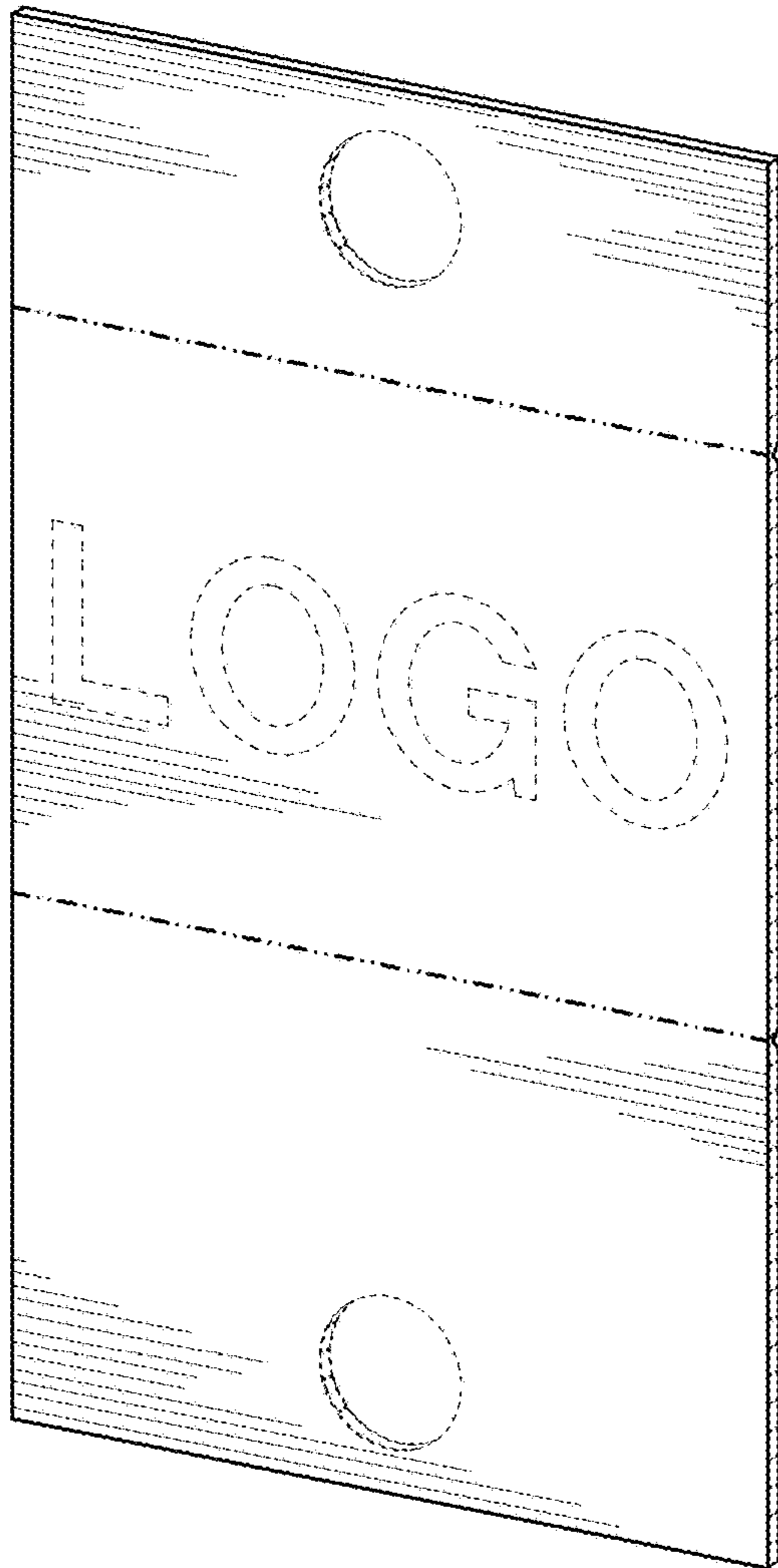


Fig. 9

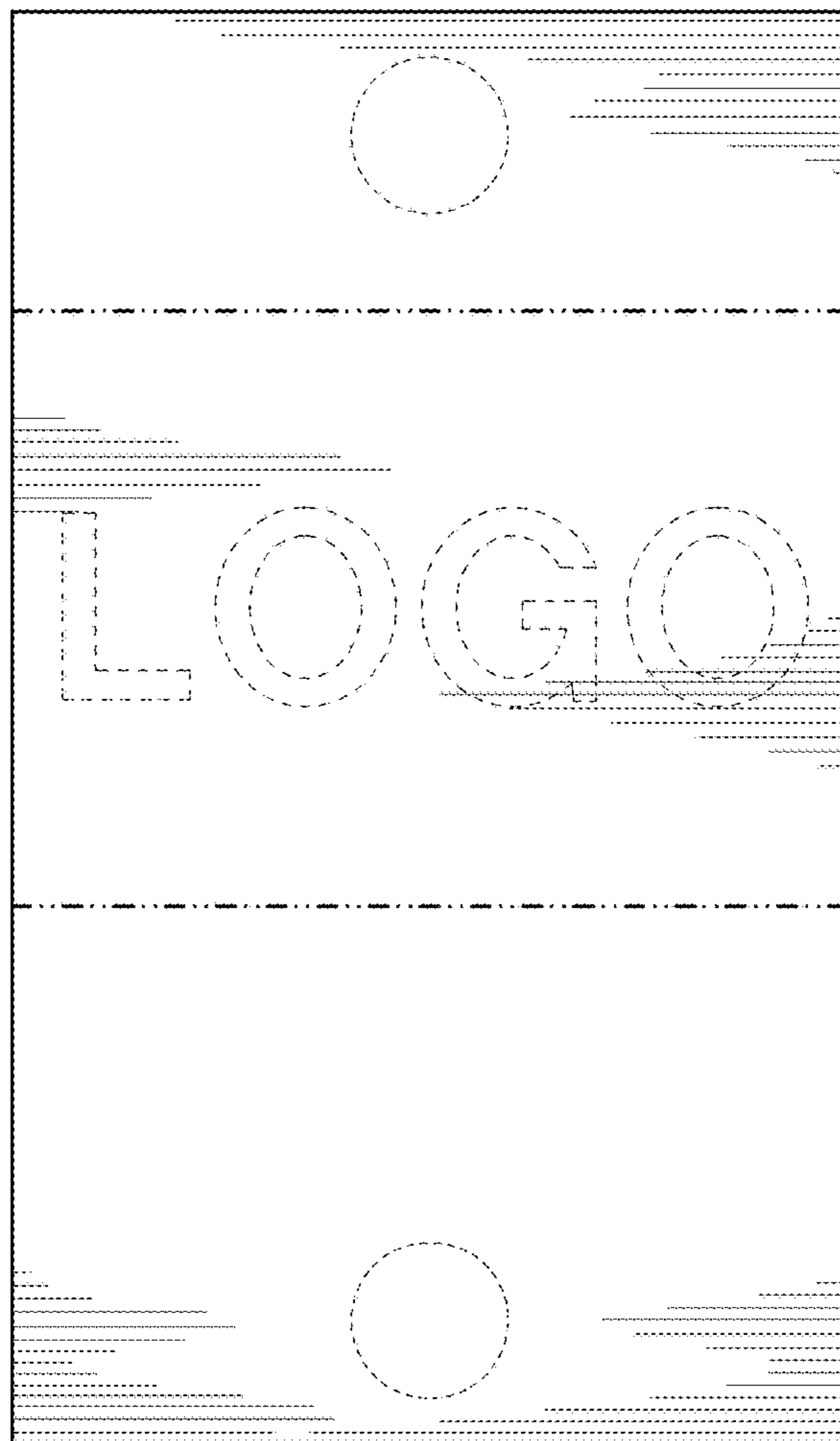


Fig. 10

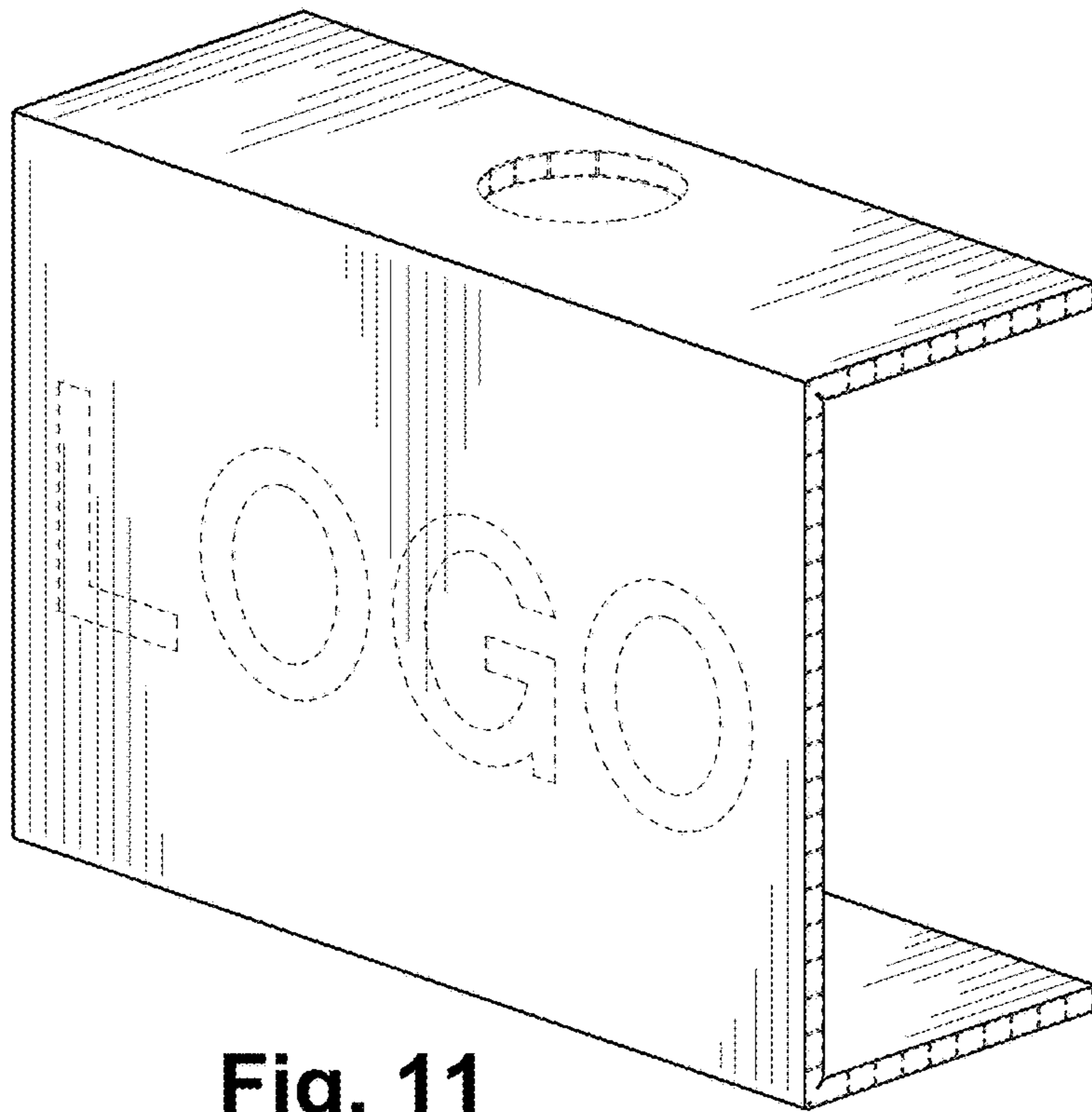


Fig. 11

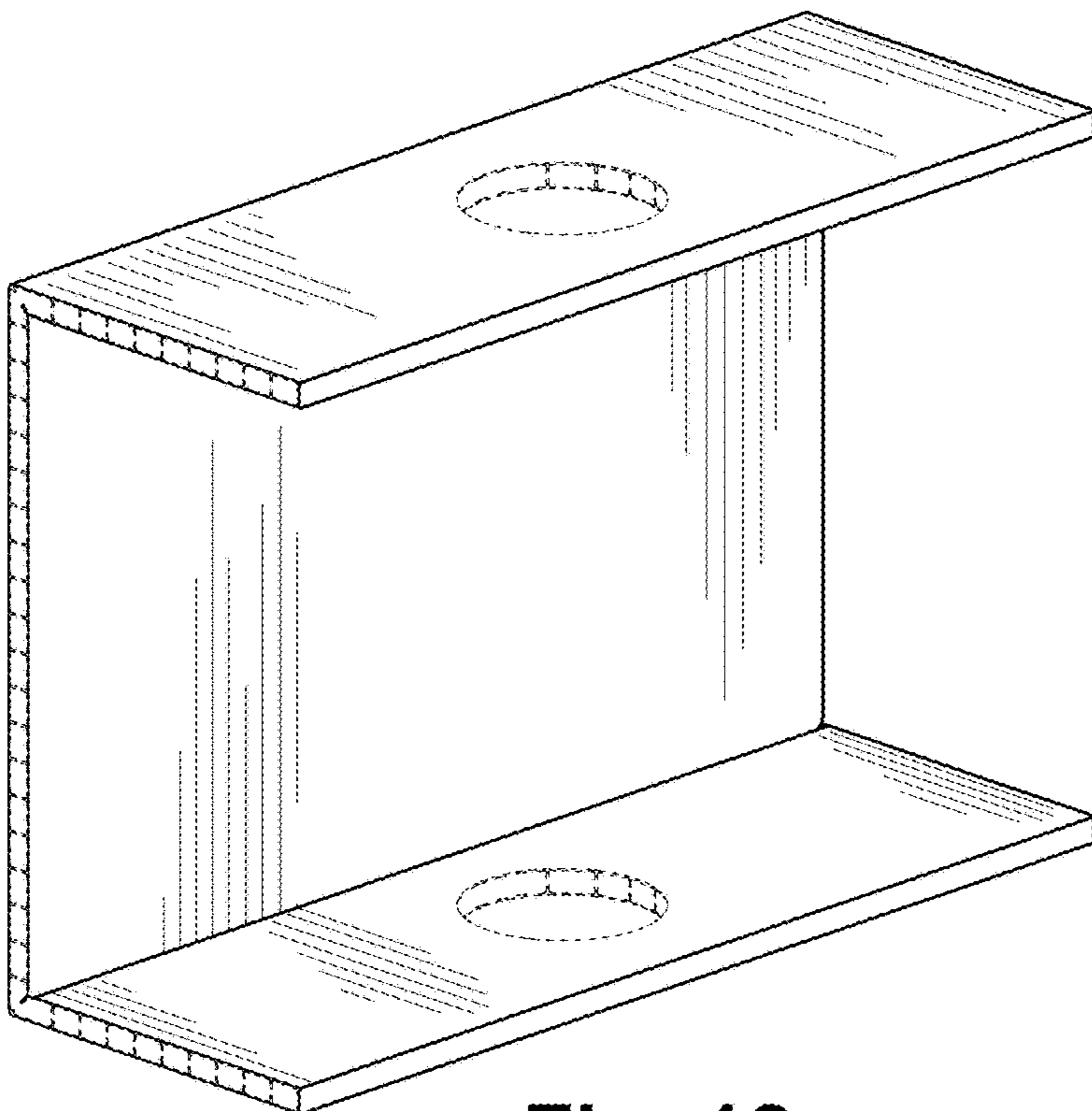


Fig. 12

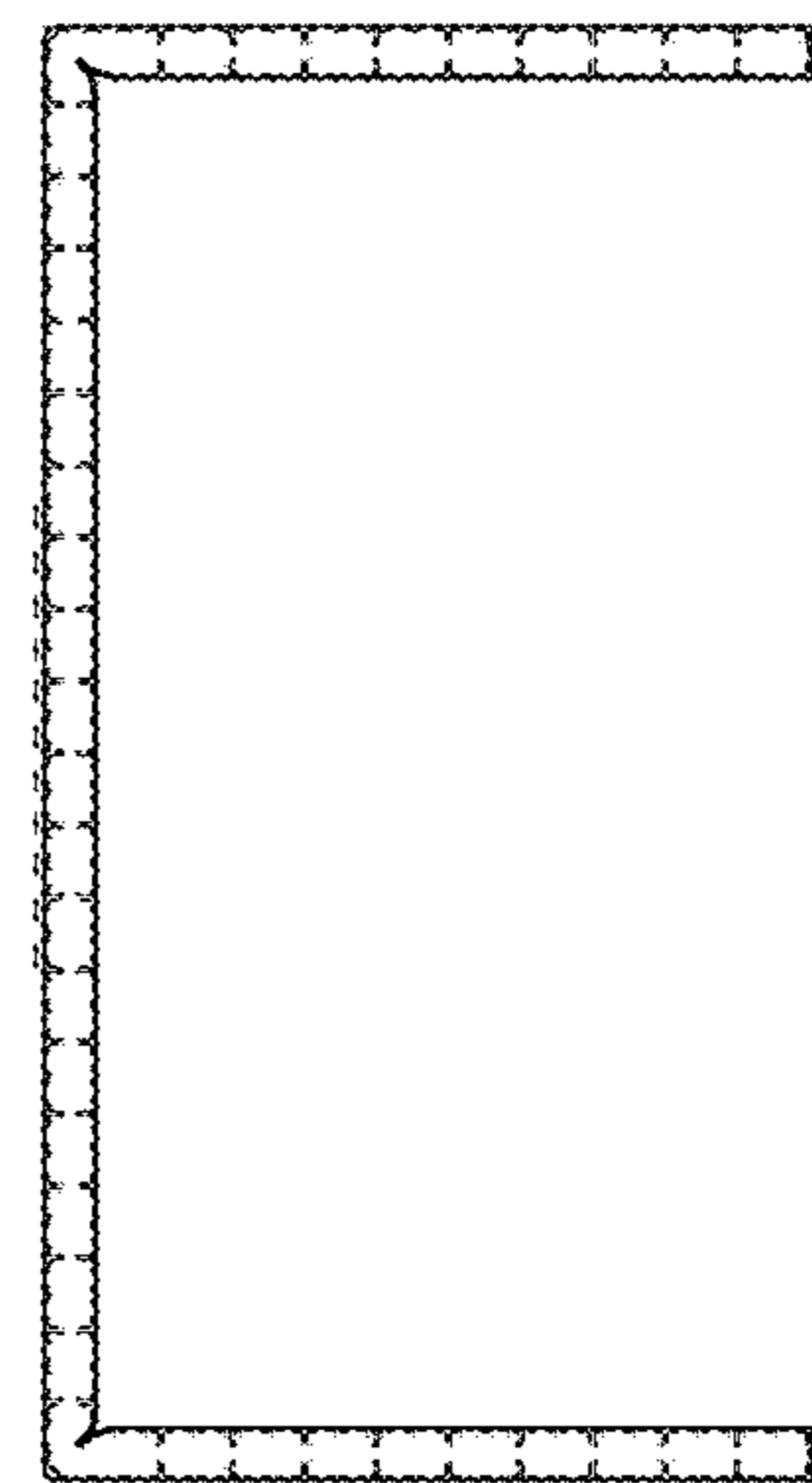


Fig. 13

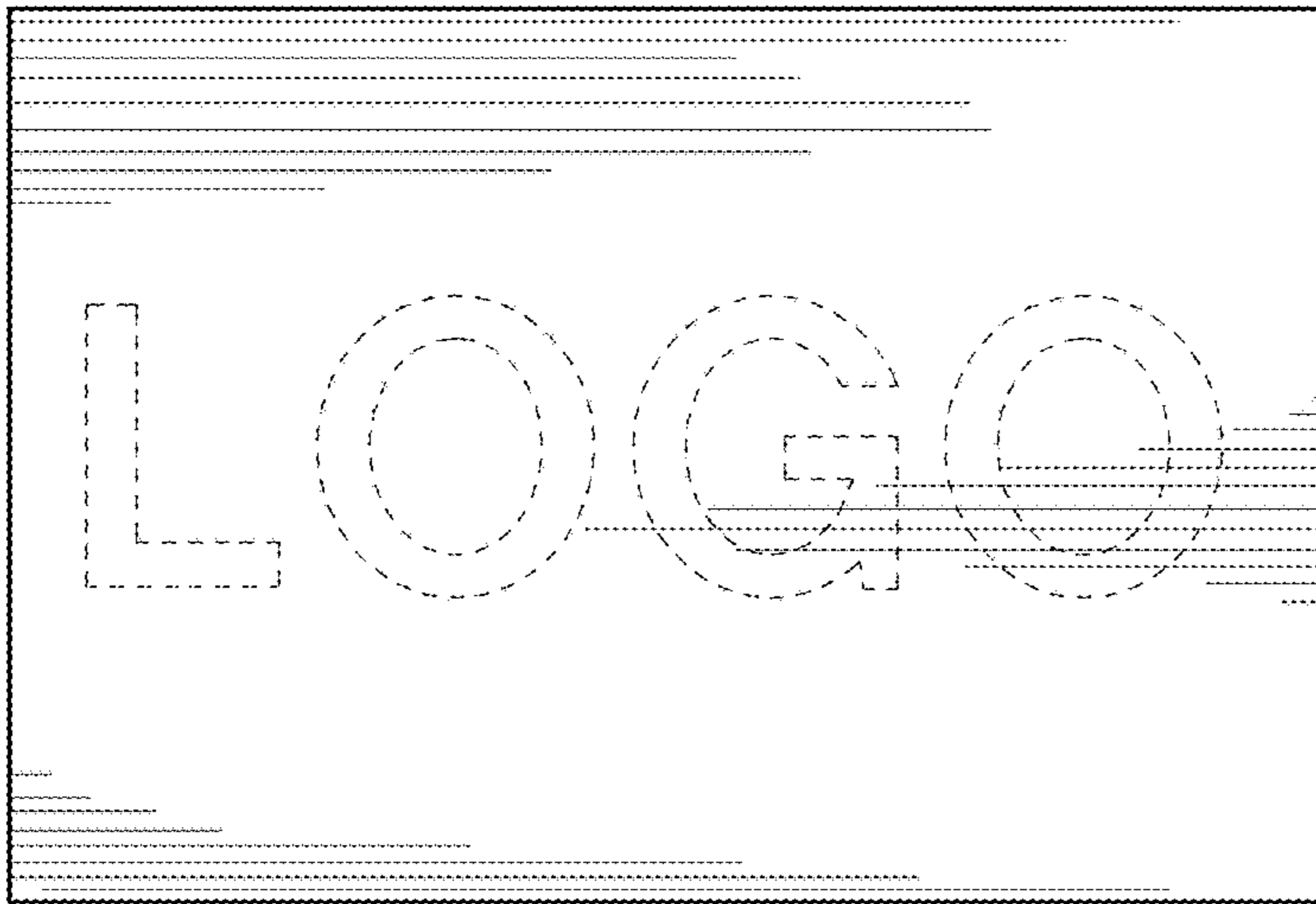


Fig. 14

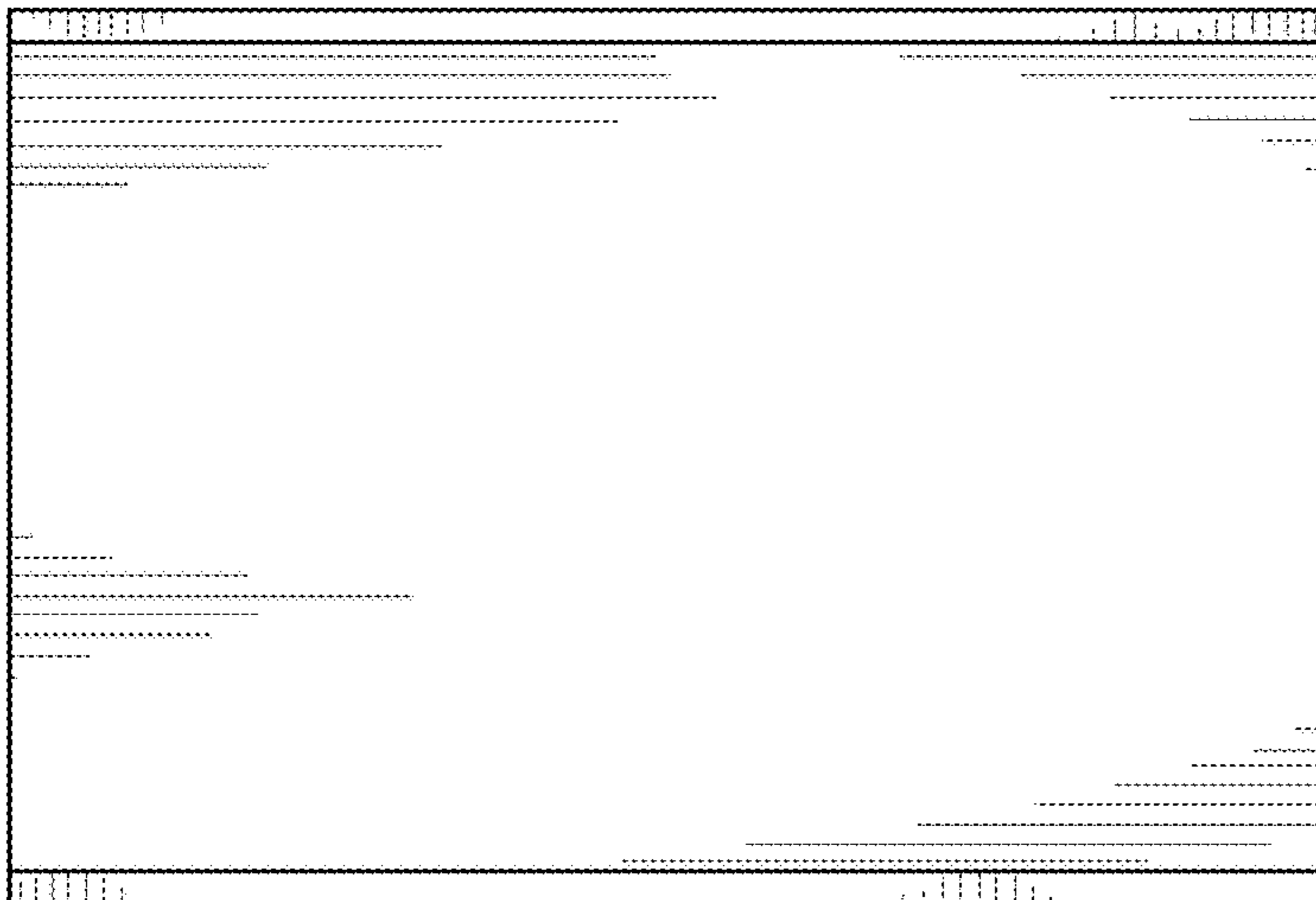


Fig. 15

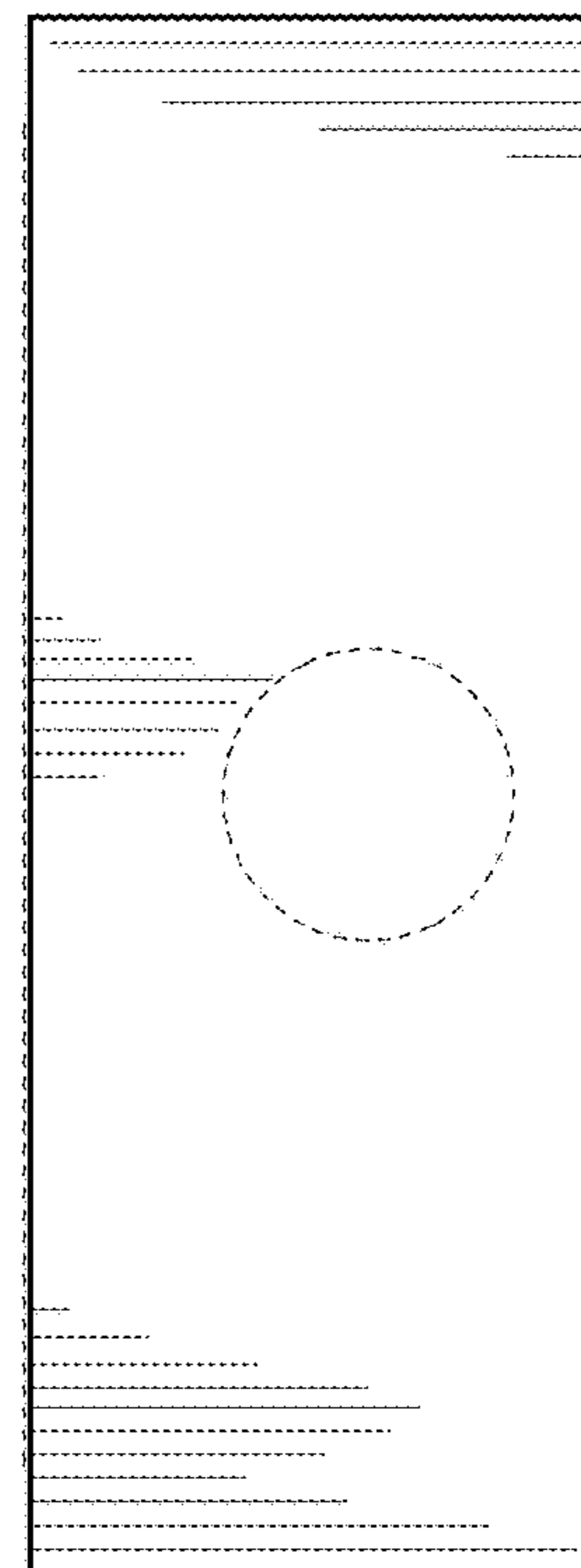


Fig. 16