



US00D826320S

(12) **United States Design Patent**
Ikegame

(10) **Patent No.:** **US D826,320 S**

(45) **Date of Patent:** **** Aug. 21, 2018**

- (54) **PRINTER**
- (71) Applicant: **FUJIFILM Corporation**, Tokyo (JP)
- (72) Inventor: **Haruka Ikegame**, Tokyo (JP)
- (73) Assignee: **FUJIFILM Corporation**, Tokyo (JP)
- (**) Term: **15 Years**
- (21) Appl. No.: **29/618,599**
- (22) Filed: **Sep. 22, 2017**

8,974,052	B2 *	3/2015	Tanaka	B41J 3/36	347/108
D747,764	S *	1/2016	Isozaki	D18/50	
D751,143	S *	3/2016	Kim	D18/50	
D751,636	S *	3/2016	Kinoshita	D18/19	
D760,834	S *	7/2016	Takahashi	D18/19	
D760,835	S *	7/2016	Takahashi	D18/19	
D787,512	S *	5/2017	Chana	D14/349	
D790,006	S *	6/2017	Yoshida	D18/14	
D800,209	S *	10/2017	Kamei	D18/14	
D800,210	S *	10/2017	Kamei	D18/14	
D800,211	S *	10/2017	Kamei	D18/14	
D812,682	S *	3/2018	Azegami	D18/50	
D815,194	S *	4/2018	Villalobos	D18/50	
2006/0165467	A1 *	7/2006	Kawakami	B41J 3/4075	400/613

(30) **Foreign Application Priority Data**

Mar. 24, 2017 (JP) 2017-006074

(51) **LOC (11) Cl.** **18-02**

(52) **U.S. Cl.**
USPC **D18/50**

(58) **Field of Classification Search**
USPC D18/50, 14, 36-37, 54; D14/314,
D14/351-352, 348-349
CPC B41J 15/00; B41J 11/00; B41J 3/36; B41J
3/4075
See application file for complete search history.

(56) **References Cited**

U.S. PATENT DOCUMENTS

D299,346	S *	1/1989	Lehman	D18/54
D497,908	S *	11/2004	Poole	D14/349
D538,839	S *	3/2007	Moskaluk	16/208
D664,592	S *	7/2012	Nakagawa	D18/50
D685,415	S *	7/2013	Kinoshita	D18/54

* cited by examiner

Primary Examiner — Robin Valery Webster

Assistant Examiner — James C. Thorn, Sr.

(74) *Attorney, Agent, or Firm* — Sughrue Mion, PLLC

(57) **CLAIM**

The ornamental design for a printer, as shown and described.

DESCRIPTION

FIG. 1 is a top, front and left side perspective view of a printer showing my new design;
FIG. 2 is a top, rear and right side perspective view thereof;
FIG. 3 is a front elevational view thereof;
FIG. 4 is a top plan view thereof;
FIG. 5 is a bottom plan view thereof; and,
FIG. 6 is a left side elevational view thereof.

1 Claim, 5 Drawing Sheets

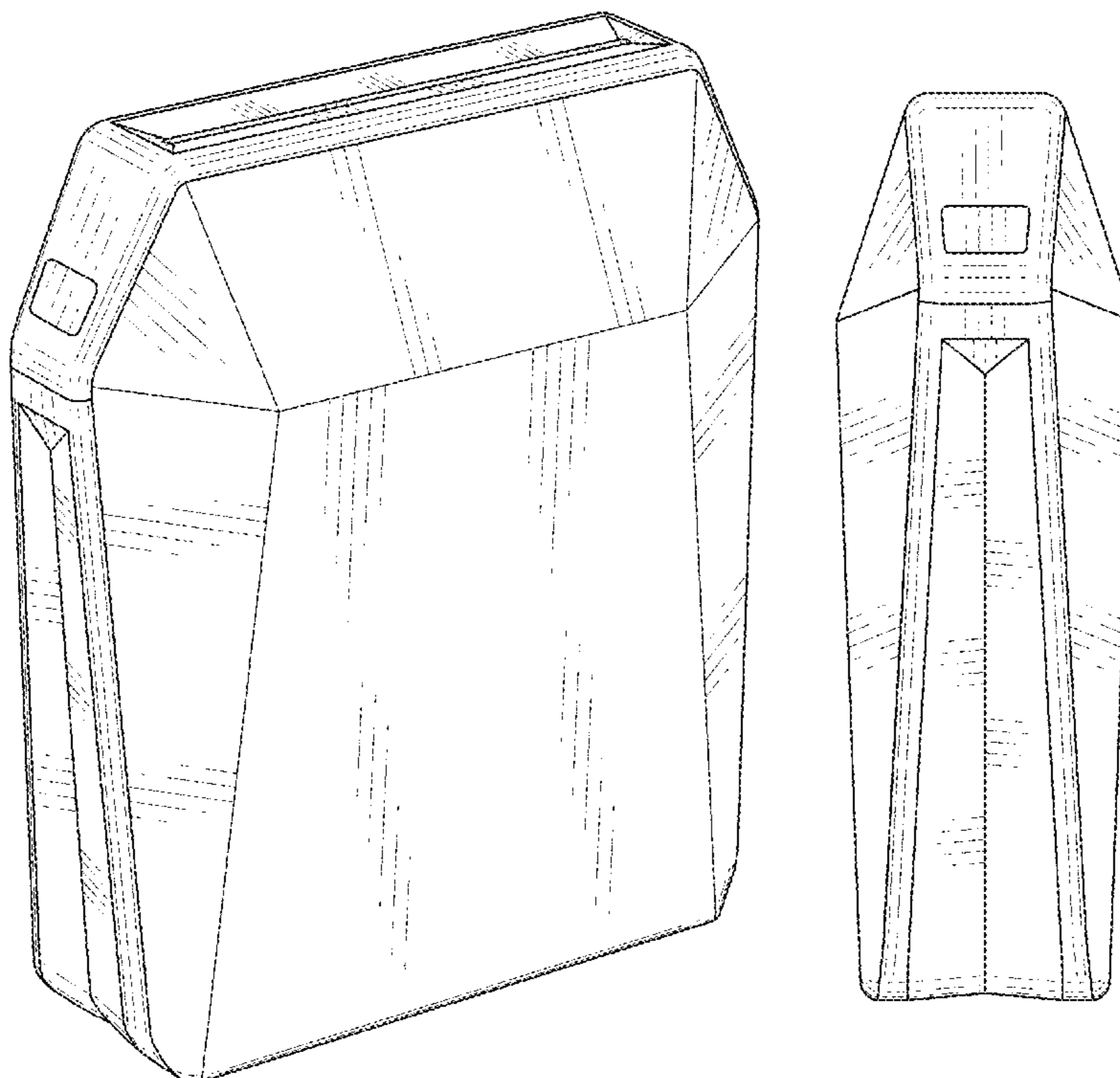


FIG. 1

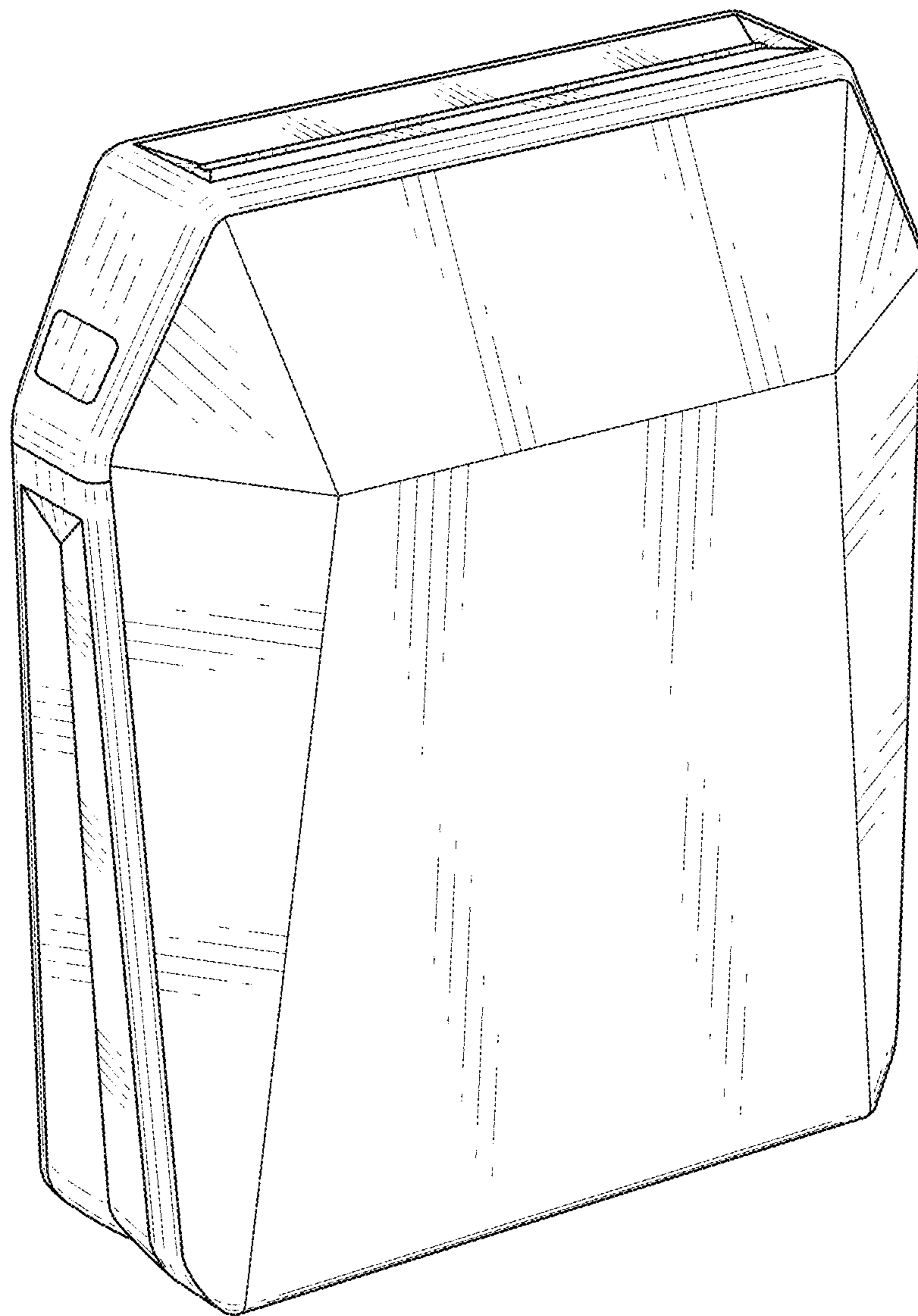


FIG. 2

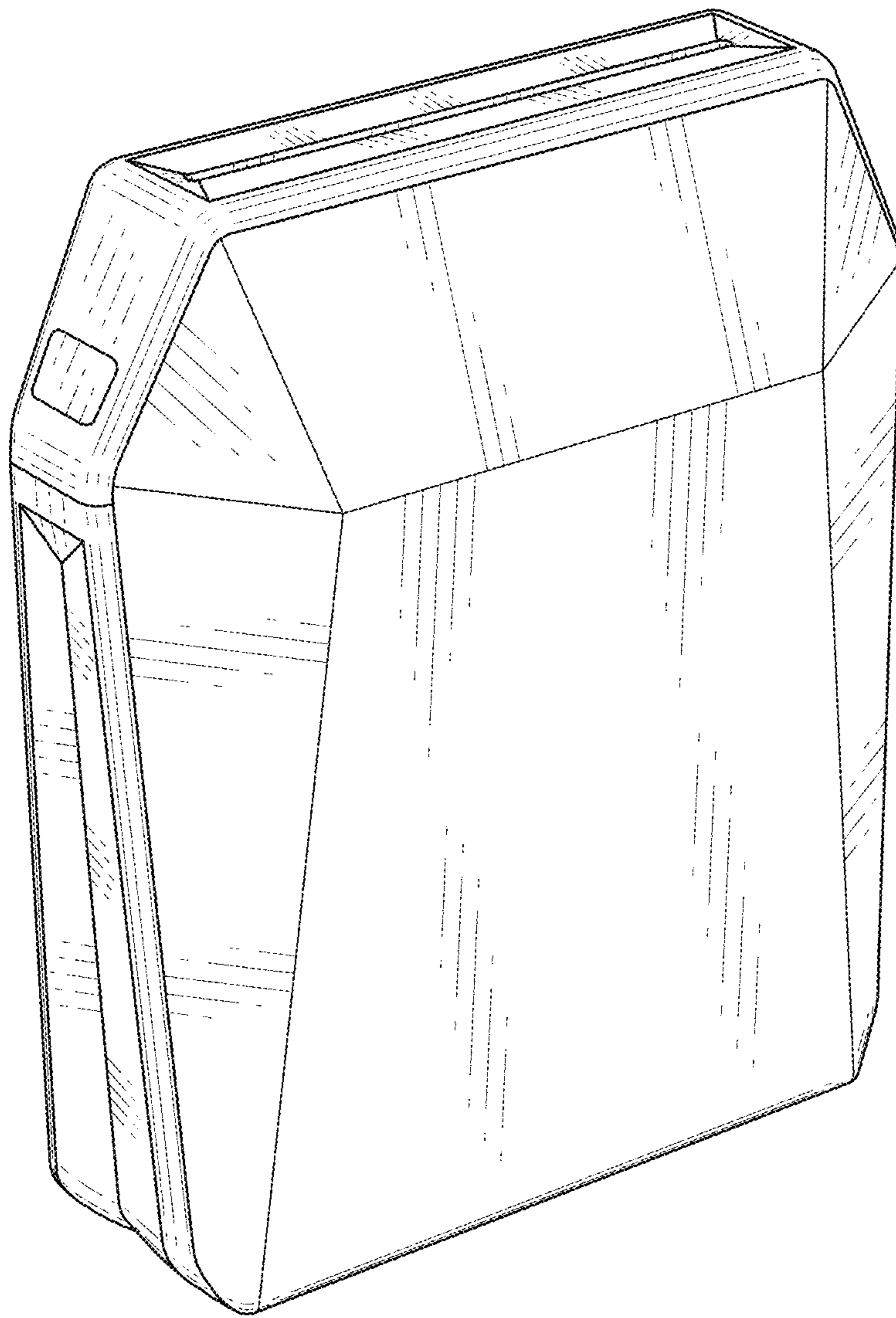


FIG.3

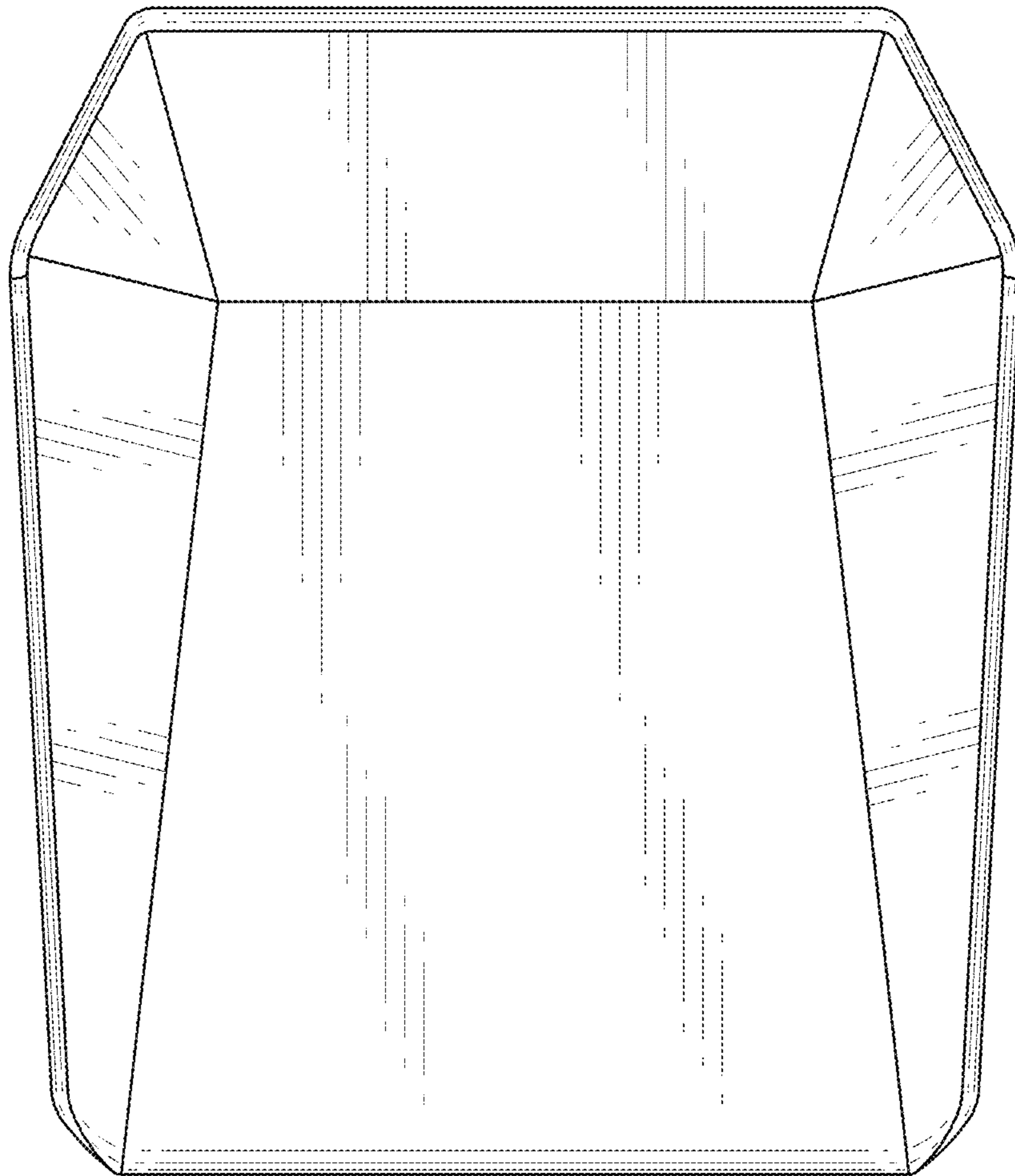


FIG.4

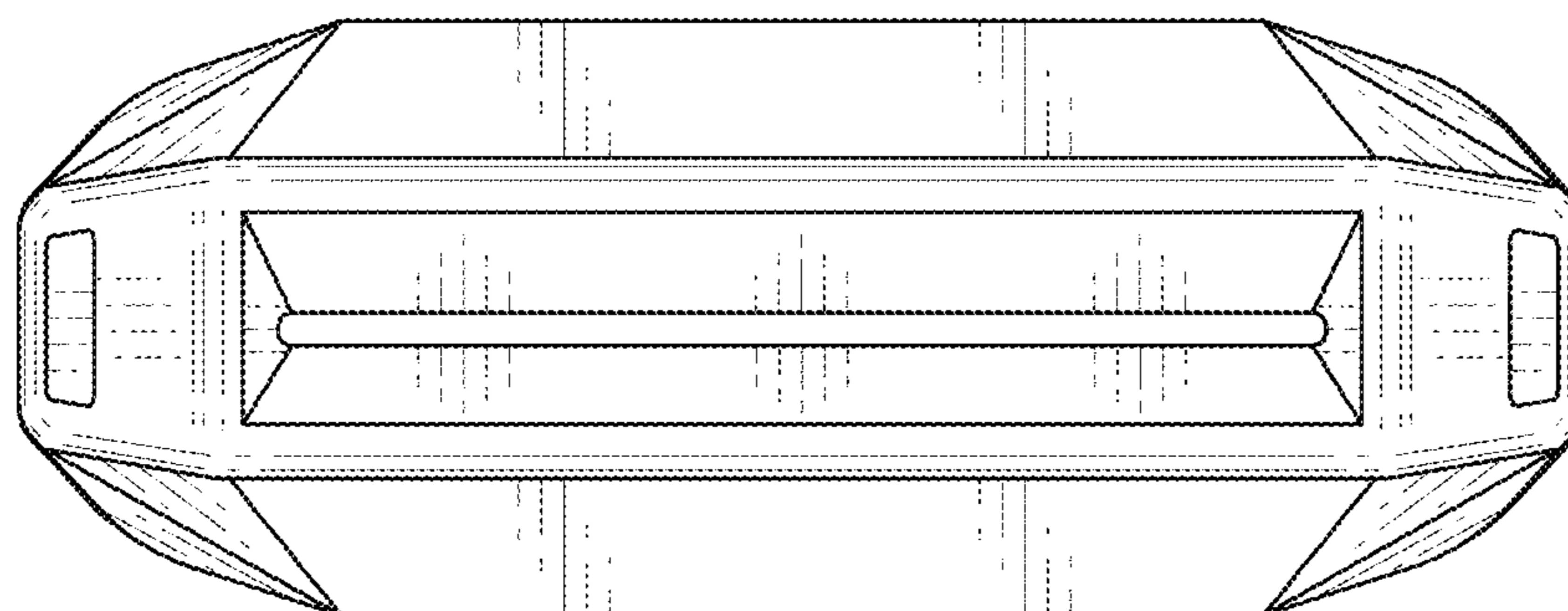


FIG.5

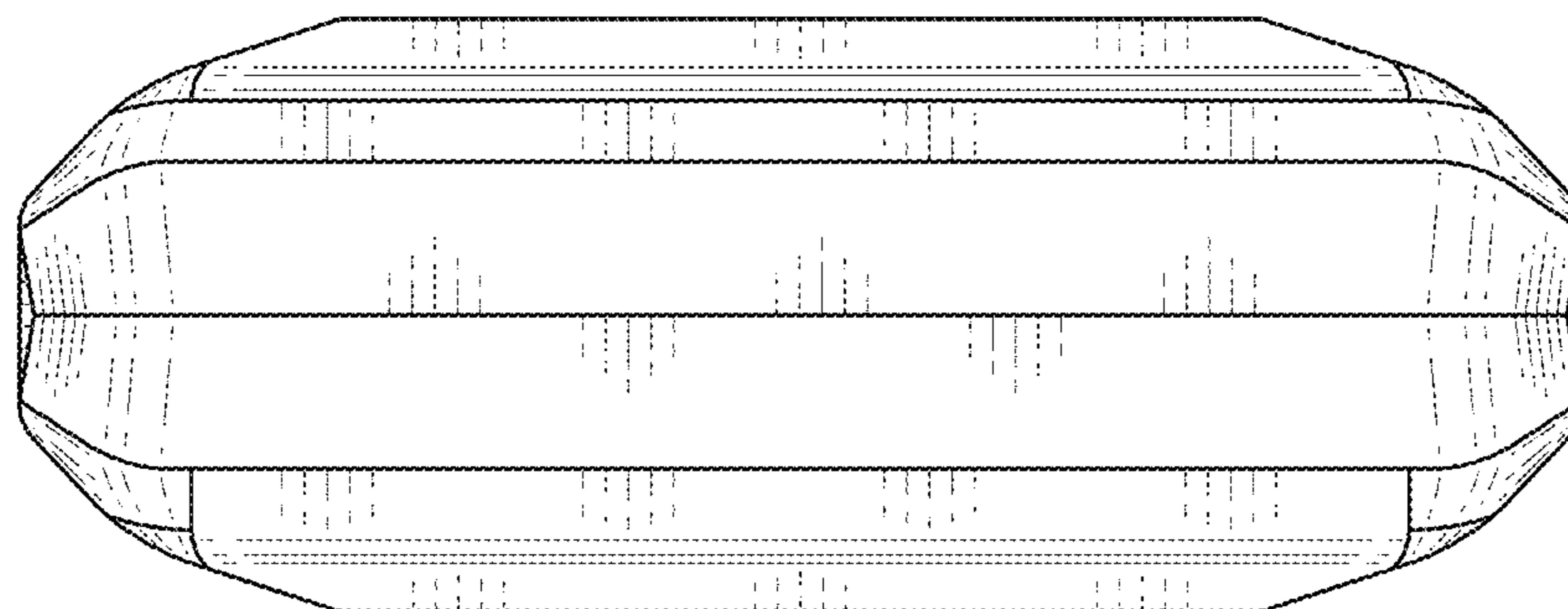


FIG.6

