



US00D826317S

(12) **United States Design Patent** (10) **Patent No.:** **US D826,317 S**  
**Villalobos et al.** (45) **Date of Patent:** **\*\* Aug. 21, 2018**

(54) **PRINTER**

(71) Applicant: **Hewlett-Packard Development Company, L.P.**, Houston, TX (US)  
(72) Inventors: **Ernesto Villalobos**, San Diego, CA (US); **Zhi Dan Zou**, Shanghai (CN); **Stuart D. Spencer**, Vancouver, WA (US); **Dan Arquilevich**, Vancouver, WA (US)  
(73) Assignee: **Hewlett-Packard Development Company, L.P.**, Houston, TX (US)

(\*\*) Term: **15 Years**

(21) Appl. No.: **29/561,404**

(22) Filed: **Apr. 15, 2016**

(51) **LOC (11) Cl.** ..... **18-02**

(52) **U.S. Cl.**  
USPC ..... **D18/50**

(58) **Field of Classification Search**  
USPC .... D14/420-425, 462-470, 480.5, 483, 484;  
D18/12, 14, 18, 19, 36-39, 43, 50, 54,  
D18/54.1, 55, 56, 99  
CPC . B41J 31/16; B41J 32/02; B41J 19/202; B41J  
29/02; B41J 29/08; B41J 29/377; B41J  
3/4075; B41J 11/58; B41J 15/042; B41J  
15/12; B41J 17/00; B41J 2/1752  
See application file for complete search history.

(56) **References Cited**

**U.S. PATENT DOCUMENTS**

D489,754 S \* 5/2004 Akahane ..... D18/55  
D685,412 S \* 7/2013 Jihoon ..... D18/50  
D715,853 S \* 10/2014 Kim ..... D18/50  
D718,383 S \* 11/2014 Lo ..... D18/55  
D751,056 S \* 3/2016 Huang ..... D14/242  
D782,570 S \* 3/2017 Francke ..... D18/56  
D783,088 S \* 4/2017 Francke ..... D18/56

(Continued)

**OTHER PUBLICATIONS**

<http://indianexpress.com/article/technology/gadgets/hp-deskjet-ink-advantage-3700-worlds-smallest-all-in-one-printer-price-specifications-features-3050757/> Posted Sep. 26, 2016 (Year: 2016).\*

(Continued)

*Primary Examiner* — Susan Bennett Hattan  
*Assistant Examiner* — Leanne D Was-Englehart  
(74) *Attorney, Agent, or Firm* — Morgan Lewis & Bockius LLP

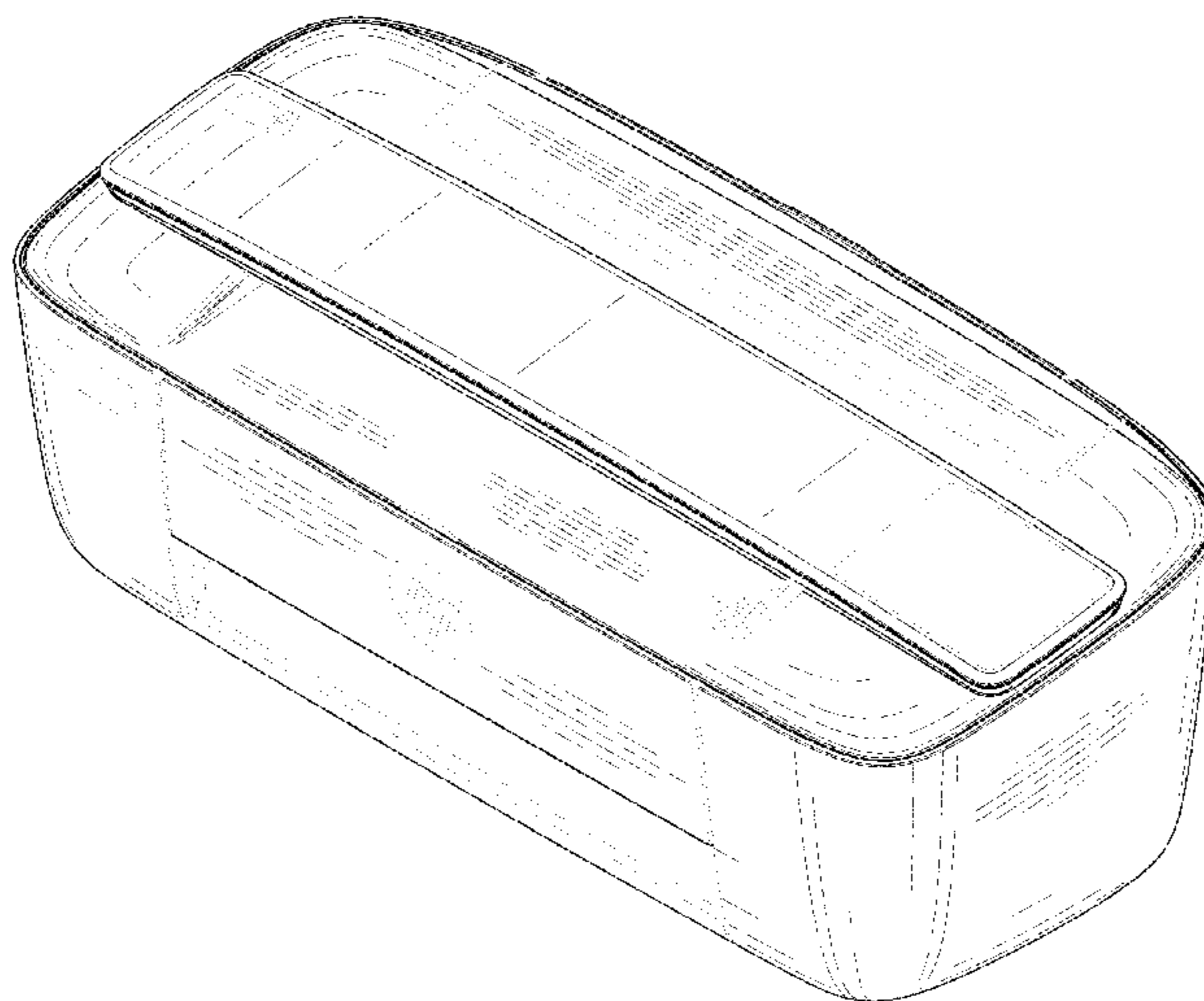
(57) **CLAIM**

The ornamental design for a printer, as shown and described.

**DESCRIPTION**

FIG. 1 is a front, left, top, perspective view of a printer showing our new design;  
FIG. 2 is a front, right, top, perspective view of the printer shown in FIG. 1;  
FIG. 3 is a rear, right, top, perspective view of the printer shown in FIG. 1;  
FIG. 4 is a rear, left, top, perspective view of the printer shown in FIG. 1;  
FIG. 5 is a front elevational view of the printer shown in FIG. 1;  
FIG. 6 is a rear devotional view of the printer shown in FIG. 1;  
FIG. 7 is a left-side elevational view of the printer shown in FIG. 1;  
FIG. 8 is a right-side elevational view of the printer or shown in FIG. 1;  
FIG. 9 is a top plan view of the printer shown in FIG. 1; and,  
FIG. 10 is a bottom plan view of the printer shown in FIG. 1.  
The broken lines shown in the drawings represent portions of the printer that form no part of the claimed design.

**1 Claim, 10 Drawing Sheets**



(56)

**References Cited**

U.S. PATENT DOCUMENTS

D786,963 S \* 5/2017 Mycroft ..... D18/50  
2013/0187997 A1 \* 7/2013 Xiao ..... B41J 2/17546  
347/86  
2015/0022609 A1 \* 1/2015 Hanabusa ..... B41J 29/02  
347/108

OTHER PUBLICATIONS

<https://betanews.com/2016/05/31/hp-deskjet-3755/> Uploaded May  
2016 (Year: 2016).\*

\* cited by examiner

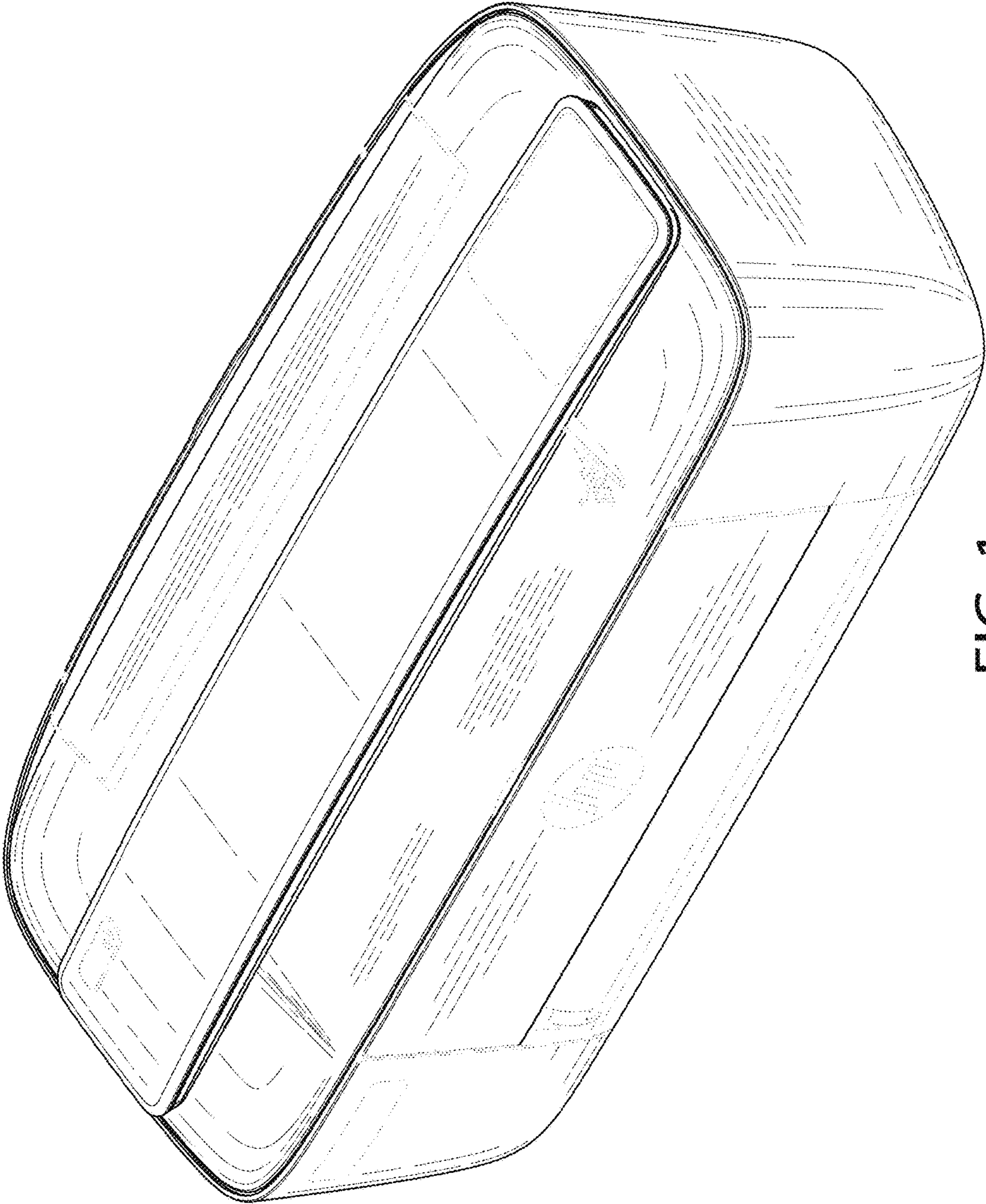


FIG. 1

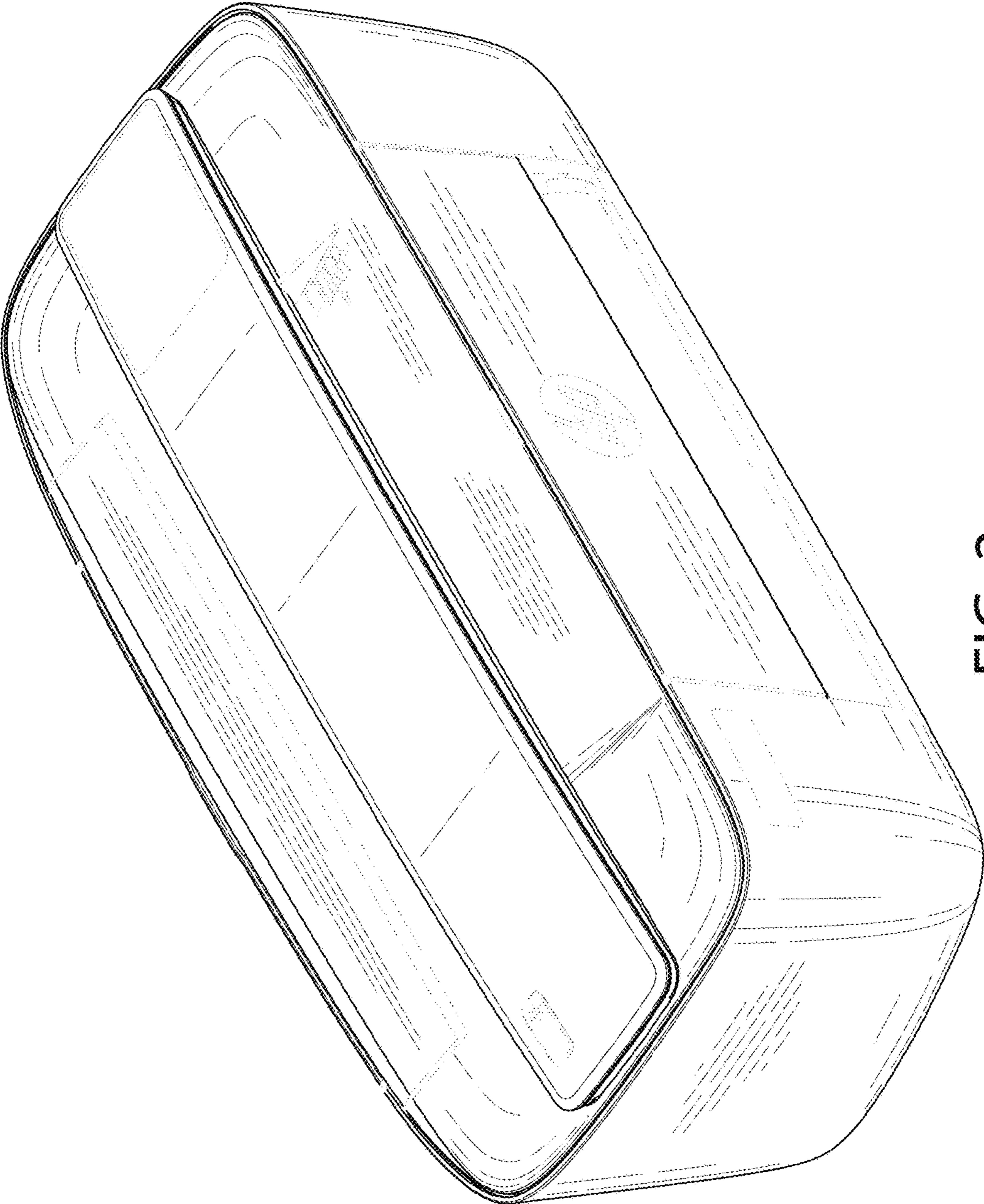


FIG. 2

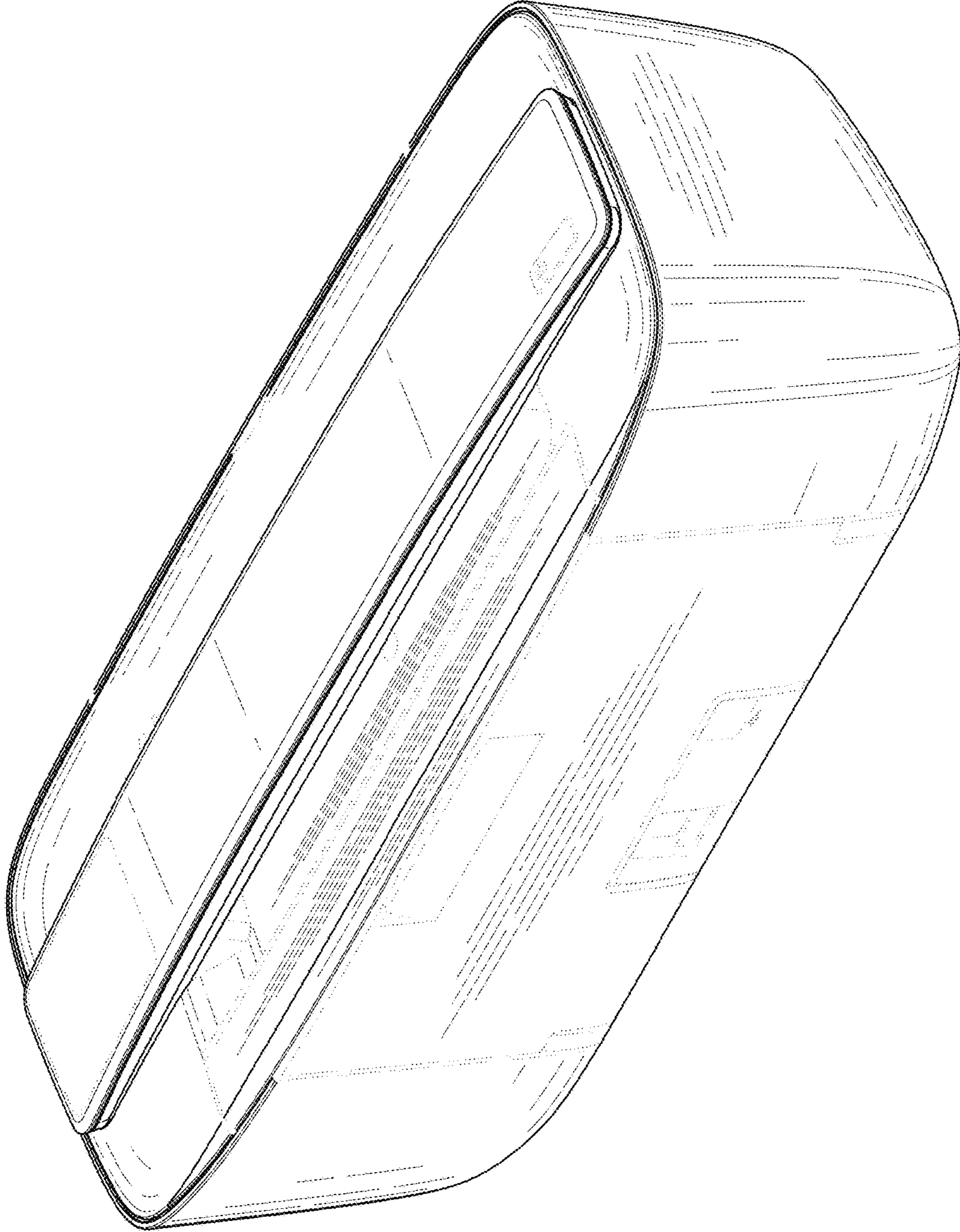


FIG. 3

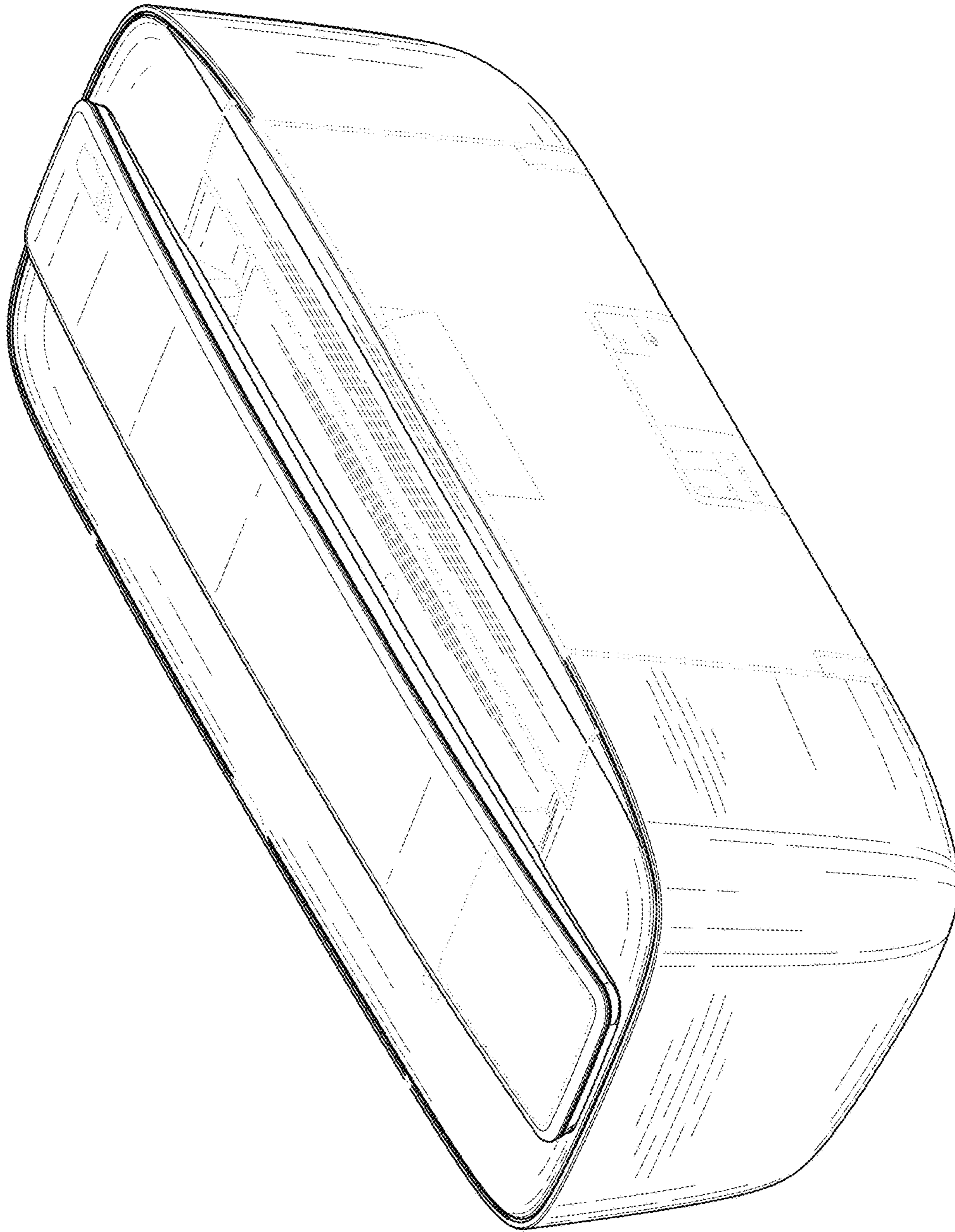


FIG. 4

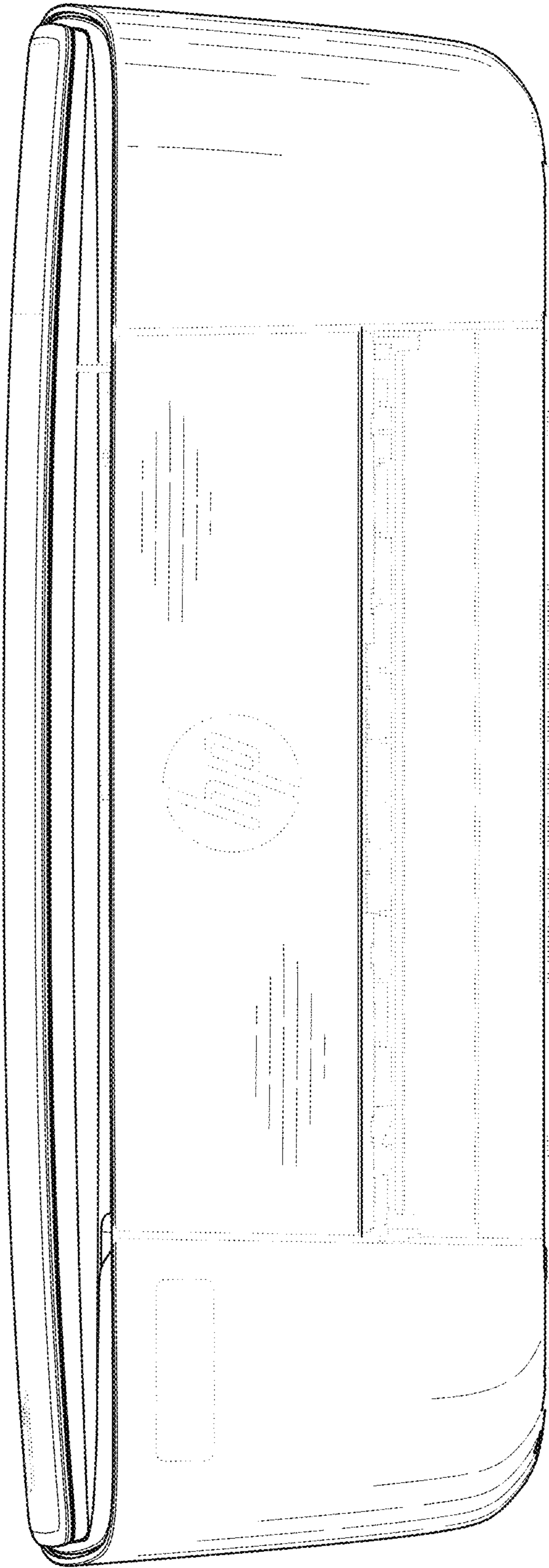


FIG. 5

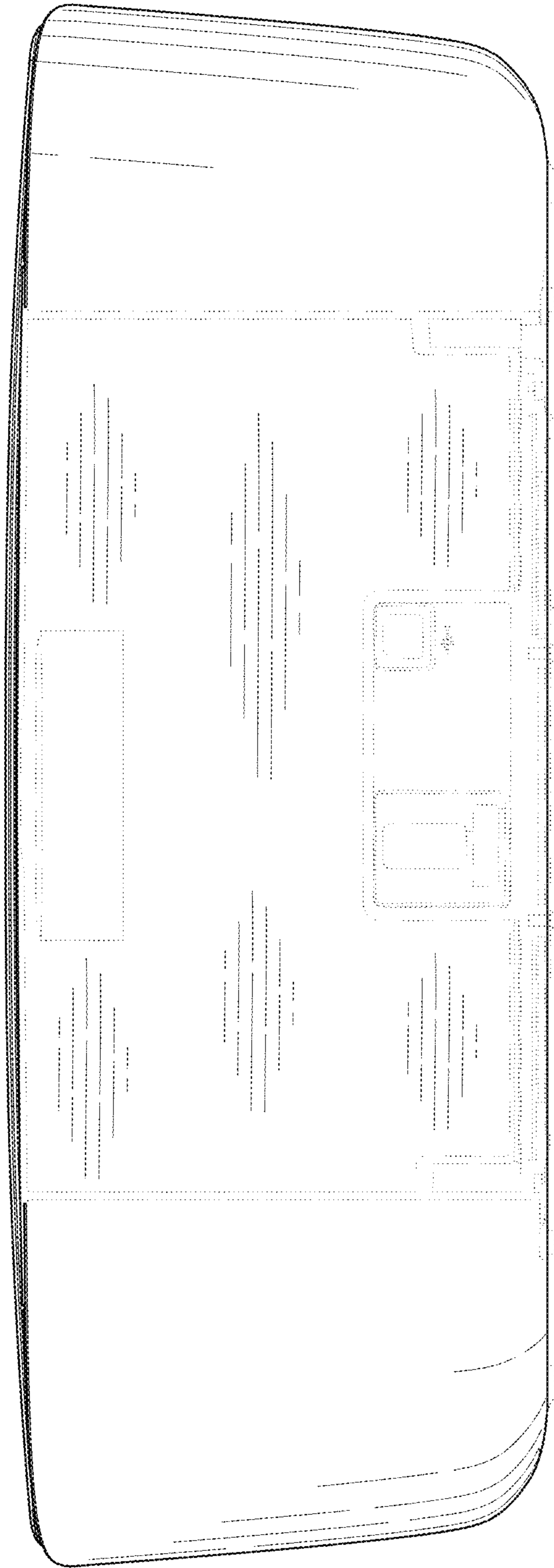


FIG. 6



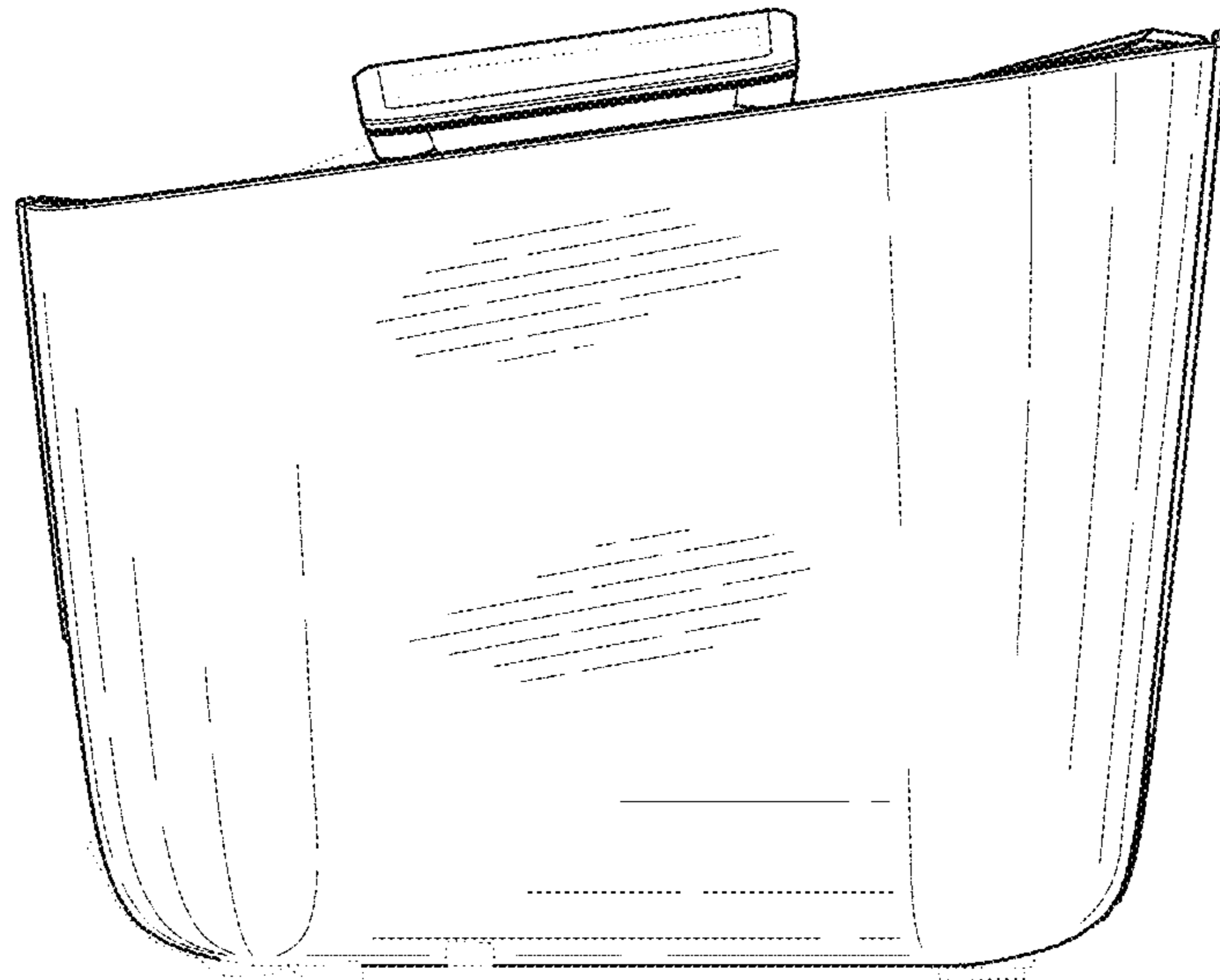


FIG. 7

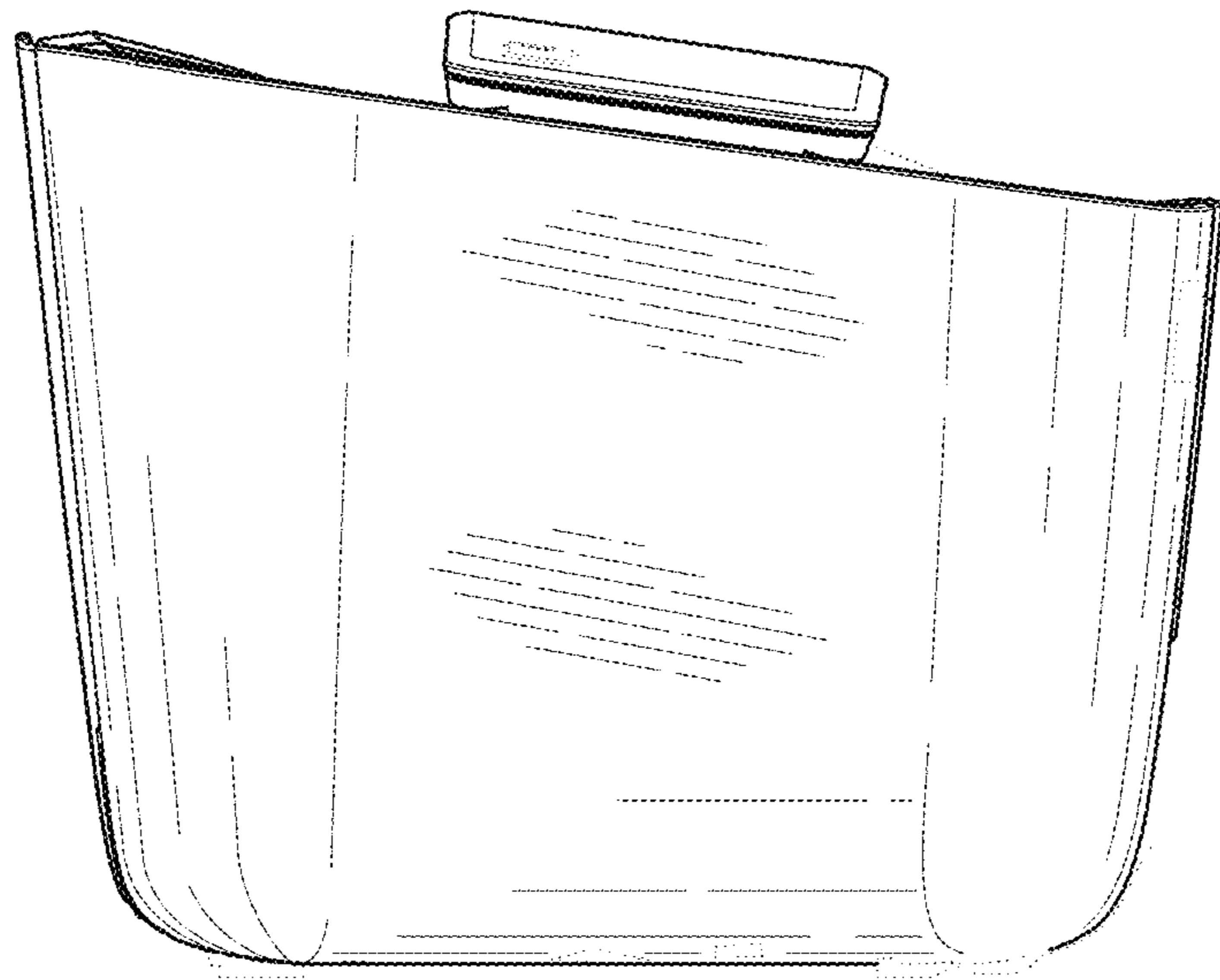


FIG. 8

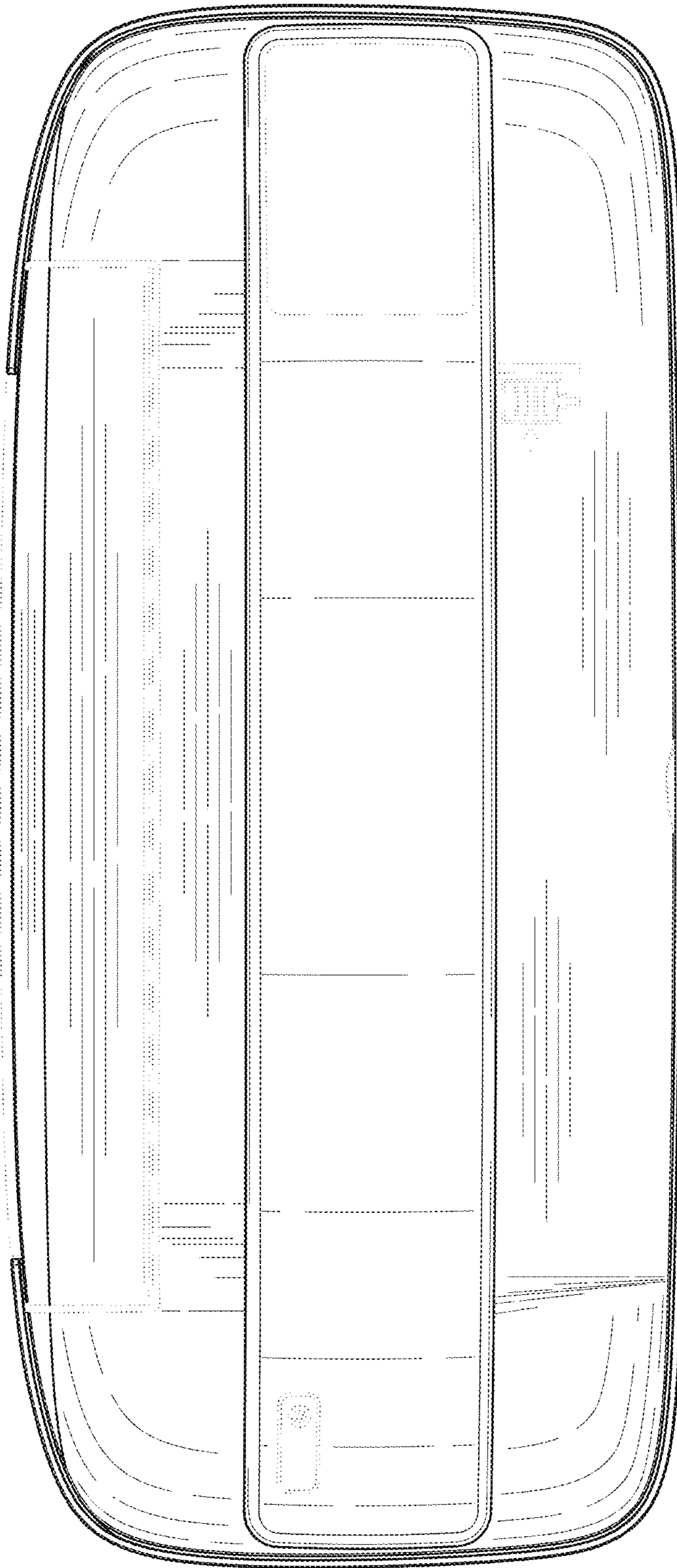


FIG. 9

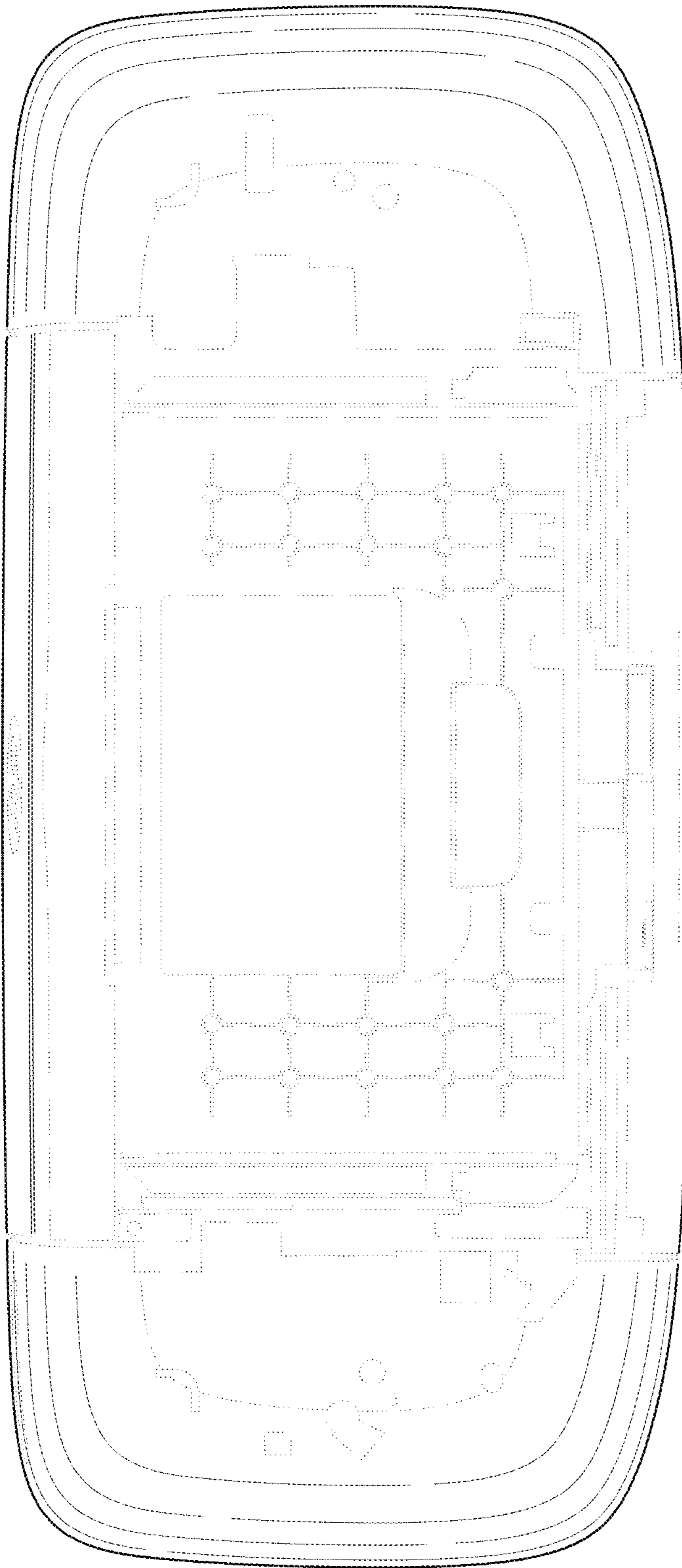


FIG. 10

UNITED STATES PATENT AND TRADEMARK OFFICE  
**CERTIFICATE OF CORRECTION**

PATENT NO. : D826,317 S  
APPLICATION NO. : 29/561404  
DATED : August 21, 2018  
INVENTOR(S) : Ernesto Villalobos et al.

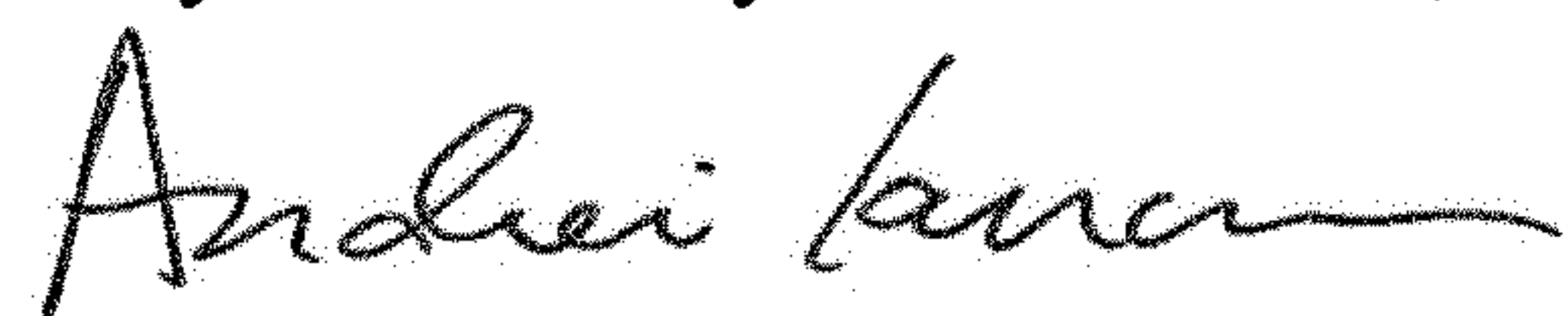
Page 1 of 1

It is certified that error appears in the above-identified patent and that said Letters Patent is hereby corrected as shown below:

On the Title Page

Item (57), description, Line 11, delete "devotional" and insert -- elevational --, therefor.

Signed and Sealed this  
Twenty-fourth Day of December, 2019



Andrei Iancu  
*Director of the United States Patent and Trademark Office*