



US00D826316S

(12) **United States Design Patent**  
**Tatsumi**

(10) **Patent No.:** **US D826,316 S**

(45) **Date of Patent:** **\*\* Aug. 21, 2018**

(54) **WIND INSTRUMENT**

(71) Applicant: **YAMAHA CORPORATION**,  
Hamamatsu-shi, Shizuoka (JP)

(72) Inventor: **Keizo Tatsumi**, Hamamatsu (JP)

(73) Assignee: **YAMAHA CORPORATION**,  
Hamamatsu-shi, Shizuoka (JP)

(\*\*) Term: **15 Years**

(21) Appl. No.: **29/581,460**

(22) Filed: **Oct. 19, 2016**

(51) **LOC (11) Cl.** ..... **17-02**

(52) **U.S. Cl.**  
USPC ..... **D17/10**

(58) **Field of Classification Search**  
USPC .... D17/10, 13, 99; D21/405, 406, 409, 411;  
D23/259, 262, 263, 266  
CPC ..... G10D 7/00; G10D 7/023; G10D 7/026;  
G10D 7/066; G10D 7/063; G10D 9/00;  
G10D 9/02; G10D 9/023; G10D 9/04;  
G10D 9/043; G10D 9/046  
See application file for complete search history.

(56) **References Cited**

**U.S. PATENT DOCUMENTS**

488,656 A \* 12/1892 Lassig ..... G10D 7/066  
84/382  
920,471 A \* 5/1909 Jenner ..... G10D 7/026  
84/384  
2,821,102 A \* 1/1958 Leblanc ..... G10D 7/00  
84/382  
3,011,382 A \* 12/1961 Kim ..... G10D 7/023  
84/313  
3,224,315 A \* 12/1965 Guinness ..... G10D 7/023  
84/380 C  
3,958,484 A \* 5/1976 Nelson ..... G10D 9/043  
84/380 R  
D251,926 S \* 5/1979 Satten ..... D17/11  
D262,035 S \* 11/1981 Wittman ..... D17/10

(Continued)

**FOREIGN PATENT DOCUMENTS**

AT 505707 A1 \* 3/2009 ..... G10D 7/063  
EP 0509963 A2 \* 10/1992 ..... G10D 7/066

(Continued)

**OTHER PUBLICATIONS**

Sax on the Web, Attach Sax Mouthpiece to a Boehm Flute, posted on Aug. 29, 2010, [online], [site visited on Dec. 18, 2017]. Available from Internet, URL: <https://forum.saxontheweb.net/showthread.php?143414-Attach-Sax-Mouthpiece-to-a-Boehm-Flute> (Year: 2010).\*

(Continued)

*Primary Examiner* — Sheryl Lane

*Assistant Examiner* — Samantha N Wood

(74) *Attorney, Agent, or Firm* — Sughrue Mion, PLLC

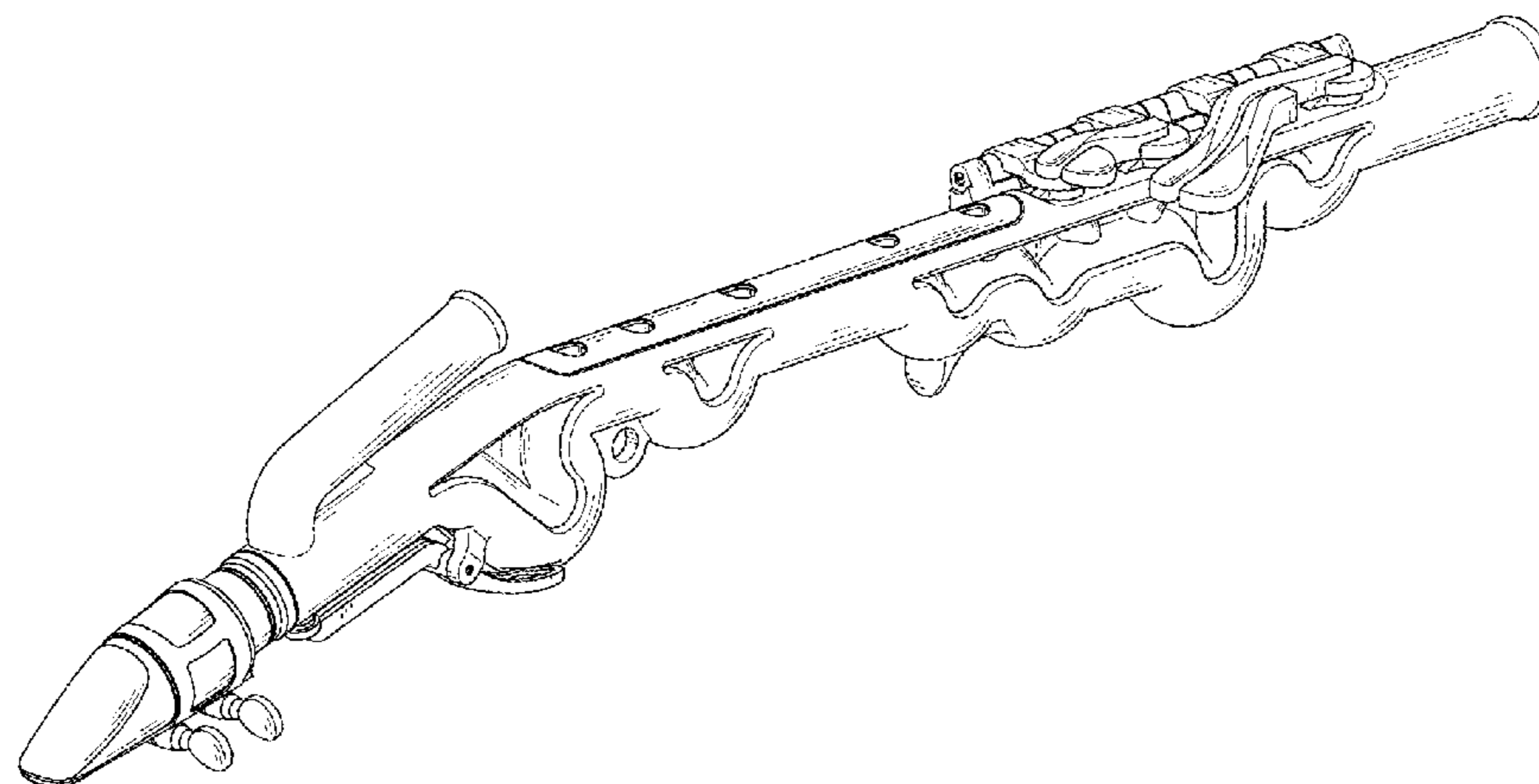
(57) **CLAIM**

The ornamental design for a wind instrument, as shown and described.

**DESCRIPTION**

FIG. 1 is a perspective view of the front, top and right side of a wind instrument showing my new design;  
FIG. 2 is a perspective view of the rear, bottom and left side thereof;  
FIG. 3 is a right side elevation view thereof;  
FIG. 4 is a left side elevation view thereof;  
FIG. 5 is a front elevation view thereof;  
FIG. 6 is a rear elevation view thereof;  
FIG. 7 is a top plan view thereof; and,  
FIG. 8 is a bottom plan view thereof.  
The broken lines in the drawings are intended to show portions of the wind instrument that are not being claimed, and thus form no part of the claimed invention.

**1 Claim, 8 Drawing Sheets**



(56)

References Cited

U.S. PATENT DOCUMENTS

5,300,729 A \* 4/1994 Tokunaga ..... G10H 1/02  
84/619  
D396,525 S \* 7/1998 Larimer ..... D23/263  
5,929,361 A \* 7/1999 Tanaka ..... G09B 15/003  
84/380 R  
D419,217 S \* 1/2000 Lee ..... D23/237  
D435,637 S \* 12/2000 Wales ..... D23/263  
D686,653 S \* 7/2013 Tomasi ..... D17/10  
D780,254 S \* 2/2017 Clissold ..... D17/10  
2003/0029589 A1 \* 2/2003 Alzheimer ..... B27J 1/00  
162/91  
2006/0272473 A1 \* 12/2006 Kuo ..... G10D 7/005  
84/383 R  
2007/0044634 A1 \* 3/2007 Bear ..... G10D 7/026  
84/380 R  
2010/0269668 A1 \* 10/2010 Gholson, Jr. .... G10D 9/02  
84/383 R  
2012/0048094 A1 \* 3/2012 Gisler ..... G10D 7/026  
84/384  
2014/0305279 A1 \* 10/2014 Russell ..... G10D 9/02  
84/380 R  
2015/0040739 A1 \* 2/2015 Ingalls ..... G10D 7/026  
84/384  
2016/0171958 A1 \* 6/2016 Rovner ..... G10D 7/08  
84/383 A

FOREIGN PATENT DOCUMENTS

FR 624703 A \* 7/1927 ..... G10D 7/026  
FR 661444 A \* 7/1929 ..... G10D 7/063  
FR 2609568 A1 \* 7/1988 ..... G10D 9/043  
FR 2678416 A1 \* 12/1992 ..... G10D 9/043

OTHER PUBLICATIONS

Youtube, Jupiter D-Loop Kinderflote JP-509S, posted on Feb. 21, 2013, [online], [site visited on Dec. 18, 2017]. Available from Internet, URL: <https://www.youtube.com/watch?v=jJ3JT8KC2L4> (Year: 2013).\*

Youtube, Swan Neck.wmv, posted on Mar. 30, 2012, [online], [site visited on Dec. 18, 2017]. Available from Internet, URL: [https://www.youtube.com/watch?time\\_continue=1&v=oGYyUKmYZhQ](https://www.youtube.com/watch?time_continue=1&v=oGYyUKmYZhQ) (Year: 2012).\*

\* cited by examiner

Fig.1

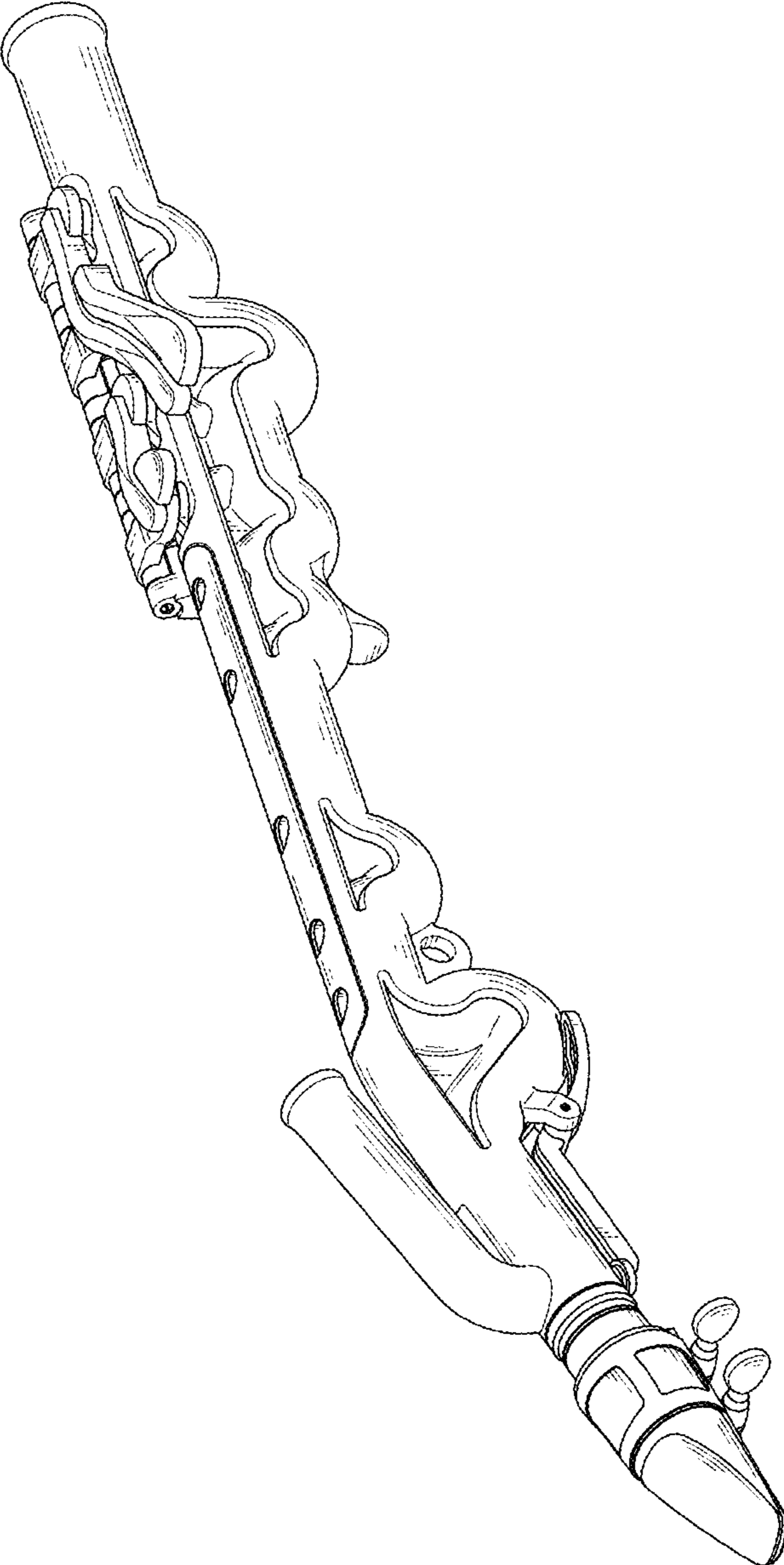


Fig.2

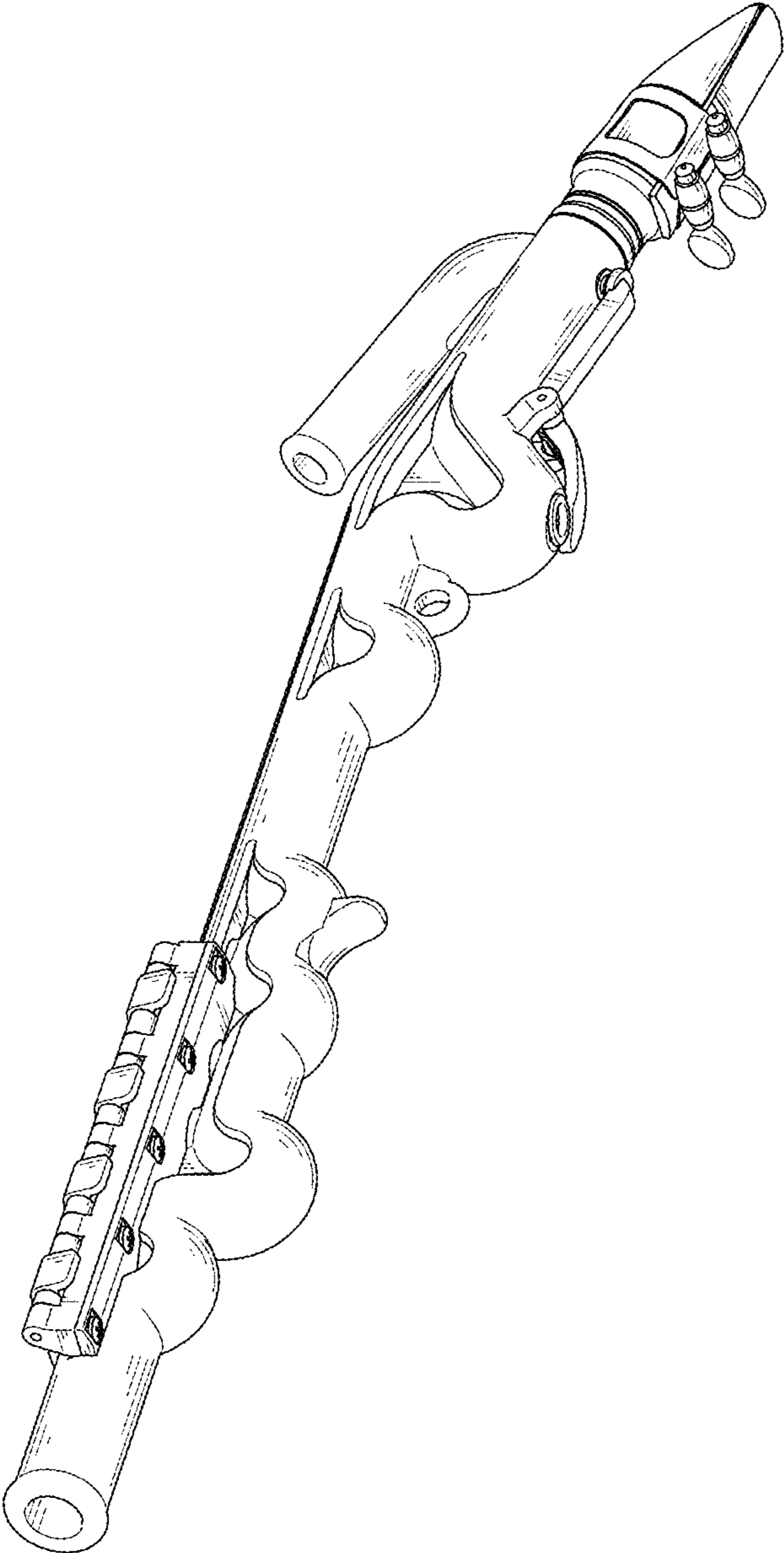


Fig.3

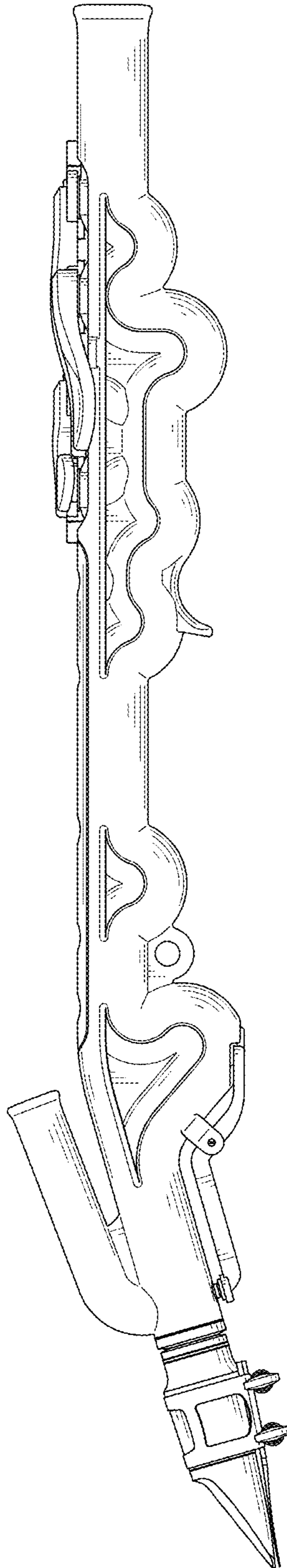


Fig.4

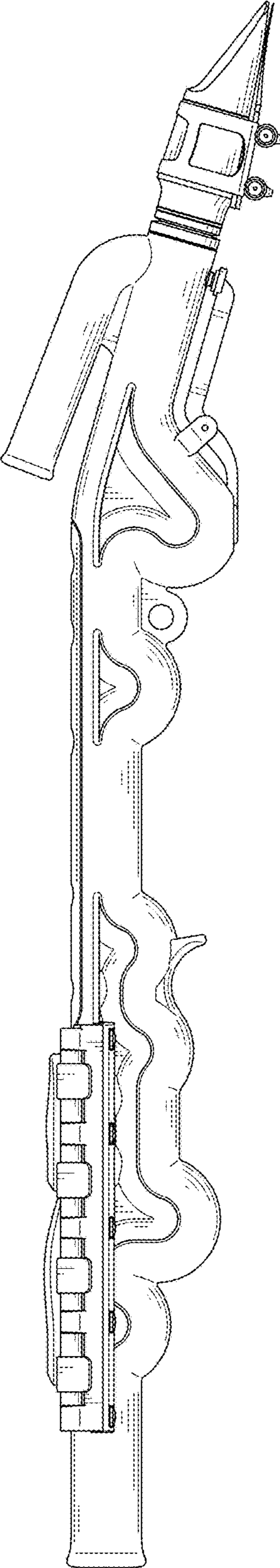


Fig. 5

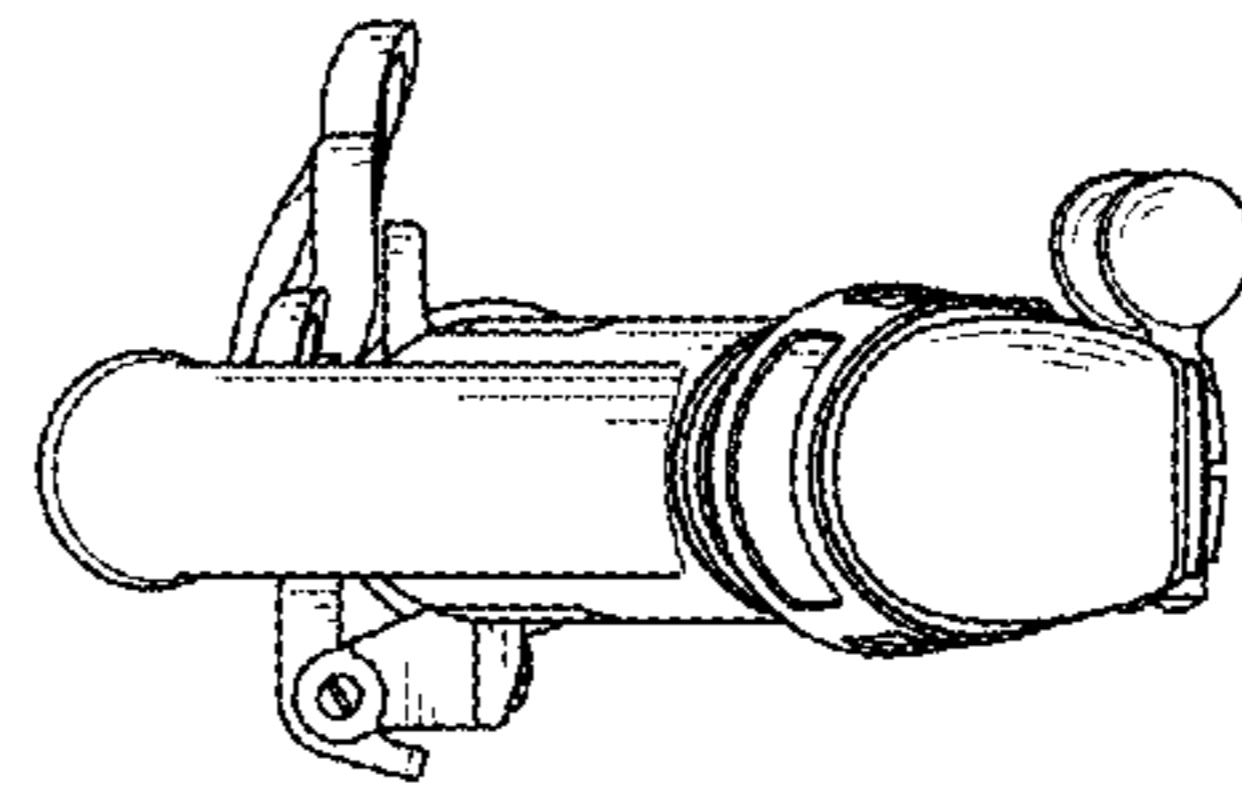


Fig.6

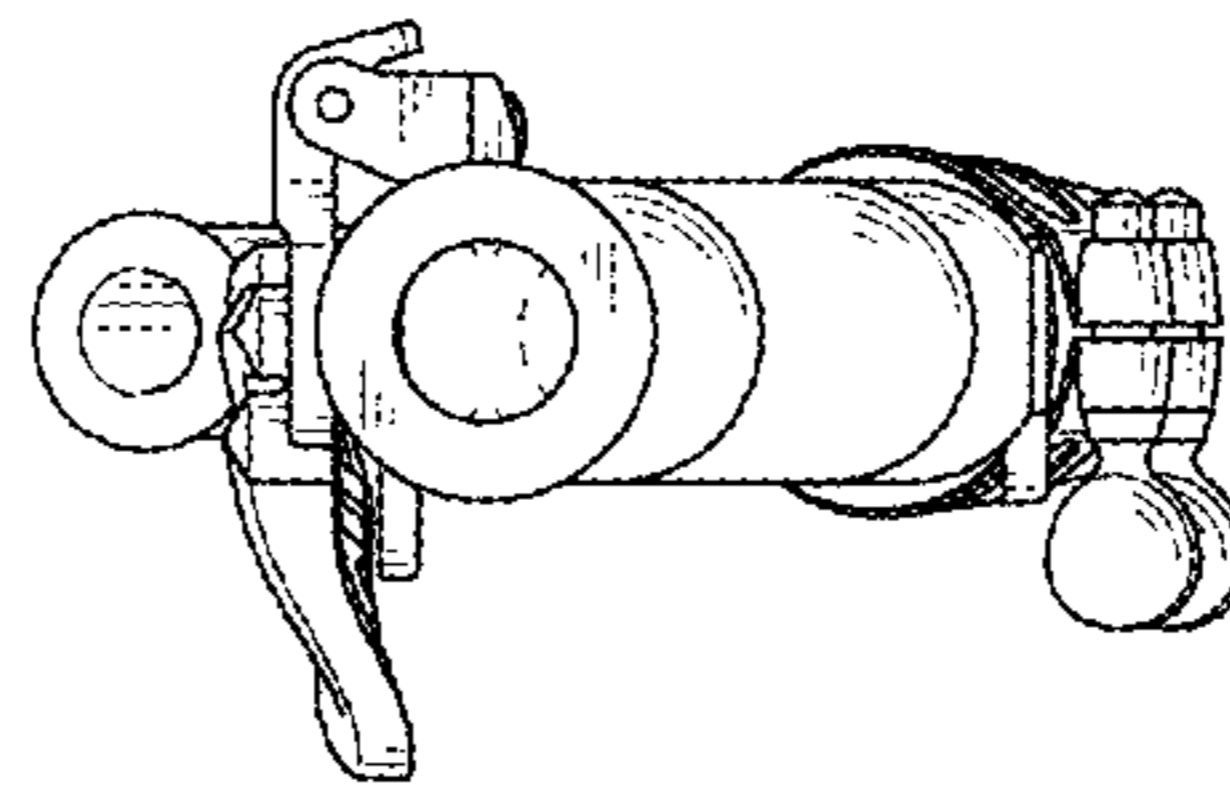




Fig.7

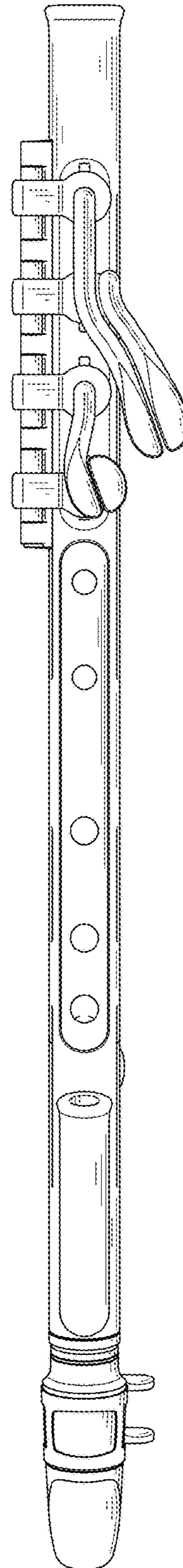


Fig.8

