



US00D826315S

(12) **United States Design Patent** (10) **Patent No.:** **US D826,315 S**
Takei (45) **Date of Patent:** **** Aug. 21, 2018**

(54) **ELECTRONIC KEYBOARD**

(71) Applicant: **YAMAHA CORPORATION**,
Hamamatsu-shi (JP)

(72) Inventor: **Kunihiro Takei**, Hamamatsu (JP)

(73) Assignee: **YAMAHA CORPORATION**,
Hamamatsu-shi, Shizuoka (JP)

(**) Term: **15 Years**

(21) Appl. No.: **29/618,969**

(22) Filed: **Sep. 26, 2017**

(51) **LOC (11) Cl.** **17-01**

(52) **U.S. Cl.**
USPC **D17/9**

(58) **Field of Classification Search**
USPC D17/1, 2, 3, 4, 5, 6, 7, 8, 9, 99;
D14/175, 188, 196-198, 217, 257, 258,
D14/162, 167-169, 203, 218, 356,
D14/399-401, 412-416, 454-457, 496;
D21/405, 409, 586
CPC G09B 15/00; G09B 15/08; G10C 3/00;
G10C 3/02; G10C 3/04; G10C 3/08;
G10C 3/10; G10C 3/12; G10C 3/16;
G10C 3/26; G10C 1/00; G10C 1/02;
G10C 1/04; G10C 5/00; G10C 5/005;
G10H 1/00; G10H 1/006; G10H 1/0008;
G10H 1/32; G10H 1/38; G10H 1/0091;
G10H 1/34; G10H 1/348; G10H 1/02;
G10H 1/46; G10H 1/0025; G10H 1/0058;
G10H 1/28; G10H 1/342; G10H 1/36;
G10H 1/383; G10H 1/0575; G10H 1/18;
G10H 1/06; G10H 1/386; G10H 1/0083;
G10H 1/0033; G10H 7/008; G10H 7/02;
G10H 2220/106; G10H 2220/096; G10H
2220/101; G10H 2220/201; G10H
2220/241; G10H 2210/095; G10H
2210/066; G10H 3/146; G10H 2230/021;
G10H 2230/015; G10H 2240/211

See application file for complete search history.

(56) **References Cited**

U.S. PATENT DOCUMENTS

D416,934 S * 11/1999 Nagayama D17/1
RE37,914 E * 12/2002 Takei G10H 1/32
D17/1
D513,507 S * 1/2006 Tsuge D14/500
D550,638 S * 9/2007 Yuyama D14/217
D552,158 S * 10/2007 Tanaka D17/1
D553,667 S * 10/2007 Utsunomiya D17/1
D566,163 S * 4/2008 Sato D17/1

(Continued)

FOREIGN PATENT DOCUMENTS

CN 201330503164 * 10/2013

Primary Examiner — Sheryl Lane

Assistant Examiner — Samantha N Wood

(74) *Attorney, Agent, or Firm* — Sughrue Mion, PLLC

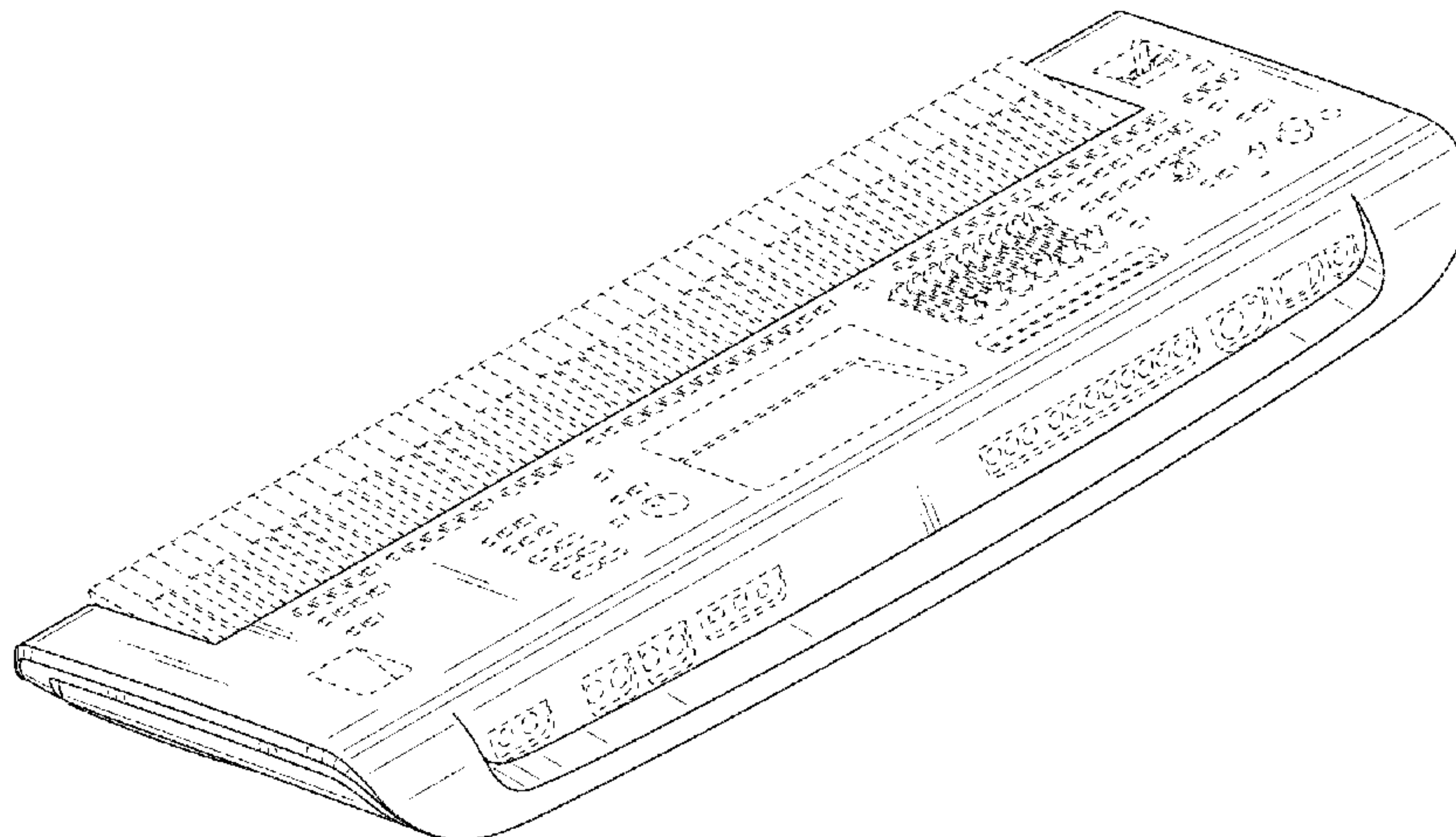
(57) **CLAIM**

The ornamental design for an electronic keyboard, as shown and described.

DESCRIPTION

FIG. 1 is a perspective view of the rear, top and right side of an electronic keyboard showing my new design;
FIG. 2 is a perspective view of the rear, bottom and left side thereof;
FIG. 3 is a front view thereof;
FIG. 4 is a rear view thereof;
FIG. 5 is a left side view thereof;
FIG. 6 is a right side view thereof;
FIG. 7 is a top view thereof; and,
FIG. 8 is a bottom view thereof.
The broken line showing of the electronic keyboard is included for the purpose of illustrating unclaimed portions of the electronic keyboard and forms no part of the claimed design.

1 Claim, 6 Drawing Sheets



(56)

References Cited

U.S. PATENT DOCUMENTS

D571,848 S * 6/2008 Sato D17/1
D572,300 S * 7/2008 Hashimoto D17/1
D582,408 S * 12/2008 Maiers D14/356
D668,710 S * 10/2012 Okamura D17/1
D715,267 S * 10/2014 Tschetter D14/217
D801,434 S * 10/2017 Schoolmeester D21/332

* cited by examiner

Fig. 1

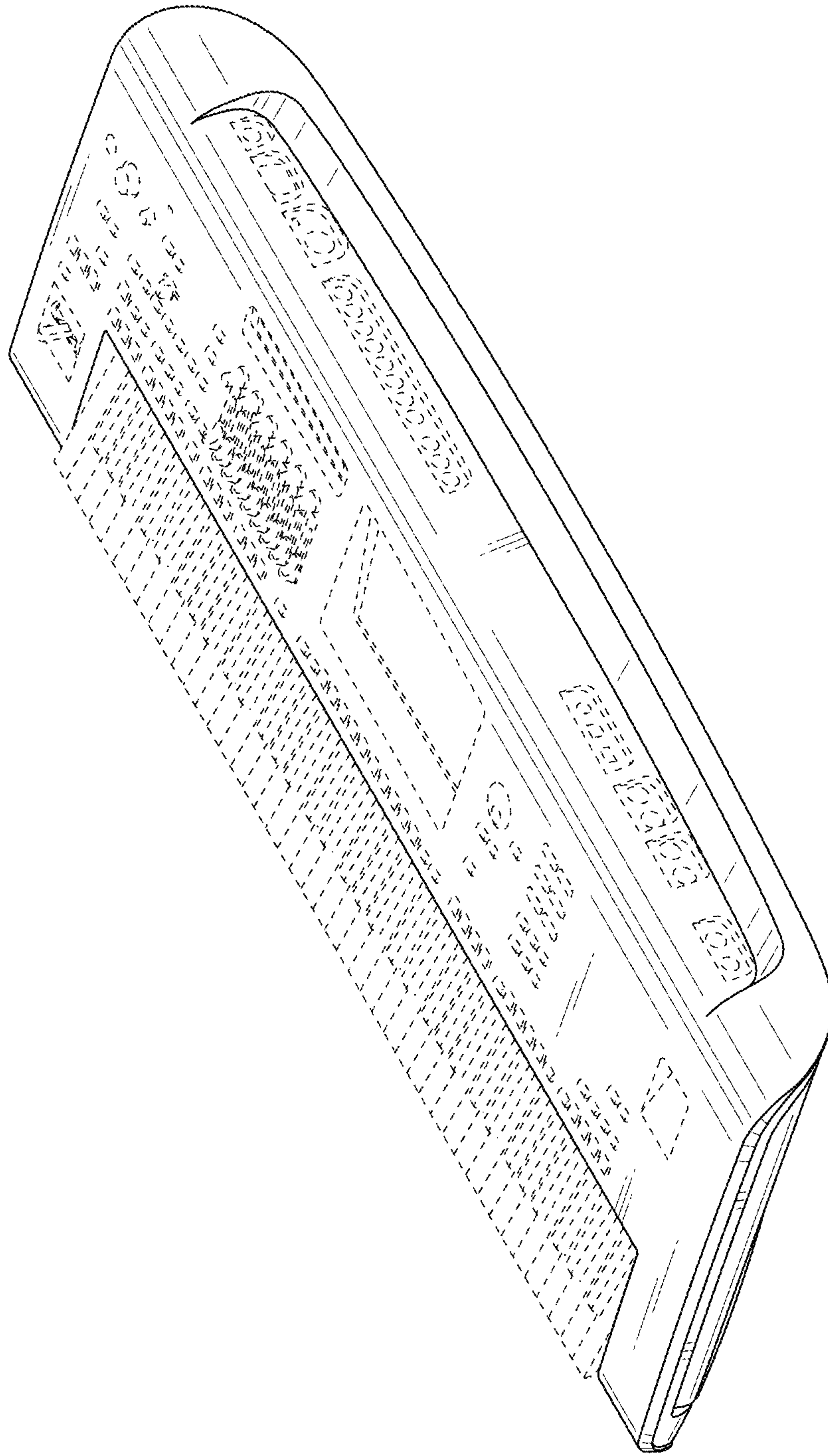


Fig. 2

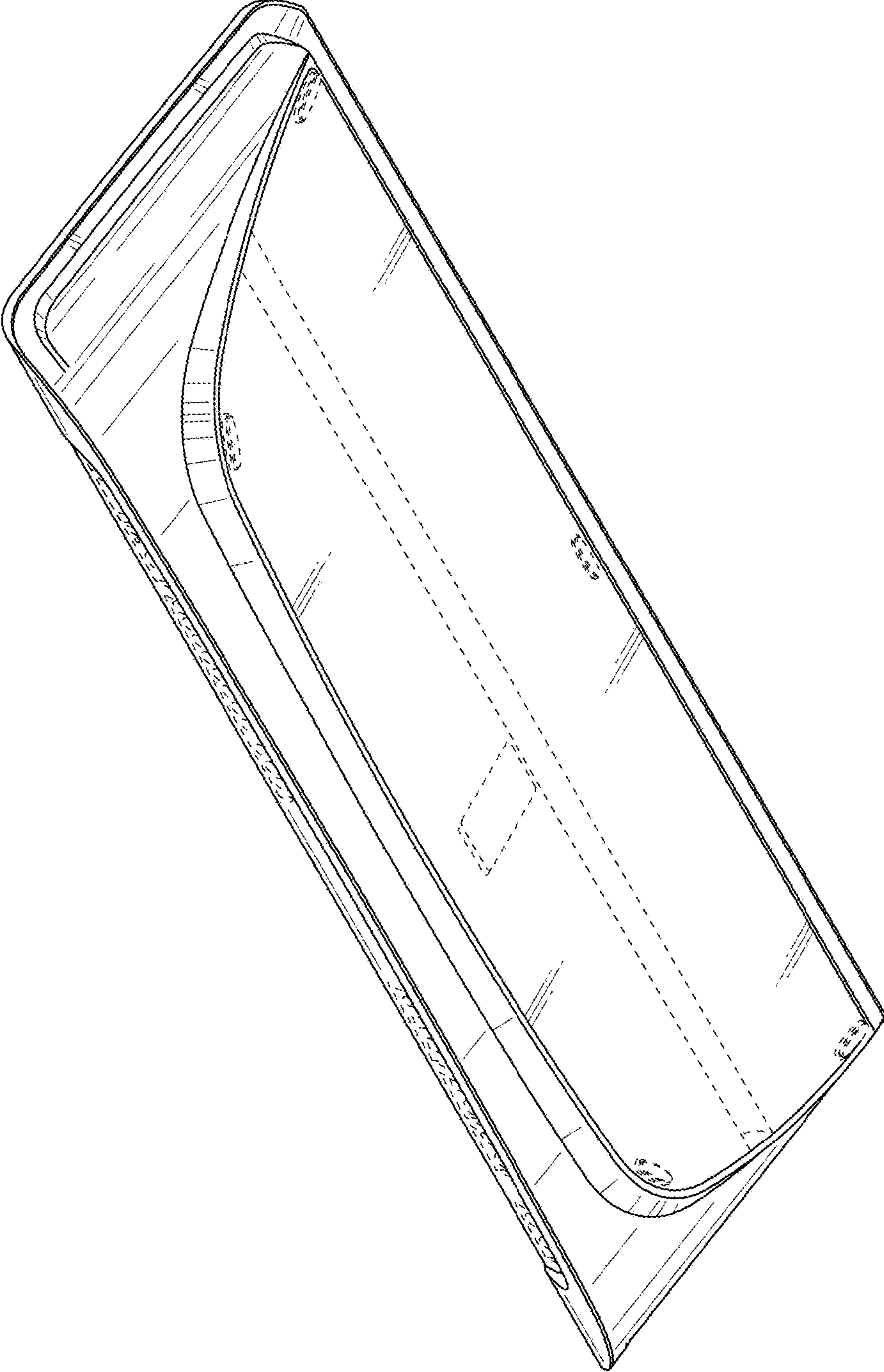


Fig. 3

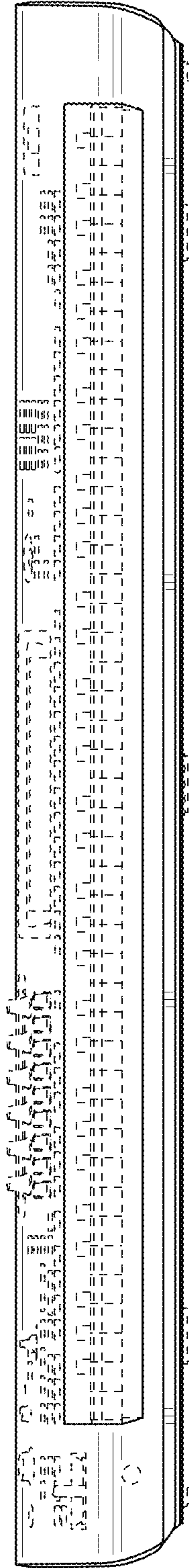


Fig. 4

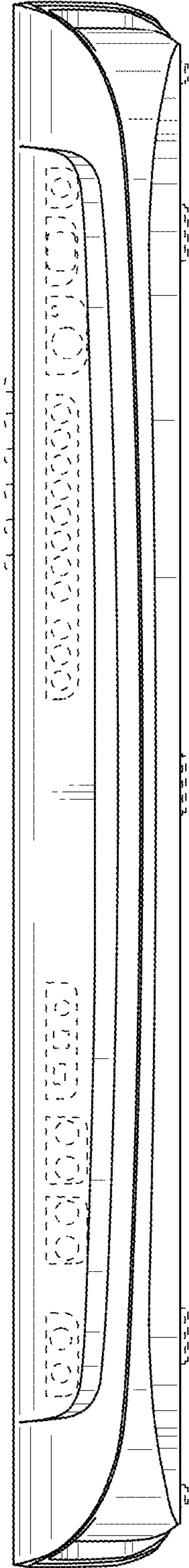


Fig. 5

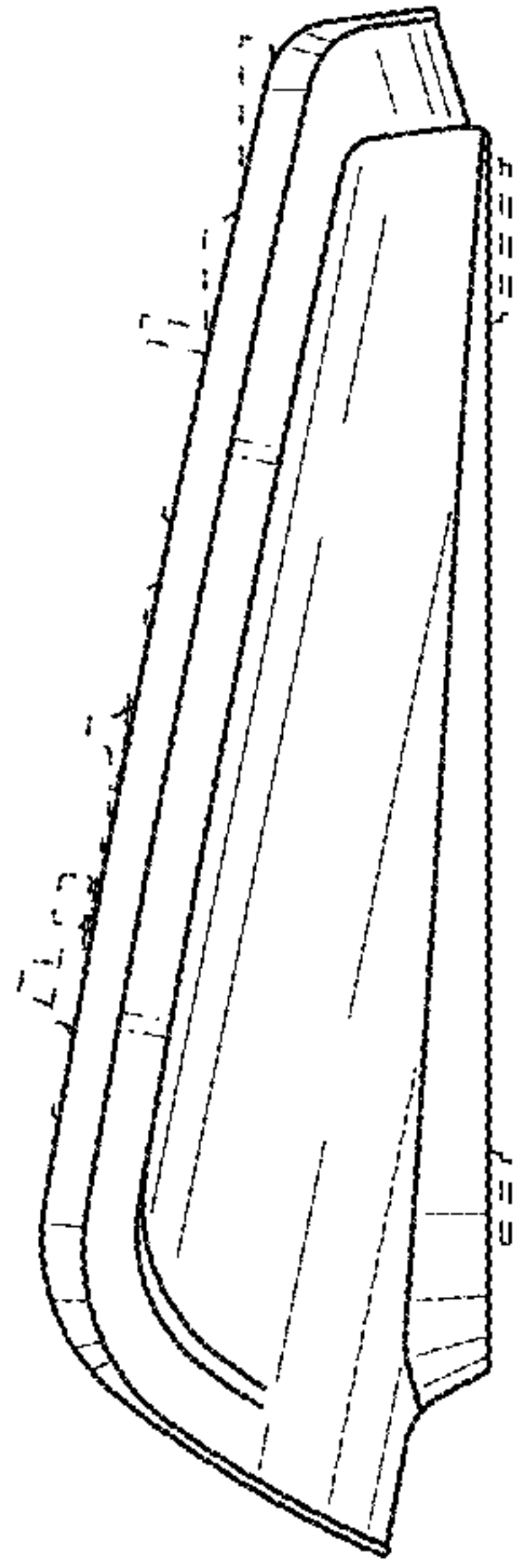


Fig. 6

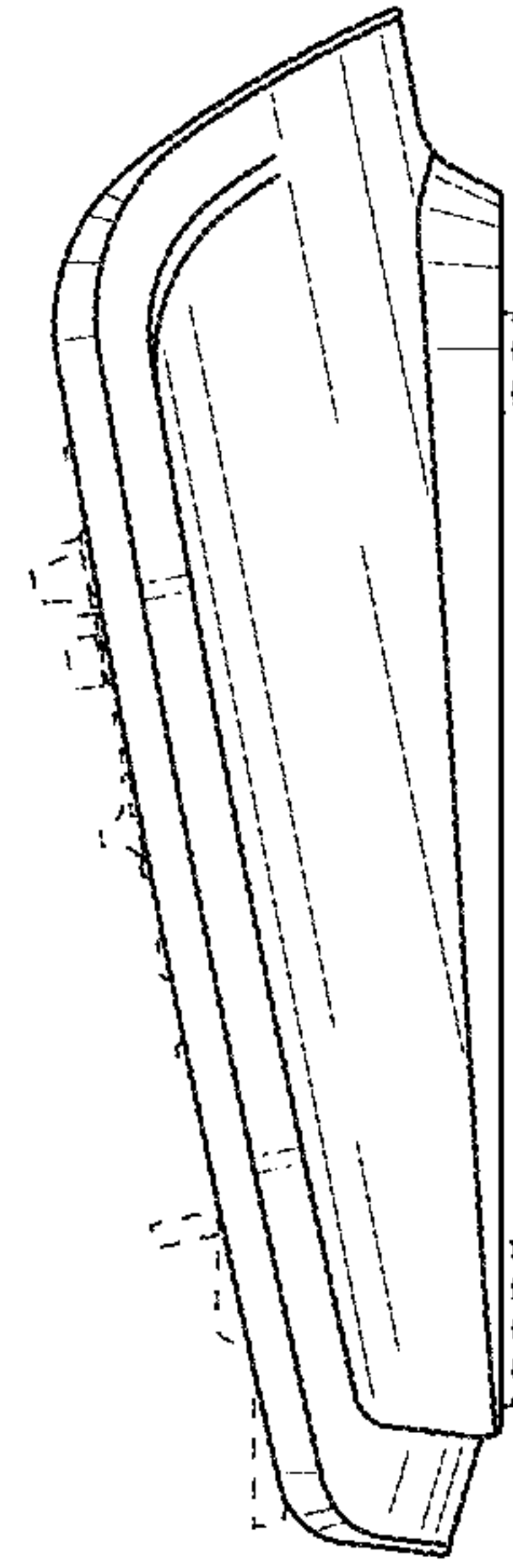


Fig. 7

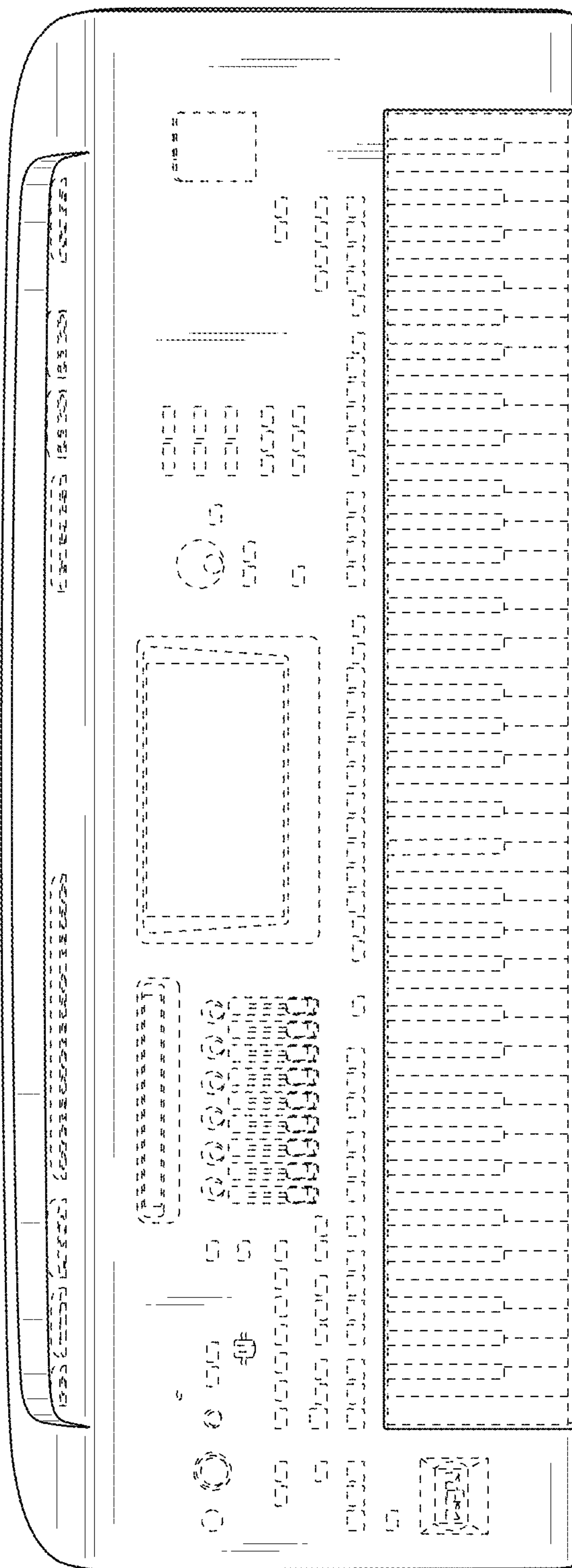


Fig. 8

