



US00D826310S

(12) **United States Design Patent** (10) **Patent No.:** **US D826,310 S**  
**Wang et al.** (45) **Date of Patent:** **\*\* Aug. 21, 2018**

(54) **MONOPOD HOLDER FOR MOBILE PHONES AND CAMERAS**

(71) Applicant: **WU HAN AIBIRD UAV CO., LTD,**  
Wuhan (CN)

(72) Inventors: **Xiaobo Wang,** Wuhan (CN); **Wen Zhou,** Wuhan (CN); **Jun Luo,** Hubei (CN); **Bo Zhang,** Hubei (CN)

(73) Assignee: **WU HAN AIBIRD UAV CO., LTD.,**  
Wuhan (CN)

(\*\*) Term: **15 Years**

(21) Appl. No.: **29/573,355**

(22) Filed: **Aug. 4, 2016**

(30) **Foreign Application Priority Data**

Mar. 9, 2016 (CN) ..... 2016 3 0066136

(51) **LOC (11) Cl.** ..... **16-05**

(52) **U.S. Cl.**  
USPC ..... **D16/243; D16/237**

(58) **Field of Classification Search**  
USPC ..... D8/354-355, 394-395; D14/167, 203.1, D14/203.3, 203.8, 206, 217, 218, D14/224-229, 251-253, 511; D16/206, D16/219, 214, 235, 237-245, 250  
CPC ..... F16M 11/04-11/12; G03B 17/56; G03B 17/561-17/568; G03B 15/03; G03B 17/02; G03B 17/03; G03B 17/04; G03B 17/14; G01P 3/00; G02B 7/00-7/002; H04N 5/2253-5/2254; H04N 5/225; H04N 5/232; H04R 2410/00  
See application file for complete search history.

(56) **References Cited**

**U.S. PATENT DOCUMENTS**

D300,037 S \* 2/1989 Jones ..... D16/244  
D302,561 S \* 8/1989 Goins ..... 396/419

D327,085 S \* 6/1992 Miyauchi ..... D16/245  
D329,449 S \* 9/1992 Brown ..... D16/242  
D358,832 S \* 5/1995 Lenney ..... D16/242  
5,797,054 A \* 8/1998 Paddock ..... F16M 13/04  
352/243  
D533,514 S \* 12/2006 Hidalgo ..... D13/168  
8,016,494 B2 \* 9/2011 Holway ..... G03B 17/00  
396/428

(Continued)

**OTHER PUBLICATIONS**

BH Photo Video | Professional Video | Tripods, Supports & Rigs | Stabilizers & Gimbals | Gimbal Stabilizers | Zhiyun-Tech Crane v2, posted on Jun. 30, 2017, © 2000-2018 B & H Foto & Electronics Corp. [online], [site visited Mar. 21, 2018]. Available from Internet, <URL: <https://goo.gl/9U9e9j>>.\*

(Continued)

*Primary Examiner* — Philip S Hyder  
*Assistant Examiner* — Cary M Robinson  
(74) *Attorney, Agent, or Firm* — Fish IP Law, LLP

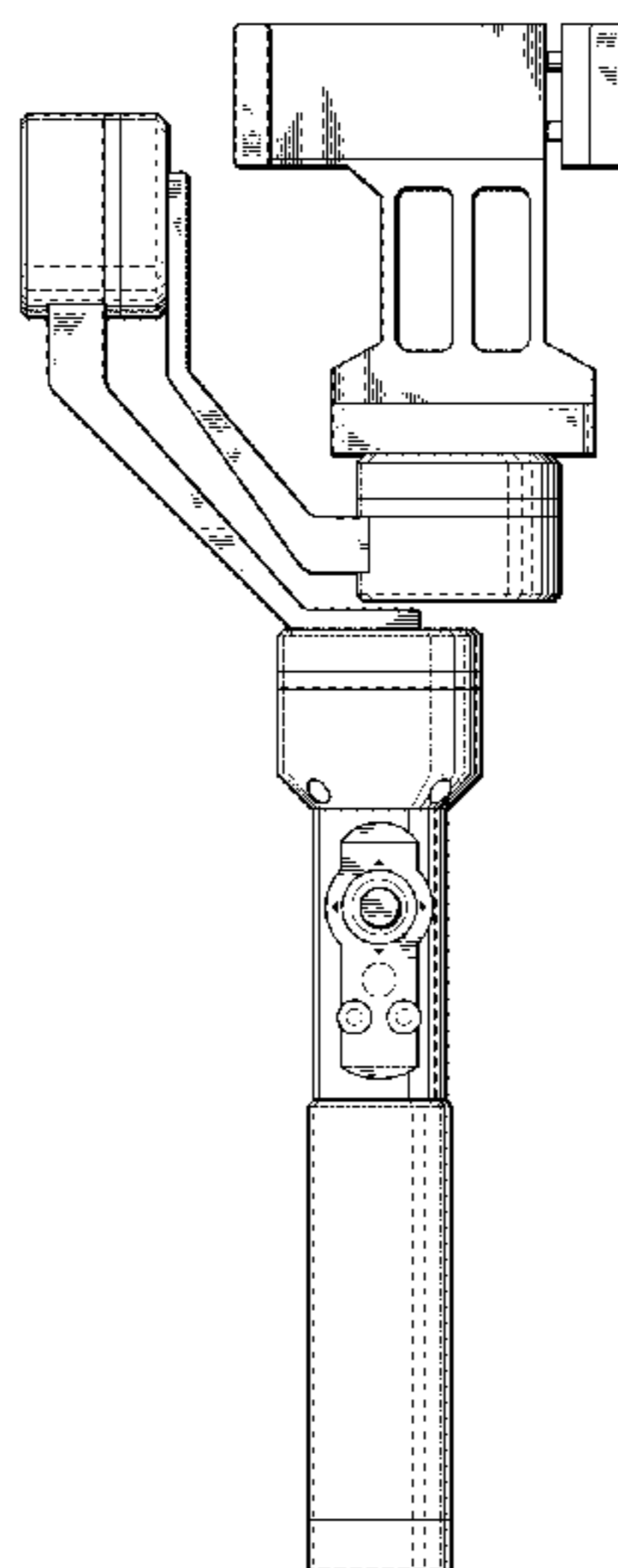
(57) **CLAIM**

The ornamental design of a monopod holder for mobile phones and cameras, as shown and described.

**DESCRIPTION**

FIG. 1 is a front elevation view of a monopod holder for mobile phones and cameras;  
FIG. 2 is a rear elevation view thereof;  
FIG. 3 is a left side elevation view thereof;  
FIG. 4 is a right side elevation view thereof;  
FIG. 5 is a top plan elevation view thereof; and,  
FIG. 6 is a bottom plan elevation view thereof.  
The broken lines illustrate various features of the monopod holder for mobile phones and cameras in which the design is embodied that form no part of the claimed design.

**1 Claim, 5 Drawing Sheets**



(56)

**References Cited**

U.S. PATENT DOCUMENTS

|              |      |         |          |       |                       |
|--------------|------|---------|----------|-------|-----------------------|
| D658,636     | S *  | 5/2012  | Maier    | ..... | D14/218               |
| D678,387     | S *  | 3/2013  | Stump    | ..... | D16/244               |
| D738,883     | S *  | 9/2015  | Pang     | ..... | D14/218               |
| D743,944     | S *  | 11/2015 | Karrman  | ..... | D14/218               |
| D779,580     | S *  | 2/2017  | Jia      | ..... | D16/237               |
| D794,606     | S *  | 8/2017  | Zheng    | ..... | D14/217               |
| D799,448     | S *  | 10/2017 | Zheng    | ..... | D14/217               |
| 9,798,221    | B2 * | 10/2017 | Niemeyer | ..... | F16M 11/18            |
| 9,904,149    | B2 * | 2/2018  | Casarez  | ..... | G03B 17/561           |
| 9,906,711    | B2 * | 2/2018  | Chu      | ..... | H04N 5/23219          |
| 2014/0049696 | A1 * | 2/2014  | Sirpal   | ..... | G06F 3/017<br>348/734 |
| 2017/0192341 | A1 * | 7/2017  | Casarez  | ..... | G03B 17/561           |
| 2017/0301230 | A1 * | 10/2017 | Liu      | ..... | G08C 17/02            |

OTHER PUBLICATIONS

LighTake | Toys & Hobbies | FPV Series | Handheld Gimbal | Albird Uoplay 3-Axis Handheld Universal Smartphone, posted on Nov. 28, 2016, © 2008-2017 Shenzhen Chuangteng Technology LTD [online], [site visited Mar. 21, 2018]. Available from Internet, <URL: <https://goo.gl/iKo6nW>>.\*

\* cited by examiner

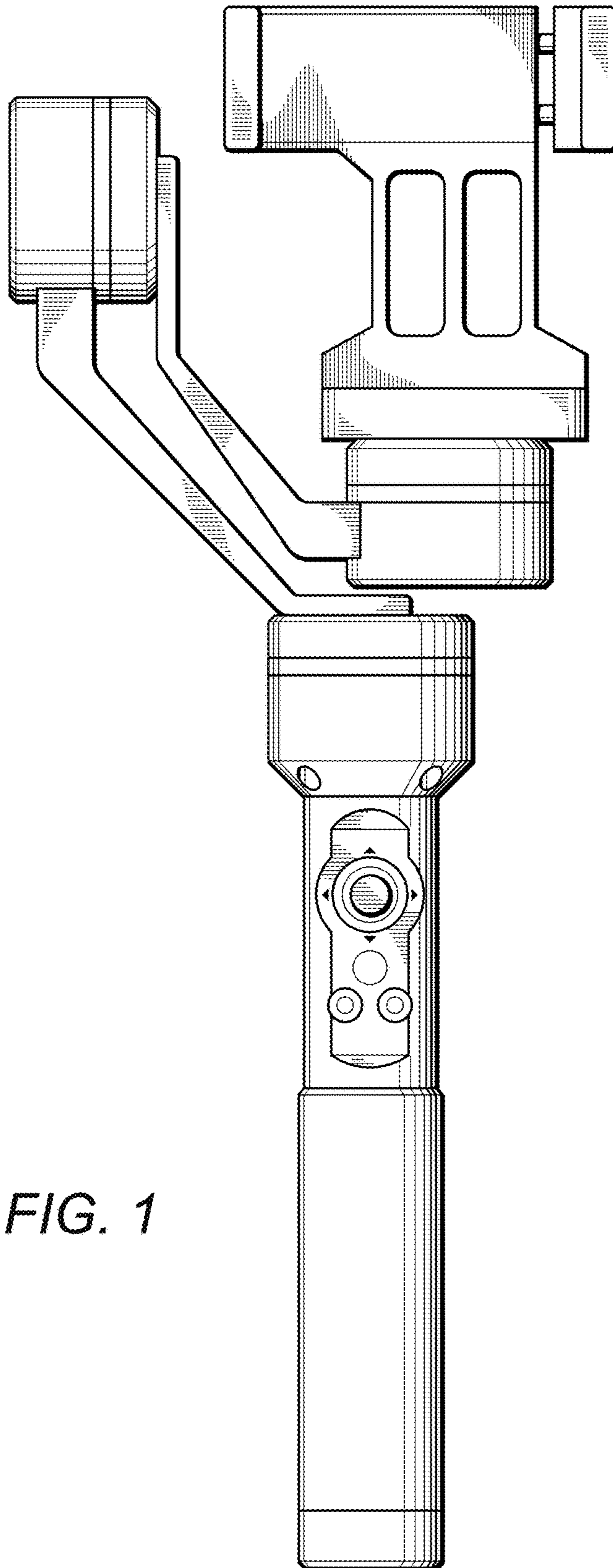


FIG. 1

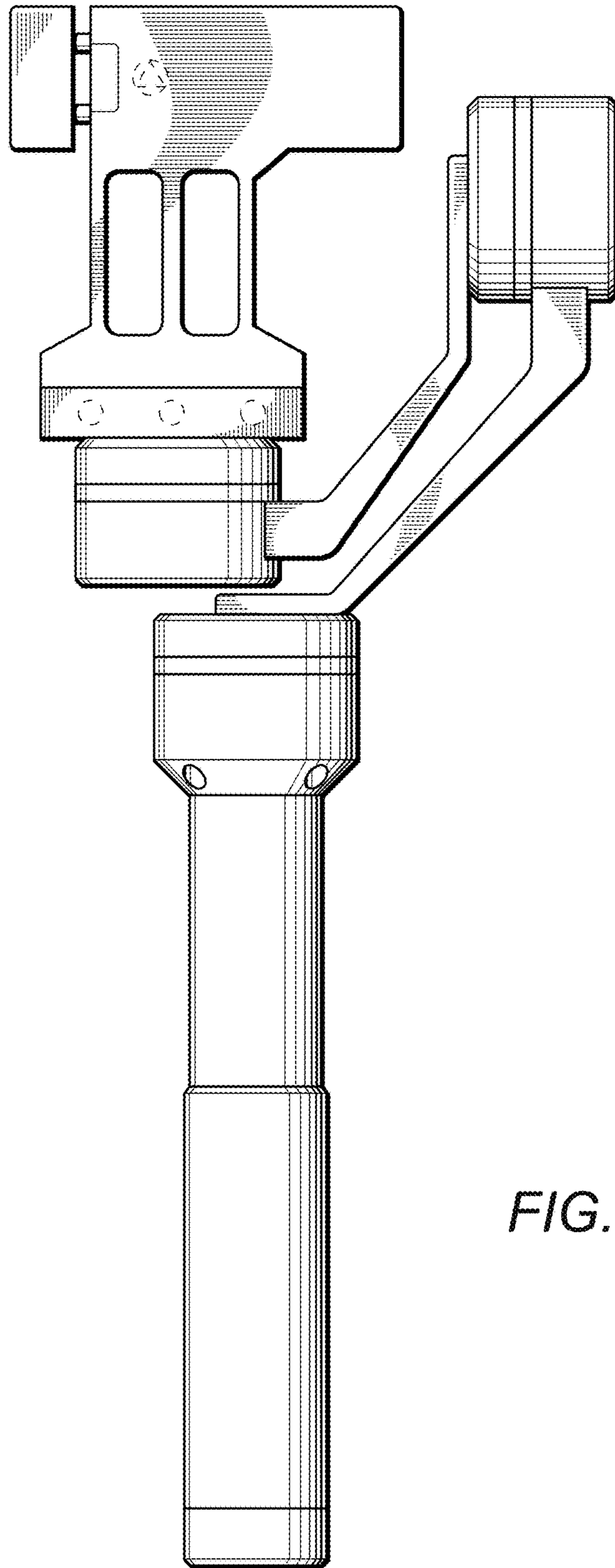


FIG. 2

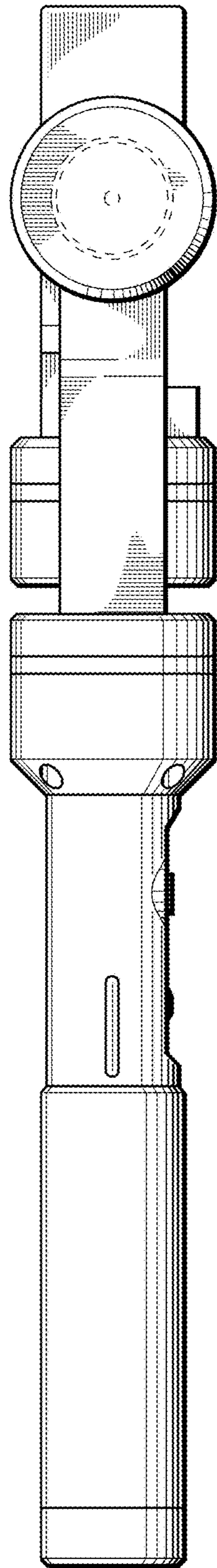
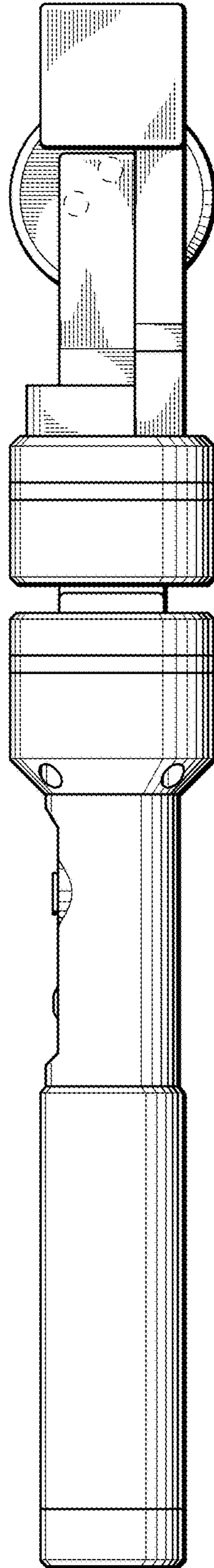
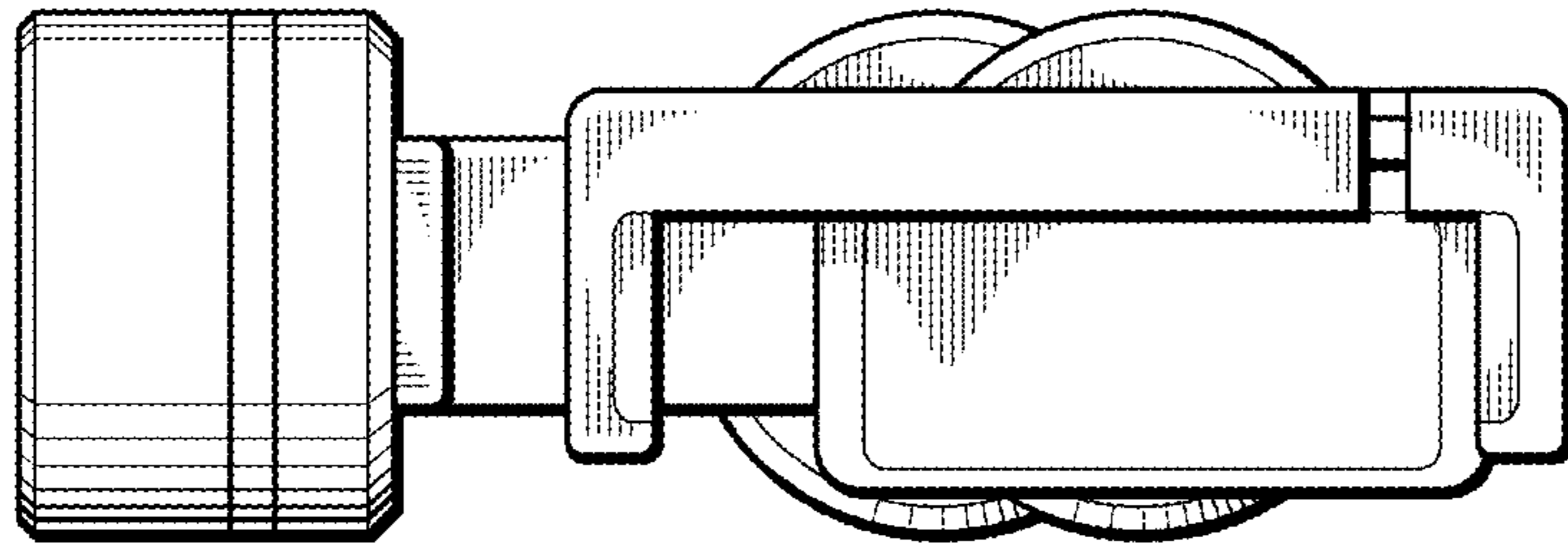


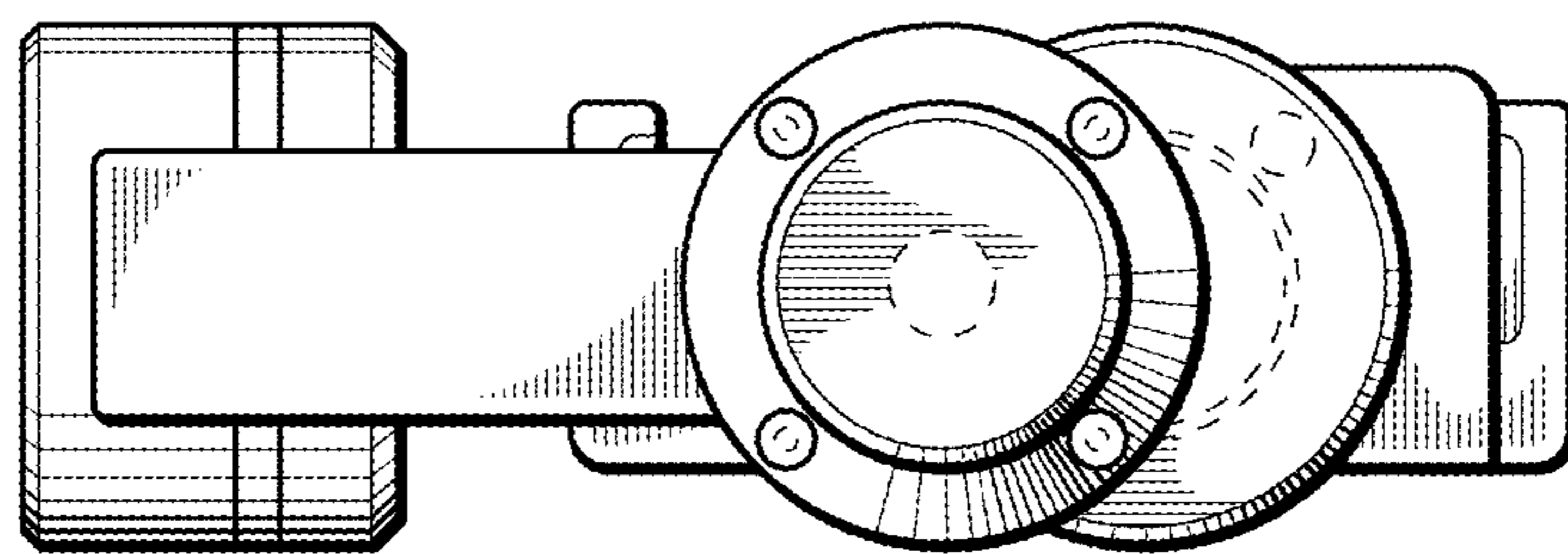
FIG. 3



*FIG. 4*



*FIG. 5*



*FIG. 6*