



US00D826308S

(12) **United States Design Patent**  
**Tremblay et al.**

(10) **Patent No.:** **US D826,308 S**

(45) **Date of Patent:** **\*\* Aug. 21, 2018**

(54) **CAMERA**

(71) Applicant: **FLIR SYSTEMS, INC.**, Wilsonville, OR (US)

(72) Inventors: **Marcel Tremblay**, Goleta, CA (US); **Zhenmei Mao**, Shanghai (CN); **Xuan Song**, Jiangsu (CN); **Jonathan Li**, Goleta, CA (US); **Theodore R. Hoelter**, Goleta, CA (US)

(73) Assignee: **FLIR Systems, Inc.**, Wilsonville, OR (US)

(\*\*) Term: **15 Years**

(21) Appl. No.: **29/589,463**

(22) Filed: **Dec. 30, 2016**

(51) **LOC (11) Cl.** ..... **16-05**

(52) **U.S. Cl.**  
USPC ..... **D16/219**

(58) **Field of Classification Search**  
USPC ..... D16/200, 202–206, 208, 218, 219;  
348/373–376; 396/177, 535, 539–541  
CPC ..... G03B 15/03; G03B 17/02; G03B 17/04;  
G03B 17/56; G03B 19/04; H04N 5/2251;  
H04N 5/2252; H04N 5/2253; H04N  
5/2254; H04N 2101/00  
See application file for complete search history.

(56) **References Cited**

**U.S. PATENT DOCUMENTS**

D508,065 S *	8/2005	Dow	.....	D16/202
D535,314 S *	1/2007	Chang	.....	D16/202
D557,311 S *	12/2007	Hanafusa	.....	D16/202
D562,867 S *	2/2008	Inaba	.....	D16/202
D579,475 S	10/2008	Aronsson		
D596,218 S *	7/2009	Kim	.....	D16/202
D597,576 S *	8/2009	Kim	.....	D16/202
D597,578 S *	8/2009	Kim	.....	D16/202

7,646,426 B2 *	1/2010	Saiki	.....	G06F 1/1626 348/373
D677,302 S *	3/2013	Fujita	.....	D16/219
D678,381 S *	3/2013	Fujita	.....	D16/219
D694,303 S *	11/2013	Ham	.....	D16/202
D695,329 S *	12/2013	Fujita	.....	D16/202

(Continued)

*Primary Examiner* — Philip S Hyder

*Assistant Examiner* — Ramzi S Almatrahi

(74) *Attorney, Agent, or Firm* — Haynes and Boone, LLP

(57) **CLAIM**

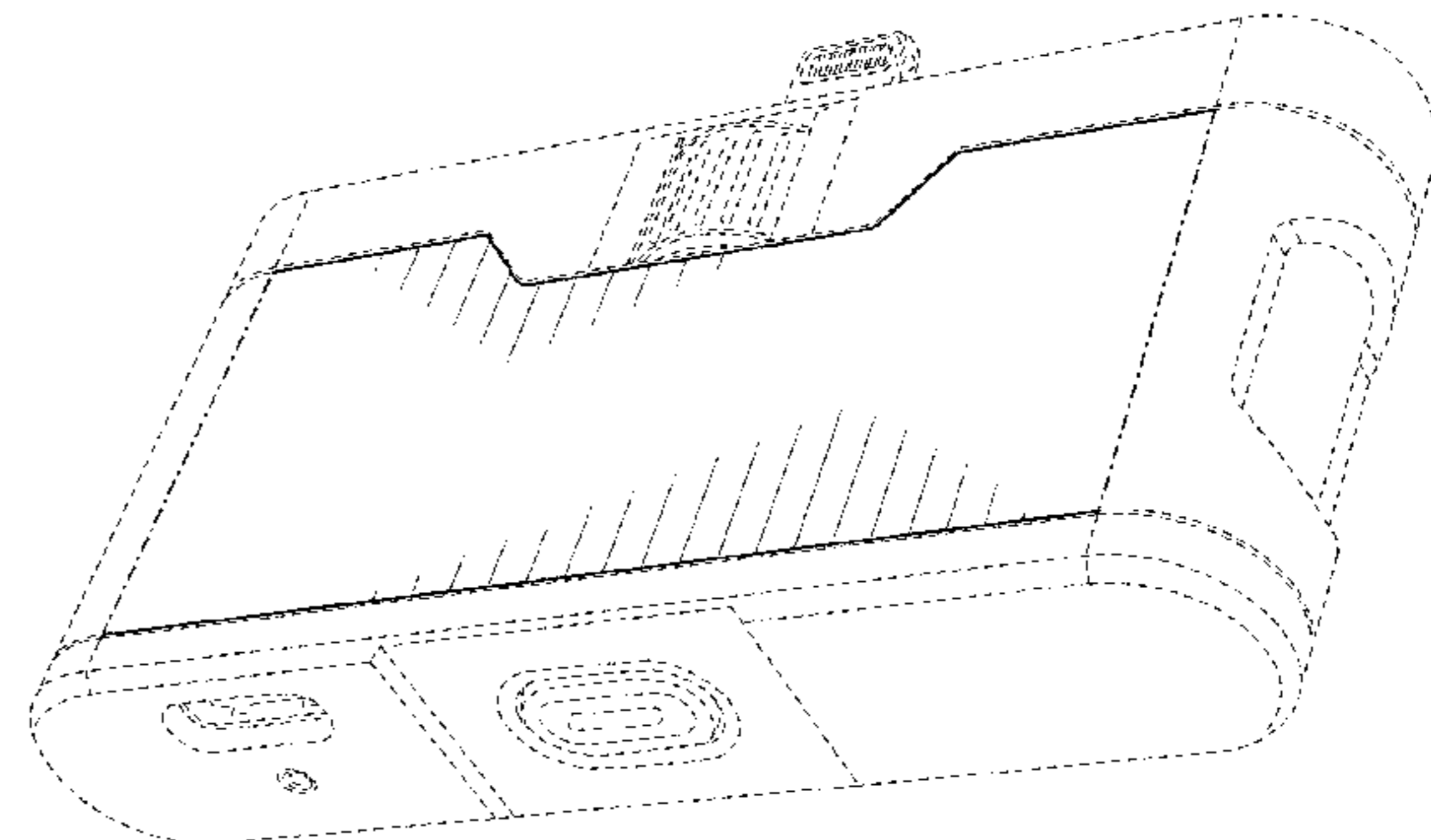
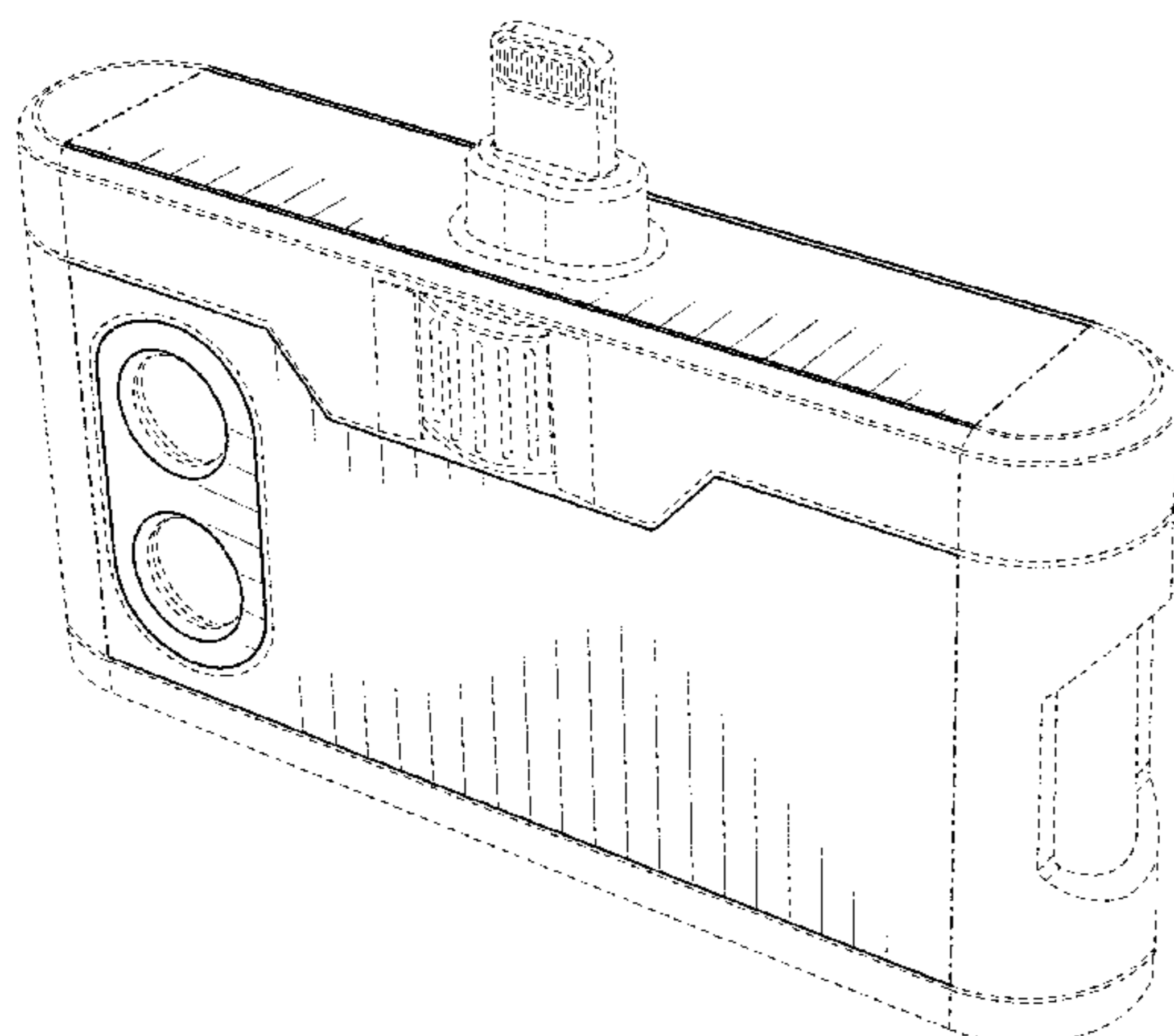
The ornamental design for a camera, as shown and described.

**DESCRIPTION**

FIG. 1 is a front, left, and top perspective view of a first embodiment of a camera showing our new design; FIG. 2 is a rear, right, and bottom perspective view thereof; FIG. 3 is a front elevational view thereof; FIG. 4 is a rear elevational view thereof; FIG. 5 is a right side view thereof; FIG. 6 is a left side view thereof; FIG. 7 is a top plan view thereof; FIG. 8 is a bottom plan view thereof; FIG. 9 is a front, left, and top perspective view of a second embodiment of a camera showing our new design; FIG. 10 is a rear, right, and bottom perspective view thereof; FIG. 11 is a front elevational view thereof; FIG. 12 is a rear elevational view thereof; FIG. 13 is a right side view thereof; FIG. 14 is a left side view thereof; FIG. 15 is a top plan view thereof; and, FIG. 16 is a bottom plan view thereof.

The broken lines depict portions of the camera in which the design is embodied that form no part of the claimed design. The dot-dash lines denote the boundary of the claim and form no part of the claimed design.

**1 Claim, 8 Drawing Sheets**



(56)

**References Cited**

U.S. PATENT DOCUMENTS

D707,742 S *	6/2014	Imamizu .....	D16/202
D718,801 S	12/2014	Zetterlund	
D720,791 S *	1/2015	Nagai .....	D16/219
D722,332 S *	2/2015	Kobayashi .....	D16/202
D724,645 S *	3/2015	Kim .....	D16/219
D734,803 S	7/2015	Hallgren	
D737,361 S *	8/2015	Lee .....	D16/202
D739,455 S *	9/2015	Ko .....	D16/219
D750,151 S *	2/2016	Kamei .....	D16/219
D751,622 S	3/2016	Mao et al.	
D766,353 S *	9/2016	Hayashi .....	D16/219
D809,050 S *	1/2018	Osada .....	D16/219

\* cited by examiner

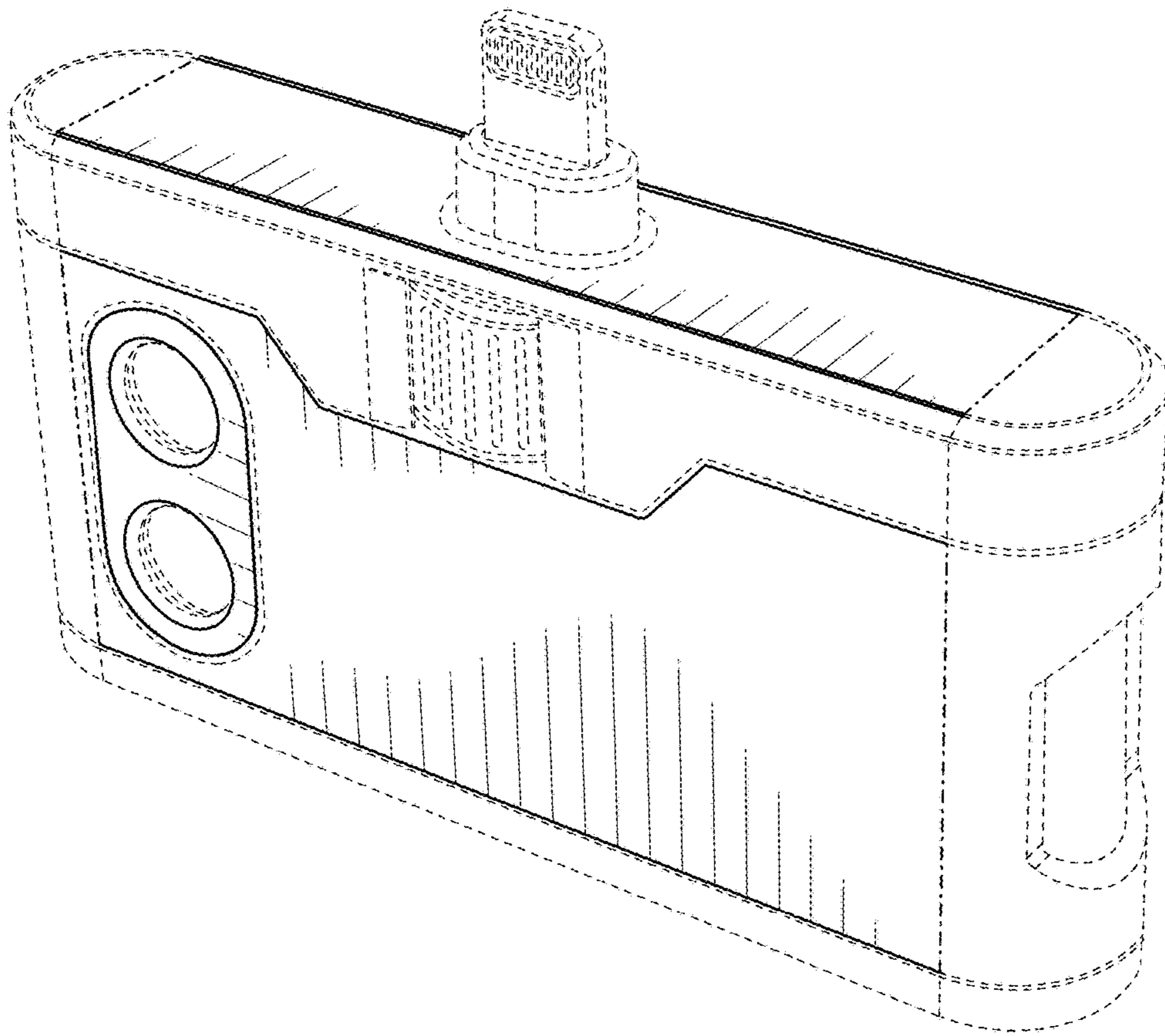


FIG. 1

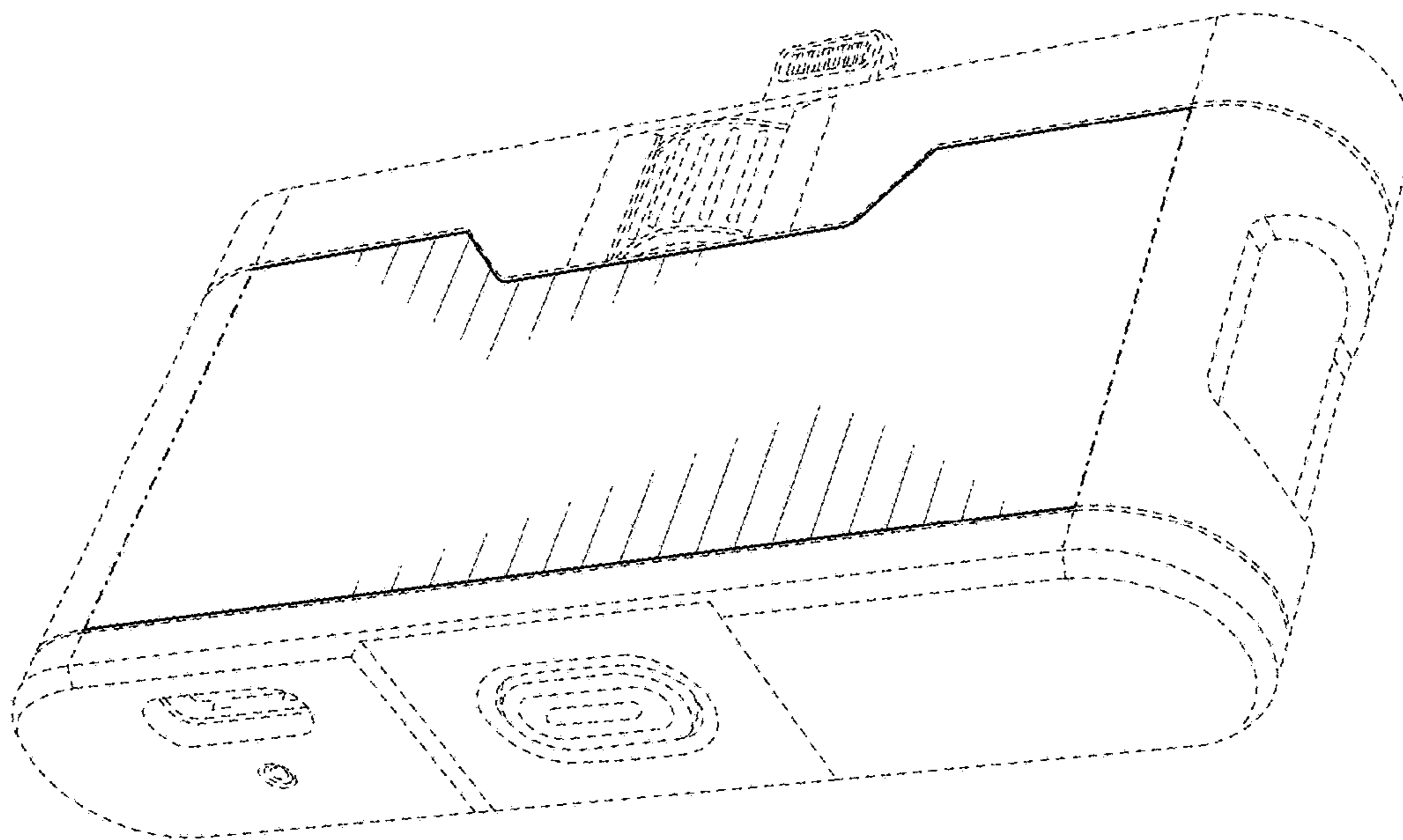


FIG. 2

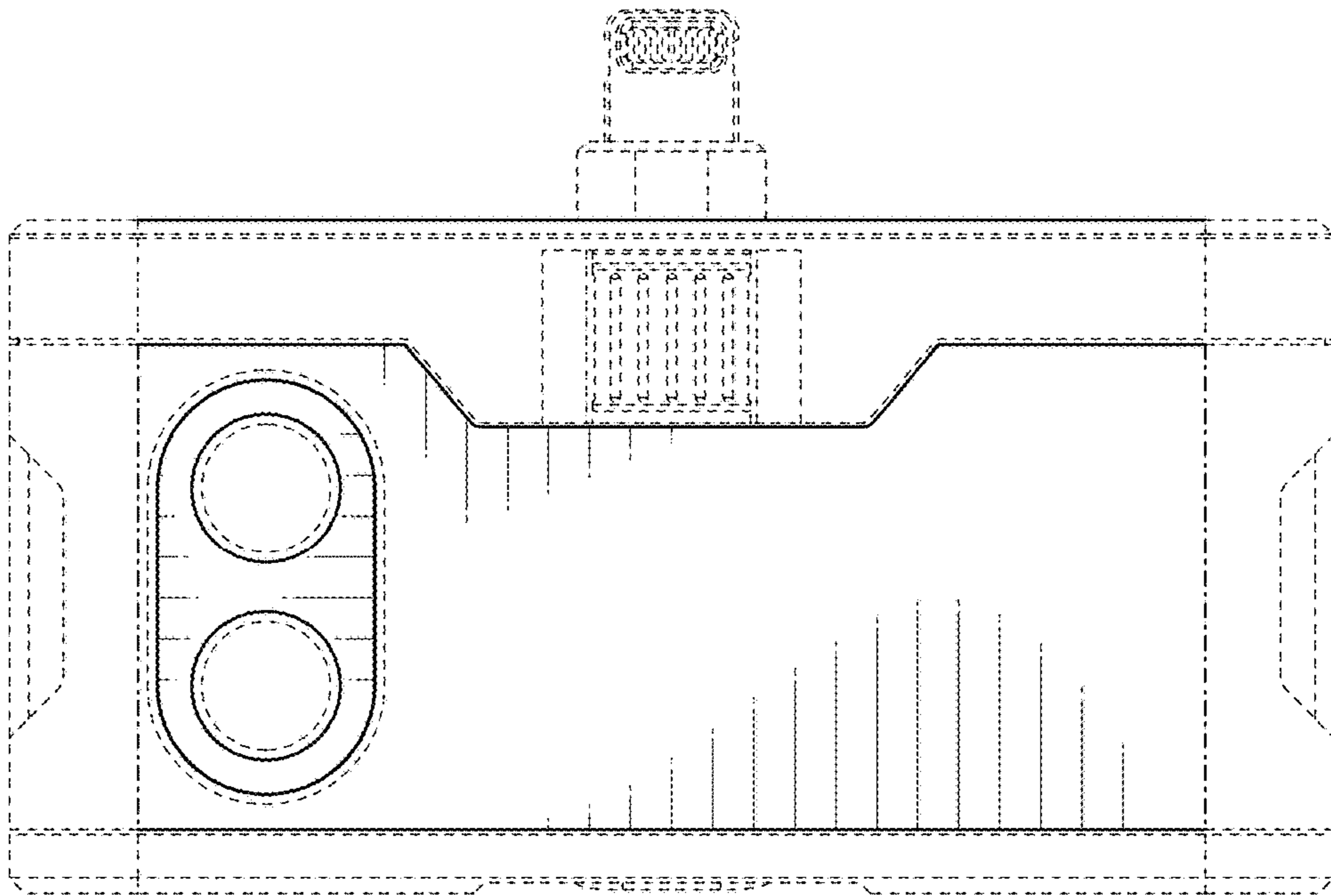


FIG. 3

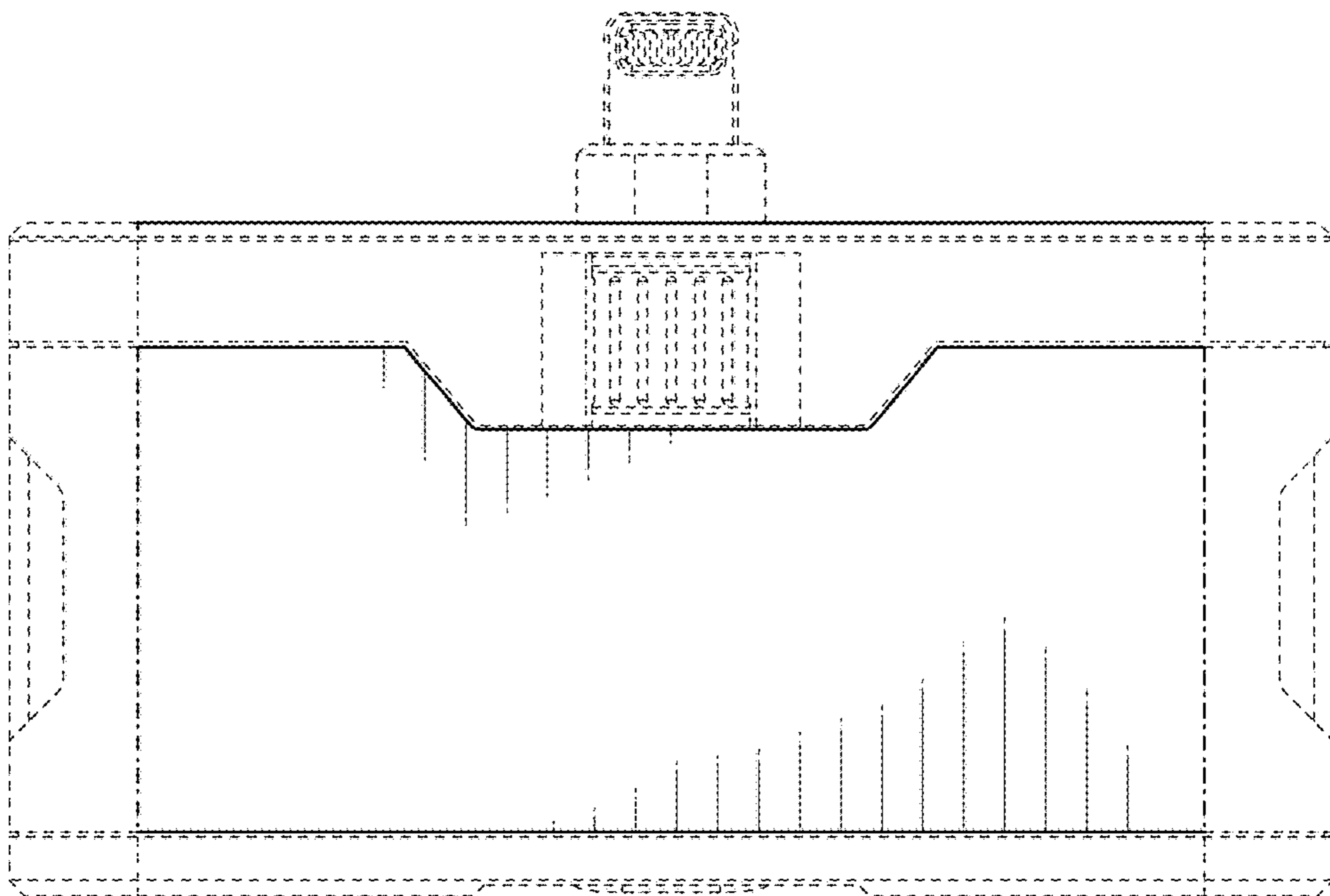


FIG. 4

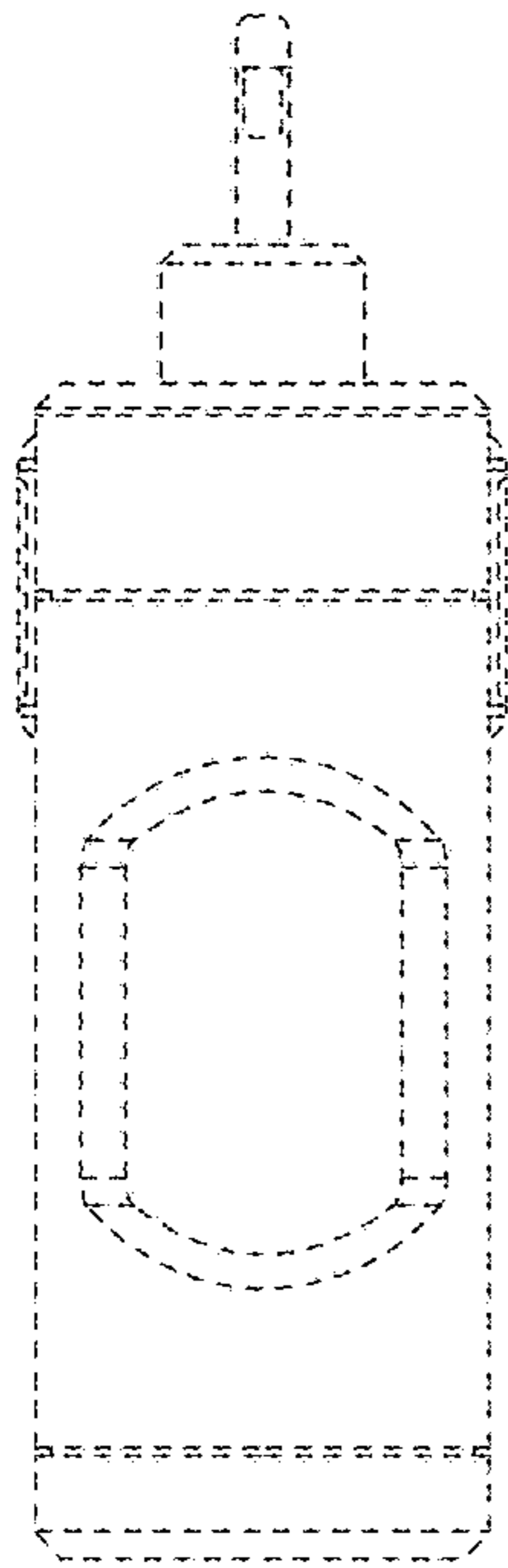


FIG. 5

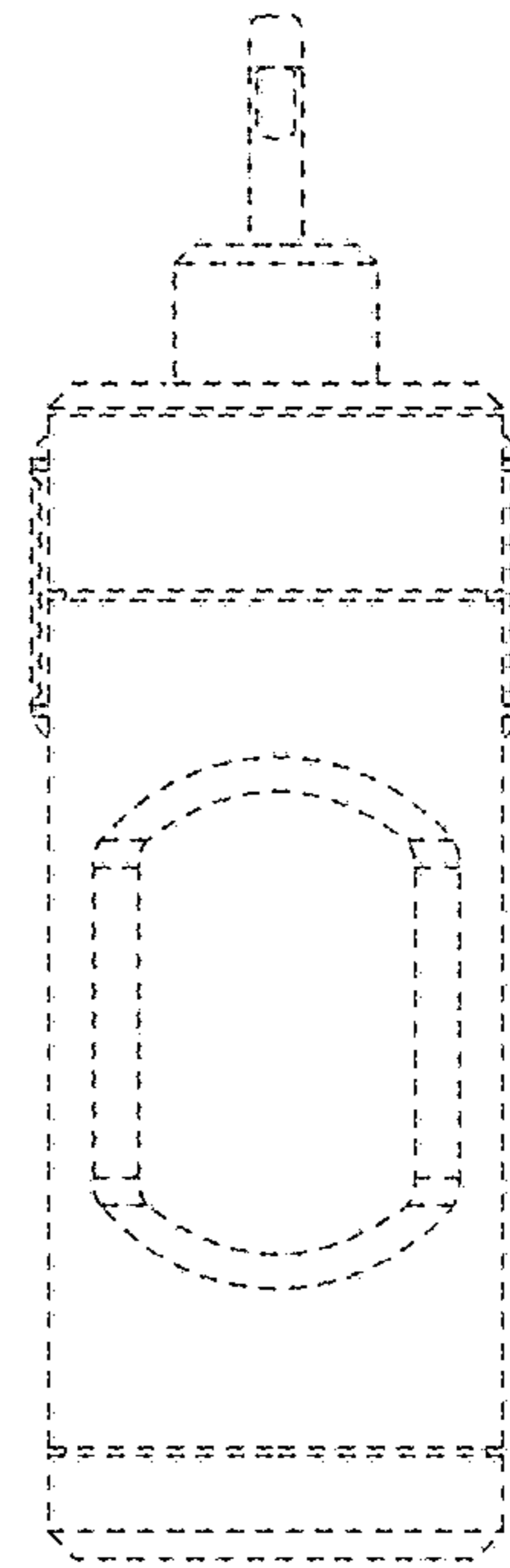


FIG. 6

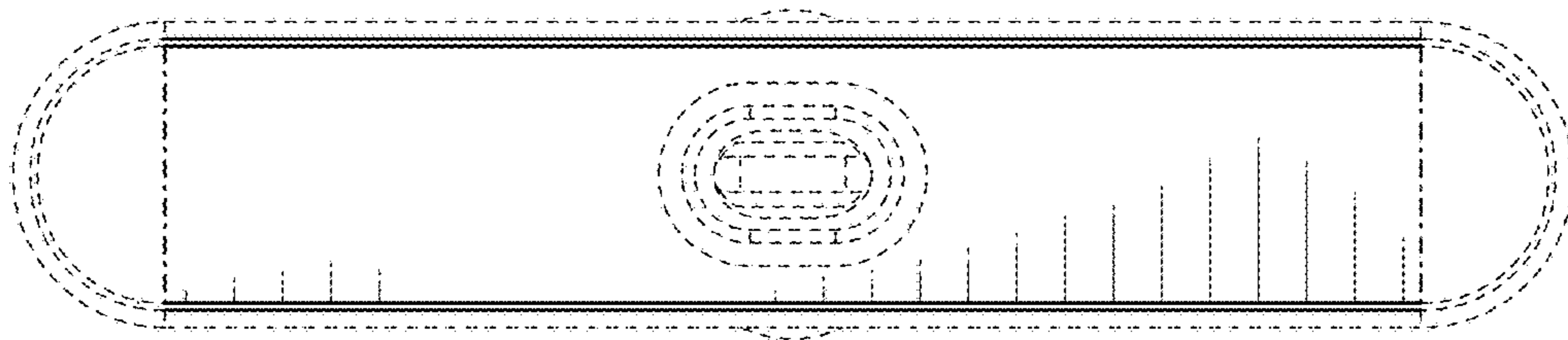


FIG. 7

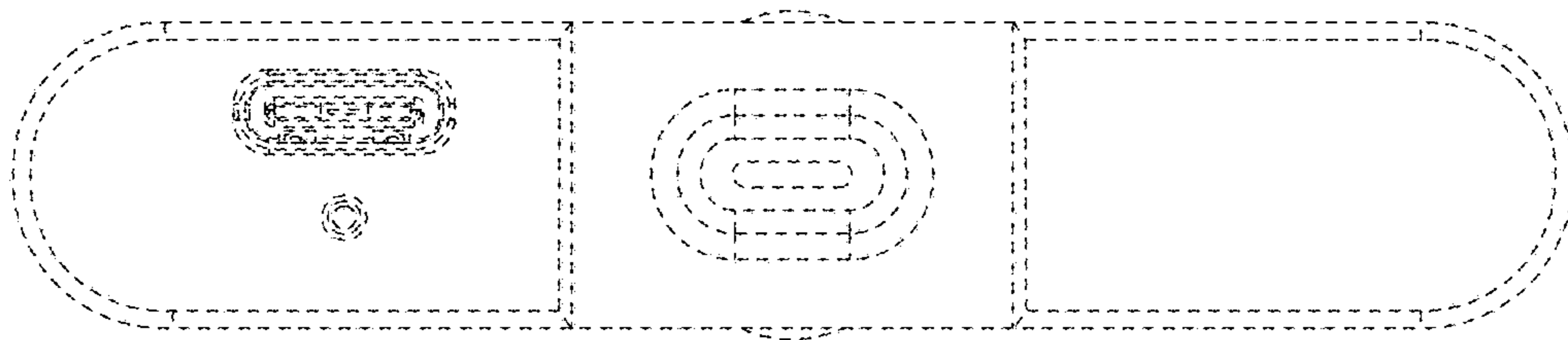


FIG. 8

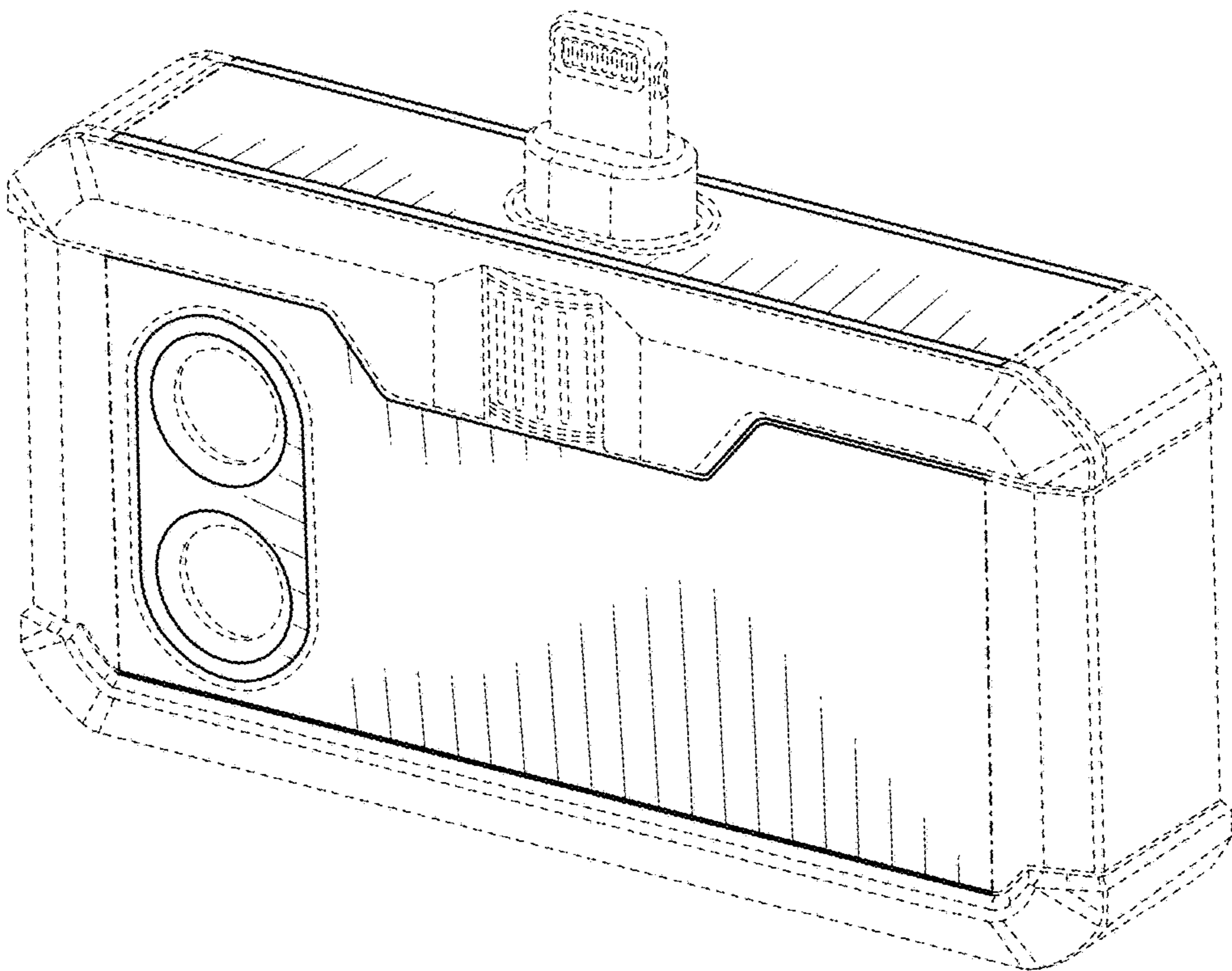


FIG. 9

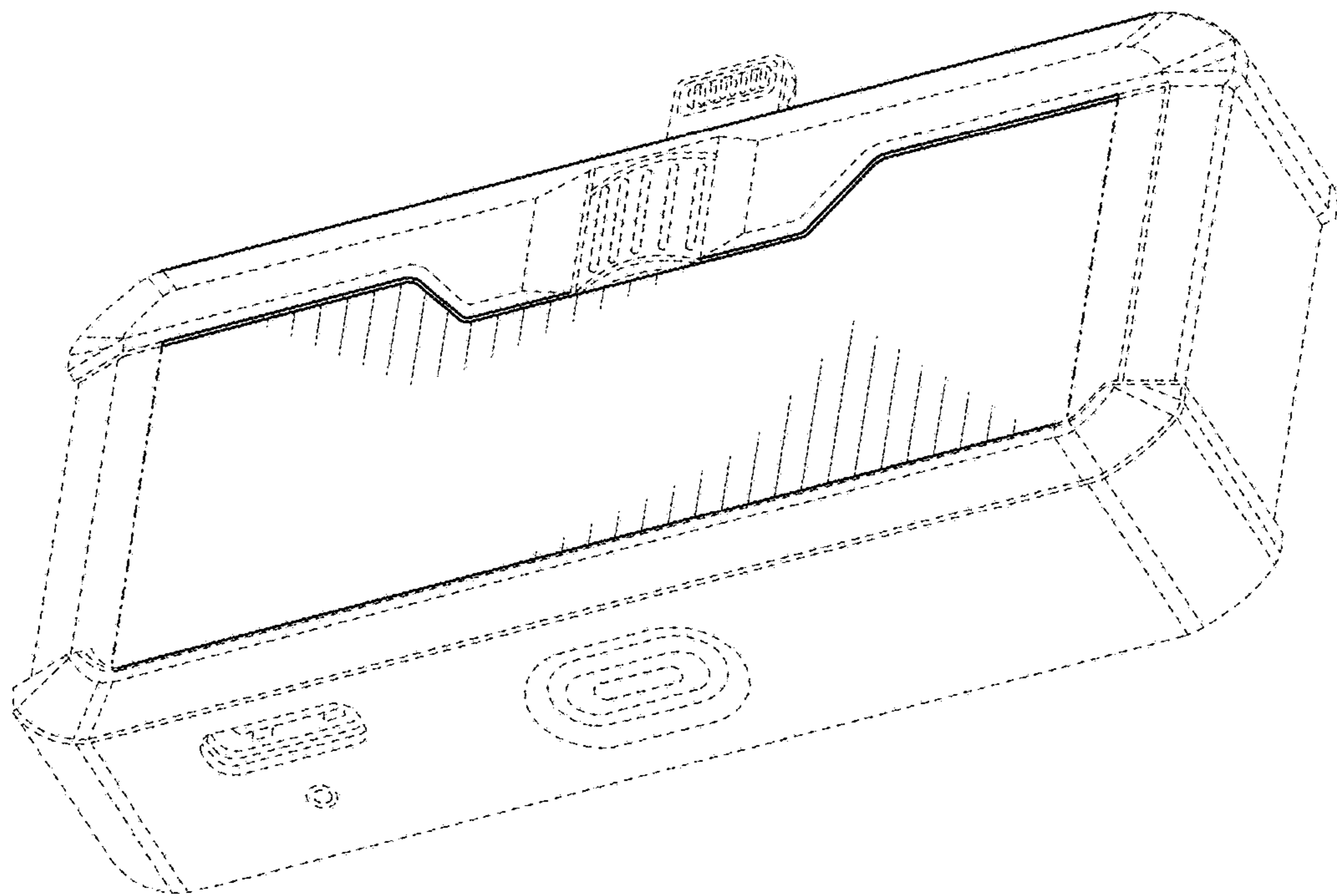


FIG. 10



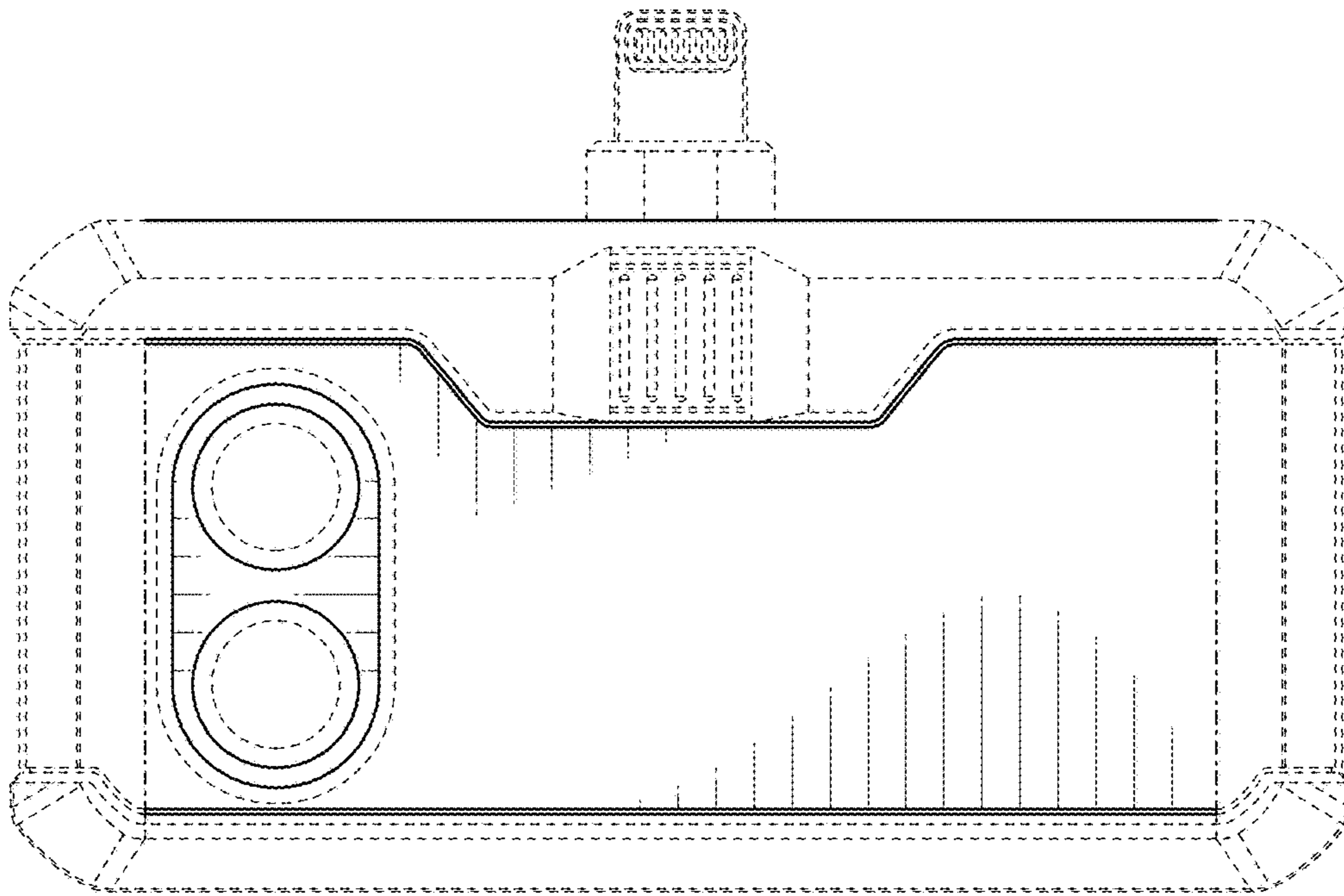


FIG. 11

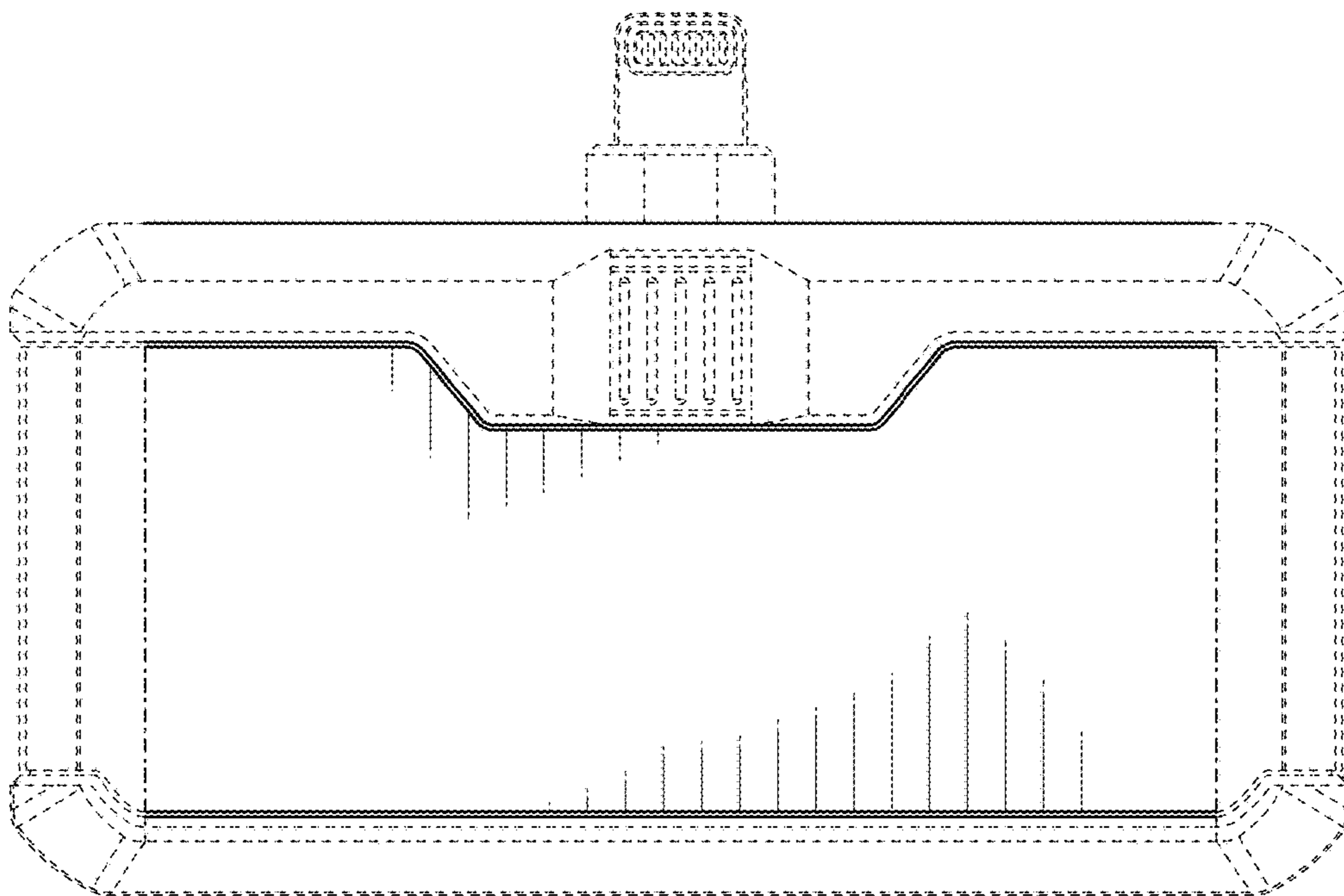


FIG. 12

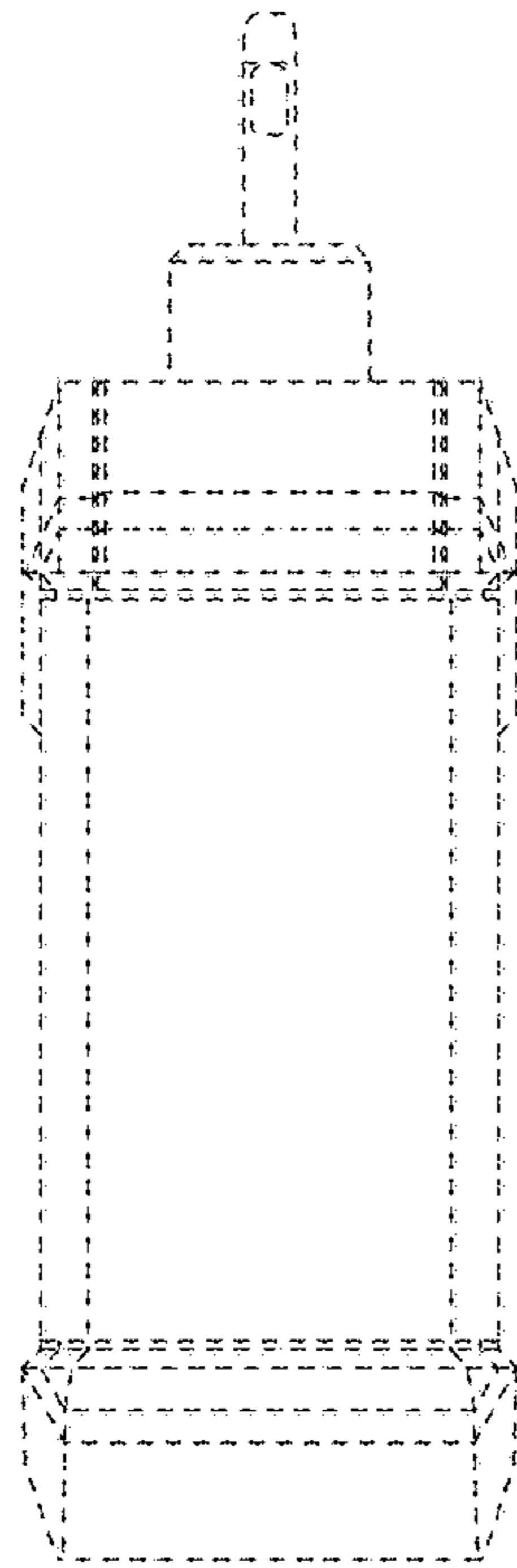


FIG. 13

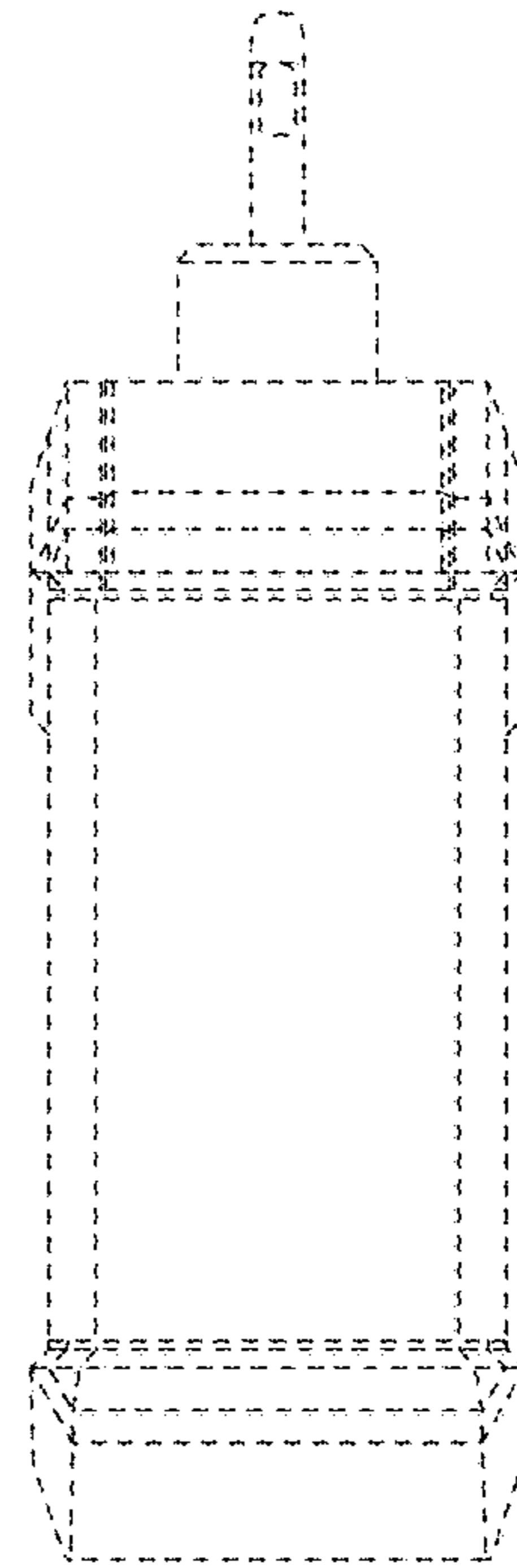


FIG. 14

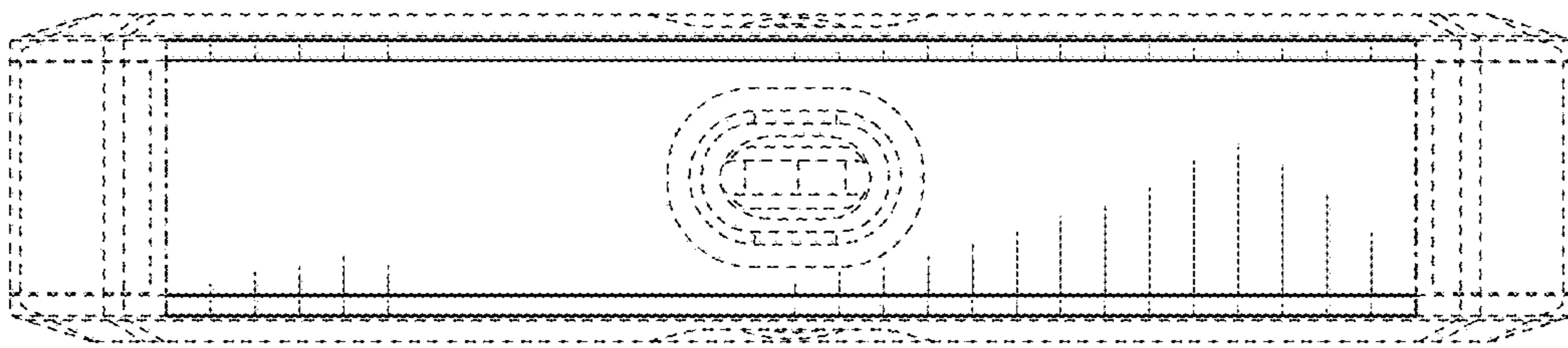


FIG. 15

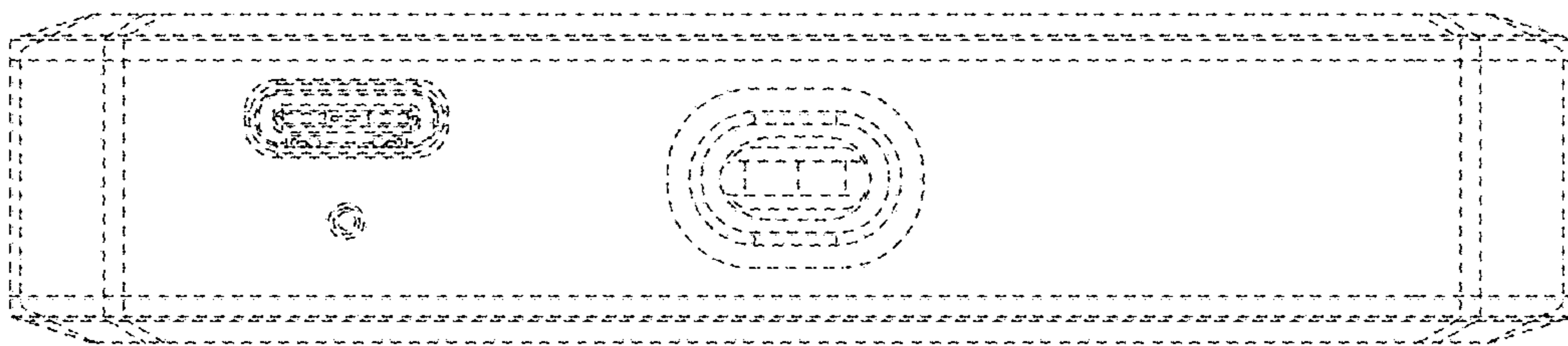


FIG. 16