



US00D826306S

(12) **United States Design Patent** (10) **Patent No.:** **US D826,306 S**
Duffy et al. (45) **Date of Patent:** **** Aug. 21, 2018**

(54) **VIDEO CAMERA**

(71) Applicant: **GOOGLE INC.**, Mountain View, CA (US)

(72) Inventors: **Gregory R. Duffy**, San Francisco, CA (US); **Melissa D. McLean**, Novato, CA (US); **Aamir S. Virani**, San Francisco, CA (US)

(73) Assignee: **GOOGLE LLC**, Mountain View, CA (US)

(**) Term: **15 Years**

(21) Appl. No.: **29/549,992**

(22) Filed: **Dec. 29, 2015**

Related U.S. Application Data

(63) Continuation of application No. 14/701,283, filed on Apr. 30, 2015, which is a continuation of application (Continued)

(51) **LOC (11) Cl.** **16-05**

(52) **U.S. Cl.**
USPC **D16/219**

(58) **Field of Classification Search**
USPC D16/200, 202–205, 208, 218, 219;
348/14.01–14.6, 143, 148, 151, 373–376;
396/419, 427, 428, 535, 539–541
(Continued)

(56) **References Cited**

U.S. PATENT DOCUMENTS

2,997,935 A 8/1961 Scheffold
3,782,260 A 1/1974 Ettischer et al.
(Continued)

OTHER PUBLICATIONS

Adipranata, Fast method for multiple human face segmentation in color image, 2008 Second Int'l Conference on Future Generation Communication and Networking, IEEE, 2008, 4 pgs.

Heo, Fusion of visual and thermal face recognition techniques: A comparative study. Univ. of Tennessee, Knoxville, TN, 2003, 75 pgs.

(Continued)

Primary Examiner — Philip S Hyder
Assistant Examiner — Ramzi Almatrahi
(74) *Attorney, Agent, or Firm* — Morgan, Lewis & Bockius LLP

(57) **CLAIM**

The ornamental design for a video camera, as shown and described.

DESCRIPTION

FIG. 1 is a front perspective view of a video camera showing the new design.

FIG. 2 is a rear perspective view of the video camera shown in FIG. 1.

FIG. 3 is a front elevation view of the video camera shown in FIG. 1.

FIG. 4 is a rear elevation view of the video camera shown in FIG. 1.

FIG. 5 is a left side elevation view of the video camera shown in FIG. 1.

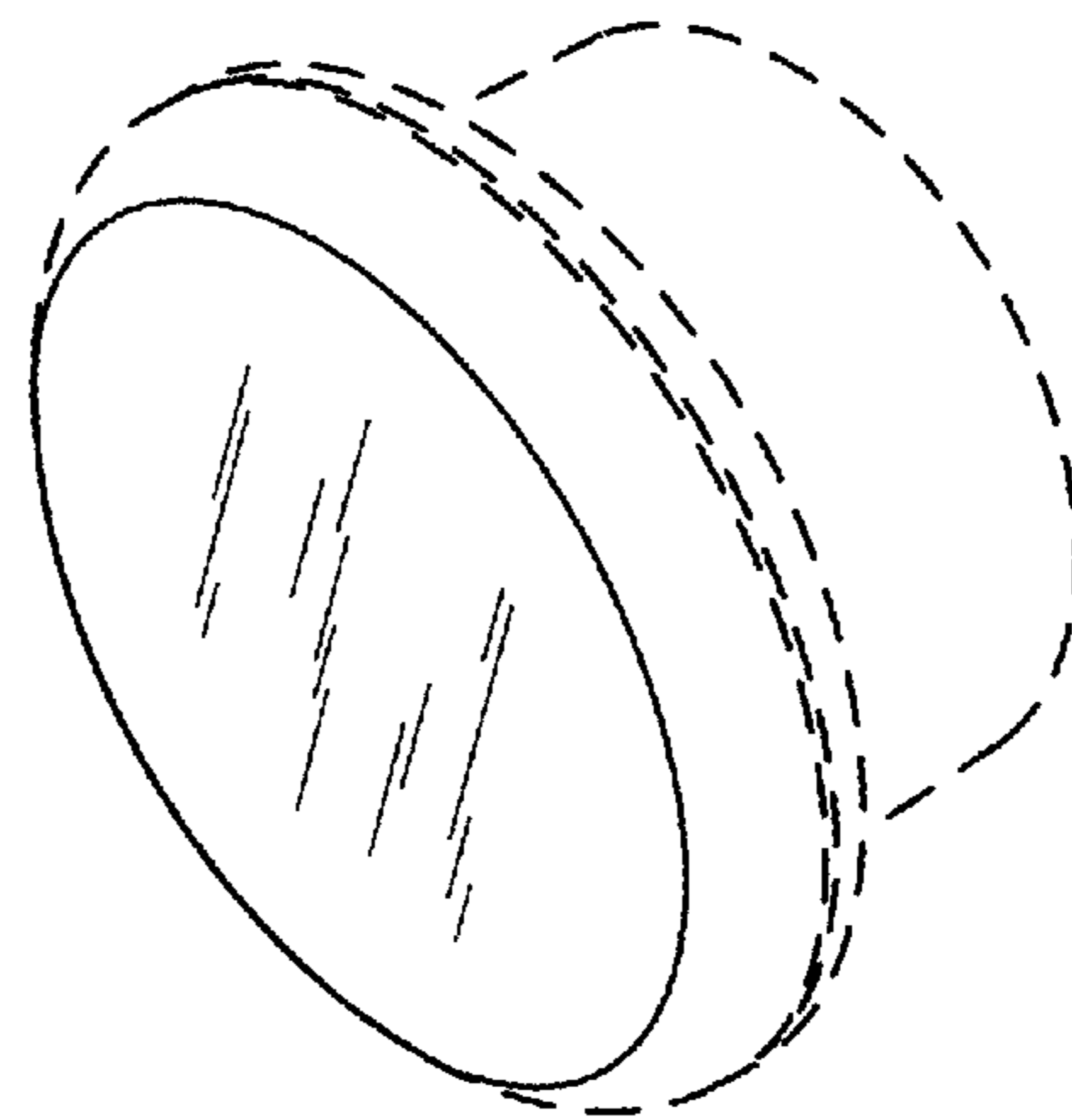
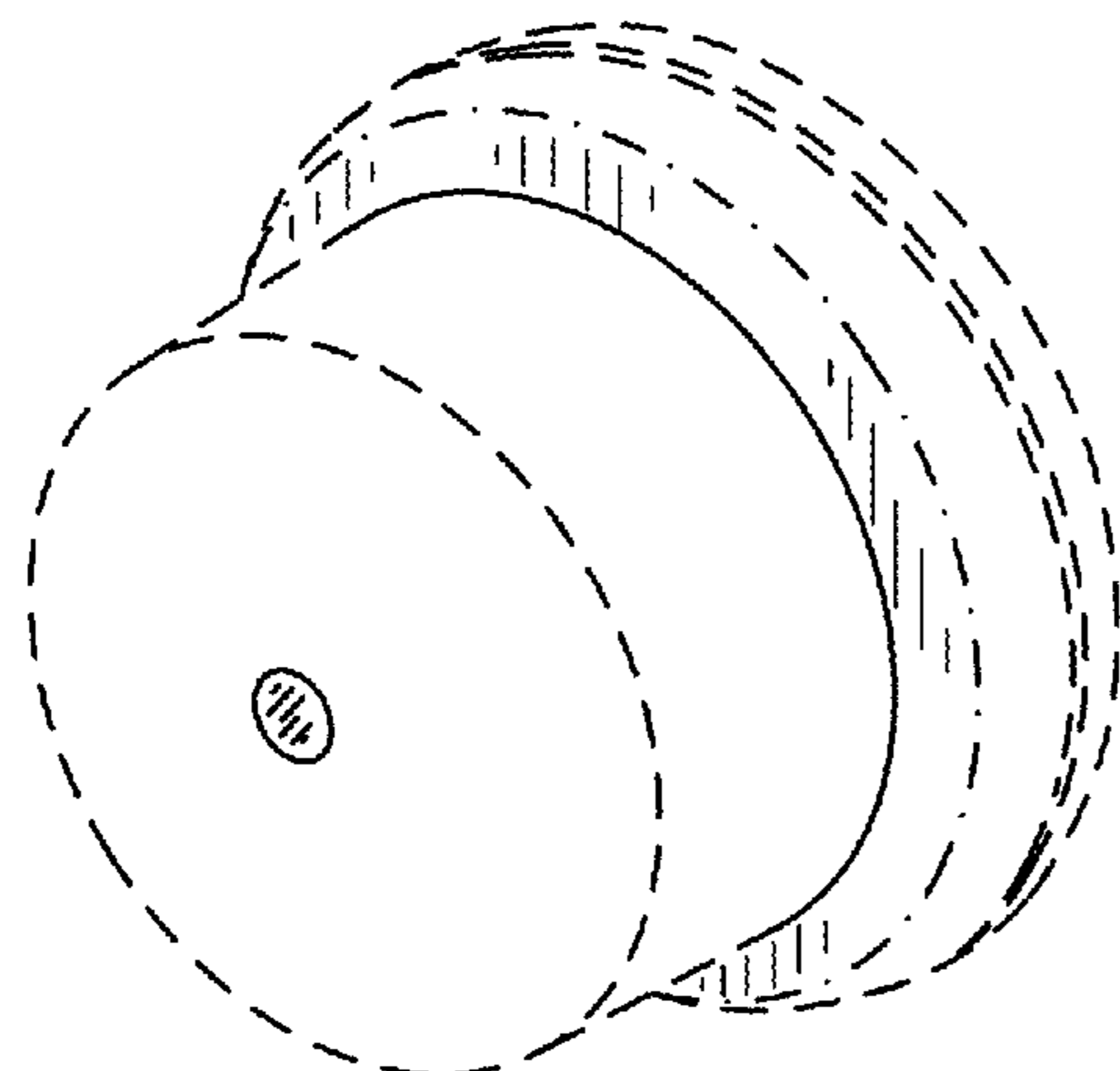
FIG. 6 is a front perspective view of a video camera, shown with a base and an arm disclosed in broken lines to illustrate an environment.

FIG. 7 is a front perspective view of a video camera, shown with an AC power plug disclosed in broken lines to illustrate an environment; and,

FIG. 8 is a front perspective view of a video camera, shown with side grippers disclosed in broken lines to illustrate an environment.

The broken lines depict portions of a video camera in which the design is embodied that form no part of the claimed design. The broken lines showing a base, arm, AC power plug and side grippers in FIGS. 6-8 represent environmental structure that form no part of the claimed design. The dash-dotted lines define the boundary of the claimed design in FIGS. 1, 3 and 7, and does not form part of the claimed design.

1 Claim, 4 Drawing Sheets



Related U.S. Application Data

No. 13/604,399, filed on Sep. 5, 2012, now Pat. No. 9,071,740.

(58) Field of Classification Search

CPC G03B 17/02; G03B 19/04; G03B 17/56;
 G03B 17/04; G03B 15/03; H04N
 2101/00; H04N 2007/145; H04N 7/141;
 H04N 7/142; H04N 7/147; H04N 7/148;
 H04N 7/15; H04N 7/152

See application file for complete search history.

(56) References Cited

U.S. PATENT DOCUMENTS

D349,914 S 8/1994 Usui
 D357,267 S 4/1995 Yotsuya
 D372,490 S 8/1996 Sheffield et al.
 5,604,534 A 2/1997 Hedges
 D385,571 S 10/1997 Abrams
 5,862,428 A 1/1999 An
 5,963,253 A 10/1999 Dwyer
 5,978,028 A 11/1999 Yamane
 6,088,470 A 7/2000 Camus
 D429,269 S 8/2000 Renkis
 D429,743 S 8/2000 Renkis
 6,141,052 A 10/2000 Fukumitsu et al.
 6,147,701 A 11/2000 Tamura et al.
 D442,202 S 5/2001 Pfeifer et al.
 D445,123 S 7/2001 Shen
 6,268,882 B1 7/2001 Elberbaum
 D446,534 S 8/2001 Zimmer
 D447,758 S 9/2001 Lin et al.
 D449,630 S 10/2001 Rak et al.
 D452,259 S 12/2001 Choi
 6,357,936 B1 3/2002 Elberbaum
 D455,164 S 4/2002 Tsang et al.
 6,462,781 B1 10/2002 Arnold
 D467,952 S 12/2002 Nakamura
 D469,775 S 2/2003 Bradley
 D470,874 S 2/2003 Chiu
 D470,875 S 2/2003 Liao
 6,515,275 B1 2/2003 Hunter
 6,634,804 B1 10/2003 Toste et al.
 6,650,694 B1 11/2003 Brown et al.
 6,678,001 B1 1/2004 Elberbaum
 6,714,236 B1 3/2004 Wada et al.
 6,714,286 B1 3/2004 Wheel
 6,727,954 B1 4/2004 Okada et al.
 D489,388 S * 5/2004 Saito D16/200
 6,762,790 B1 7/2004 Matko et al.
 D511,352 S 11/2005 Oliver et al.
 7,034,884 B2 4/2006 Misawa
 7,066,664 B1 6/2006 Sitoh et al.
 7,076,162 B2 7/2006 Yamashita
 D527,755 S 9/2006 Wu
 7,151,565 B1 12/2006 Wada et al.
 D534,938 S 1/2007 Beasley et al.
 D537,097 S 2/2007 Freeman
 D542,320 S 5/2007 Cheng
 D552,649 S 10/2007 Logan et al.
 D552,659 S 10/2007 Stephens et al.
 D555,692 S 11/2007 Liu et al.
 7,290,740 B2 11/2007 Joy et al.
 D558,250 S 12/2007 Hsia
 D563,446 S 3/2008 Stephens et al.
 D575,316 S 8/2008 Liu et al.
 7,443,446 B2 10/2008 Seo
 7,552,340 B2 6/2009 Ooi et al.
 7,586,537 B2 9/2009 Konishi et al.
 D606,105 S 12/2009 Hinkel
 7,646,425 B2 * 1/2010 Bohaker H04N 1/00127
 348/156
 D610,601 S 2/2010 Melder
 D614,223 S 4/2010 Kim et al.
 7,705,882 B2 4/2010 Engel et al.

D627,815 S 11/2010 Oba
 D628,223 S 11/2010 Kao et al.
 7,930,369 B2 4/2011 Marriott et al.
 D638,461 S 5/2011 Kim et al.
 7,986,369 B1 7/2011 Burns
 D648,766 S 11/2011 Chen
 D651,229 S 12/2011 Tan et al.
 D651,230 S 12/2011 Tan et al.
 8,072,536 B1 12/2011 Campbell
 D651,633 S 1/2012 Park et al.
 8,139,122 B2 3/2012 Rolston
 D657,410 S 4/2012 Helaoui et al.
 8,165,146 B1 4/2012 Melick et al.
 8,174,972 B2 5/2012 Cernius et al.
 8,359,622 B1 1/2013 Everson
 D678,929 S * 3/2013 Hancock D16/202
 8,402,145 B2 3/2013 Holden et al.
 8,432,485 B1 4/2013 Martinez et al.
 D687,085 S 7/2013 Manson
 8,504,707 B2 8/2013 Toebes et al.
 D694,305 S * 11/2013 Katori D16/203
 D697,119 S 1/2014 Park et al.
 8,625,024 B2 1/2014 Hsu
 D700,232 S 2/2014 Ramsay et al.
 D719,205 S * 12/2014 Matsumoto D16/202
 D729,296 S * 5/2015 Shelton D16/202
 D730,422 S * 5/2015 Kim D16/218
 9,071,740 B1 6/2015 Duffy
 D733,781 S 7/2015 Chen
 D734,801 S * 7/2015 Yang D16/202
 9,102,055 B1 8/2015 Konolige et al.
 D740,871 S * 10/2015 Moon D16/203
 D742,954 S * 11/2015 Simonelli D16/203
 D743,465 S * 11/2015 Aglassinger D16/203
 D745,916 S * 12/2015 Oh D16/134
 D746,350 S 12/2015 Li
 D748,709 S * 2/2016 Jeong D16/202
 D755,880 S 5/2016 Luo et al.
 9,330,307 B2 5/2016 Litvak et al.
 9,386,230 B1 7/2016 Duran et al.
 9,544,485 B2 1/2017 Conner
 2001/0015760 A1 8/2001 Fellegara
 2002/0003575 A1 1/2002 Marchese
 2002/0056794 A1 5/2002 Ibrahim
 2002/0107591 A1 8/2002 Gabai et al.
 2002/0141418 A1 10/2002 Ben-Dor et al.
 2002/0186317 A1 12/2002 Kayanuma
 2002/0191082 A1 12/2002 Fujino et al.
 2003/0164881 A1 9/2003 Ohe et al.
 2003/0169354 A1 9/2003 Aotsuka
 2003/0193409 A1 10/2003 Crank
 2003/0216151 A1 11/2003 Kitano et al.
 2004/0132489 A1 7/2004 Ryley et al.
 2004/0211868 A1 10/2004 Holmes et al.
 2004/0246341 A1 12/2004 Lee et al.
 2004/0247203 A1 12/2004 Dell'Eva
 2005/0062720 A1 3/2005 Rotzoll et al.
 2005/0073575 A1 4/2005 Thacher et al.
 2005/0128336 A1 6/2005 Toledano et al.
 2005/0149213 A1 7/2005 Guzak et al.
 2005/0151042 A1 7/2005 Watson
 2005/0200751 A1 9/2005 Weaver
 2005/0212958 A1 9/2005 Su et al.
 2005/0227217 A1 10/2005 Wilson
 2005/0230583 A1 10/2005 Wu
 2005/0237425 A1 10/2005 Lee et al.
 2005/0243022 A1 11/2005 Negru
 2005/0243199 A1 11/2005 Bohaker et al.
 2005/0275723 A1 12/2005 Sablak et al.
 2006/0017842 A1 1/2006 Jun
 2006/0024046 A1 2/2006 Jones et al.
 2006/0086871 A1 4/2006 Joseph et al.
 2006/0109375 A1 5/2006 Ho et al.
 2006/0109613 A1 5/2006 Chen
 2006/0123129 A1 6/2006 Toebes et al.
 2006/0123166 A1 6/2006 Toebes et al.
 2006/0210259 A1 9/2006 Matsumoto
 2006/0238707 A1 10/2006 Elvesjo
 2006/0244583 A1 11/2006 Kawada

(56)

References Cited

U.S. PATENT DOCUMENTS

- 2006/0262194 A1 11/2006 Swain
 2006/0282866 A1 12/2006 Kuo
 2007/0001087 A1 1/2007 Shyu et al.
 2007/0011375 A1 1/2007 Kumar
 2007/0036539 A1 2/2007 Martinez et al.
 2007/0083791 A1 4/2007 Panesar et al.
 2007/0222888 A1 9/2007 Xiao et al.
 2008/0001547 A1 1/2008 Negru
 2008/0005432 A1 1/2008 Kagawa
 2008/0012980 A1 1/2008 Yamane
 2008/0056709 A1 3/2008 Huang et al.
 2008/0074535 A1 3/2008 Ohsuga
 2008/0151052 A1 6/2008 Erel et al.
 2008/0152218 A1 6/2008 Okada et al.
 2008/0186150 A1 8/2008 Kao
 2008/0189352 A1 8/2008 Mitchell et al.
 2008/0231699 A1 9/2008 Konishi et al.
 2008/0291260 A1 11/2008 Dignan et al.
 2008/0309765 A1 12/2008 Dayan et al.
 2009/0019187 A1 1/2009 Okuma
 2009/0027570 A1 1/2009 Fujinawa
 2009/0069633 A1 3/2009 Orihara et al.
 2009/0102715 A1 4/2009 Lou et al.
 2009/0141918 A1 6/2009 Chris et al.
 2009/0141939 A1 6/2009 Chambers et al.
 2009/0175612 A1 7/2009 Wen
 2009/0195655 A1 8/2009 Pandey
 2009/0245268 A1 10/2009 Pugliese, IV
 2009/0248918 A1 10/2009 Diab et al.
 2009/0289921 A1 11/2009 Mickelson
 2009/0296735 A1 12/2009 Cernius et al.
 2009/0309969 A1 12/2009 Wendler
 2010/0026811 A1 2/2010 Palmer
 2010/0039253 A1 2/2010 Zang et al.
 2010/0076600 A1 3/2010 Cross et al.
 2010/0085749 A1 4/2010 Bezgachev et al.
 2010/0109878 A1 5/2010 Desrosiers
 2010/0180012 A1 7/2010 Heo et al.
 2010/0199157 A1 8/2010 Takaoka et al.
 2010/0271503 A1 10/2010 Safaee-Rad et al.
 2010/0306399 A1 12/2010 Khosravi et al.
 2010/0314508 A1 12/2010 Bevirt et al.
 2010/0328475 A1 12/2010 Thomas et al.
 2010/0330843 A1 12/2010 Gao
 2011/0007159 A1 1/2011 Camp et al.
 2011/0102438 A1 5/2011 Mathe et al.
 2011/0102588 A1 5/2011 Trundle et al.
 2011/0134243 A1 6/2011 Siann et al.
 2011/0134313 A1 6/2011 Kato
 2011/0158637 A1 6/2011 Jung et al.
 2011/0161076 A1 6/2011 Davis et al.
 2011/0193964 A1 8/2011 McLeod
 2011/0193967 A1 8/2011 Matsumoto et al.
 2011/0205965 A1 8/2011 Sprigg et al.
 2011/0231903 A1 9/2011 Springer et al.
 2011/0234803 A1 9/2011 Nakajima et al.
 2011/0255289 A1 10/2011 Krah
 2011/0267492 A1 11/2011 Prentice et al.
 2011/0285813 A1 11/2011 Girdzijauskas et al.
 2011/0293137 A1 12/2011 Gurman et al.
 2011/0299728 A1 12/2011 Markovic et al.
 2012/0081009 A1 4/2012 Shteynberg
 2012/0105632 A1 5/2012 Renkis
 2012/0106037 A1 5/2012 Diebel
 2012/0127270 A1 5/2012 Zhang et al.
 2012/0140068 A1 6/2012 Monroe et al.
 2012/0162416 A1 6/2012 Su et al.
 2012/0194650 A1 8/2012 Izadi et al.
 2012/0236373 A1 9/2012 Oyama
 2012/0246359 A1 9/2012 Scragg et al.
 2012/0262575 A1 10/2012 Champagne et al.
 2012/0263450 A1 10/2012 Totani
 2012/0328358 A1 12/2012 Akiyama
 2013/0053657 A1 2/2013 Ziarno et al.
 2013/0156260 A1 6/2013 Craig
 2013/0162629 A1 6/2013 Huang et al.
 2013/0314544 A1 11/2013 Ban
 2013/0321564 A1 12/2013 Smith et al.
 2013/0342653 A1 12/2013 McCloskey
 2014/0032796 A1 1/2014 Krause
 2014/0047143 A1 2/2014 Bateman et al.
 2014/0049609 A1 2/2014 Wilson
 2014/0119604 A1 5/2014 Mai et al.
 2014/0168421 A1 6/2014 Xu et al.
 2014/0241387 A1 8/2014 Ortiz
 2014/0270387 A1 9/2014 Hoof et al.
 2014/0333726 A1 11/2014 Tokui et al.
 2014/0375635 A1 12/2014 Johnson et al.
 2015/0052029 A1 2/2015 Wu et al.
 2015/0120389 A1 4/2015 Zhang et al.
 2015/0154467 A1 6/2015 Feng et al.
 2015/0170371 A1 6/2015 Muninder et al.
 2015/0181198 A1 6/2015 Baele et al.
 2015/0228114 A1 8/2015 Shapira et al.
 2016/0012588 A1 1/2016 Taguchi et al.
 2016/0022181 A1 1/2016 Valsan et al.
 2016/0029102 A1 1/2016 Daily
 2016/0094763 A1 3/2016 Patel
 2016/0094829 A1 3/2016 Georgiev et al.
 2016/0142681 A1 5/2016 Yu
 2016/0261829 A1 9/2016 Olsson et al.

OTHER PUBLICATIONS

- FabulaTech, What is USB for Remote Desktop, Dec. 12, 2011, 2 pgs, <http://web.archive.org/web/20111212070644/http://www.usb-over-network.com/usb-for-remote-desktop.html>.
 FabulaTech, What is USB over Network, Dec. 17, 2011, 2 pgs, <http://web.archive.org/web/20111217080253/http://www.usb-over-network.com/usb-over-network.html>.
 Parent, Android USB Port Forwarding, Dec. 26, 2011, 7 pgs, <http://www.codeproject.com/Articles/191930/Android-Usb-Port-Forwarding>.
 Silberman, Indoor Segmentation and Support Inference from RGBD Images, Computer Vision—ECCV 2012, Springer Berlin Heidelberg, Oct. 2012, pp. 746-780.
 USB/IP Project, USB Request Over IP Network, Dec. 27, 2011, 5 pgs, <http://web.archive.org/web/20111227171215/http://usbip.sourceforge.net/>.
 Hampapur, Smart surveillance: applications, technologies and implications, Information Communications and Signal Processing 2, 2003, pp. 1133-1138.
 KYO-TUX, IconArchive, Device WebCam Icon, Phuzion Iconset, Dec. 15, 2015, 3 pgs.
 Drivers—Video Cam: Download Drivers for (Genius VideoCAM NB) Visual/Video Camera, Computer Question Help, Dec. 15, 2015, 2 pgs.
 Restore.Solutions, Numus Software, USB/VID, Syntek Web Cam Device Drivers, Dec. 15, 2015, 10 pgs.
 John Lewis, Samsung SEB-1019RW Add-On Night Vision Baby Monitor Camera, Dec. 15, 2015, 2 pgs.
 0308 Brand USB 2.0 HD Night Vision Webcam Web Cam Camera Webcam With Microphone Sucker Stand for PC Computer Laptop Notebook, Dec. 18, 2015, 13 pgs.
 720p TF Card IP Wireless Camera Indoor Built-In Microphone Support Two Way Intercom for Smart Home Life and Unique PIR Alarm, Dec. 18, 2015, 3 pgs.
 Buy Svb Ladybird Tripod Webcam 4 Mega Pixel—4 Megapixel Web Cam Online, Best Prices in India: Rediff Shopping, Dec. 16, 2015, 3 pgs.
 Drivers—Video Cam: Download Drivers for (Genius VideoCAM NB) Visual/Video Camera, Computer Question Help, Jul. 3, 2008, 2 pgs.
 Ebay, Belkin F7D7601AU, Net Cam IP WIFI Baby Pet Monitor Camera Security Night Vision, Dec. 15, 2015, 5 pgs.
 Ebay, Lot of 2 USB WebCam Web Cam Camera Logitech Quickcam HP Hewlett Packard, Dec. 16, 2015, 3 pgs.
 Ebay, Motorola, MBP421 Digital Video & Sound Rechargeable Baby Monitor 1.8" LCD Screen, Dec. 15, 2015, 5 pgs.

(56)

References Cited

OTHER PUBLICATIONS

Ebay, New Smallest Mini Camera Camcorder Video Recorder DVR Spy Hidden Pinhole Web Cam, Dec. 2, 2015, 4 pgs.
Goods in Stock PC Camera USB Plug and Play Free Driver Digital Webcam Stand Web Camera, Dec. 18, 2015, 12 pgs.
Input Devices on Pinterest, Computers, Mice and Apples, Tanna Darty, Dec. 15, 2015, 1 pg.
Ion Camera, The Home Pro Wi-Fi Wireless Cloud Video Monitoring Security Camera (Black): Camera & Photo, Dec. 15, 2015, 6 pgs.
Joel Johnson, Glowdoodle Turns Your Crappy Webcam in a Crappier Webcam (in a good way), webcam—Boing Boing, Dec. 16, 2015, 8 pgs.
John Lewis, Samsung SEB-1019R W Add-On Night Vision Baby Monitor Camera, Dec. 15, 2015, 2 pgs.
KYO-TUX, IconArchive, Device WebCam Icon, Phuzion Iconset, Jun. 8, 2010, 3 pgs.
Linksys Wireless-N Internet Home Monitoring Camera: Home Security Systems: Camera & Photo, Amazon.com, Dec. 15, 2015, 7 pgs.

Logi Circle: Portable Home Surveillance Camera from Logitech (video), AppleApple.Top World News, Feb. 10, 2015, 5 pgs.
Mini Universal Tripod Stand for Digital Camera and Webcam A33-in Tripods from Consumer Electronics on Aliexpress.com, Alibaba Group, Store: Angel One-Stop Shopping Center, Dec. 16, 2015, 3 pgs.
Restore.Solutions, Numus Software, USB/VID, Syntek Web Cam Device Drivers, Dec. 12, 2015, 10 pgs.
SIV AI-BALL Very Small Hidden IP Network Camera Battery Powered Wireless IP Camera, Alibaba.com, 1999-2015, 7 pgs.
TechAllianz, How to Pick The Right Webcam, Satyakam, Jan. 22, 2013, 4 pgs.
TREK Ai-Ball Mini WiFi Spy Cam IP Wireless Camera for Iphone / Android /Ipad, Tmart, www.tmart.com, Dec. 18, 2015, 6 pgs.
Tripod Support for a QuickCam (or other webcam), Instructables, 2015, 3 pgs.
Web Camera 6 Stock Photo, Dreamstime, Dec. 16, 2015, 2 pgs.

* cited by examiner

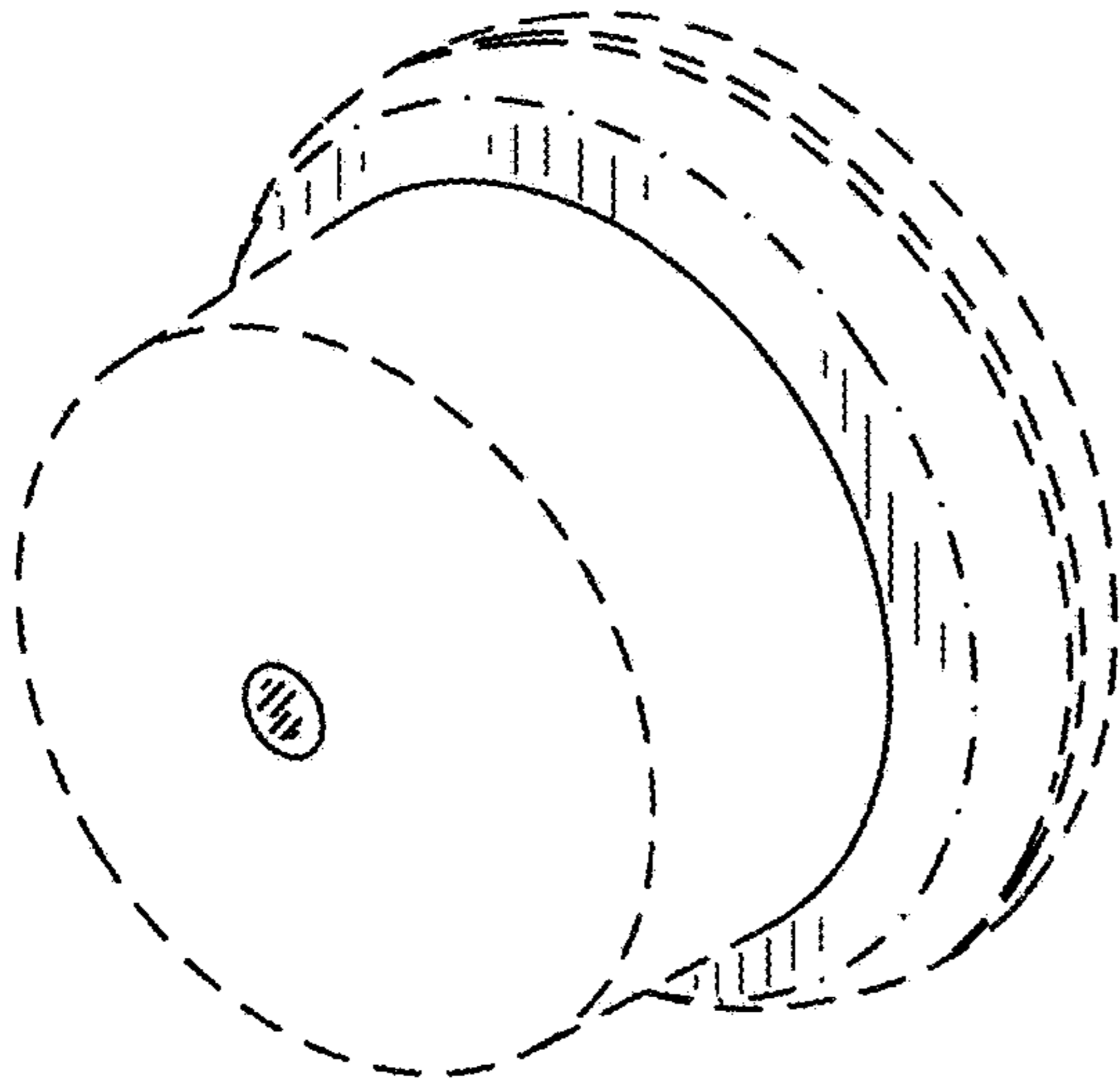


FIG. 1

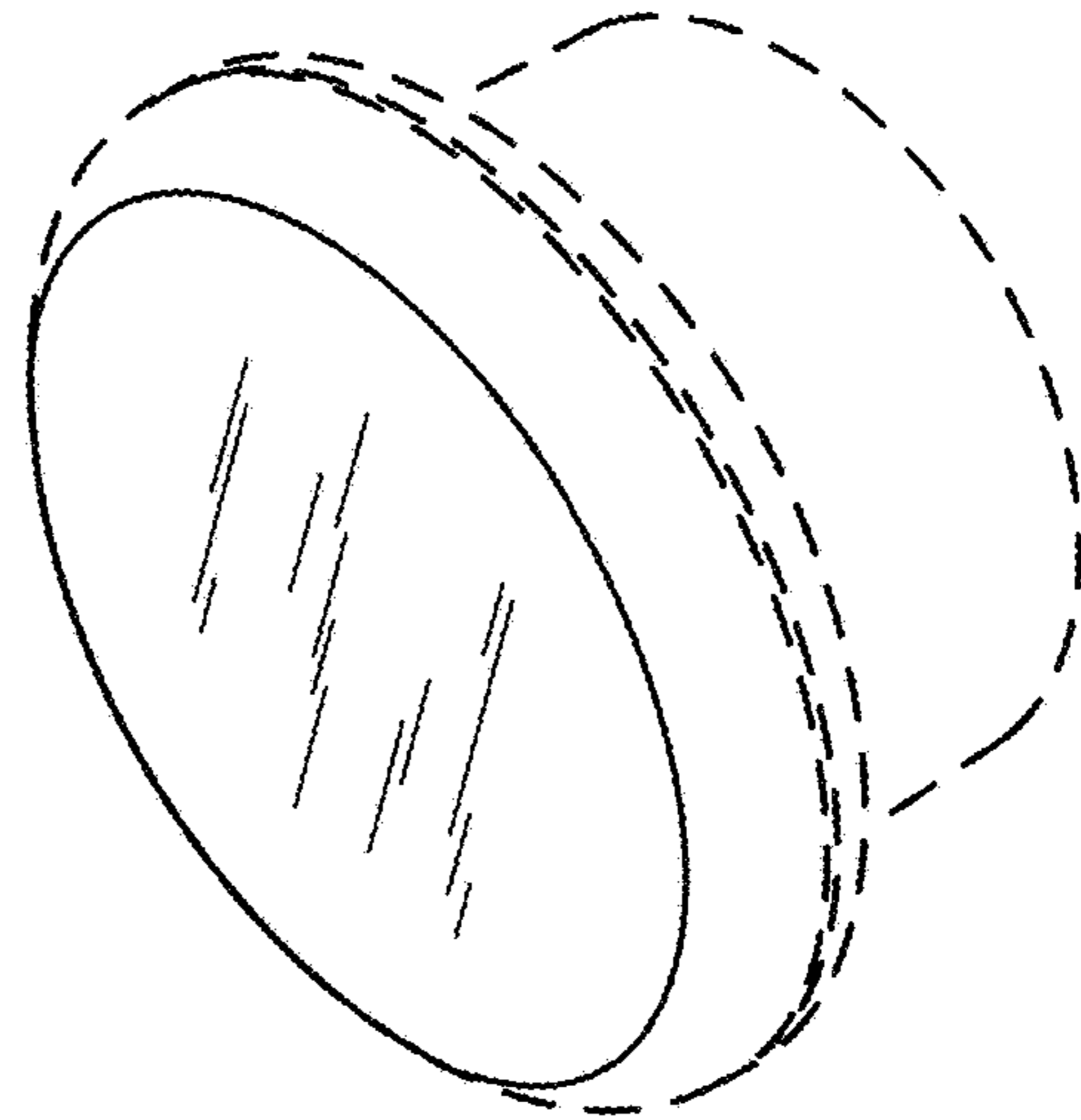


FIG. 2

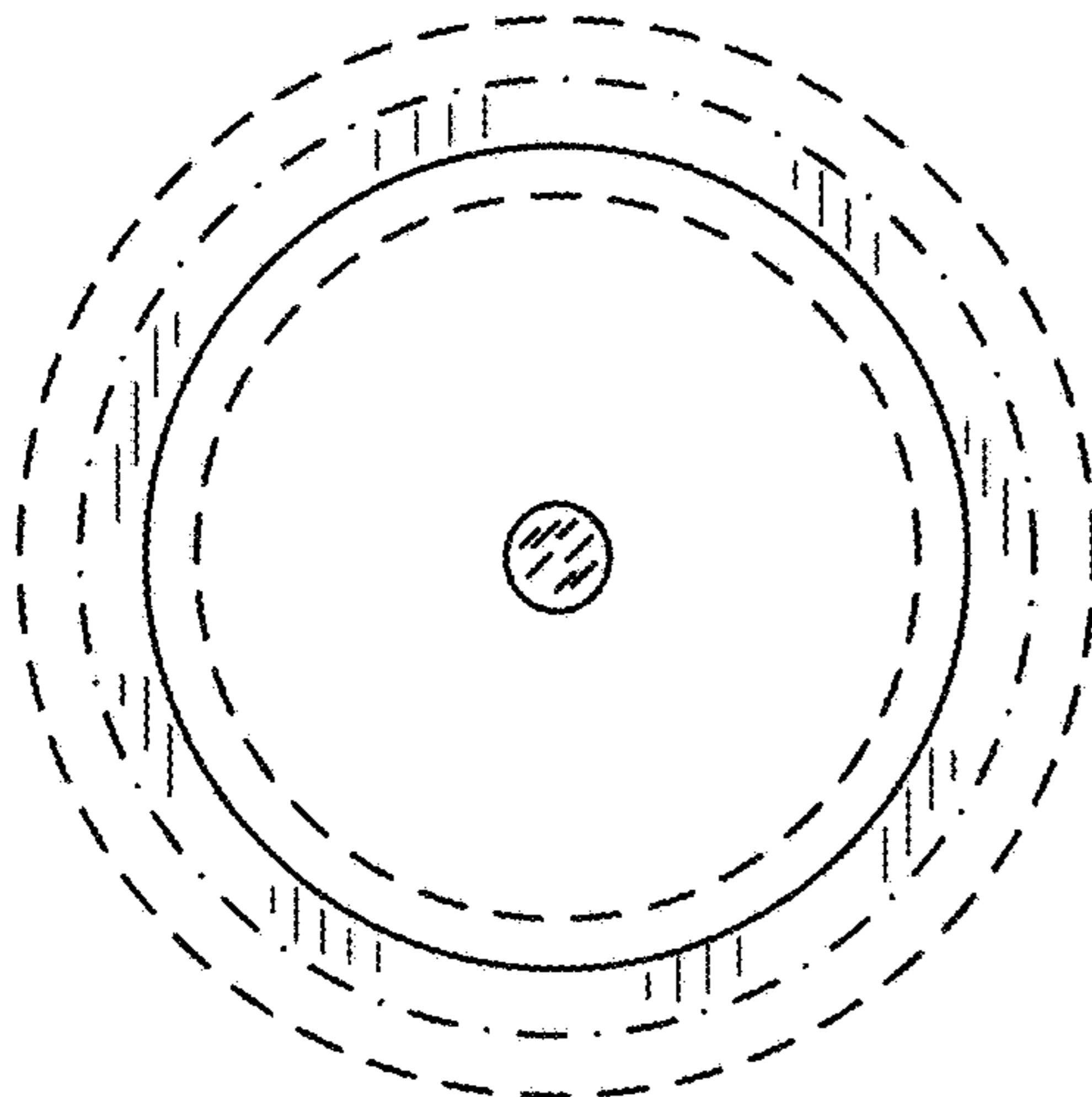


FIG. 3

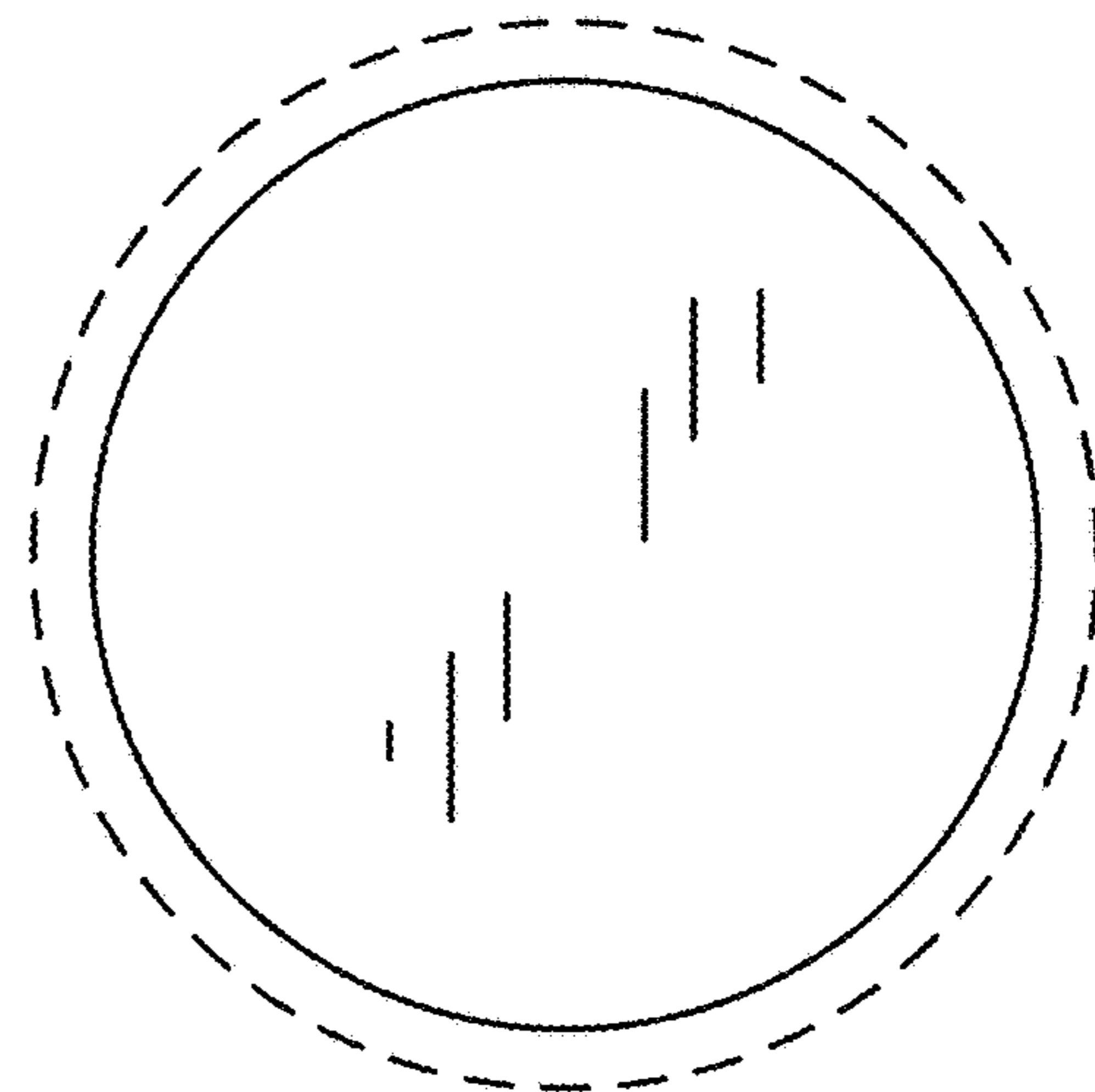


FIG. 4

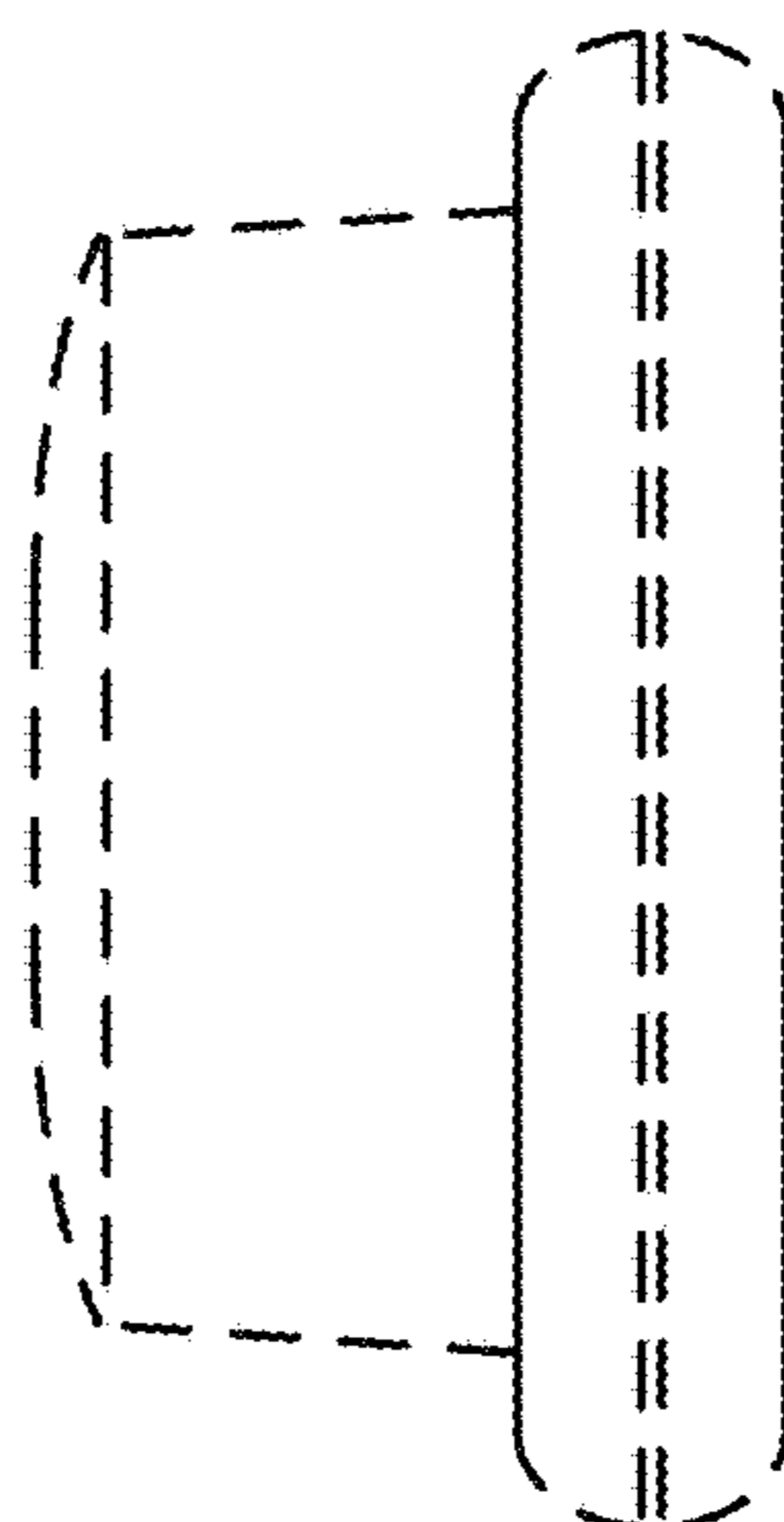


FIG. 5

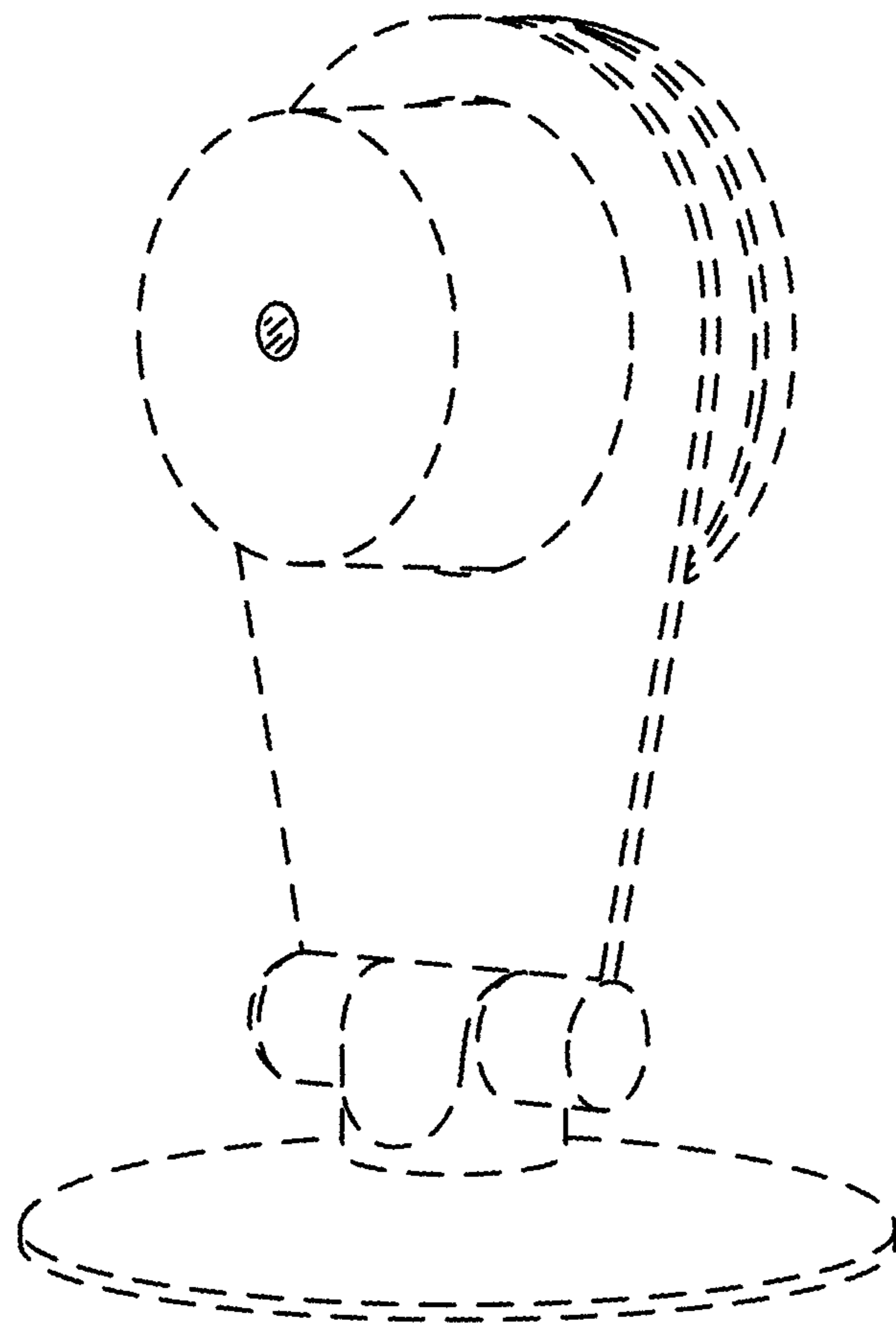


FIG. 6

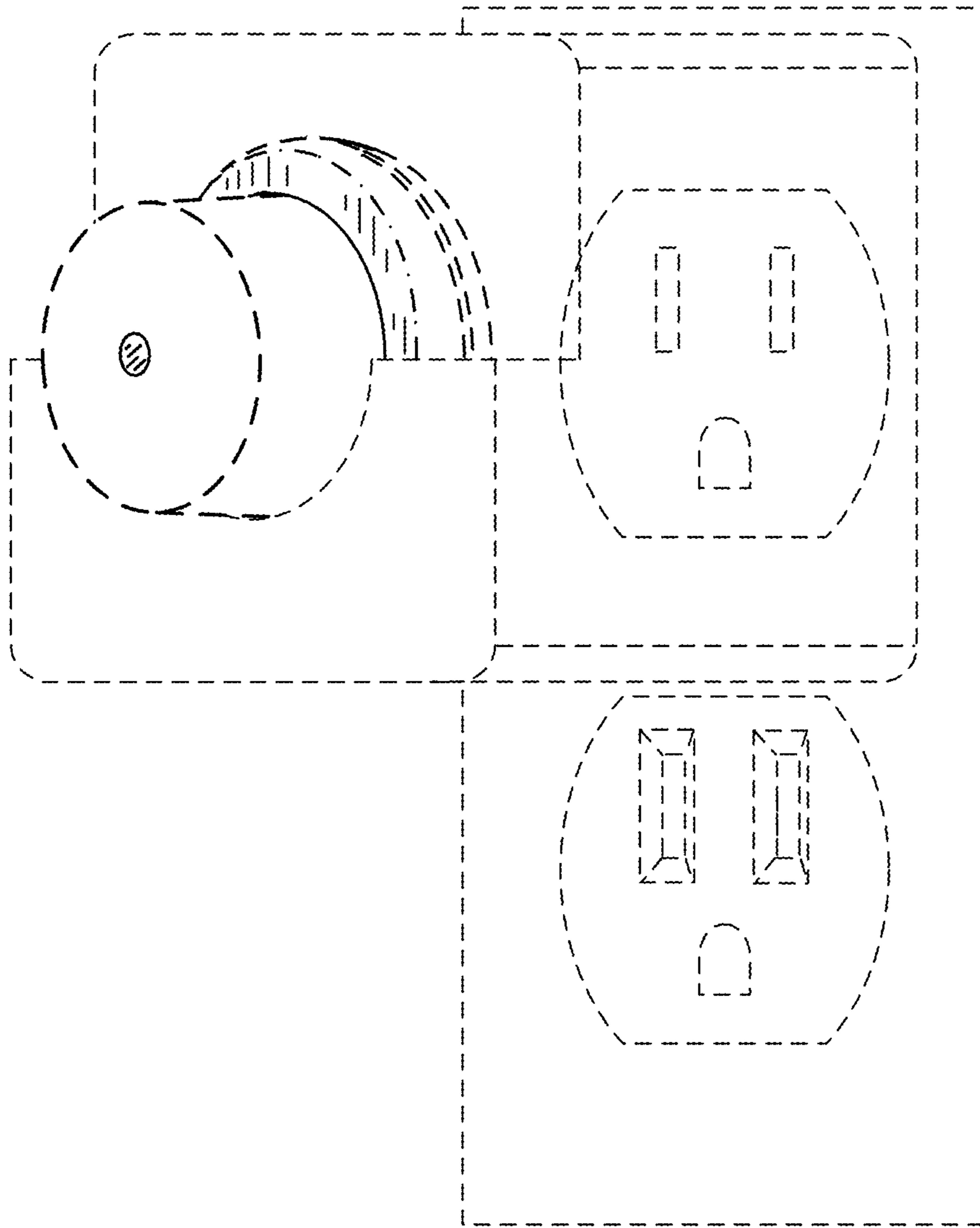


FIG. 7

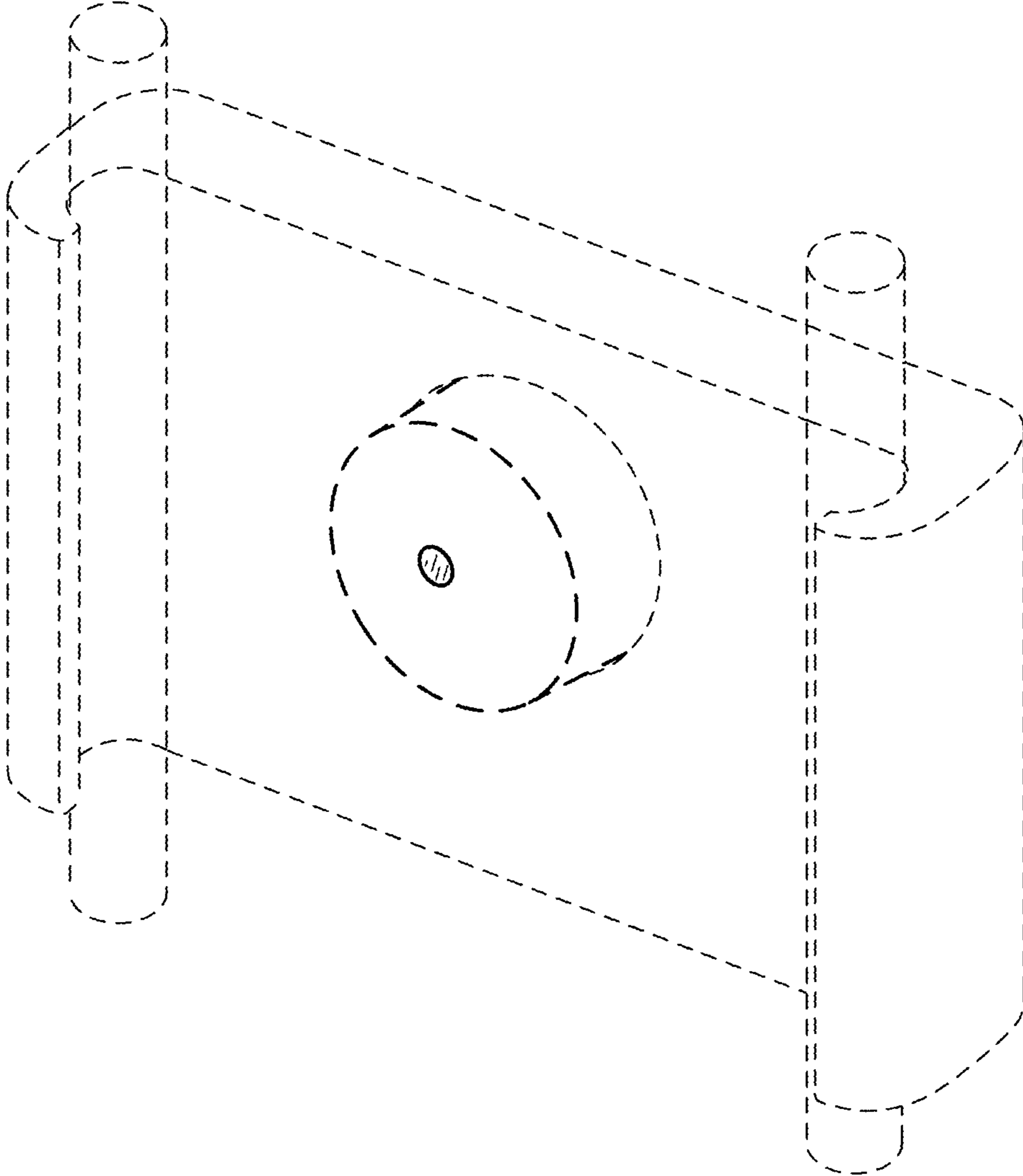


FIG. 8