



US00D826304S

(12) **United States Design Patent** (10) **Patent No.:** **US D826,304 S**
Apothéloz (45) **Date of Patent:** **** Aug. 21, 2018**

(54) **STAND AND PIVOT UNIT**
 (71) Applicant: **Leica Microsystems (Schweiz) AG**,
 Heerbrugg (CH)
 (72) Inventor: **Christophe Apothéloz**, Zurich (CH)
 (73) Assignee: **Leica Microsystems (Schweiz) AG**,
 Heerbrugg (CH)
 (**) Term: **15 Years**

D354,761 S * 1/1995 Komatsuzaki D16/131
 D389,163 S * 1/1998 Hofmann-Igl D16/131
 D400,548 S * 11/1998 Komatsuzaki D16/131
 D425,921 S * 5/2000 Holbl D16/131
 D429,265 S * 8/2000 Holbl D16/131
 D444,159 S * 6/2001 Hoelbl D16/131
 D457,901 S * 5/2002 Lo D16/131
 D498,247 S * 11/2004 Suzuki D16/131
 D507,006 S * 7/2005 Apotheloz D16/131
 D516,595 S * 3/2006 Apotheloz D16/131
 D540,835 S * 4/2007 Apotheloz D16/131
 D546,357 S * 7/2007 Apotheloz D16/135

(Continued)

(21) Appl. No.: **29/542,687**

Primary Examiner — Susan Bennett Hattan

Assistant Examiner — Jennifer M Campbell

(22) Filed: **Oct. 16, 2015**

(74) *Attorney, Agent, or Firm* — Crowell & Moring LLP

(30) **Foreign Application Priority Data**

(57) **CLAIM**

Apr. 17, 2015 (EM) 002683813

The ornamental design for a stand and pivot unit, as shown and described.

(51) **LOC (11) Cl.** **16-06**

DESCRIPTION

(52) **U.S. Cl.**

USPC **D16/131**

(58) **Field of Classification Search**

USPC D16/130–136; D22/100, 108, 109, 110,
 D22/199; 33/297, 298, 227, 299;
 42/111, 112, 113, 122, 130, 134–145,
 42/124; 356/29, 139, 2, 250, 251, 252,
 356/138; 89/41, 19, 161, 200–204;
 350/550; 250/467.1; 359/428, 424

CPC F41G 3/08

See application file for complete search history.

This application contains subject matter related to the following co-pending U.S. design patent applications:

Application Ser. No. 29/542,679, filed herewith and entitled “Microscope Stand”; and

Application Ser. No. 29/542,681, filed herewith and entitled “Microscope Pivot Unit”; and

Application Ser. No. 29/542,684, filed herewith and entitled “Microscope”.

FIG. 1 is a front view of a stand and pivot unit according to the design;

FIG. 2 is a left side view thereof;

FIG. 3 is a right side view thereof;

FIG. 4 is a rear view thereof;

FIG. 5 is a front, left perspective view thereof;

FIG. 6 is a top view thereof; and,

FIG. 7 is a bottom view thereof.

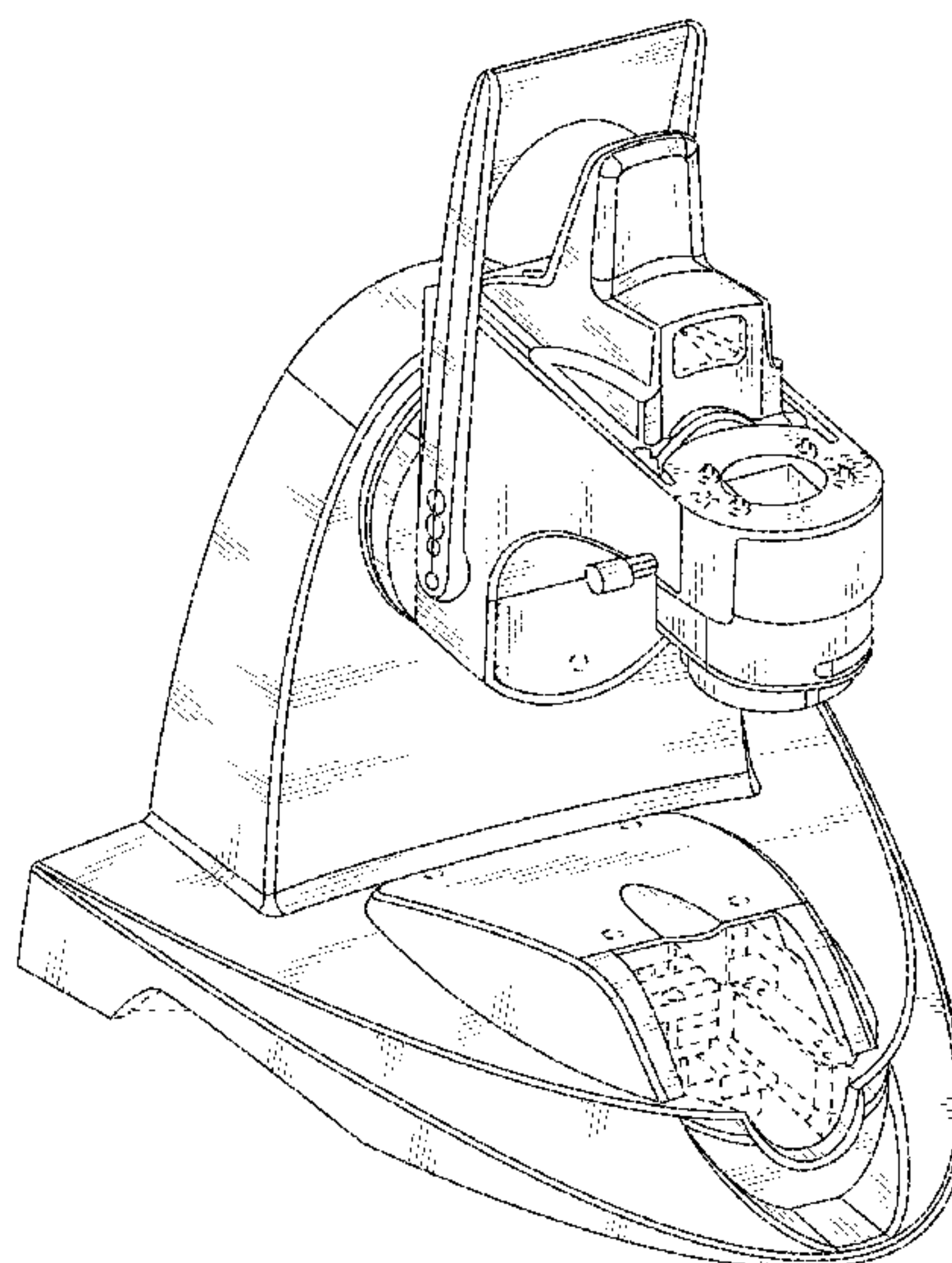
The broken lines are for illustrative purposes only and form no part of the claimed design.

(56) **References Cited**

U.S. PATENT DOCUMENTS

D191,330 S * 9/1961 Armbruster D16/131
 D198,104 S * 4/1964 Armbruster D16/131
 D252,276 S * 7/1979 Griffith D16/131
 D260,402 S * 8/1981 Hodgson D16/131
 D290,129 S * 6/1987 Kahute D16/131
 D291,702 S * 9/1987 Kahute D16/131
 D345,748 S * 4/1994 Holbl D16/131

1 Claim, 7 Drawing Sheets



(56)

References Cited

U.S. PATENT DOCUMENTS

D738,415 S * 9/2015 Hofmann D16/131
D743,463 S * 11/2015 Hofmann D16/131

* cited by examiner

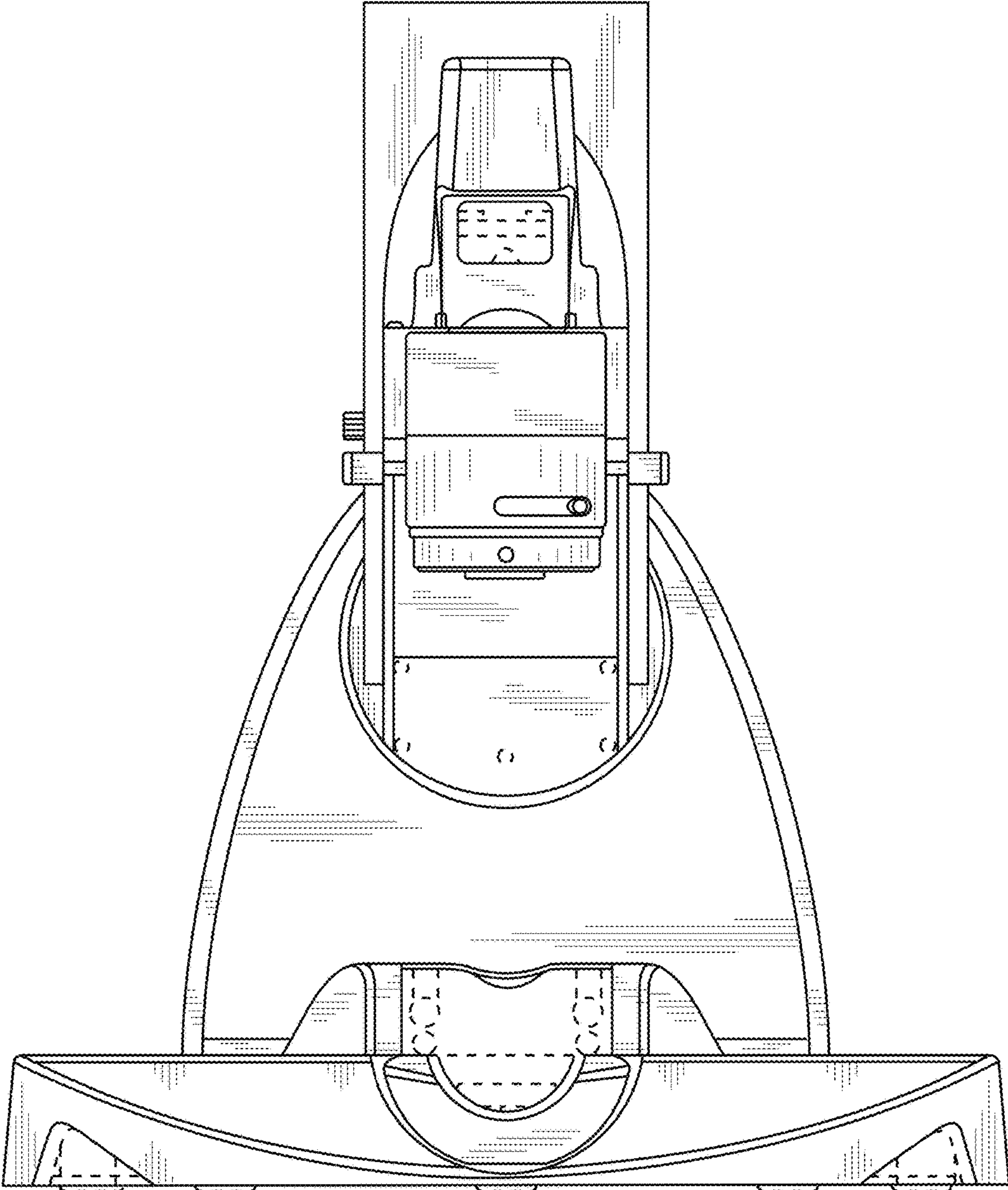


FIG. 1

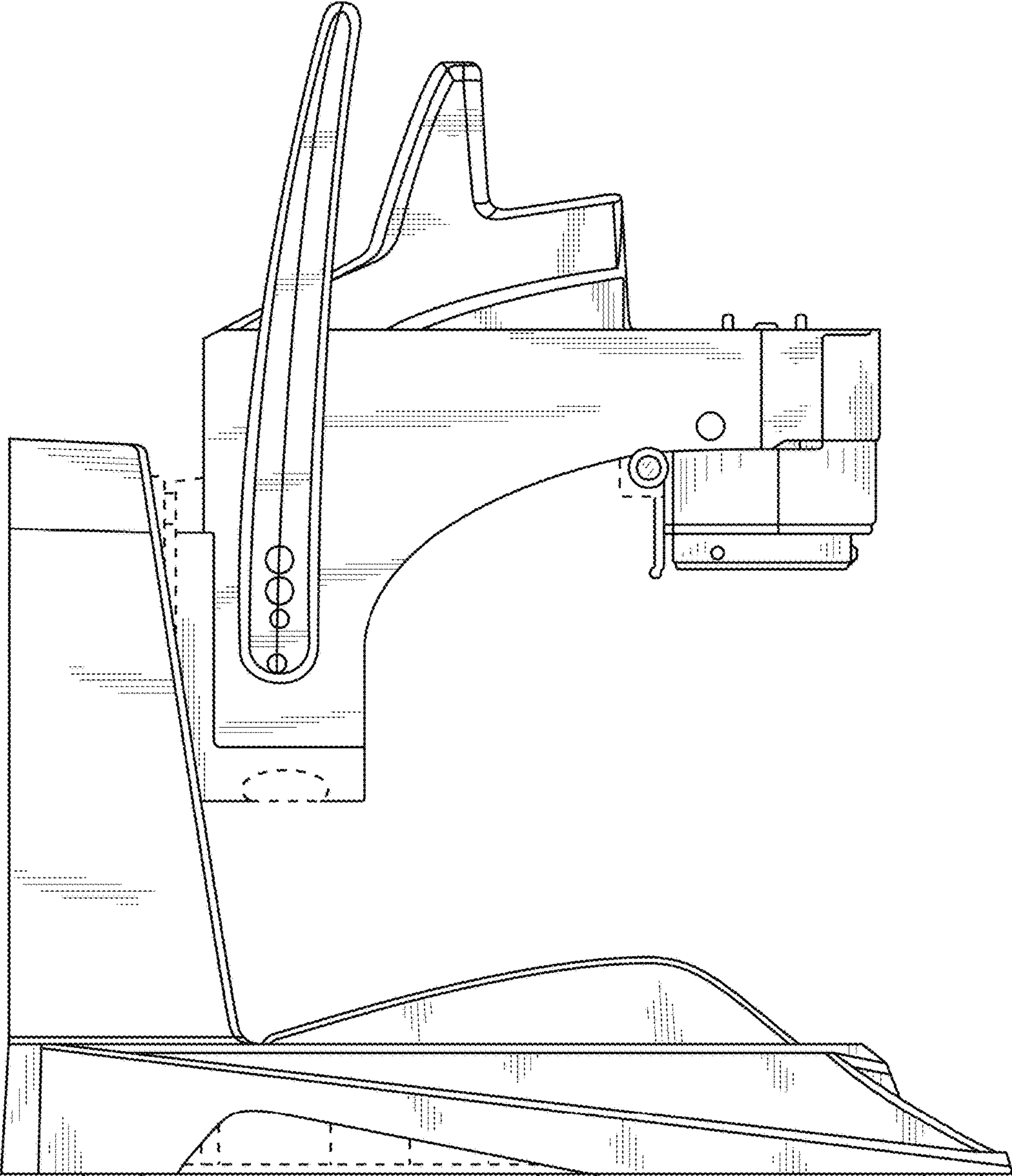


FIG. 2

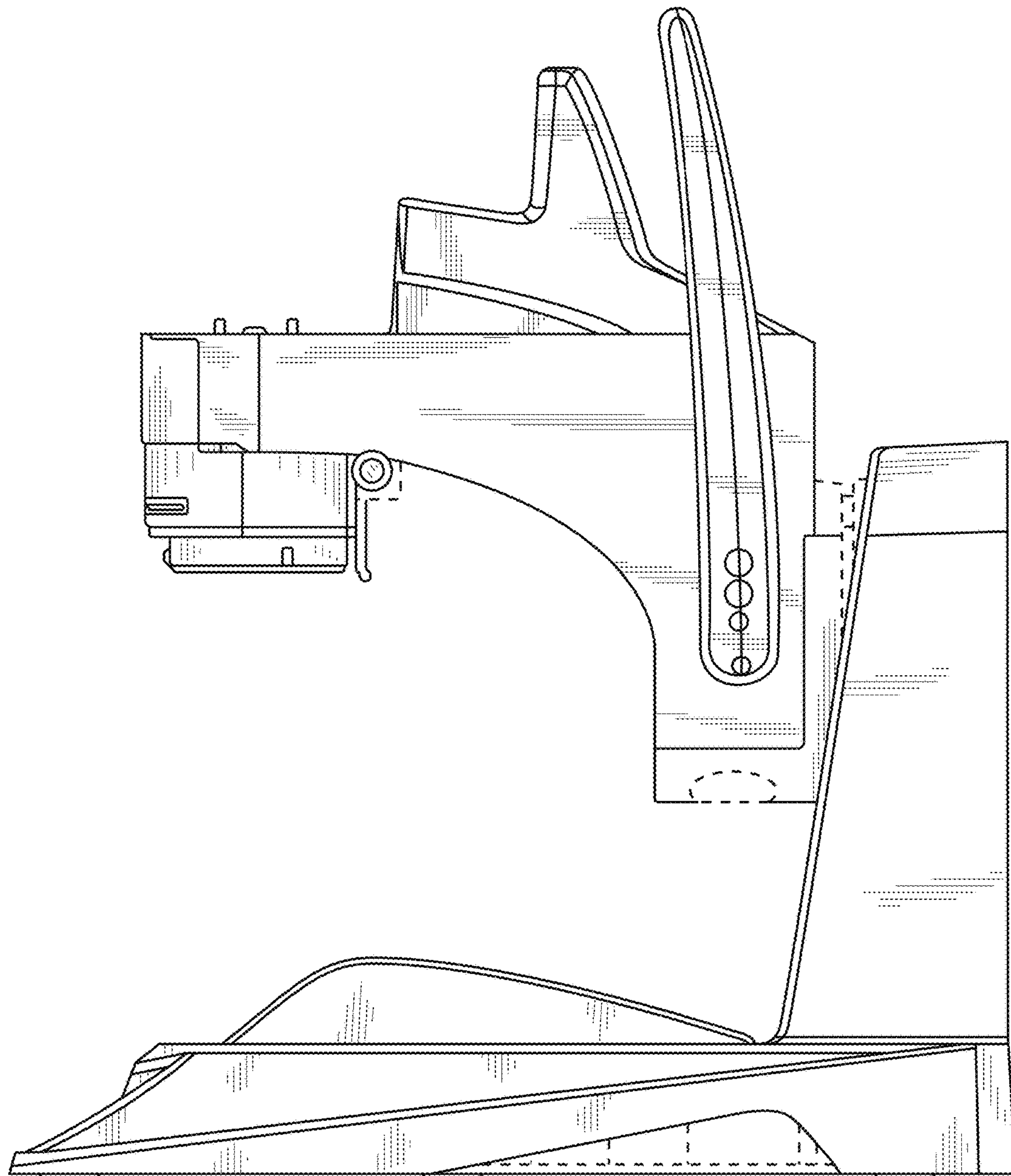


FIG. 3

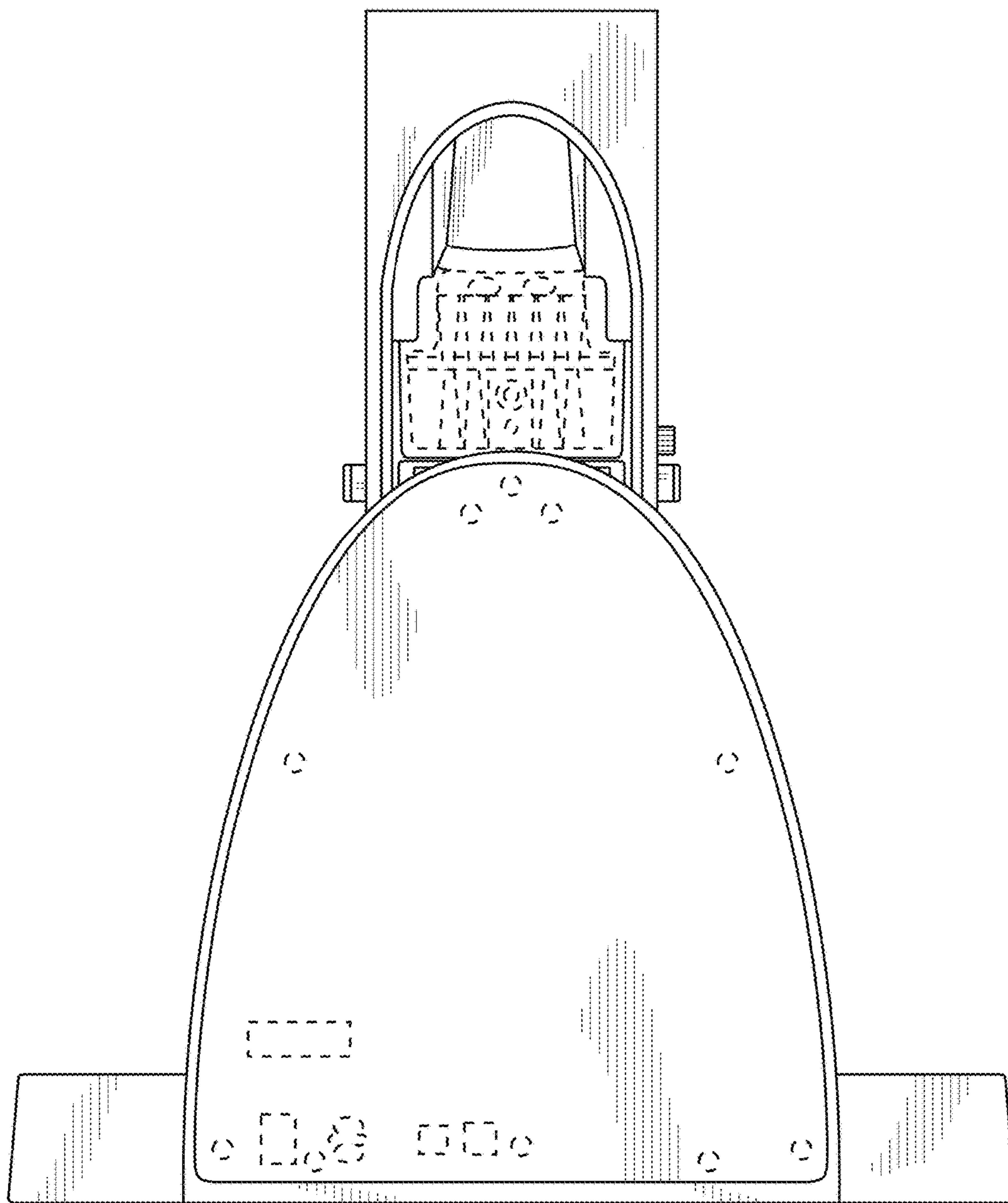


FIG. 4

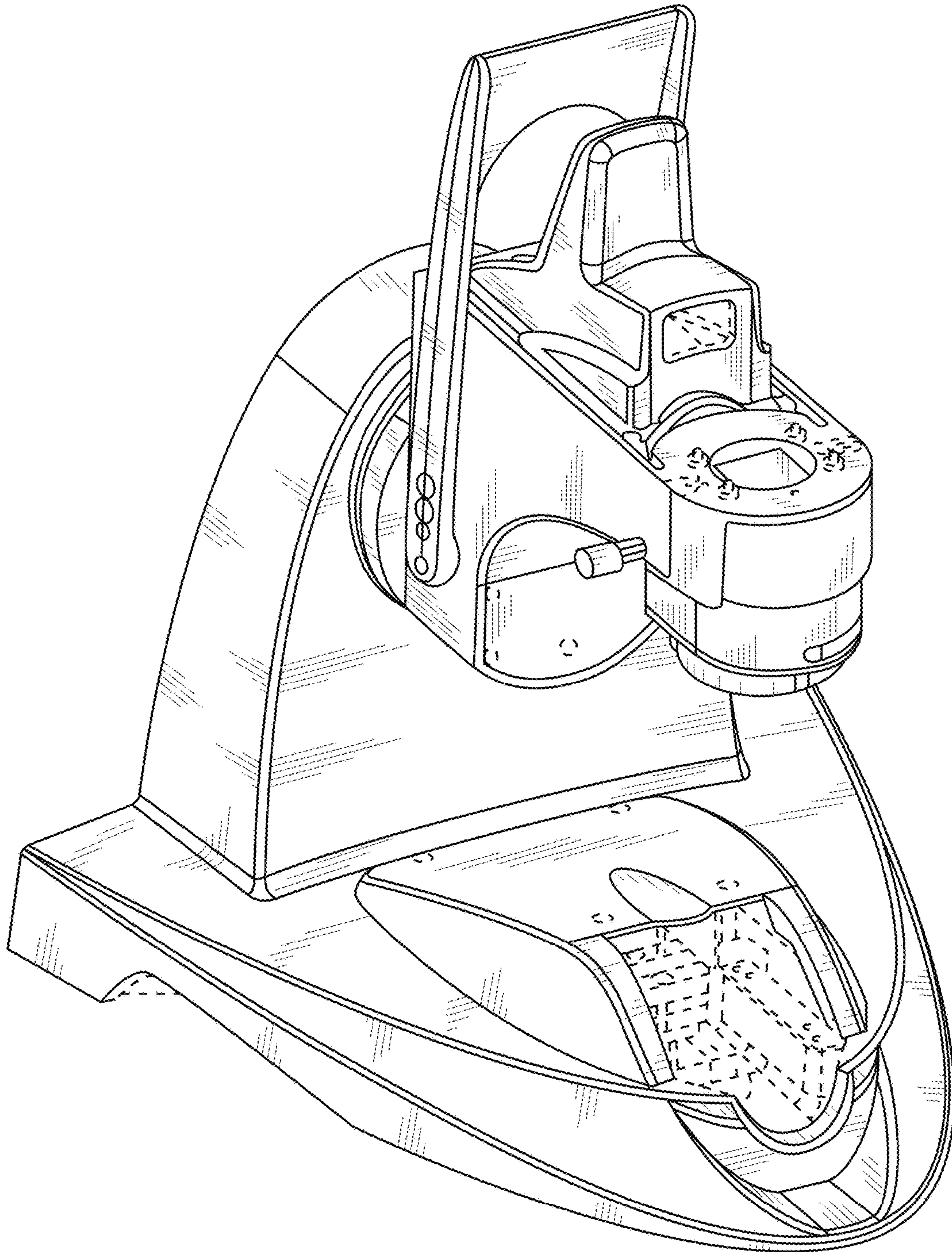


FIG. 5

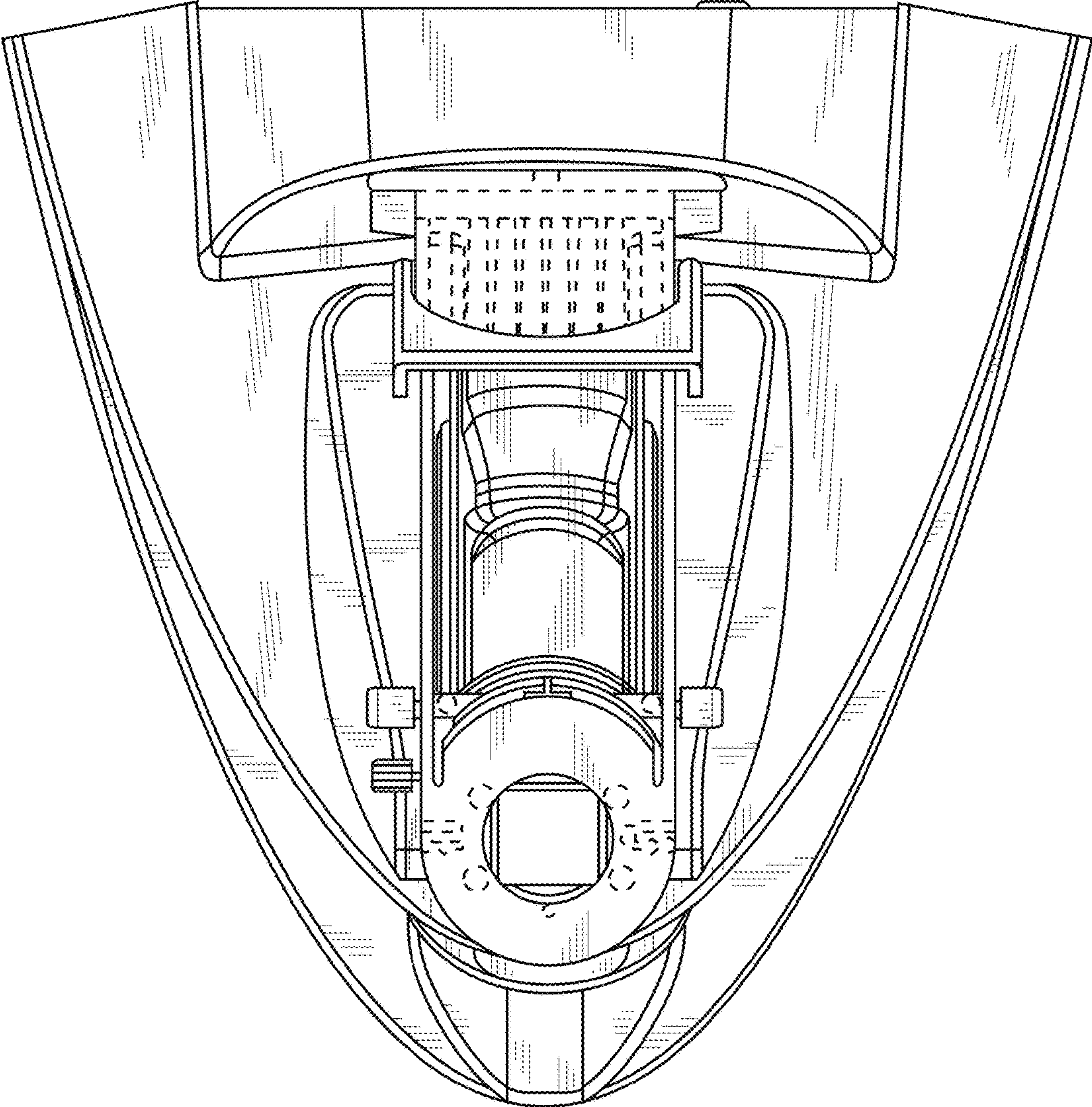


FIG. 6

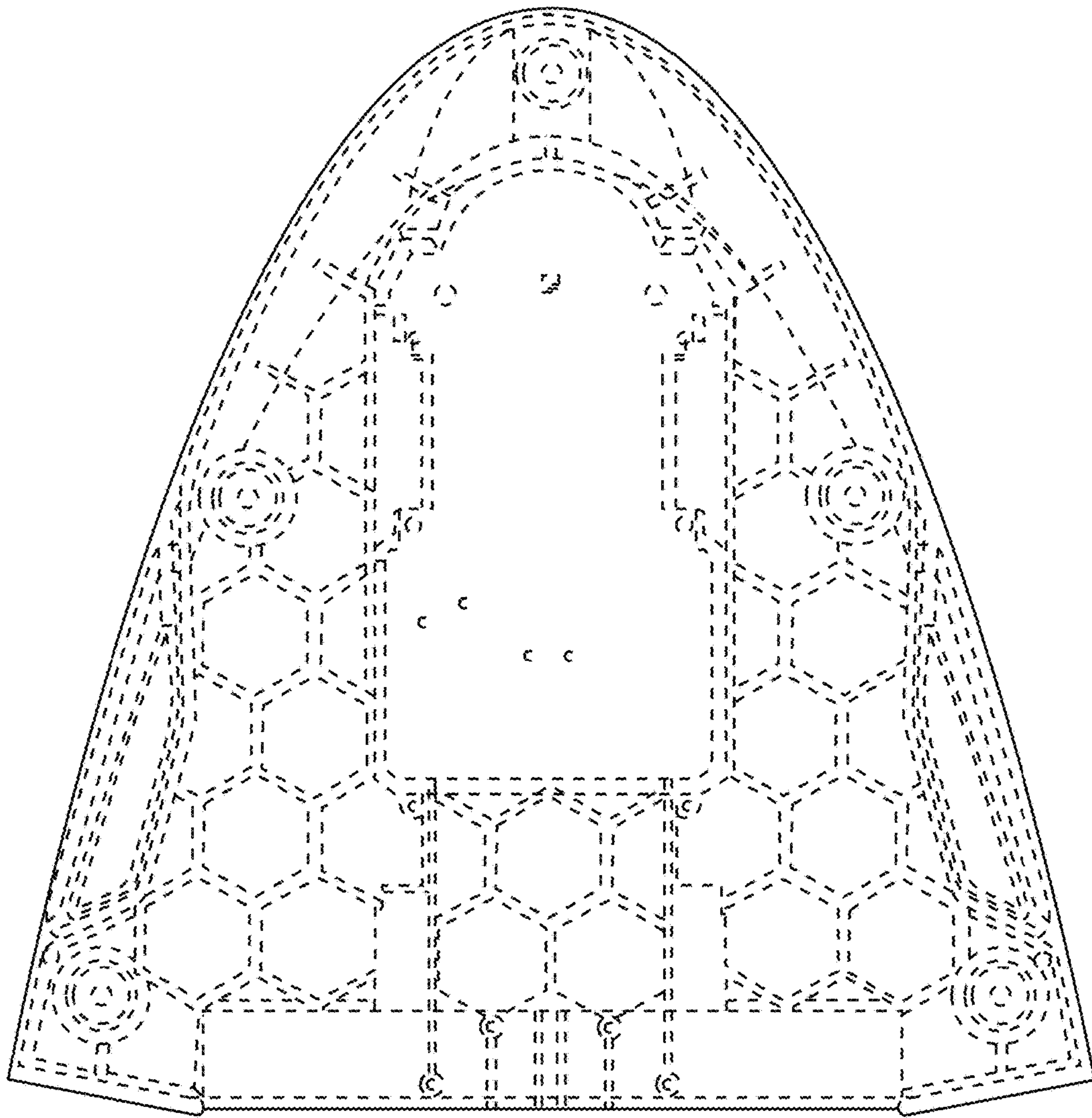


FIG. 7