



US00D826303S

(12) **United States Design Patent** (10) **Patent No.:** **US D826,303 S**
Metta et al. (45) **Date of Patent:** **** Aug. 21, 2018**

(54) **ROBOT**

(56) **References Cited**

(71) Applicant: **FONDAZIONE ISTITUTO ITALIANO DI TECNOLOGIA**, Genoa (IT)
(72) Inventors: **Giorgio Metta**, Genoa (IT); **Alberto Parmiggiani**, Serra Ricco (IT)
(73) Assignee: **FONDAZIONE ISTITUTO ITALIANO DI TECNOLOGIA** (IT)
(**) Term: **15 Years**
(21) Appl. No.: **29/622,448**
(22) Filed: **Oct. 17, 2017**

U.S. PATENT DOCUMENTS

D549,756 S * 8/2007 Park D15/199
D559,288 S 1/2008 Matsuda
D561,211 S * 2/2008 Mitchell D15/199
D561,212 S * 2/2008 Mitchell D15/199
D563,443 S 3/2008 Ahn et al.
D566,737 S 4/2008 Matsuda
D628,609 S * 12/2010 Linn D15/199
D641,808 S * 7/2011 Matsuda D15/199
D677,743 S * 3/2013 Koshiishi D15/199
D701,256 S 3/2014 Song et al.
8,849,679 B2 9/2014 Wang et al.
D719,620 S 12/2014 Clerc

(Continued)

FOREIGN PATENT DOCUMENTS

JP 2009125886 6/2009
WO WO-2004082900 A1 * 9/2004 A63H 11/00

Primary Examiner — Melanie H Tung
Assistant Examiner — Fritzgerald L Butac
(74) *Attorney, Agent, or Firm* — The Belles Group, P.C.

Related U.S. Application Data
(62) Division of application No. 29/581,165, filed on Oct. 17, 2016.

(30) **Foreign Application Priority Data**
Apr. 19, 2016 (EM) 003074913

(51) **LOC (11) Cl.** **15-99**
(52) **U.S. Cl.**
USPC **D15/199**; D21/578

(58) **Field of Classification Search**
USPC D7/300, 305-311, 397-400; D10/16, 22, D10/23, 25, 28; D14/159, 176, 209.1, D14/216, 221, 239, 265, 496, 497, 508, D14/509, 125; D15/10-13, 22, 122, 199; D20/1, 4, 5, 8; D21/578-583, 621-623, D21/592, 593; D23/314, 317, 325, D23/328-330, 332, 333, 349, 351, 367; D32/17, 18, 21, 22, 31-34
CPC A63H 11/00; A63H 2200/00; B25J 9/00; B25J 9/04; B25J 918/00; G06N 3/00; G06N 3/004; G06N 3/008
See application file for complete search history.

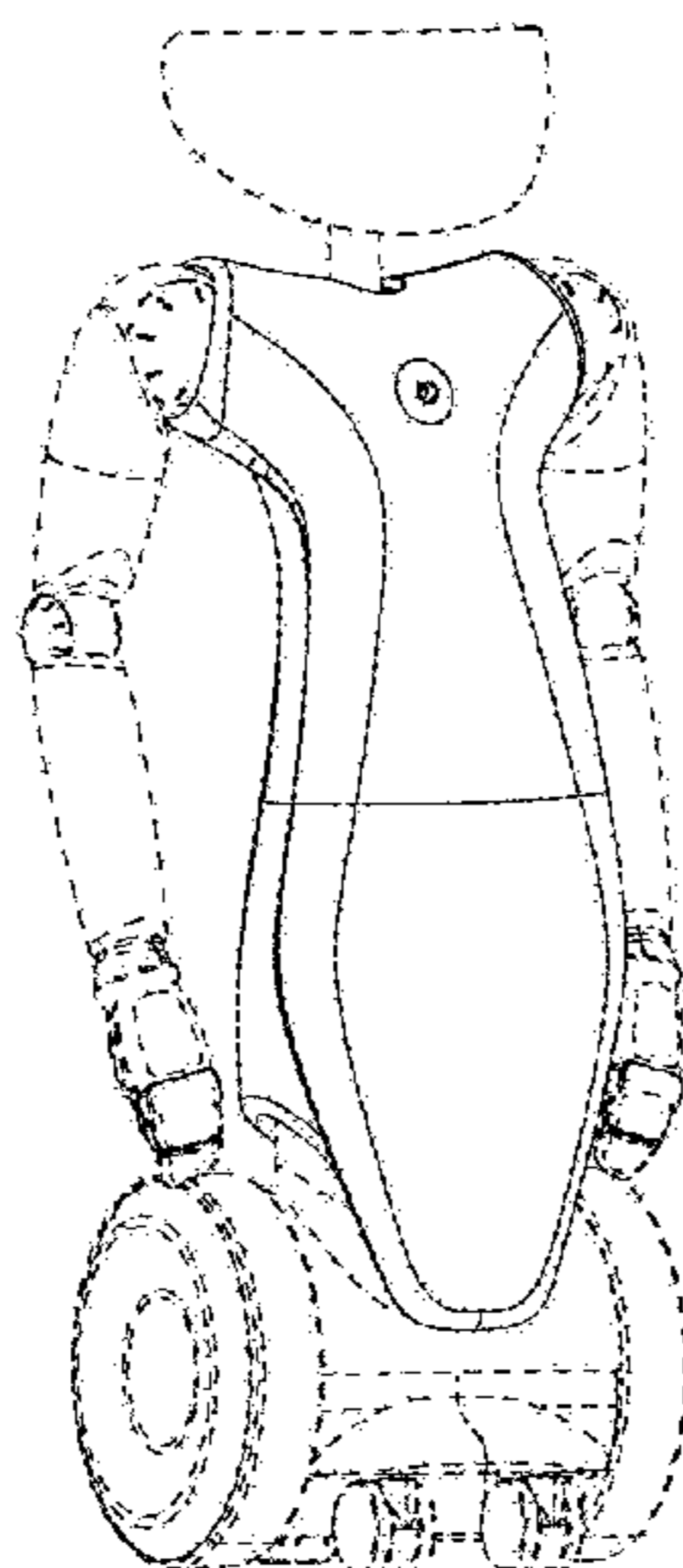
(57) **CLAIM**

The ornamental design for a robot, as shown and described.

DESCRIPTION

FIG. 1 is a front perspective view of a robot in accordance with the present design;
FIG. 2 is a front view thereof;
FIG. 3 is a rear view thereof;
FIG. 4 is a left-side view thereof;
FIG. 5 is a right-side view thereof;
FIG. 6 is a top view thereof; and,
FIG. 7 is a bottom view thereof.
The broken lines show portions of a robot that form no part of the claimed design.

1 Claim, 7 Drawing Sheets



(56)

References Cited

U.S. PATENT DOCUMENTS

| | | | | |
|--------------|------|---------|----------------|----------------------|
| D725,166 | S | 3/2015 | Paik et al. | |
| D726,836 | S | 4/2015 | Song et al. | |
| D770,107 | S * | 10/2016 | Kim | D32/31 |
| D774,148 | S * | 12/2016 | Hong | D21/578 |
| D781,945 | S | 3/2017 | Uno et al. | |
| D794,692 | S * | 8/2017 | Haranaka | D15/199 |
| D795,320 | S * | 8/2017 | Liu | D15/199 |
| D810,167 | S * | 2/2018 | Yang | D15/199 |
| D810,800 | S * | 2/2018 | Wang | D15/199 |
| D811,458 | S * | 2/2018 | Wang | D15/199 |
| 2013/0204436 | A1 * | 8/2013 | Kim | B25J 9/00 700/259 |

* cited by examiner

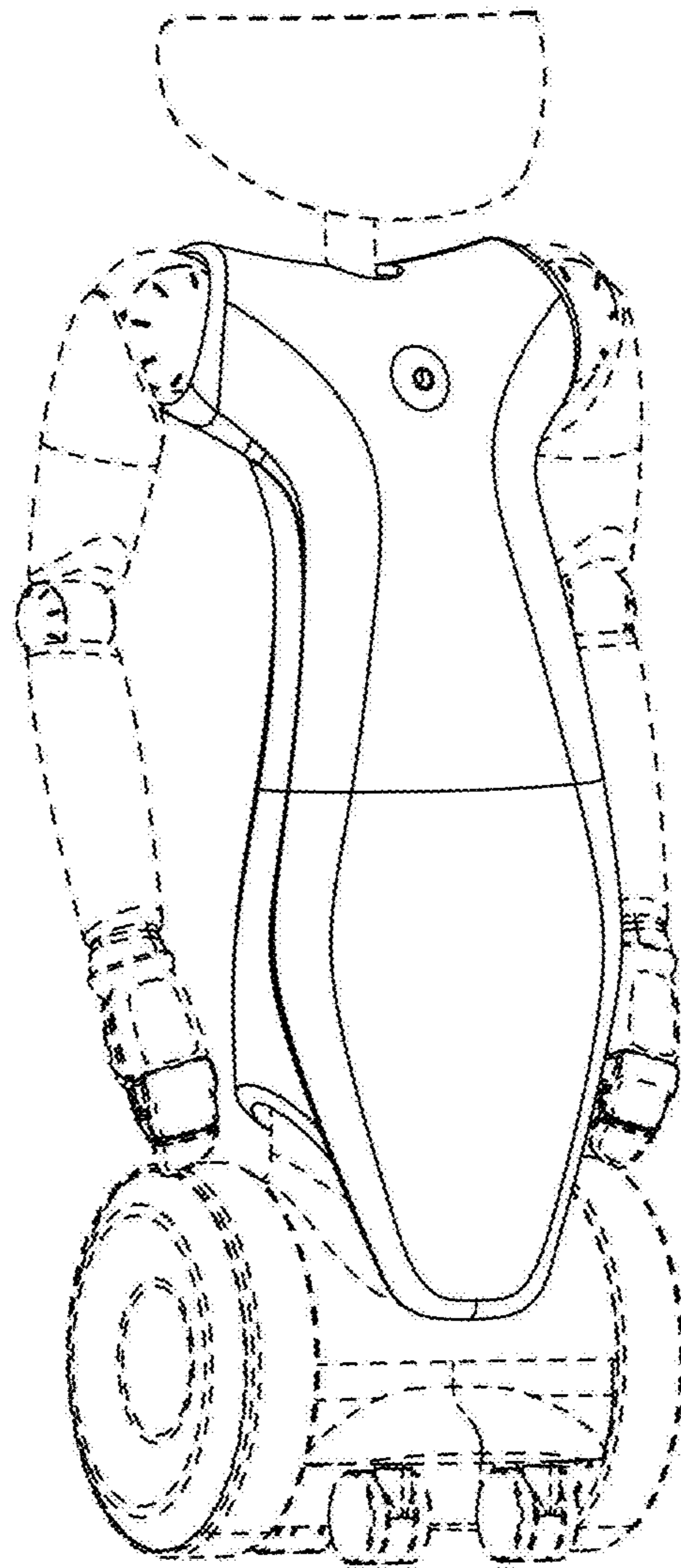


FIG. 1

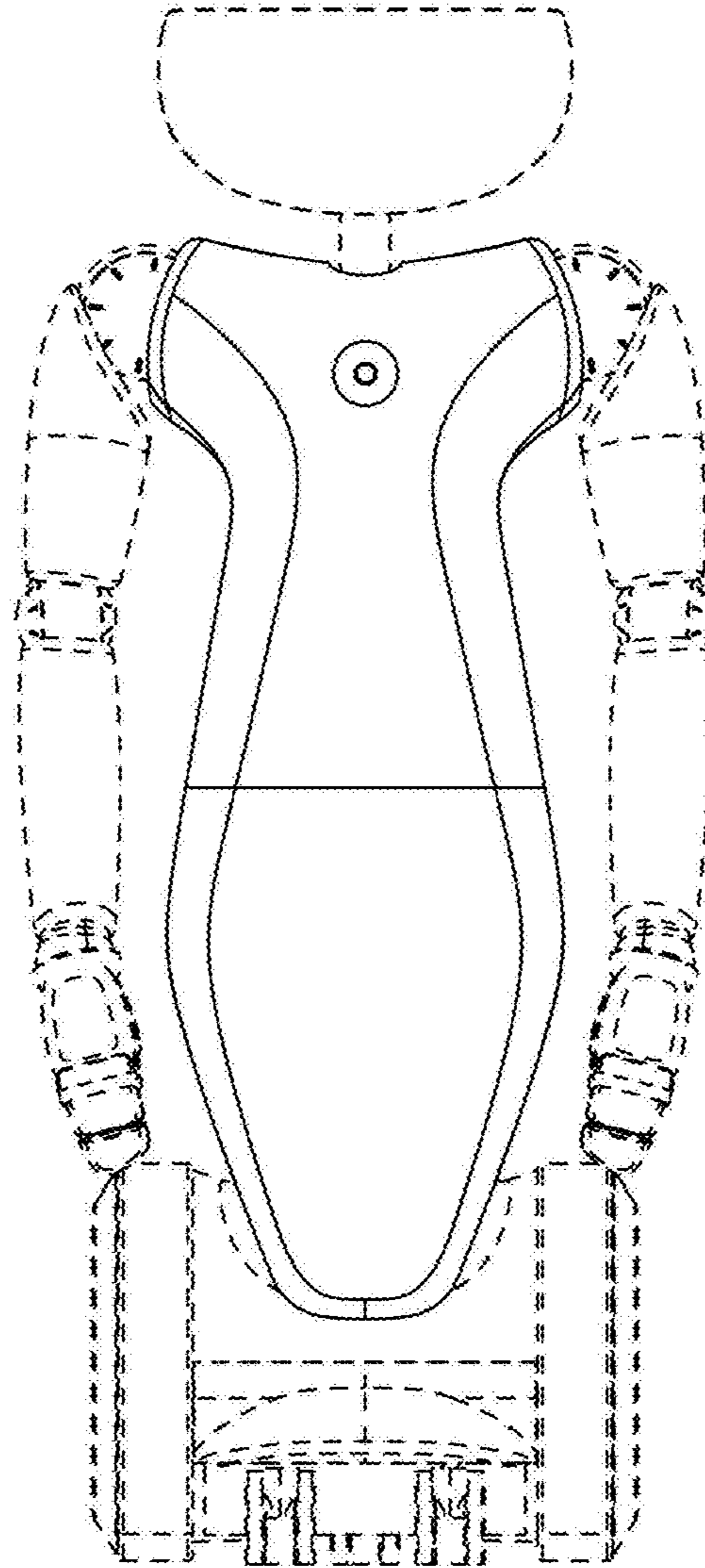


FIG. 2

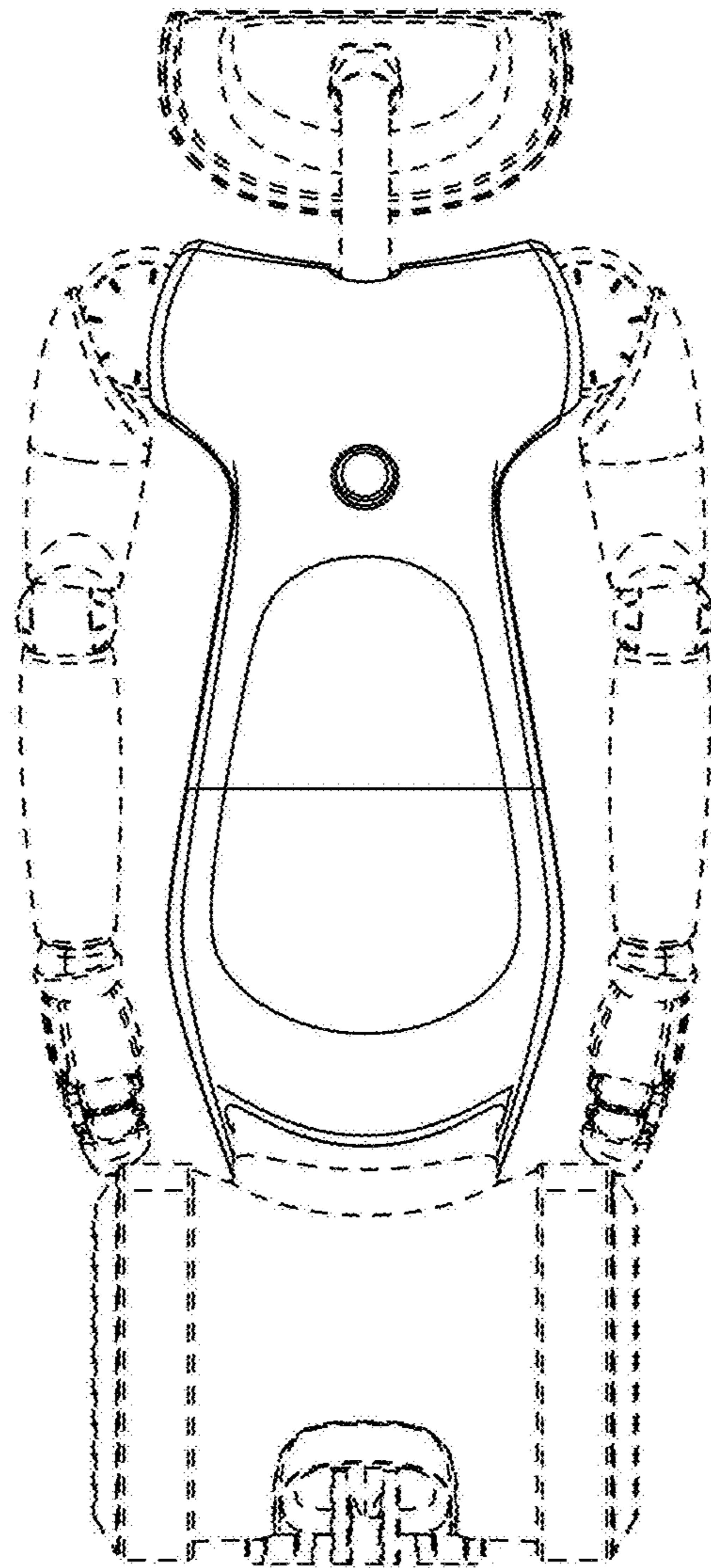


FIG. 3

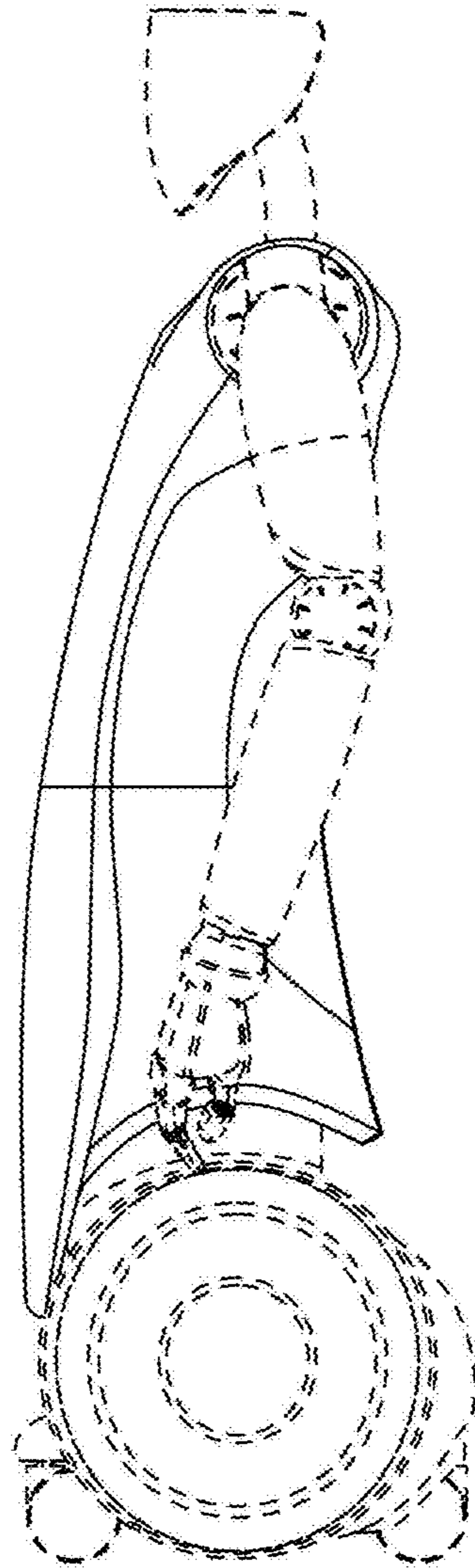


FIG. 4

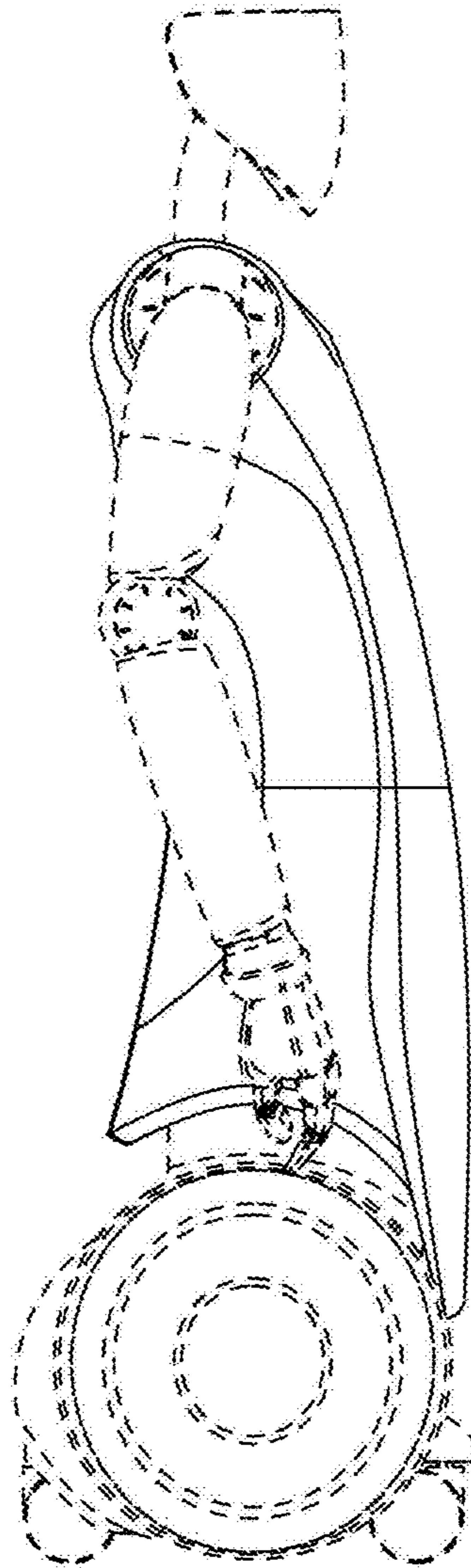


FIG. 5

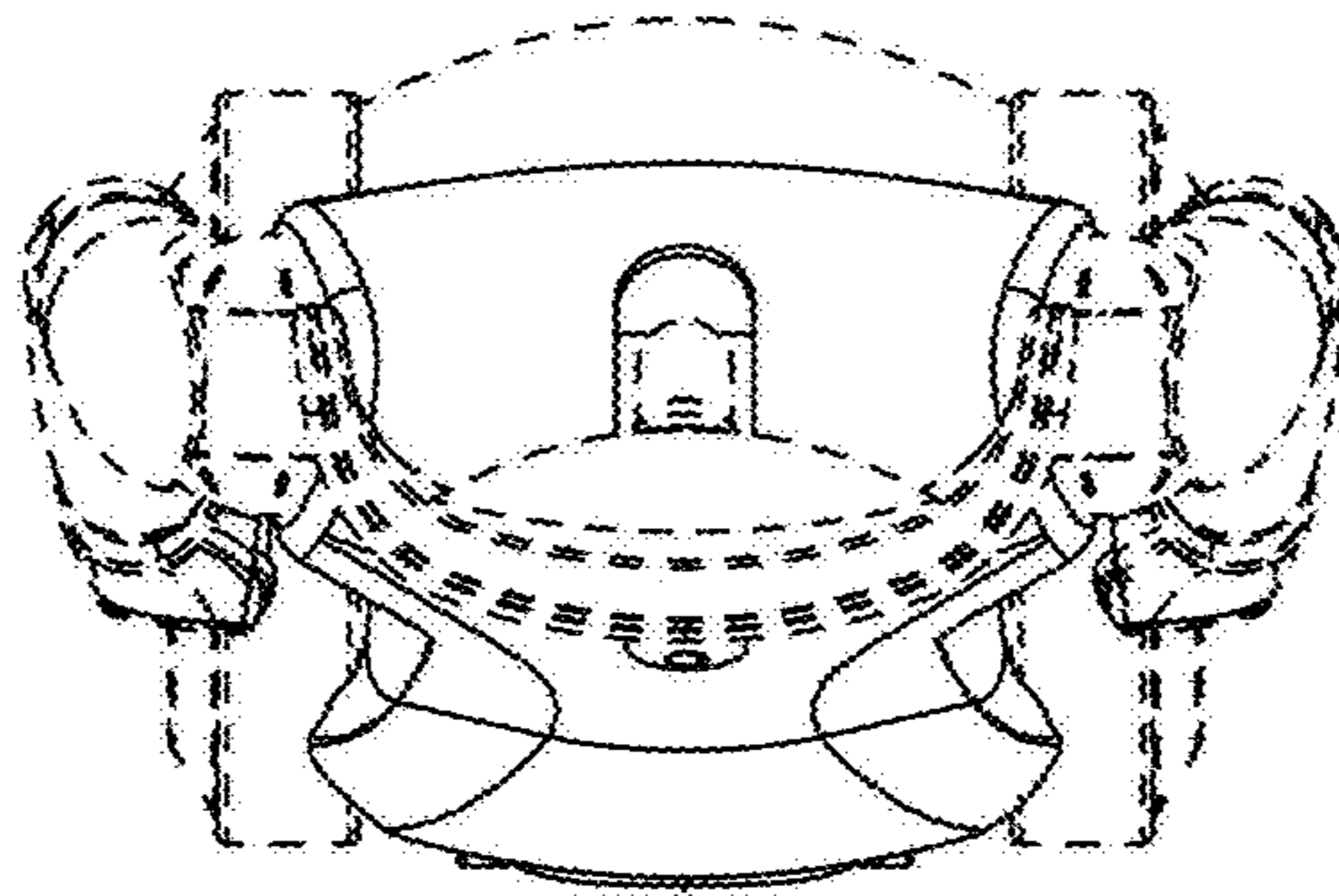


FIG. 6

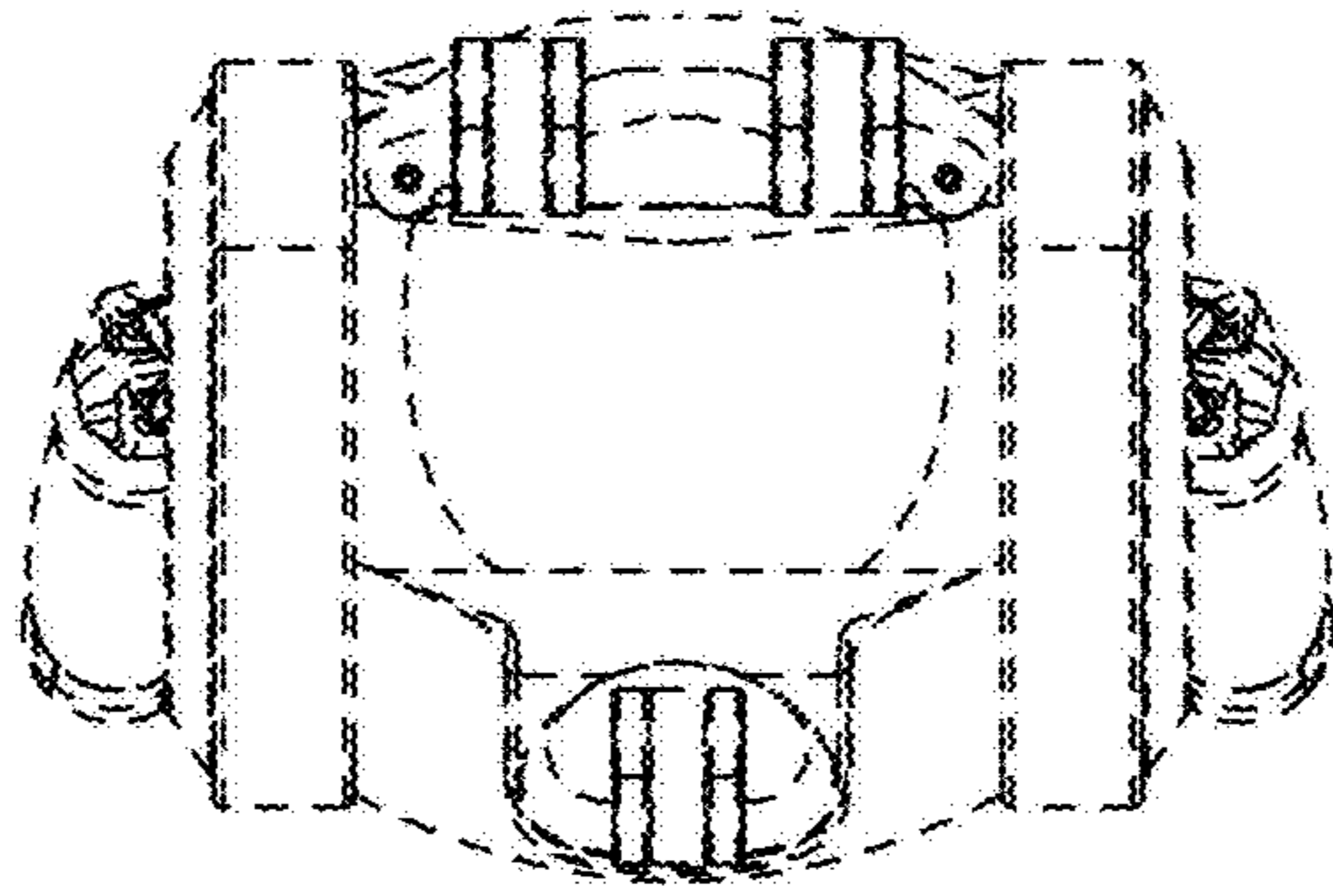


FIG. 7

UNITED STATES PATENT AND TRADEMARK OFFICE
CERTIFICATE OF CORRECTION

PATENT NO. : D826,303 S
APPLICATION NO. : 29/622448
DATED : August 21, 2018
INVENTOR(S) : Giorgio Metta et al.

Page 1 of 1

It is certified that error appears in the above-identified patent and that said Letters Patent is hereby corrected as shown below:

On the Title Page

In the left column, Item (72) (first line), please correct the spelling of the Inventor(s) city:

From:

Genoa (IT)

To:

Genova (IT)

In the left column, Item (72) (second line), please correct the spelling of the Inventor(s) city:

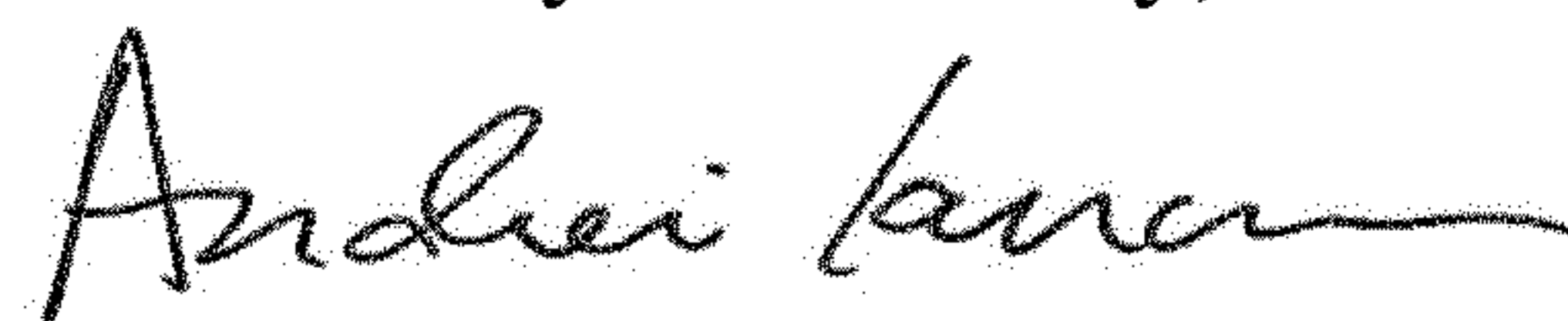
From:

Serra Ricco (IT)

To:

Genova (IT)

Signed and Sealed this
Fifth Day of February, 2019



Andrei Iancu
Director of the United States Patent and Trademark Office